

# Duct Fans VO & VOK series



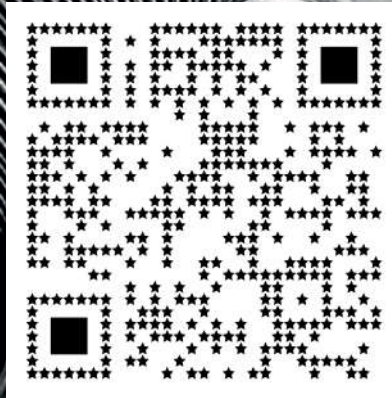
Basic & High Temperature  
Resistant Models





### Trickle Impregnation Technology

- Sealed motor against dust and moisture
- High temperature resistant electric motor
- Maximum isolation characteristics
- Longlivity of the electric motor



**LONG life**  
**30 000h**



Series with double capsulated ball bearings NSK Japan which guarantee 30 000 hours of continuous operation.

The fans from **VOK** and **VO** series are designed to be attached to Ø90, Ø100, Ø120, Ø135 and Ø150 air ducts in ventilation, air conditioning and heating installations.

The fans are available in two versions:

- Standard version (VOK, VO);
- High-temperature resistant version (VOK-T / VO-T) applicable to heating and ventilation systems with airflow's maximum temperature up to 150°C.

The fans are equipped with a built-in silent electric motor with double-encapsulated ball bearings which guarantee 30,000 hours of faultless operation when installed horizontally or vertically.

The body, the turbine, and the back shutter are manufactured from aluminum alloy or **Glass-filled Polyamide** which guarantees efficient cooling and better fire safety.

#### ACCESSORIES



#### • Mounting Bracket

VOK models with assembly openings measuring 100mm, 120mm and 150mm can be equipped with a mounting bracket.



#### • Back Shutter

VOK models with assembly openings measuring 100mm, 120mm and 150mm can be equipped with automatic closing shutter (accessory) preventing the entry of cold air and insects when the fan is switched off.



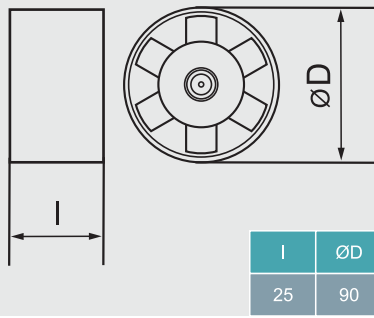
#### • Temperature Sensor

VOK series fans can be fitted with a thermostat to provide a controlled start / stop of the fan in heating installations. Where the airflow needs to be controlled, the fan could be operated by a speed regulator.

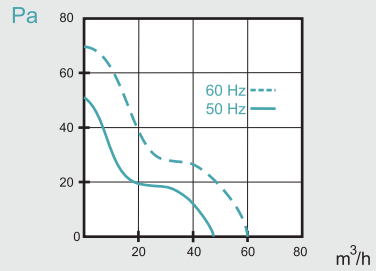
VO / VO-T 90



Dimensions /mm/



Performance curves



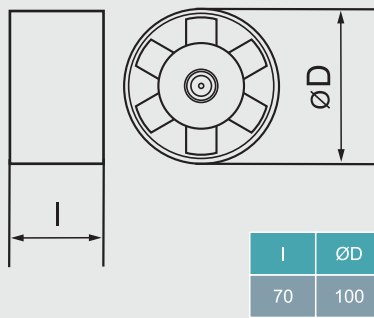
Technical characteristic

Supply Voltage	Maximum Flow Rate	Consumed power	Maximum Flow rate	Max static pressure	Consumed current	Protection Degree	Noise Level	Weight	VO Basic		VO-T High Temp.	
									Max Air t°	Product Code	Max Air t°	Product Code
Hz / V	min <sup>-1</sup>	W	m³/h	Pa	A	IP	dB	Kg	°C	No	°C	No
50 / 230	2500	16	60	50	0,095	44	36	0,200	+60	2006	+150	6820
50 / 115	2500	15	60	50	0,178	44	36	0,200	+60	-	+150	-
50 / 12	2500	16	60	50	2,000	44	36	0,200	+60	-	+150	-
60 / 120	3200	17	70	60	0,160	44	37	0,200	+60	-	+150	-

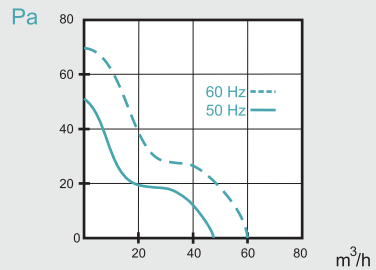
VO / VO-T 100



Dimensions /mm/

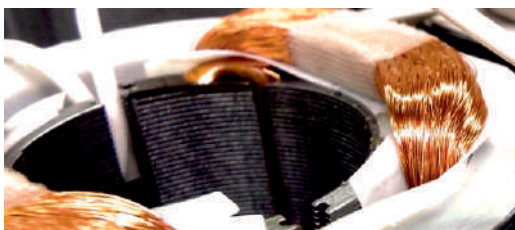


Performance curves



Technical characteristic

Supply Voltage	Maximum Flow Rate	Consumed power	Maximum Flow rate	Max static pressure	Consumed current	Protection Degree	Noise Level	Weight	VO Basic		VO-T High Temp.	
									Max Air t°	Product Code	Max Air t°	Product Code
Hz / V	min <sup>-1</sup>	W	m³/h	Pa	A	IP	dB	Kg	°C	No	°C	No
50 / 230	2500	16	60	50	0,095	44	36	0,230	+60	2013	+150	8794
50 / 115	2500	15	60	50	0,178	44	36	0,230	+60	-	+150	-
50 / 12	2500	16	60	50	2,000	44	36	0,230	+60	-	+150	-
60 / 120	3200	17	70	60	0,160	44	37	0,230	+60	-	+150	-



Trickle Impregnation Technology

- Sealed motor against dust and moisture
- Maximum isolation characteristics
- Longevity of the electric motor

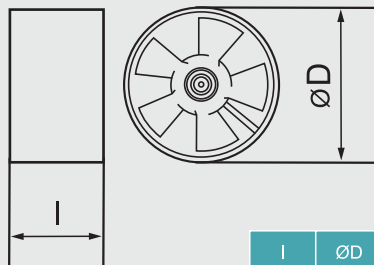


Products without a code are custom made.

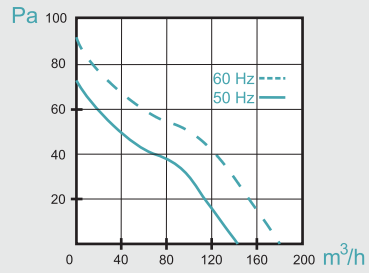
VO / VO-T 120

Dimensions /mm/

Performance curves



l	ØD
40	120



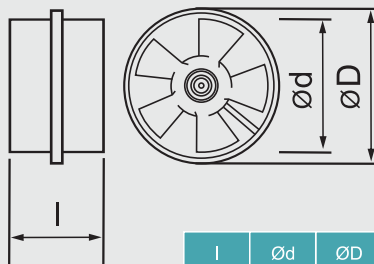
Technical characteristic

Supply Voltage	Maximum Flow Rate	Consumed power	Maximum Flow rate	Max static pressure	Consumed current	Protection Degree	Noise Level	Weight	VO Basic		VO-T High Temp.	
									Max Air t°	Product Code	Max Air t°	Product Code
Hz / V	min <sup>-1</sup>	W	m³/h	Pa	A	IP	dB	Kg	°C	No	°C	No
50 / 230	2650	18	150	75	0,125	44	39	0,480	+60	2051	+150	2396
50 / 115	2650	17	150	75	0,234	44	39	0,480	+60	-	+150	-
50 / 12	2650	18	150	75	2,000	44	39	0,480	+60	-	+150	-
60 / 120	3200	19	175	90	0,210	44	42	0,480	+60	-	+150	-

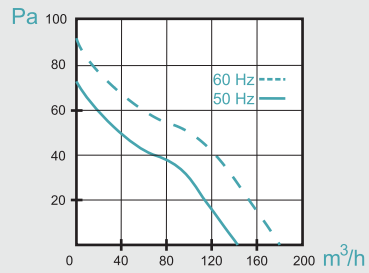
VO / VO-T120 With Ring

Dimensions /mm/

Performance curves

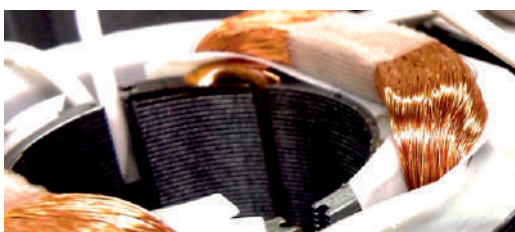


l	Ød	ØD
40	100	120



Technical characteristic

Supply Voltage	Maximum Flow Rate	Consumed power	Maximum Flow rate	Max static pressure	Consumed current	Protection Degree	Noise Level	Weight	VO Basic		VO-T High Temp.	
									Max Air t°	Product Code	Max Air t°	Product Code
Hz / V	min <sup>-1</sup>	W	m³/h	Pa	A	IP	dB	Kg	°C	No	°C	No
50 / 230	2650	18	150	75	0,125	44	39	0,500	+60	2075	+150	2648
50 / 115	2650	17	150	75	0,234	44	39	0,500	+60	-	+150	-
50 / 12	2650	18	150	75	2,000	44	39	0,500	+60	-	+150	-
60 / 120	3200	19	175	90	0,210	44	42	0,500	+60	-	+150	-



Trickle Impregnation Technology

- Sealed motor against dust and moisture
- Maximum isolation characteristics
- Longevity of the electric motor



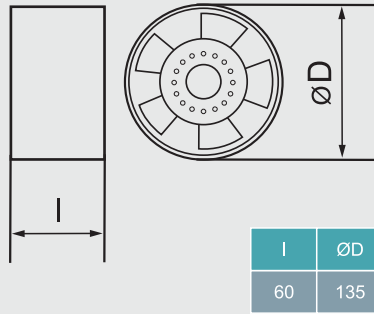
Products without a code are custom made.



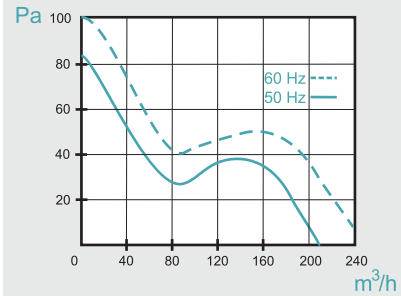
VO / VO-T 135



Dimensions /mm/



Performance curves



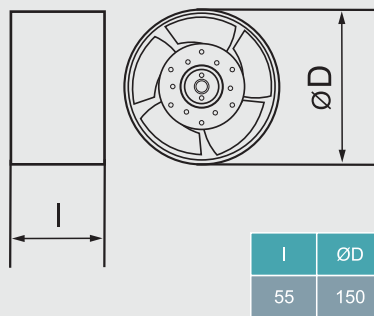
Technical characteristic

Supply Voltage	Maximum Flow Rate	Consumed power	Maximum Flow rate	Max static pressure	Consumed current	Protection Degree	Noise Level	Weight	VO Basic		VO-T High Temp.	
									Max Air t°	Product Code	Max Air t°	Product Code
Hz / V	min <sup>-1</sup>	W	m³/h	Pa	A	IP	dB	Kg	°C	No	°C	No
50 / 230	2650	42	205	85	0,340	44	41	1,180	+60	2099	+150	2402
50 / 115	2650	42	205	85	0,680	44	41	1,180	+60	-	+150	-
50 / 12	2650	42	205	85	3,000	44	41	1,180	+60	-	+150	-
60 / 120	3360	51	250	100	0,701	44	47	1,180	+60	-	+150	-

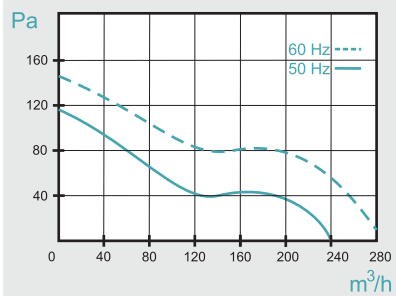
VO / VO-T 150



Dimensions /mm/

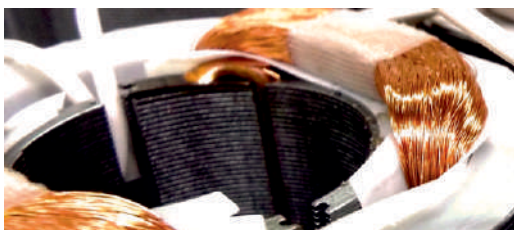


Performance curves



Technical characteristic

Supply Voltage	Maximum Flow Rate	Consumed power	Maximum Flow rate	Max static pressure	Consumed current	Protection Degree	Noise Level	Weight	VO Basic		VO-T High Temp.	
									Max Air t°	Product Code	Max Air t°	Product Code
Hz / V	min <sup>-1</sup>	W	m³/h	Pa	A	IP	dB	Kg	°C	No	°C	No
50 / 230	2650	46	240	110	0,385	44	51	1,060	+60	2105	+150	2419
50 / 115	2650	45	240	110	0,721	44	51	1,060	+60	-	+150	-
50 / 12	2650	46	240	110	3,500	44	51	1,060	+60	-	+150	-
60 / 120	3320	54	275	130	0,714	44	53	1,060	+60	-	+150	-



Trickle Impregnation Technology

- Sealed motor against dust and moisture
- Maximum isolation characteristics
- Longlivity of the electric motor



Products without a code are custom made.

VOK 120/100



LONG life  
30.000h



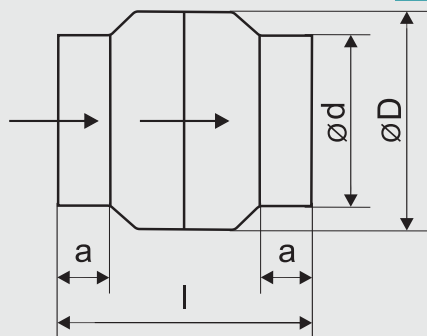
Back Shutter



Mounting Bracket

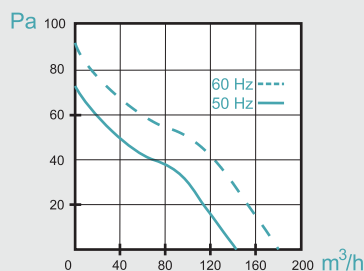


Dimensions /mm/



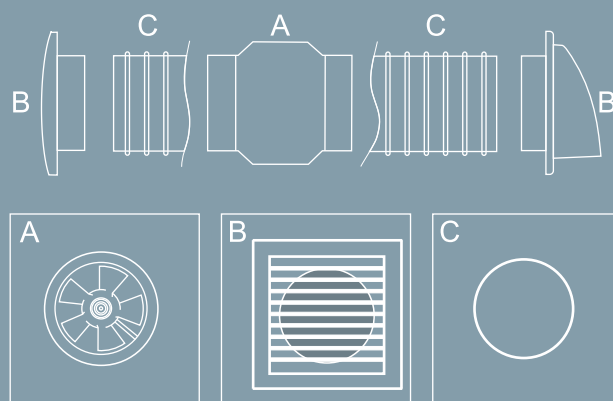
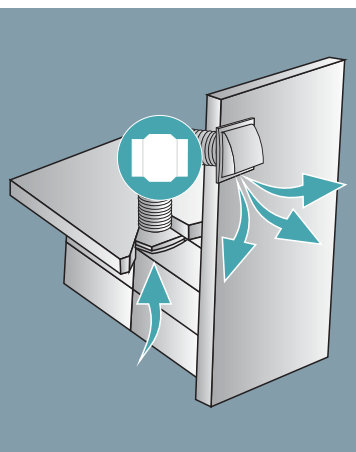
Type	a	l	Ød	ØD
120/100	28	130	100	120

Performance curves



Technical characteristic

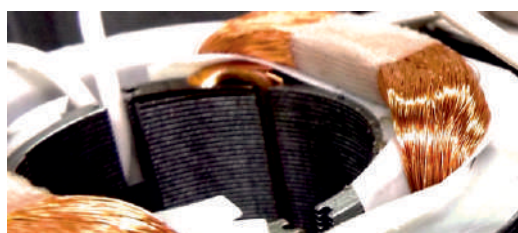
Supply Voltage	Maximum Flow Rate	Consumed power	Maximum Flow rate	Max static pressure	Consumed current	Protection Degree	Noise Level	Weight	Max Air t°	Product Code	With Back Shutter Accessory
Hz / V	min <sup>-1</sup>	W	m³/h	Pa	A	IP	dB	Kg	°C	No	No
50 / 230	2650	18	150	75	0,125	44	39	0,620	+60	2112	2129
50 / 115	2650	17	150	75	0,234	44	39	0,620	+60	-	7438
50 / 12	2650	18	150	75	2,000	44	39	0,620	+60	-	-
60 / 120	3200	19	175	90	0,210	44	42	0,620	+60	-	-



MOUNTING BRACKET

Product Code

-  
-  
-  
-



Trickle Impregnation Technology

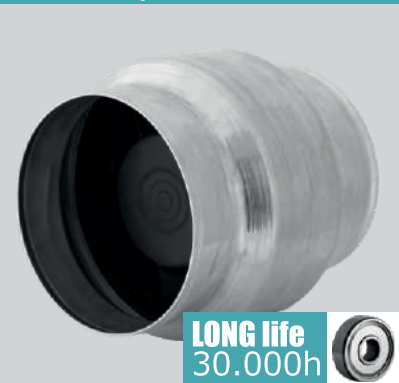
- Sealed motor against dust and moisture
- Maximum isolation characteristics
- Longevity of the electric motor



- All VOK series fans can be produced with length "l" to suit most specific requirements of our customers.
- All fans can be manufactured to operate at 60 Hz frequency, without significant change in the remaining characteristics.

- Products without a code are custom made.

VOK 120/110



LONG life  
30.000h



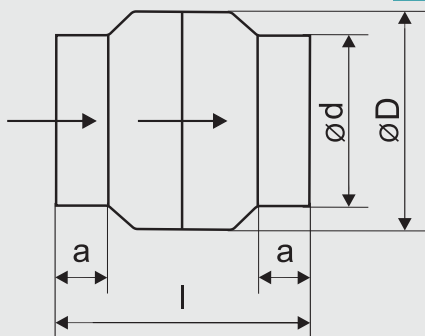
Back Shutter



Mounting Bracket

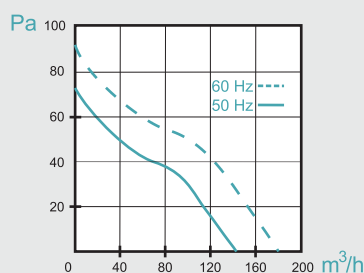


Dimensions /mm/



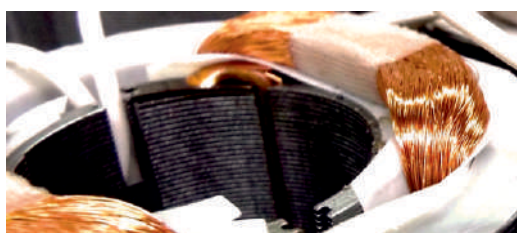
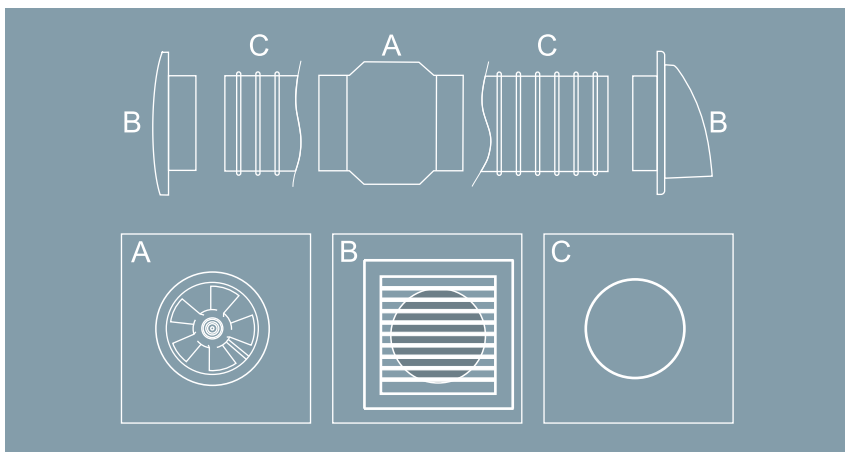
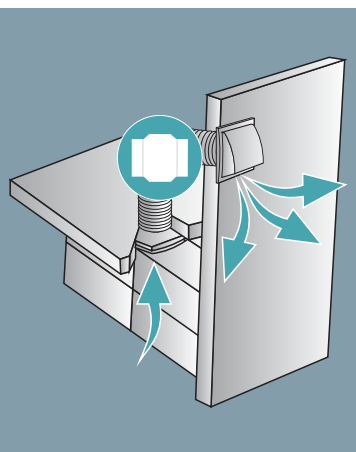
Type	a	l	Ød	ØD
120/110	35	135	110	120

Performance curves



Technical characteristic

Supply Voltage	Maximum Flow Rate	Consumed power	Maximum Flow rate	Max static pressure	Consumed current	Protection Degree	Noise Level	Weight	Max Air t°	Product Code	Mounting Bracket
Hz / V	min <sup>-1</sup>	W	m³/h	Pa	A	IP	dB	Kg	°C	No	No
50 / 230	2650	18	150	75	0,125	44	39	0,620	+60	2136	-
50 / 115	2650	17	150	75	0,234	44	39	0,620	+60	-	-
50 / 12	2650	18	150	75	2,000	44	39	0,620	+60	-	-
60 / 120	3200	19	175	90	0,210	44	42	0,620	+60	-	-



Trickle Impregnation Technology

- Sealed motor against dust and moisture
- Maximum isolation characteristics
- Longevity of the electric motor



- All VOK series fans can be produced with length "l" to suit most specific requirements of our customers.
- All fans can be manufactured to operate at 60 Hz frequency, without significant change in the remaining characteristics.

• Products without a code are custom made.

VOK 135/100



**LONG life**  
30.000h



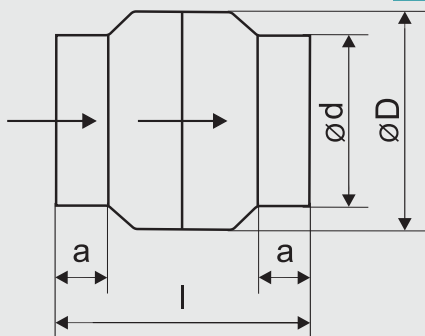
Back Shutter



Mounting Bracket

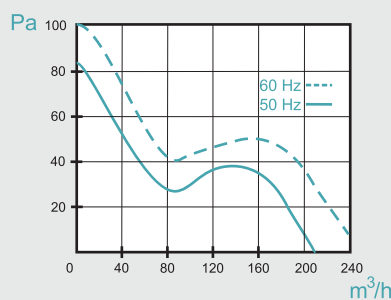


Dimensions /mm/



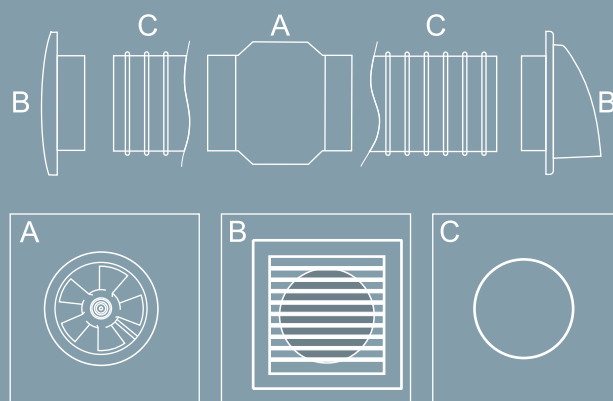
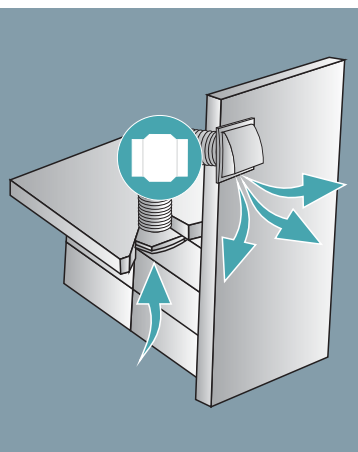
Type	a	l	Ød	ØD
135/100	27	145	100	135

Performance curves



Technical characteristic

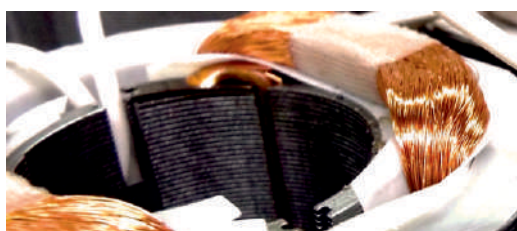
Supply Voltage	Maximum Flow Rate	Consumed power	Maximum Flow rate	Max static pressure	Consumed current	Protection Degree	Noise Level	Weight	Max Air t°	Product Code	With Back Shutter Accessory
Hz / V	min <sup>-1</sup>	W	m³/h	Pa	A	IP	dB	Kg	°C	No	No
50 / 230	2650	42	205	85	0,340	44	41	1,340	+60	2709	2730
50 / 115	2650	42	205	85	0,680	44	41	1,340	+60	-	-
50 / 12	2650	42	205	85	3,000	44	41	1,340	+60	-	-
60 / 120	3360	51	250	100	0,701	44	47	1,340	+60	-	-



MOUNTING BRACKET

Product Code

- 
- 
- 
- 



Trickle Impregnation Technology

- Sealed motor against dust and moisture
- Maximum isolation characteristics
- Longevity of the electric motor



- All VOK series fans can be produced with length "l" to suit most specific requirements of our customers.
- All fans can be manufactured to operate at 60 Hz frequency, without significant change in the remaining characteristics.

- Products without a code are custom made.



VOK 135/110



**LONG life**  
30.000h



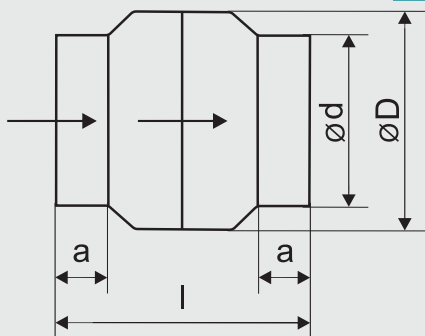
Back Shutter



Mounting Bracket

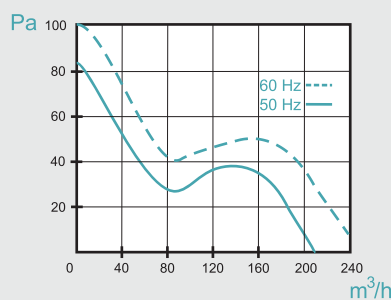


Dimensions /mm/



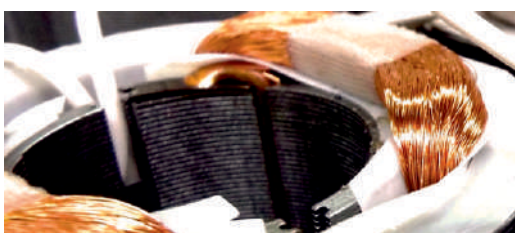
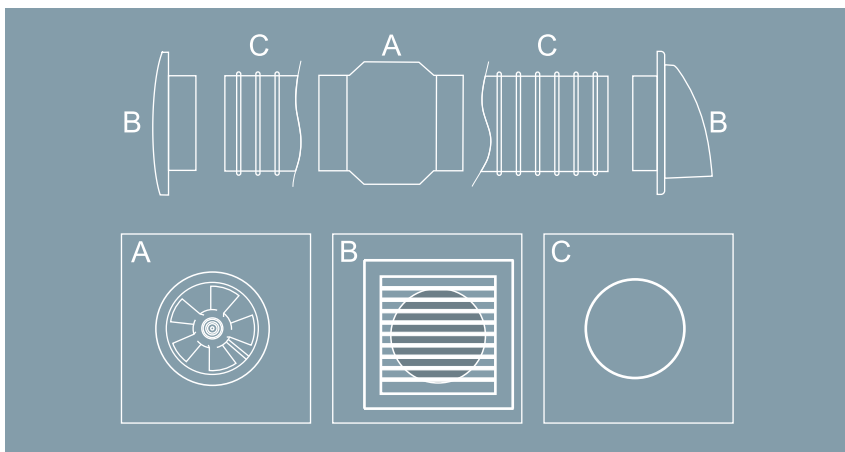
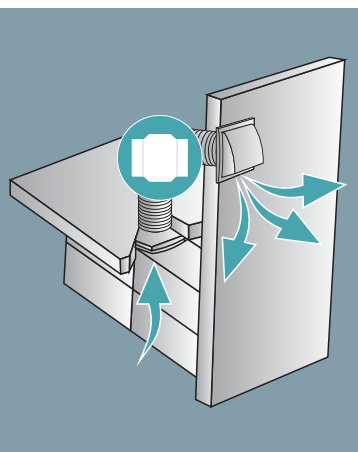
Type	a	l	Ød	ØD
135/110	27	135	110	135

Performance curves



Technical characteristic

Supply Voltage	Maximum Flow Rate	Consumed power	Maximum Flow rate	Max static pressure	Consumed current	Protection Degree	Noise Level	Weight	Max Air t°	Product Code	Mounting Bracket
Hz / V	min <sup>-1</sup>	W	m³/h	Pa	A	IP	dB	Kg	°C	No	No
50 / 230	2650	42	205	85	0,340	44	41	1,340	+60	2761	-
50 / 115	2650	42	205	85	0,680	44	41	1,340	+60	-	-
50 / 12	2650	42	205	85	3,000	44	41	1,340	+60	-	-
60 / 120	3360	51	250	100	0,701	44	47	1,340	+60	-	-



Trickle Impregnation Technology

- Sealed motor against dust and moisture
- Maximum isolation characteristics
- Longevity of the electric motor



- All VOK series fans can be produced with length "l" to suit most specific requirements of our customers.
- All fans can be manufactured to operate at 60 Hz frequency, without significant change in the remaining characteristics.

- Products without a code are custom made.

VOK 135/120



**LONG life**  
30.000h



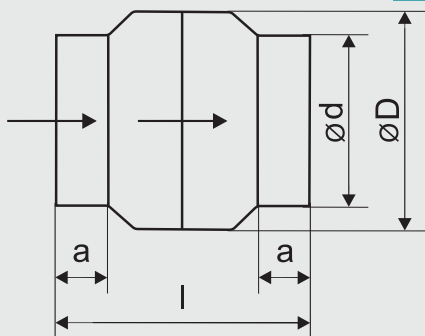
Back Shutter



Mounting Bracket

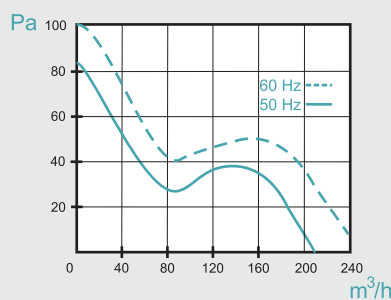


Dimensions /mm/



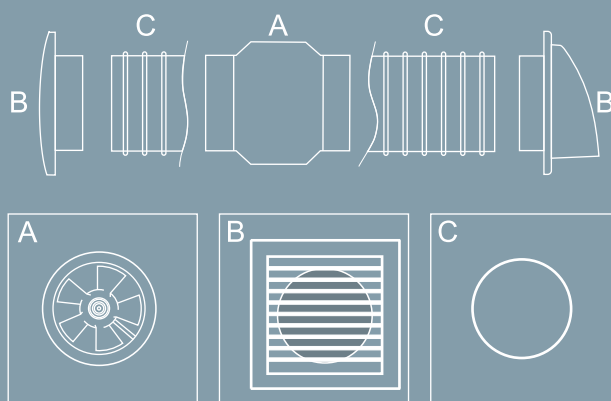
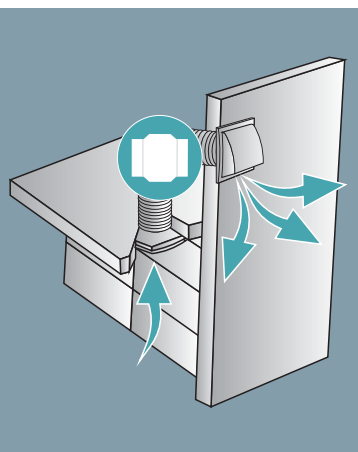
Type	a	l	Ød	ØD
135/120	27	135	120	135

Performance curves



Technical characteristic

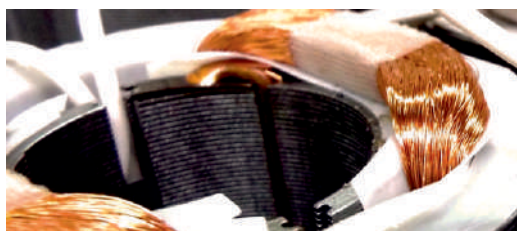
Supply Voltage	Maximum Flow Rate	Consumed power	Maximum Flow rate	Max static pressure	Consumed current	Protection Degree	Noise Level	Weight	Max Air t°	Product Code	With Back Shutter Accessory
Hz / V	min <sup>-1</sup>	W	m³/h	Pa	A	IP	dB	Kg	°C	No	No
50 / 230	2650	42	205	85	0,340	44	41	1,340	+60	2143	2150
50 / 115	2650	42	205	85	0,680	44	41	1,340	+60	-	7469
50 / 12	2650	42	205	85	3,000	44	41	1,340	+60	-	-
60 / 120	3360	51	250	100	0,701	44	47	1,340	+60	-	-



MOUNTING BRACKET

Product Code

- 
- 
- 
- 



Trickle Impregnation Technology

- Sealed motor against dust and moisture
- Maximum isolation characteristics
- Longevity of the electric motor

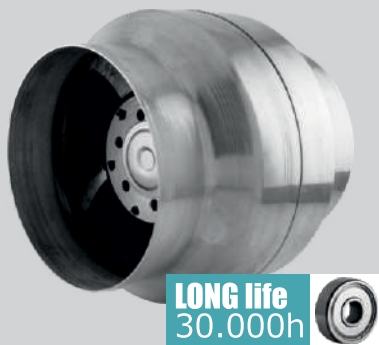


- All VOK series fans can be produced with length "l" to suit most specific requirements of our customers.
- All fans can be manufactured to operate at 60 Hz frequency, without significant change in the remaining characteristics.

- Products without a code are custom made.



VOK 150/100



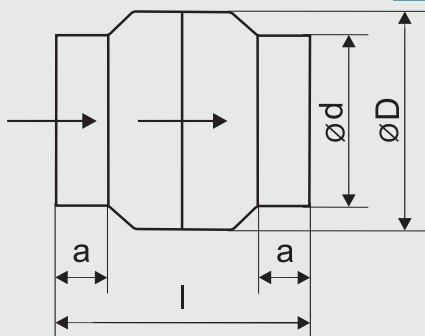
Back Shutter



Mounting Bracket

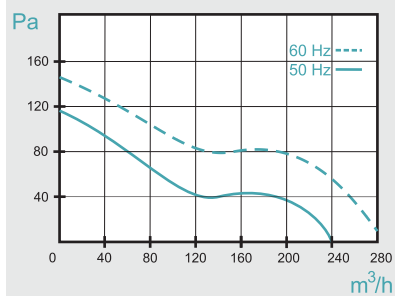


Dimensions /mm/



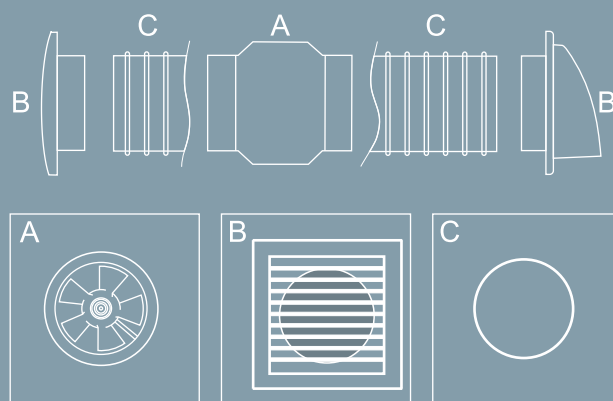
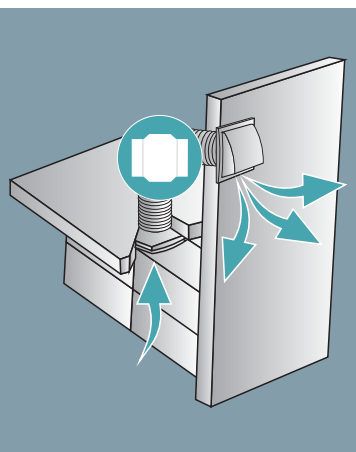
Type	a	l	Ød	ØD
150/100	28	150	100	150

Performance curves



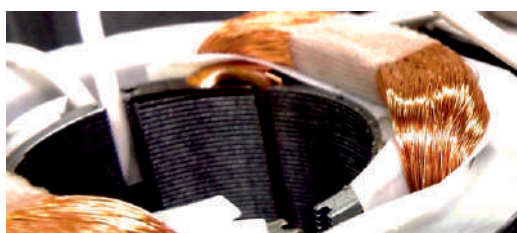
Technical characteristic

Supply Voltage	Maximum Flow Rate	Consumed power	Maximum Flow rate	Max static pressure	Consumed current	Protection Degree	Noise Level	Weight	Max Air t°	Product Code	With Back Shutter Accessory
Hz / V	min <sup>-1</sup>	W	m³/h	Pa	A	IP	dB	Kg	°C	No	No
50 / 230	2650	46	240	110	0,385	44	51	1,300	+60	2808	2839
50 / 115	2650	45	240	110	0,721	44	51	1,300	+60	-	-
50 / 12	2650	46	240	110	3,500	44	51	1,300	+60	-	-
60 / 120	3320	54	275	130	0,714	44	53	1,300	+60	-	-



MOUNTING BRACKET

Product Code
-
-
-
-



Trickle Impregnation Technology

- Sealed motor against dust and moisture
- Maximum isolation characteristics
- Longevity of the electric motor



- All VOK series fans can be produced with length "l" to suit most specific requirements of our customers.
- All fans can be manufactured to operate at 60 Hz frequency, without significant change in the remaining characteristics.

• Products without a code are custom made.

VOK 150/110



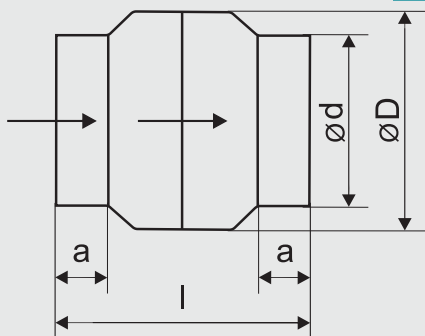
Back Shutter



Mounting Bracket

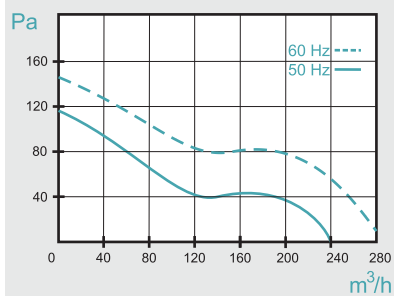


Dimensions /mm/



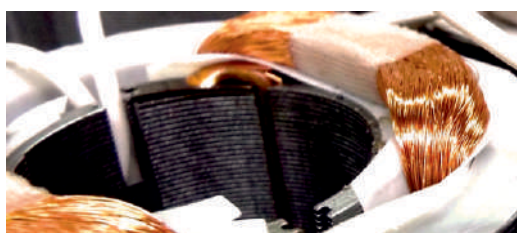
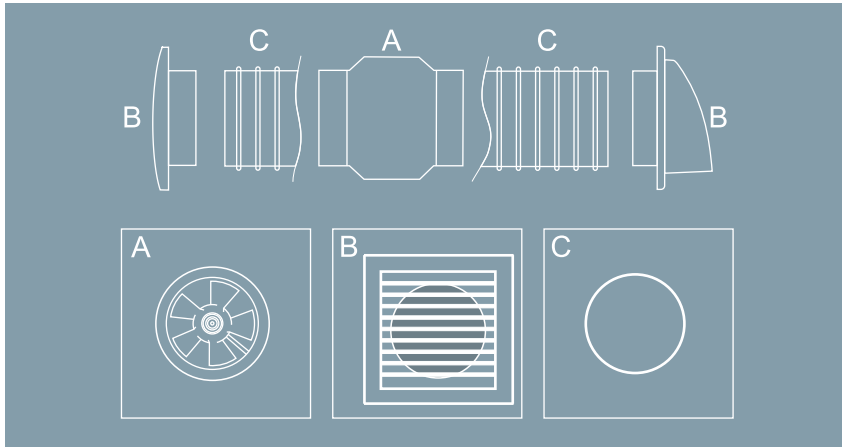
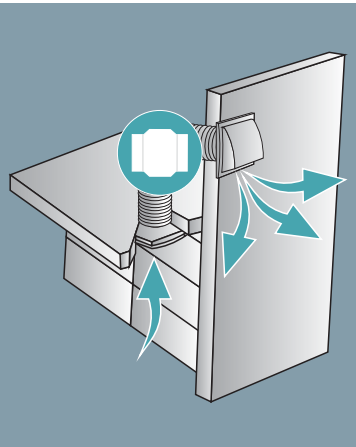
Type	a	l	Ød	ØD
150/110	28	150	110	150

Performance curves



Technical characteristic

Supply Voltage	Maximum Flow Rate	Consumed power	Maximum Flow rate	Max static pressure	Consumed current	Protection Degree	Noise Level	Weight	Max Air t°	Product Code	Mounting Bracket
Hz / V	min <sup>-1</sup>	W	m³/h	Pa	A	IP	dB	Kg	°C	No	No
50 / 230	2650	46	240	110	0,385	44	51	1,300	+60	2860	-
50 / 115	2650	45	240	110	0,721	44	51	1,300	+60	-	-
50 / 12	2650	46	240	110	3,500	44	51	1,300	+60	-	-
60 / 120	3320	54	275	130	0,714	44	53	1,300	+60	-	-



Trickle Impregnation Technology

- Sealed motor against dust and moisture
- Maximum isolation characteristics
- Longevity of the electric motor

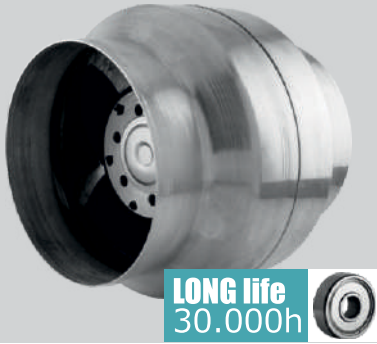


- All VOK series fans can be produced with length "l" to suit most specific requirements of our customers.
- All fans can be manufactured to operate at 60 Hz frequency, without significant change in the remaining characteristics.

- Products without a code are custom made.



VOK 150/120



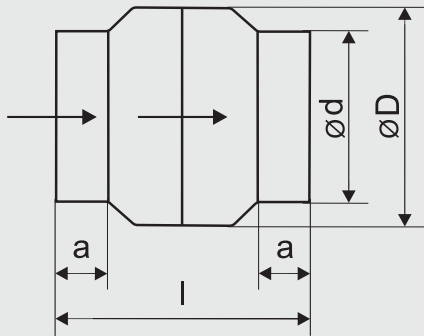
Back Shutter



Mounting Bracket

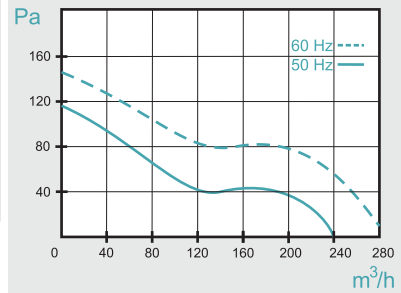


Dimensions /mm/



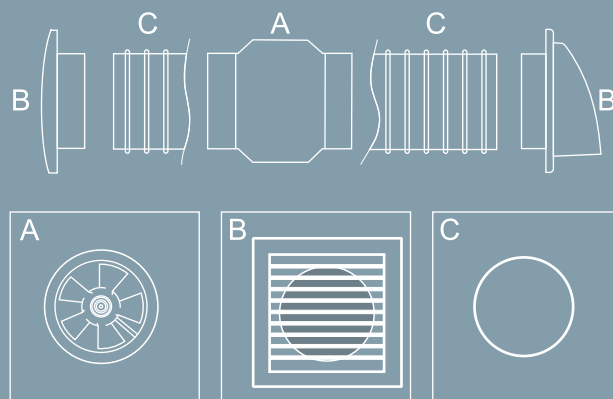
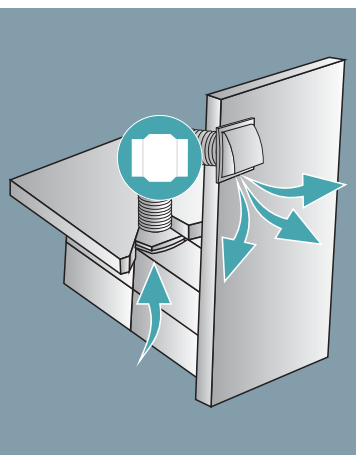
Type	a	l	Ød	ØD
150/120	28	150	120	150

Performance curves

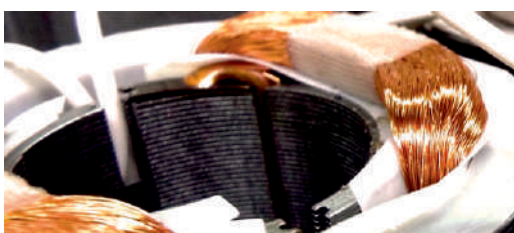


Technical characteristic

Supply Voltage	Maximum Flow Rate	Consumed power	Maximum Flow rate	Max static pressure	Consumed current	Protection Degree	Noise Level	Weight	Max Air t°	Product Code	With Back Shutter Accessory
Hz / V	min <sup>-1</sup>	W	m³/h	Pa	A	IP	dB	Kg	°C	No	No
50 / 230	2650	46	240	110	0,385	44	51	1,300	+60	2167	2181
50 / 115	2650	45	240	110	0,721	44	51	1,300	+60	-	7483
50 / 12	2650	46	240	110	3,500	44	51	1,300	+60	-	-
60 / 120	3320	54	275	130	0,714	44	53	1,300	+60	-	-



THERMOSTAT		MOUNTING BRACKET	
Product Code	Product Code	Product Code	Product Code
2167	2181	-	7483
-	-	-	-
-	-	-	-



Trickle Impregnation Technology

- Sealed motor against dust and moisture
- Maximum isolation characteristics
- Longevity of the electric motor



- All VOK series fans can be produced with length "l" to suit most specific requirements of our customers.
- All fans can be manufactured to operate at 60 Hz frequency, without significant change in the remaining characteristics.

• Products without a code are custom made.

HEAT RECOVERY

DOMESTIC FANS

SAUNA FANS

AXIAL FANS

DUCT FANS

INDUSTRIAL FANS

ACCESSORIES

VOK-T 120/100

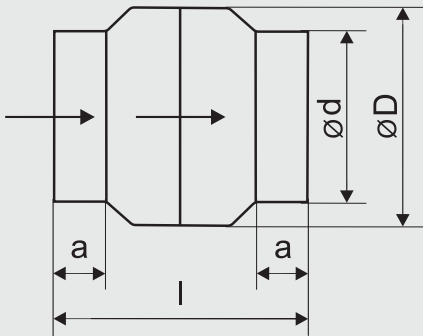
Back Shutter

Mounting Bracket

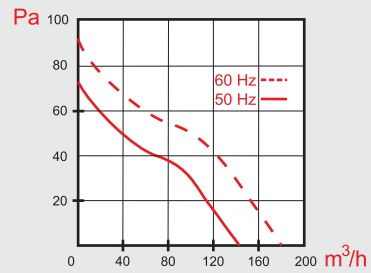


Dimensions /mm/

Performance curves



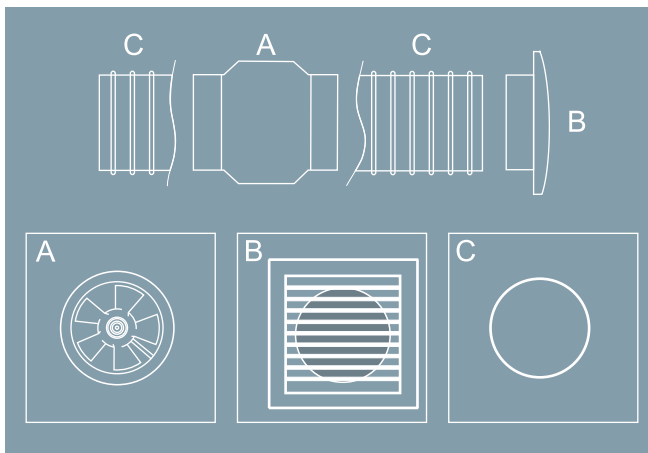
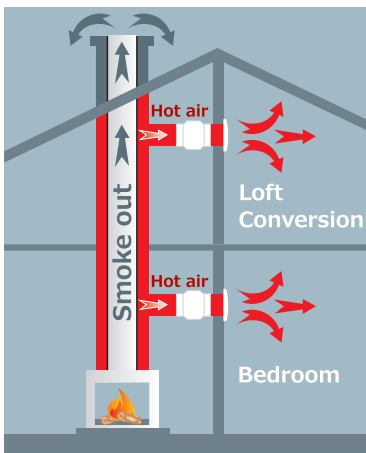
Type	a	l	Ød	ØD
120/100	28	130	100	120



**i** High Temperature resistant fan blade made of Glass Filled Polyamide

Technical characteristic

Supply Voltage	Maximum Flow Rate	Consumed power	Maximum Flow rate	Max static pressure	Consumed current	Protection Degree	Noise Level	Weight	Max Air t°	Product Code	With Back Shutter Accessory
Hz / V	min <sup>-1</sup>	W	m <sup>3</sup> /h	Pa	A	IP	dB	Kg	°C	No	No
50 / 230	2650	18	150	75	0,125	44	39	0,620	+150	2426	2662
50 / 115	2650	17	150	75	0,234	44	39	0,620	+150	-	7445
50 / 12	2650	18	150	75	2,000	44	39	0,620	+150	-	7452
60 / 120	3200	19	175	90	0,210	44	42	0,620	+150	-	-



THERMOSTAT	MOUNTING BRACKET
Product Code	Product Code
2655	-
With Back Shutter Accessory	-
50Hz/230V	-
2679	-



Trickle Impregnation Technology

- Sealed motor against dust and moisture
- High temperature resistant electric motor
- Maximum isolation characteristics
- Longevity of the electric motor



- All VOK series fans can be produced with length "l" to suit most specific requirements of our customers.
- All fans can be manufactured to operate at 60 Hz frequency, without significant change in the remaining characteristics.

- Products without a code are custom made.



VOK-T 120/110

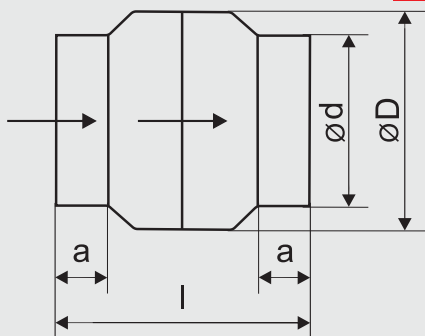
Back Shutter

Mounting Bracket

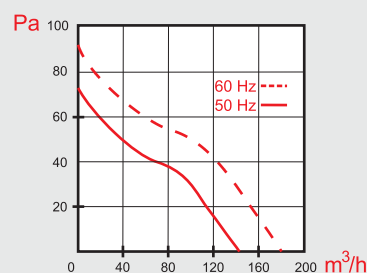


Dimensions /mm/

Performance curves



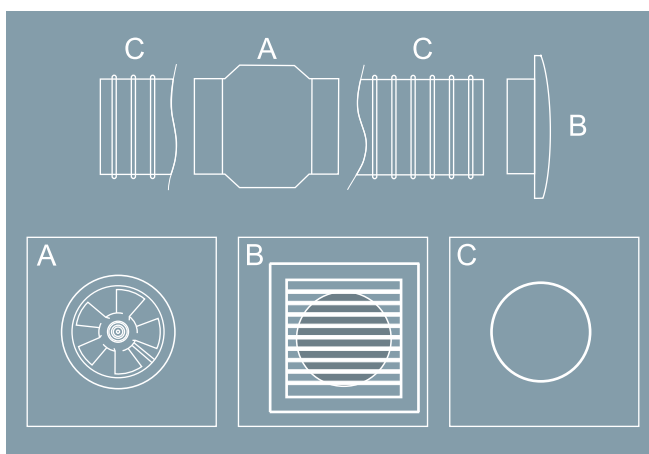
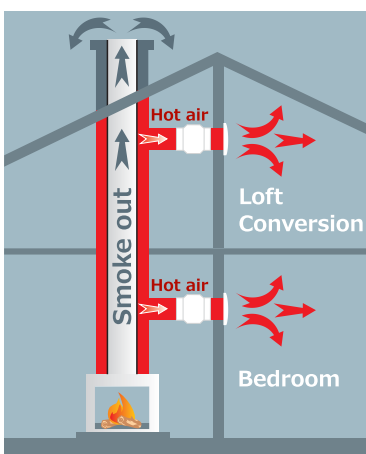
Type	a	l	Ød	ØD
120/110	35	135	110	120



High Temperature resistant fan blade made of Glass Filled Polyamide

Technical characteristic

Supply Voltage	Maximum Flow Rate	Consumed power	Maximum Flow rate	Max static pressure	Consumed current	Protection Degree	Noise Level	Weight	Max Air t°	Product Code	Mounting Bracket
Hz / V	min <sup>-1</sup>	W	m³/h	Pa	A	IP	dB	Kg	°C	No	No
50 / 230	2650	18	150	75	0,125	44	39	0,620	+150	-	-
50 / 115	2650	17	150	75	0,234	44	39	0,620	+150	-	-
50 / 12	2650	18	150	75	2,000	44	39	0,620	+150	-	-
60 / 120	3200	19	175	90	0,210	44	42	0,620	+150	-	-



THERMOSTAT
Product Code
2693
-
-
-



Trickle Impregnation Technology

- Sealed motor against dust and moisture
- High temperature resistant electric motor
- Maximum isolation characteristics
- Longevity of the electric motor



- All VOK series fans can be produced with length "l" to suit most specific requirements of our customers.
- All fans can be manufactured to operate at 60 Hz frequency, without significant change in the remaining characteristics.

• Products without a code are custom made.

VOK-T 135/100

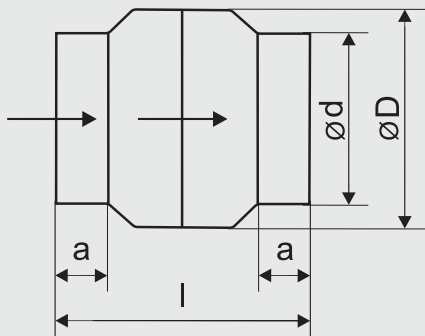
Back Shutter

Mounting Bracket

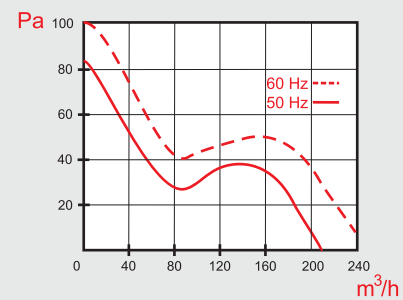


Dimensions /mm/

Performance curves



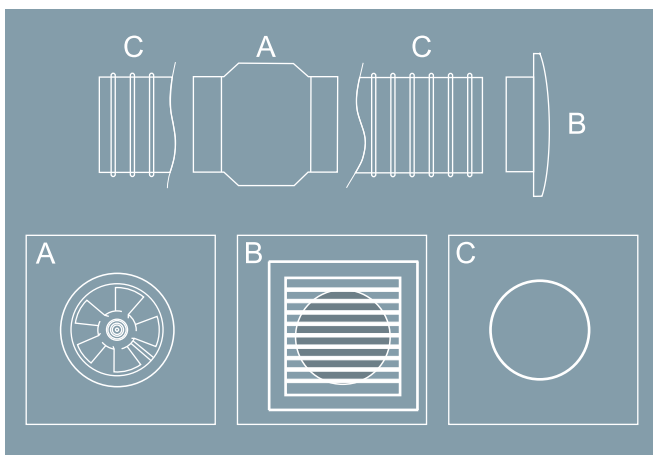
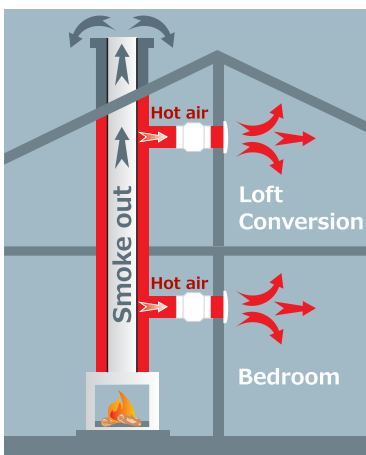
Type	a	l	Ød	ØD
135/100	27	145	100	135



**i** High Temperature resistant fan blade made of Aluminium

Technical characteristic

Supply Voltage	Maximum Flow Rate	Consumed power	Maximum Flow rate	Max static pressure	Consumed current	Protection Degree	Noise Level	Weight	Max Air t°	Product Code	With Back Shutter Accessory
Hz / V	min <sup>-1</sup>	W	m <sup>3</sup> /h	Pa	A	IP	dB	Kg	°C	No	No
50 / 230	2650	42	205	85	0,340	44	41	1,340	+150	2716	2747
50 / 115	2650	42	205	85	0,680	44	41	1,340	+150	-	-
50 / 12	2650	42	205	85	3,000	44	41	1,340	+150	-	-
60 / 120	3360	51	250	100	0,701	44	47	1,340	+150	-	-



THERMOSTAT	MOUNTING BRACKET
Product Code	Product Code
2723	-
With Back Shutter Accessory	-
50Hz/230V	-
2754	-



Trickle Impregnation Technology

- Sealed motor against dust and moisture
- High temperature resistant electric motor
- Maximum isolation characteristics
- Longevity of the electric motor



- All VOK series fans can be produced with length "l" to suit most specific requirements of our customers.
- All fans can be manufactured to operate at 60 Hz frequency, without significant change in the remaining characteristics.

- Products without a code are custom made.



VOK-T 135/110



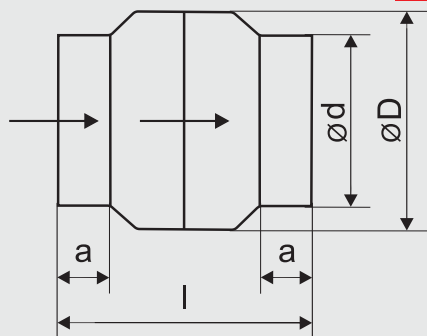
Back Shutter



Mounting Bracket

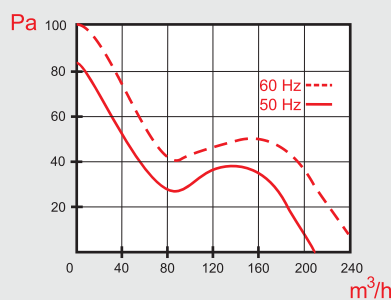


Dimensions /mm/



Type	a	l	Ød	ØD
135/110	27	135	110	135

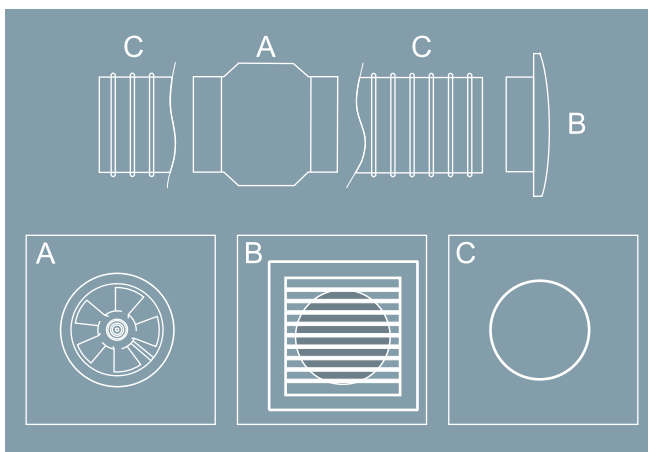
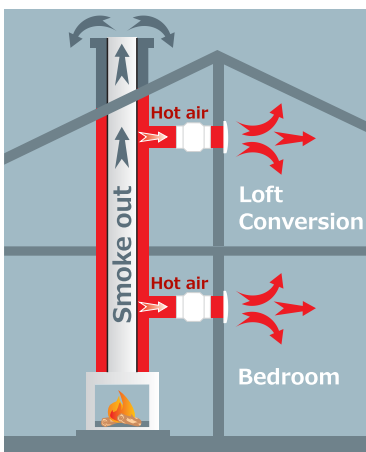
Performance curves



**i** High Temperature resistant fan blade made of Aluminium

Technical characteristic

Supply Voltage	Maximum Flow Rate	Consumed power	Maximum Flow rate	Max static pressure	Consumed current	Protection Degree	Noise Level	Weight	Max Air t°	Product Code
Hz / V	min <sup>-1</sup>	W	m <sup>3</sup> /h	Pa	A	IP	dB	Kg	°C	No
50 / 230	2650	42	205	85	0,340	44	41	1,340	+150	2778
50 / 115	2650	42	205	85	0,680	44	41	1,340	+150	-
50 / 12	2650	42	205	85	3,000	44	41	1,340	+150	-
60 / 120	3360	51	250	100	0,701	44	47	1,340	+150	-



THERMOSTAT	MOUNTING BRACKET
Product Code	Product Code
-	-
-	-
-	-
-	-



Trickle Impregnation Technology

- Sealed motor against dust and moisture
- High temperature resistant electric motor
- Maximum isolation characteristics
- Longevity of the electric motor



- All VOK series fans can be produced with length "l" to suit most specific requirements of our customers.
- All fans can be manufactured to operate at 60 Hz frequency, without significant change in the remaining characteristics.

- Products without a code are custom made.

VOK-T 135/120

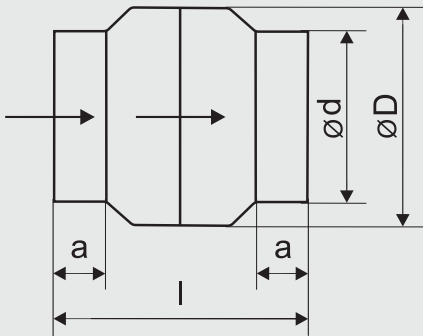
Back Shutter

Mounting Bracket

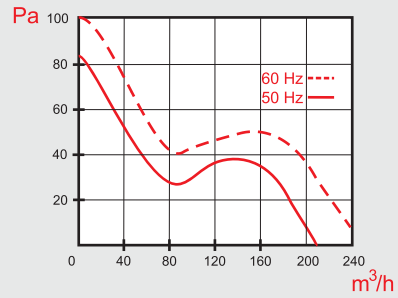


Dimensions /mm/

Performance curves



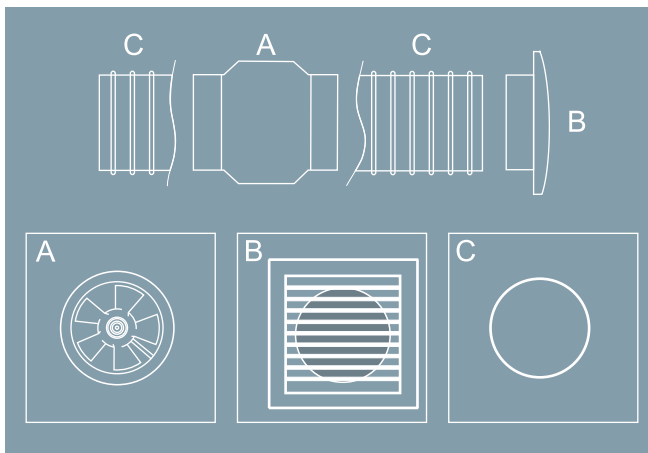
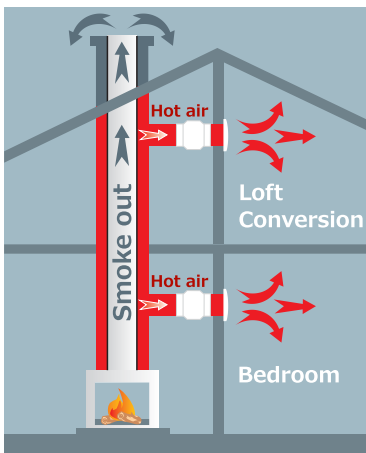
Type	a	l	Ød	ØD
135/120	27	135	120	135



**i** High Temperature resistant fan blade made of Aluminium

Technical characteristic

Supply Voltage	Maximum Flow Rate	Consumed power	Maximum Flow rate	Max static pressure	Consumed current	Protection Degree	Noise Level	Weight	Max Air t°	Product Code	With Back Shutter Accessory
Hz / V	min <sup>-1</sup>	W	m <sup>3</sup> /h	Pa	A	IP	dB	Kg	°C	No	No
50 / 230	2650	42	205	85	0,340	44	41	1,340	+150	2433	2501
50 / 115	2650	42	205	85	0,680	44	41	1,340	+150	-	-
50 / 12	2650	42	205	85	3,000	44	41	1,340	+150	-	-
60 / 120	3360	51	250	100	0,701	44	47	1,340	+150	-	-



THERMOSTAT	MOUNTING BRACKET
Product Code	Product Code
2440	-
With Back Shutter Accessory	-
50Hz/230V	-
2792	-



Trickle Impregnation Technology

- Sealed motor against dust and moisture
- High temperature resistant electric motor
- Maximum isolation characteristics
- Longevity of the electric motor



- All VOK series fans can be produced with length "l" to suit most specific requirements of our customers.
- All fans can be manufactured to operate at 60 Hz frequency, without significant change in the remaining characteristics.

- Products without a code are custom made.

VOK-T 150/100

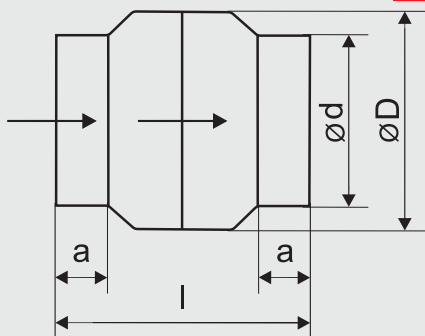
Back Shutter

Mounting Bracket

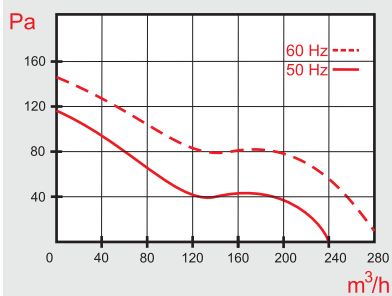


Dimensions /mm/

Performance curves



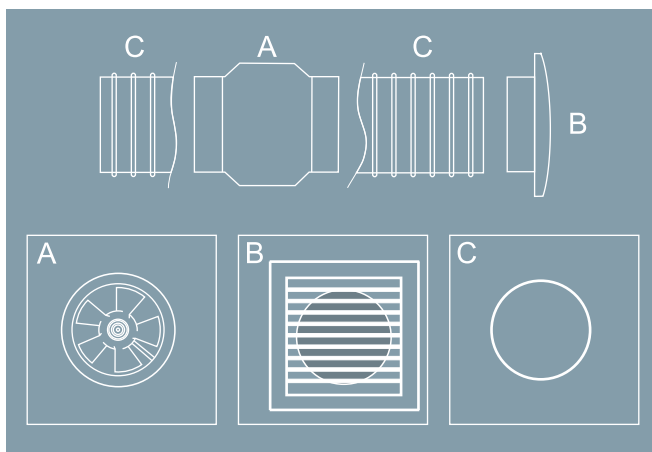
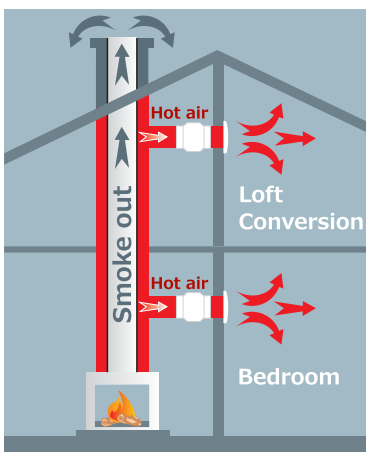
Type	a	l	Ød	ØD
150/100	28	150	100	150



**i** High Temperature resistant fan blade made of Glass Filled Polyamide

Technical characteristic

Supply Voltage	Maximum Flow Rate	Consumed power	Maximum Flow rate	Max static pressure	Consumed current	Protection Degree	Noise Level	Weight	Max Air t°	Product Code	With Back Shutter Accessory
Hz / V	min <sup>-1</sup>	W	m³/h	Pa	A	IP	dB	Kg	°C	No	No
50 / 230	2650	46	240	110	0,385	44	51	1,300	+150	2815	2846
50 / 115	2650	45	240	110	0,721	44	51	1,300	+150	-	-
50 / 12	2650	46	240	110	3,500	44	51	1,300	+150	-	-
60 / 120	3320	54	275	130	0,714	44	53	1,300	+150	-	-



THERMOSTAT	MOUNTING BRACKET
Product Code	Product Code
2822	-
With Back Shutter Accessory	-
50Hz/230V	-
2853	-



Trickle Impregnation Technology

- Sealed motor against dust and moisture
- High temperature resistant electric motor
- Maximum isolation characteristics
- Longevity of the electric motor



- All VOK series fans can be produced with length "l" to suit most specific requirements of our customers.
- All fans can be manufactured to operate at 60 Hz frequency, without significant change in the remaining characteristics.

- Products without a code are custom made.



VOK-T 150/110

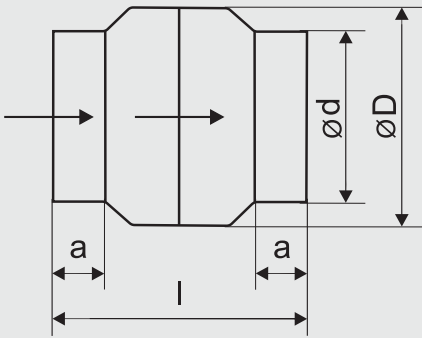
Back Shutter

Mounting Bracket

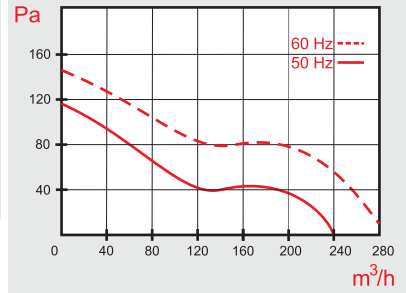


Dimensions /mm/

Performance curves



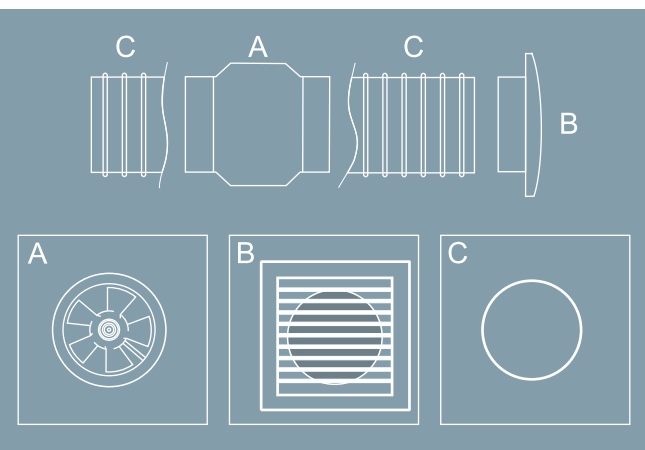
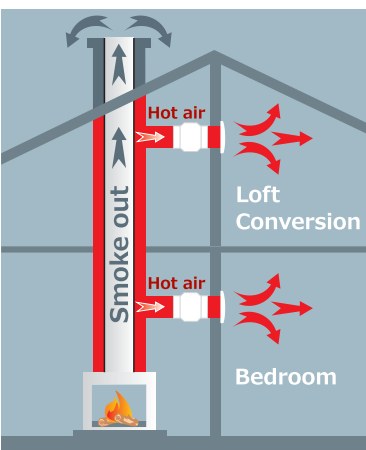
Type	a	l	Ød	ØD
150/110	28	150	110	150



High Temperature resistant fan blade made of Glass Filled Polyamide

Technical characteristic

Supply Voltage	Maximum Flow Rate	Consumed power	Maximum Flow rate	Max static pressure	Consumed current	Protection Degree	Noise Level	Weight	Max Air t°	Product Code
Hz / V	min <sup>-1</sup>	W	m <sup>3</sup> /h	Pa	A	IP	dB	Kg	°C	No
50 / 230	2650	46	240	110	0,385	44	51	1,300	+150	2877
50 / 115	2650	45	240	110	0,721	44	51	1,300	+150	-
50 / 12	2650	46	240	110	3,500	44	51	1,300	+150	-
60 / 120	3320	54	275	130	0,714	44	53	1,300	+150	-



THERMOSTAT	MOUNTING BRACKET
Product Code	Product Code
2884	-
-	-
-	-
-	-



Trickle Impregnation Technology

- Sealed motor against dust and moisture
- High temperature resistant electric motor
- Maximum isolation characteristics
- Longevity of the electric motor

- All VOK series fans can be produced with length "l" to suit most specific requirements of our customers.
- All fans can be manufactured to operate at 60 Hz frequency, without significant change in the remaining characteristics.

• Products without a code are custom made.

VOK-T 150/120

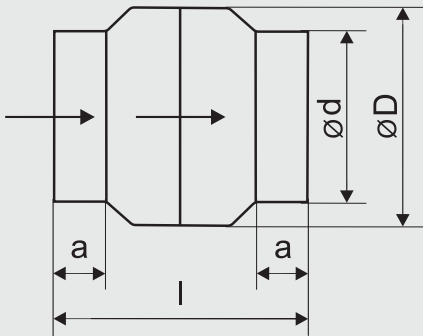
Back Shutter

Mounting Bracket

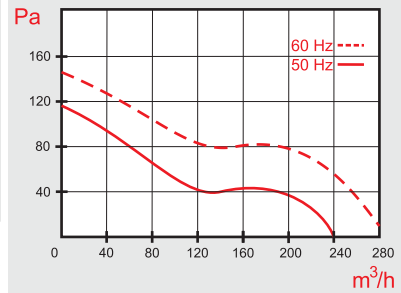


Dimensions /mm/

Performance curves



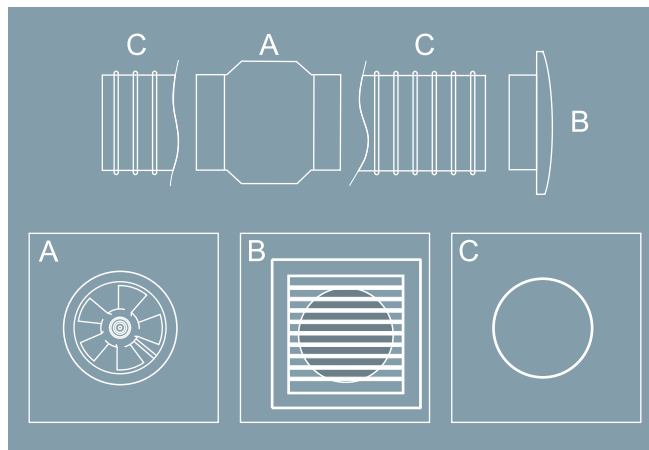
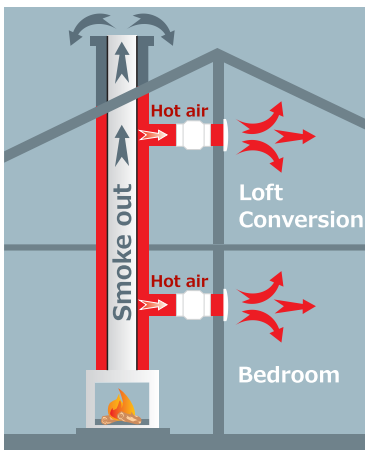
Type	a	l	Ød	ØD
150/120	28	150	120	150



**i** High Temperature resistant fan blade made of Glass Filled Polyamide

Technical characteristic

Supply Voltage	Maximum Flow Rate	Consumed power	Maximum Flow rate	Max static pressure	Consumed current	Protection Degree	Noise Level	Weight	Max Air t°	Product Code	With Back Shutter Accessory
Hz / V	min <sup>-1</sup>	W	m <sup>3</sup> /h	Pa	A	IP	dB	Kg	°C	No	No
50 / 230	2650	46	240	110	0,385	44	51	1,300	+150	2457	2495
50 / 115	2650	45	240	110	0,721	44	51	1,300	+150	-	7490
50 / 12	2650	46	240	110	3,500	44	51	1,300	+150	-	-
60 / 120	3320	54	275	130	0,714	44	53	1,300	+150	-	-



THERMOSTAT	MOUNTING BRACKET
Product Code	Product Code
2464	-
With Back Shutter Accessory	-
50Hz/230V	-
2891	-



Trickle Impregnation Technology

- Sealed motor against dust and moisture
- High temperature resistant electric motor
- Maximum isolation characteristics
- Longevity of the electric motor



- All VOK series fans can be produced with length "l" to suit most specific requirements of our customers.
- All fans can be manufactured to operate at 60 Hz frequency, without significant change in the remaining characteristics.

- Products without a code are custom made.