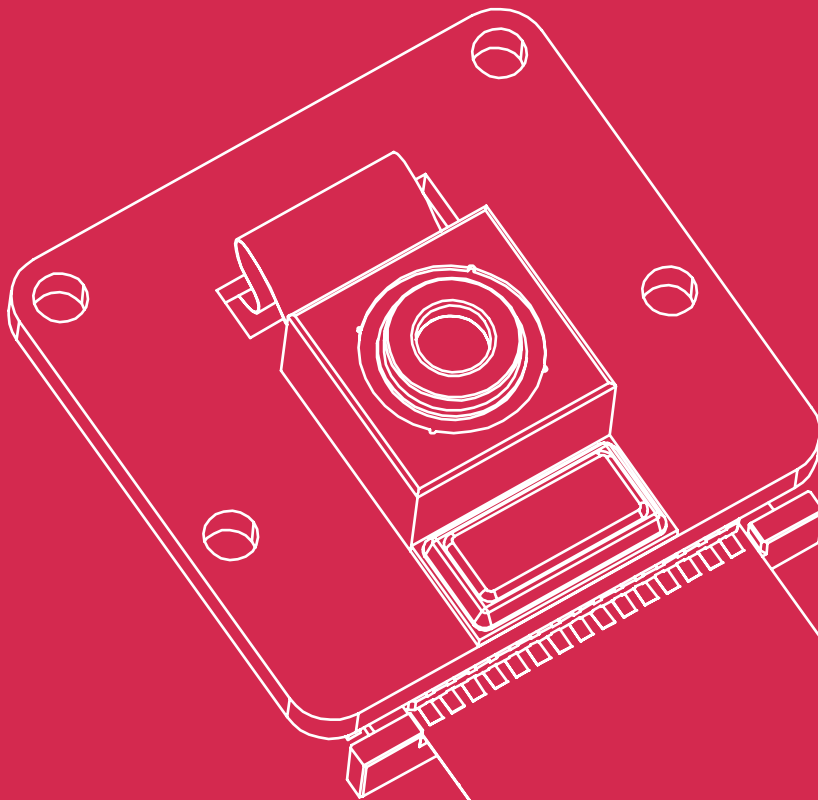


High-Resolution Autofocus Camera Getting Started

Operating instructions, safety
information, etc.

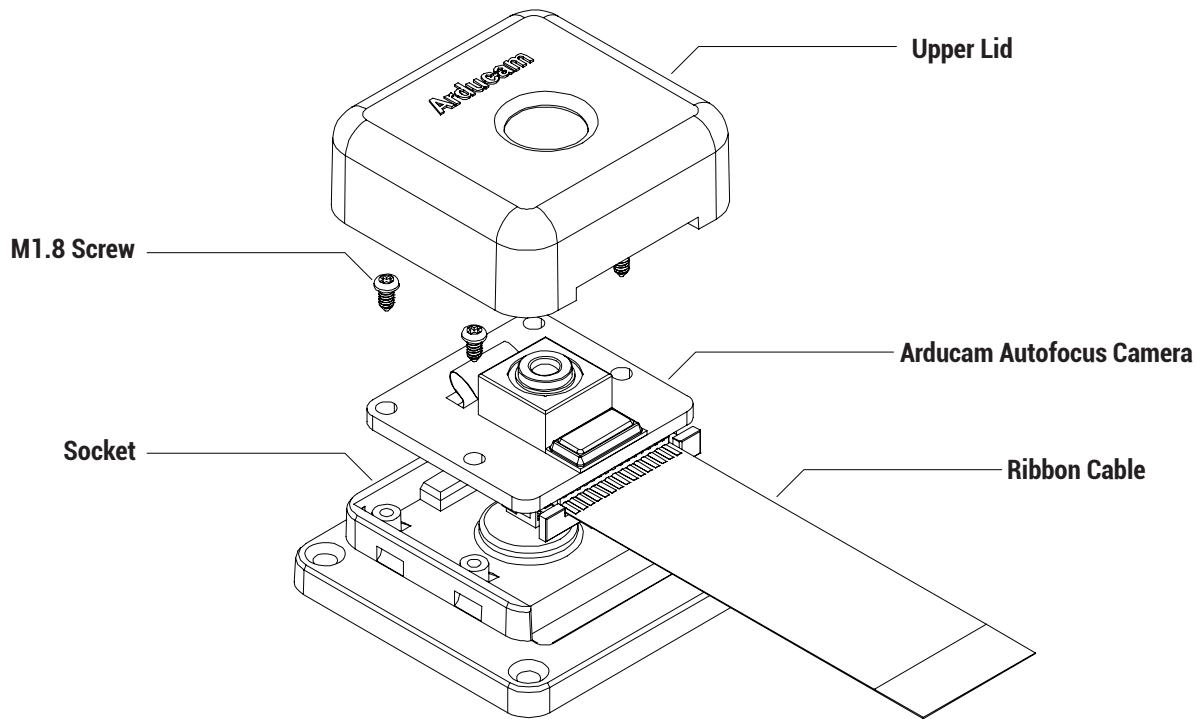


Published in September 2021
by ARDUCAM TECHNOLOGY CO., LIMITED

ArduCam
www.arducam.com

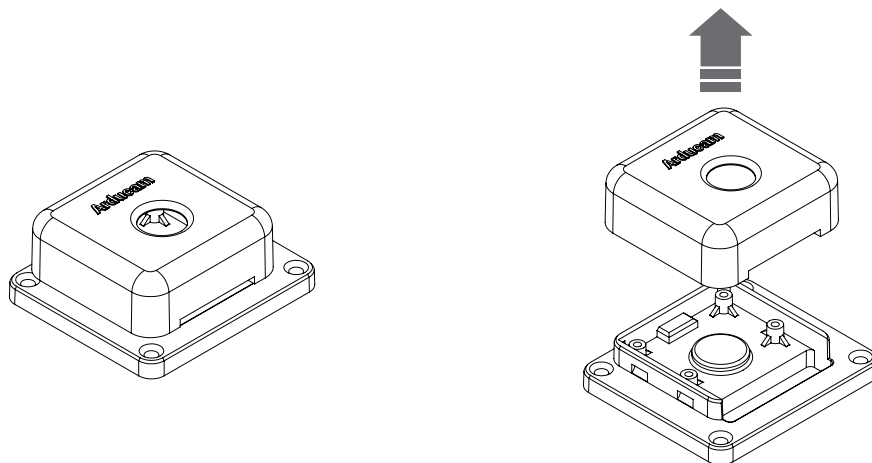
Installation

Camera Enclosure



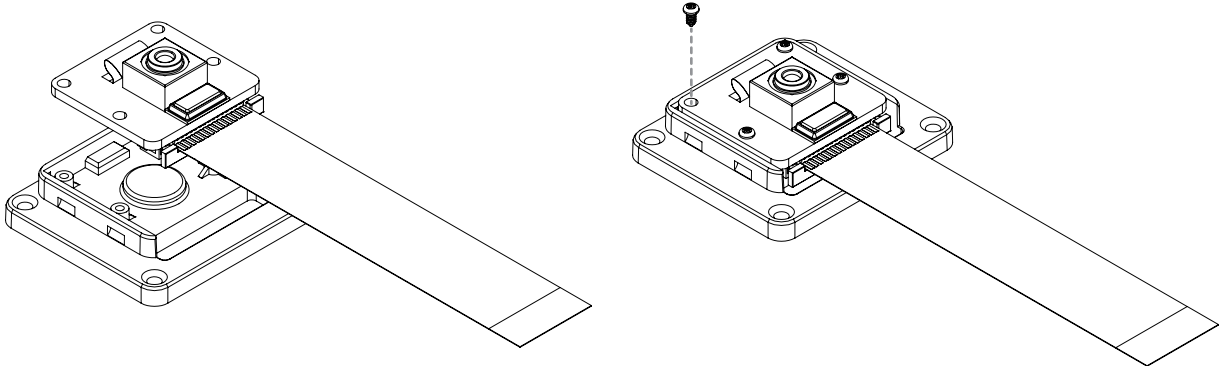
To fit a camera board (High-Resolution Autofocus Camera/V1/V1.3/V2/V2.1):

1. Open the upper lid of the enclosure.

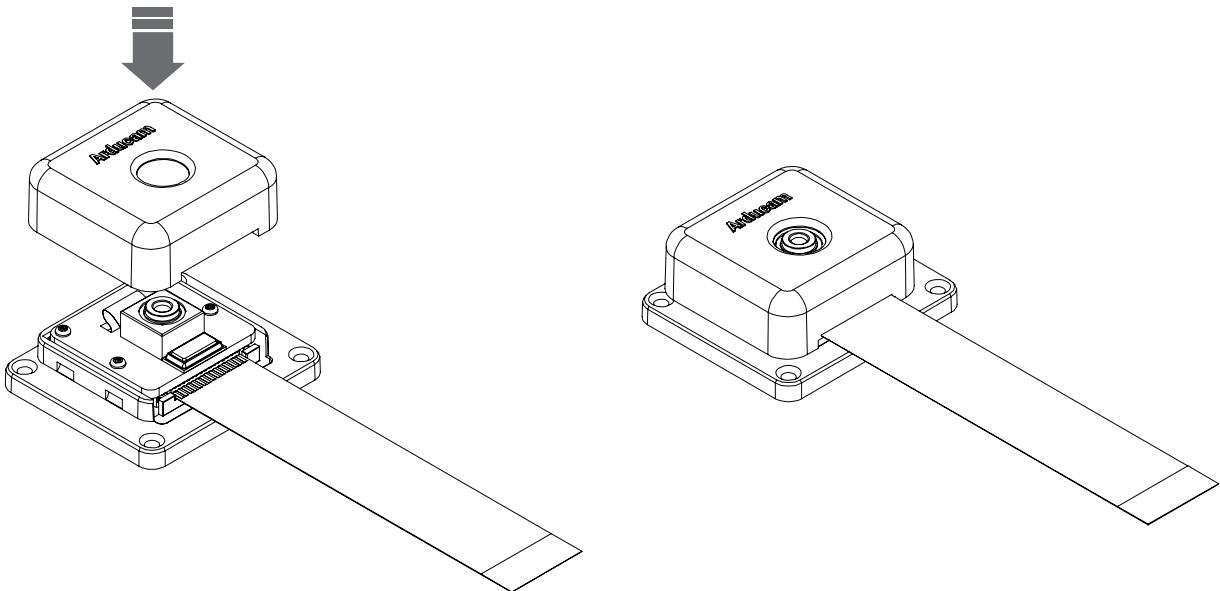


Installation

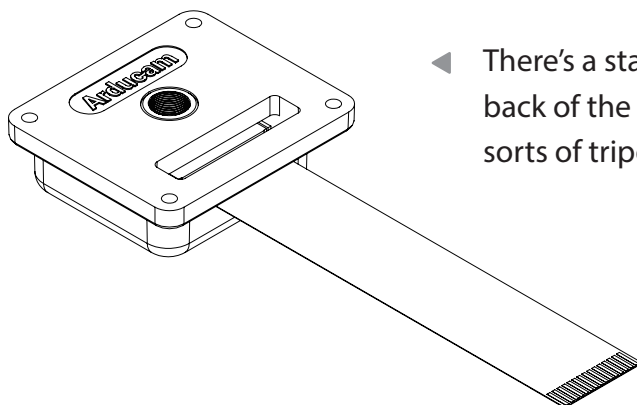
2. Put the module into the socket and install the screws.



3. Put the upper lid back.



Tripod Mount

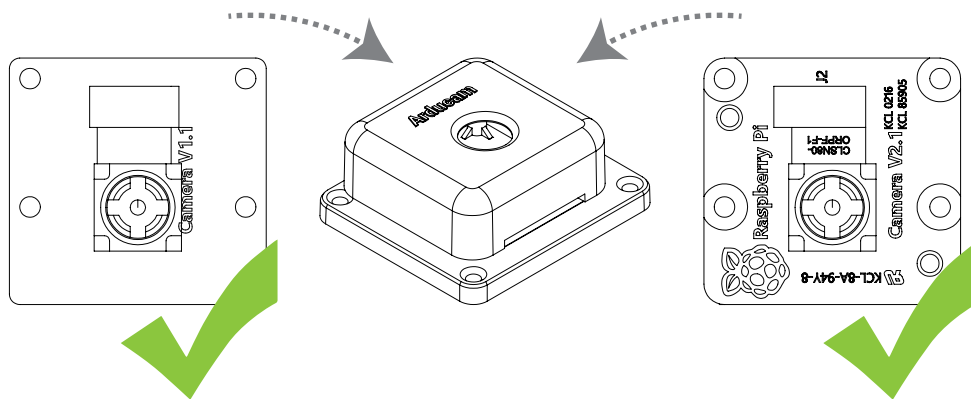


◀ There's a standard tripod mount (1/4"-20) at the back of the enclosure, you can use it with all sorts of tripods.

Installation

Camera Enclosure

The camera enclosure that comes with the Arducam High-Resolution Autofocus Camera is also compatible with Raspberry Pi camera module V1/V1.3 and V2/V2.1.

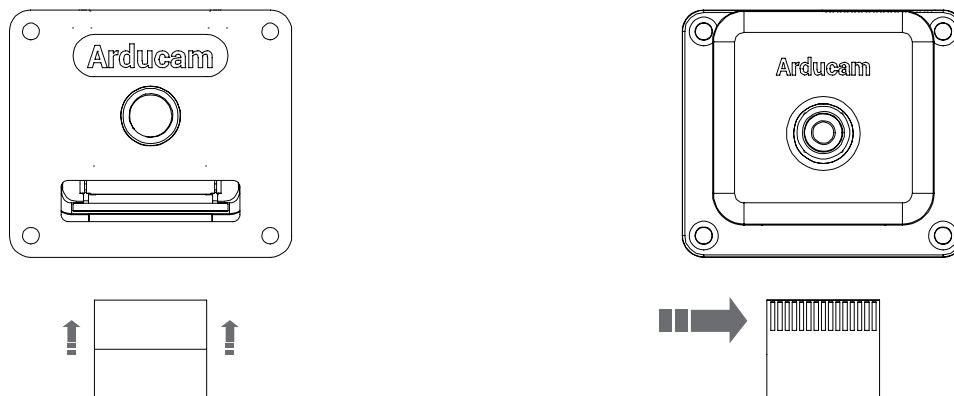


Before Connecting The High-Resolution Autofocus Camera to Your Raspberry Pi

1. Find the camera connector, gently pull the plastic catch up.



2. Insert the ribbon cable with pins facing away from the catch.



Installation

3. Push the catch back in.



Operating The Camera

The camera requires a driver to be installed according to the platform in use, please see the following.

for Raspberry Pi

Quick start

<https://docs.arducam.com/Raspberry-Pi-Camera/Native-camera/Quick-Start-Guide/>

Autofocus:

<https://docs.arducam.com/Raspberry-Pi-Camera/Native-camera/Libcamera-User-Guide/#autofocusmanual-focus-function>

for NVIDIA Jetson

<https://docs.arducam.com/Nvidia-Jetson-Camera/Native-Camera/Quick-Start-Guide/>

for Octopi

<https://docs.arducam.com/Raspberry-Pi-Camera/Native-camera/OctoPrint/>

Instructions for Safe Use

To properly use the Arudcam High-Resolution Autofocus Camera, kindly note:

- Before connecting, you should always power the Raspberry Pi off and remove the power supply first.
- Make sure the cable on the camera board is locked in place.
- Make sure the cable is correctly inserted in the Raspberry Pi board's MIPI CSI-2 connector.
- Avoid high temperatures.
- Avoid water, moisture, or conductive surfaces while in operation.
- Avoid folding, or straining the flex cable.
- Avoid cross-threading with tripods.
- Gently push/pull the connector to avoid damaging the printed circuit board.
- Avoid moving or handling the printed circuit board excessively while it's in operation. Handle by the edges to avoid damages from electrostatic discharge.
- Where the camera board is stored should be cool and as dry as possible.
- Sudden temperature/humidity changes can cause dampness in the lens and affect the image/video quality.

Visit us at

www.arducam.com

Pre-Sale

sales@arducam.com

Technical Support

support@arducam.com

Skype: Arducam

Tel: +1 (319) 471-7640

ARDUCAM TECHNOLOGY CO., LIMITED

MIPI DSI and MIPI CSI are service marks of MIPI Alliance, Inc
Raspberry Pi and the Raspberry Pi logo are trademarks of the Raspberry Pi Foundation
Arducam High-Resolution Autofocus Camera And Arducam logo are trademarks of
ARDUCAM TECHNOLOGY CO., LIMITED

ArduCam
www.arducam.com