



REFERENCE:
E1305

STARTER SOCKET SW5

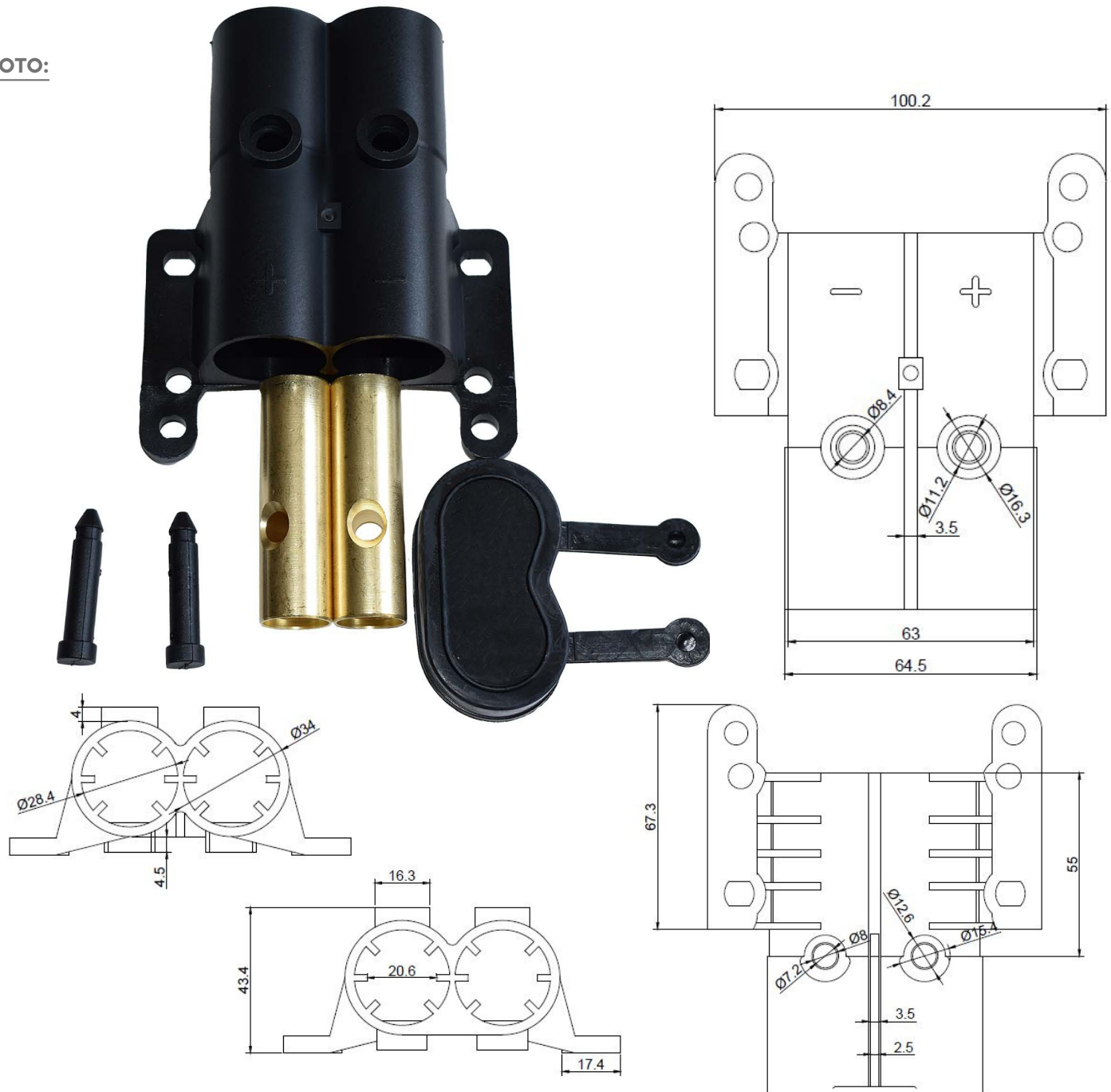
TECHNICAL SPECIFICATIONS:

- for 24V installation
- black housing
- 2x brass pin
- carton dimension: 400x260x250mm,
- 40 pcs in bulk box
- weight: 216g

WARNING AND INSTALLATION INSTRUCTIONS:

- Use in accordance to the purpose.
- Install only in specialized workshops or professional services.
- The connector is used to connect the pneumatic brake system of the vehicle with the trailer system.

PHOTO:



www.myKAMAR.com