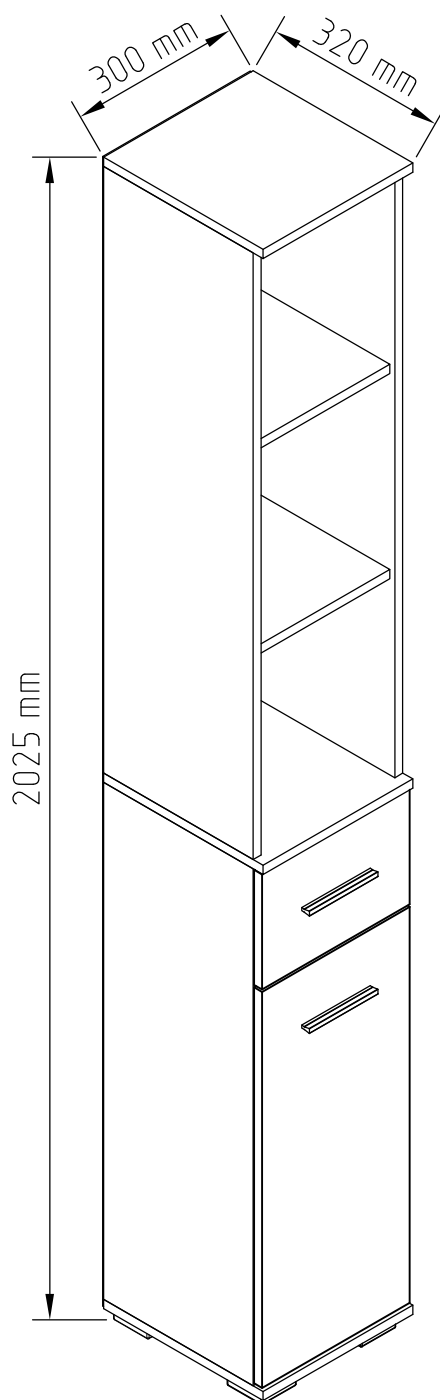
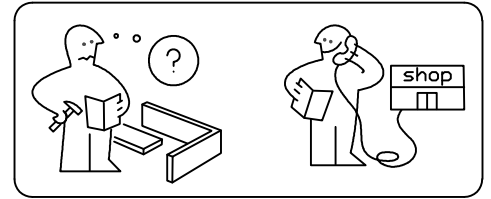
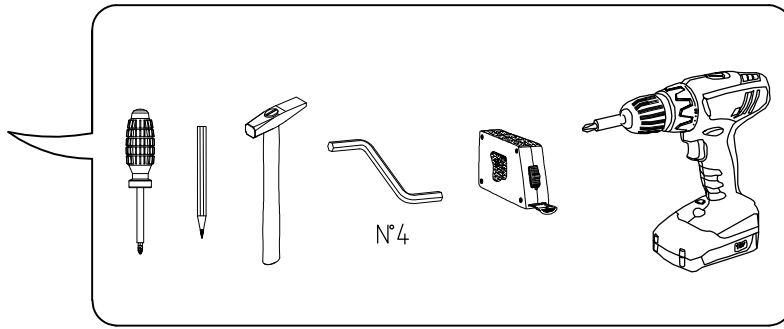
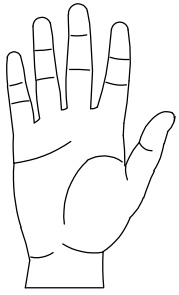


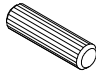

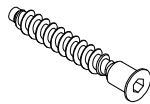
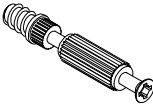


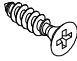



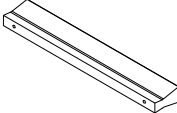
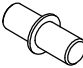
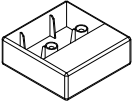
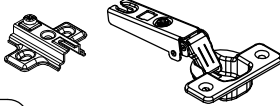
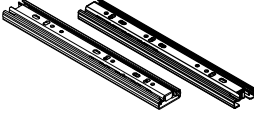


# **Амбре / Ambre**

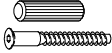
---

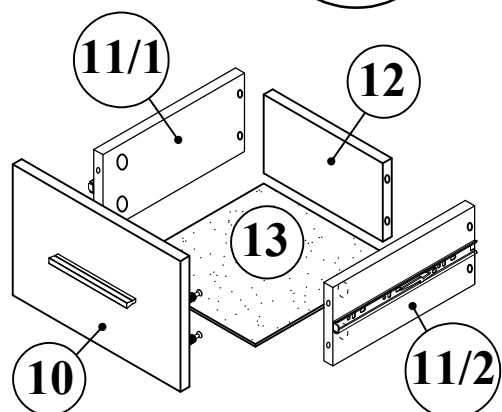
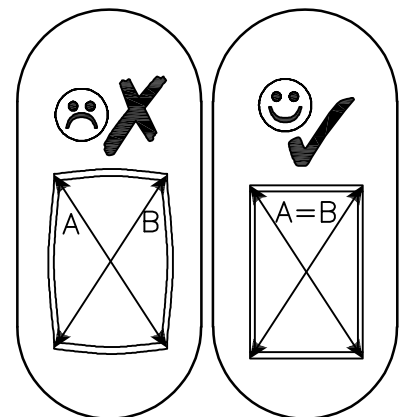
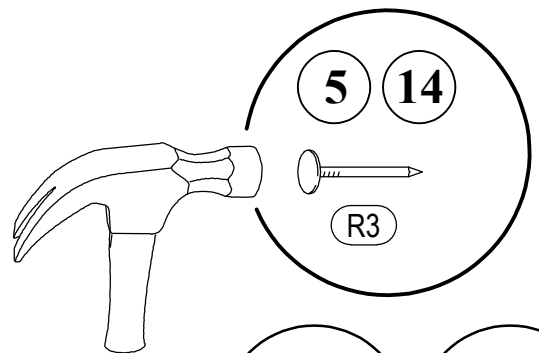
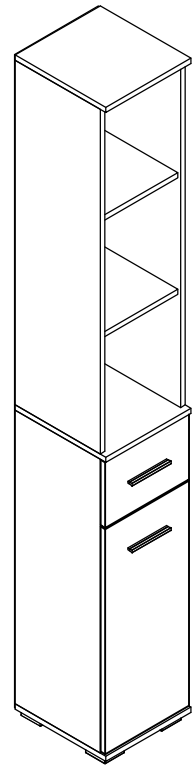
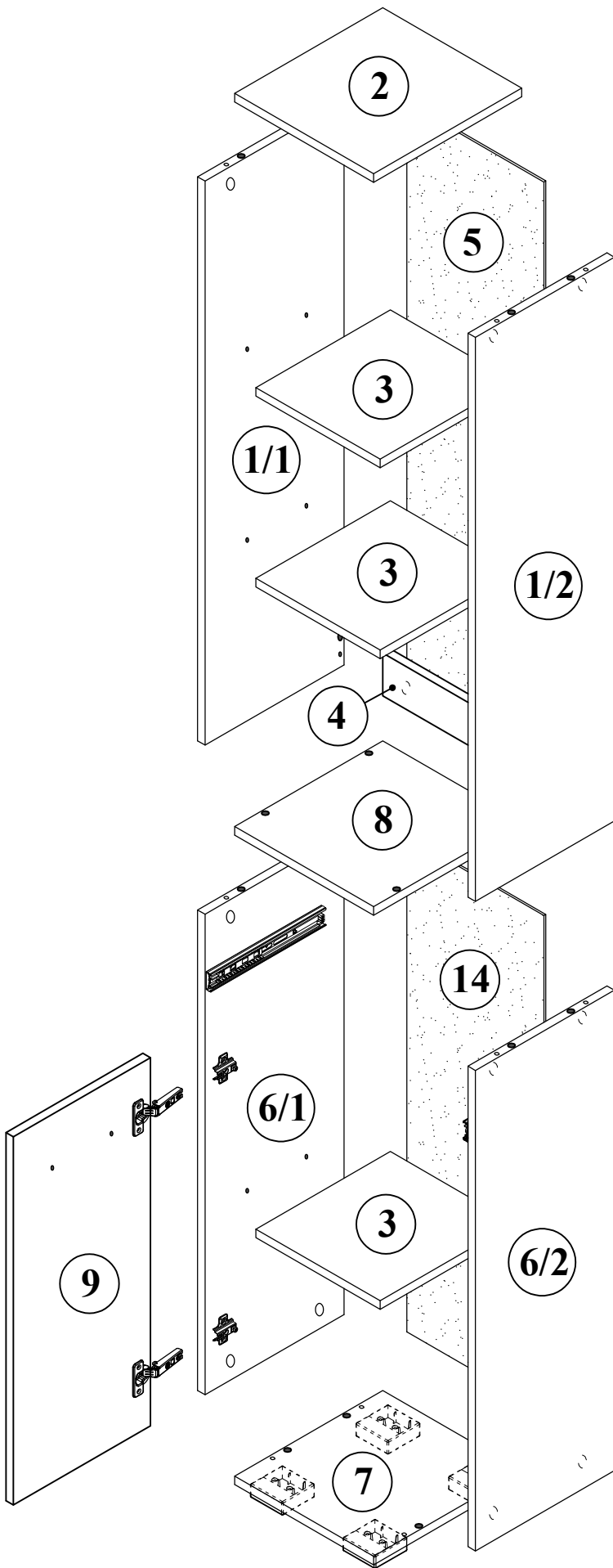
## **пенал / penal**

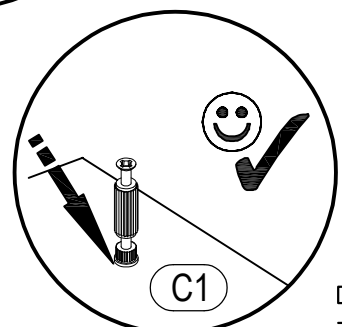
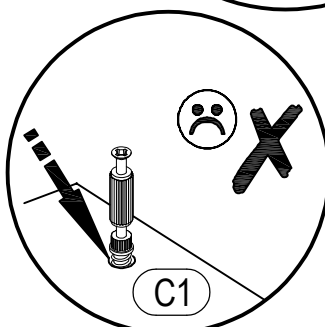
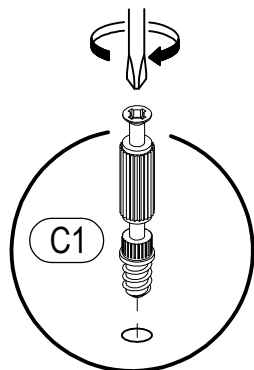
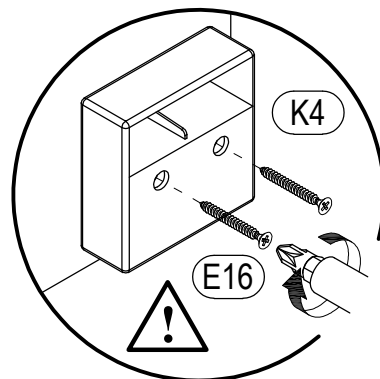
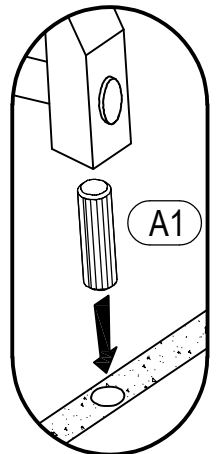
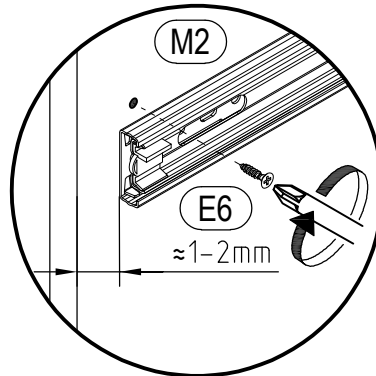
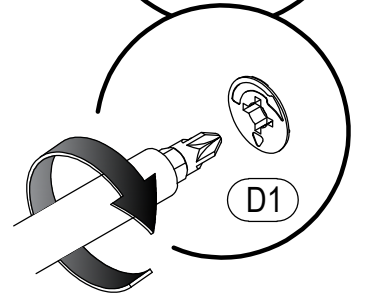
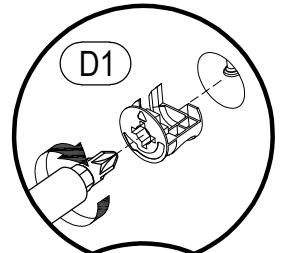
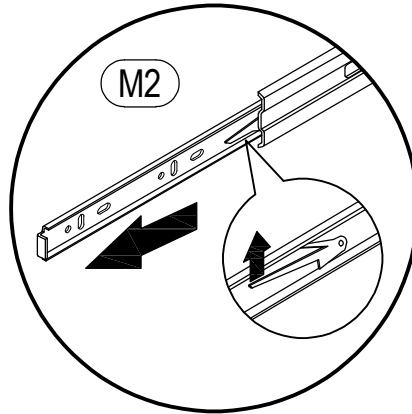
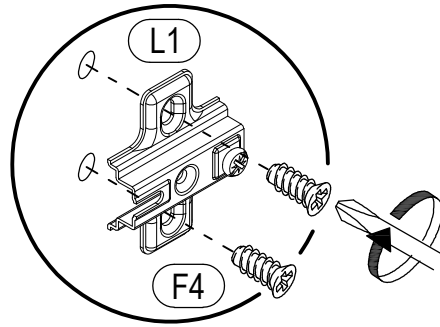
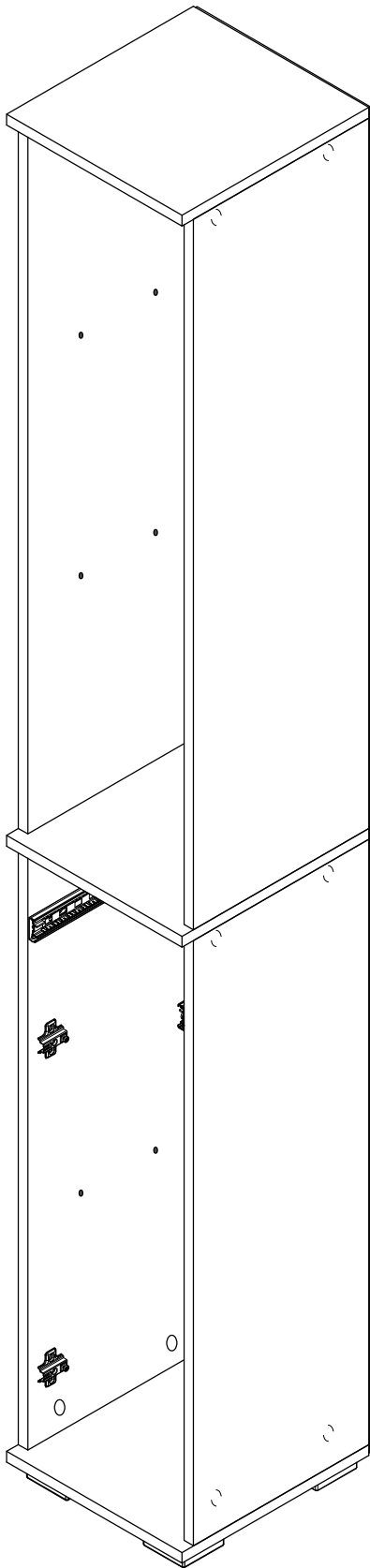




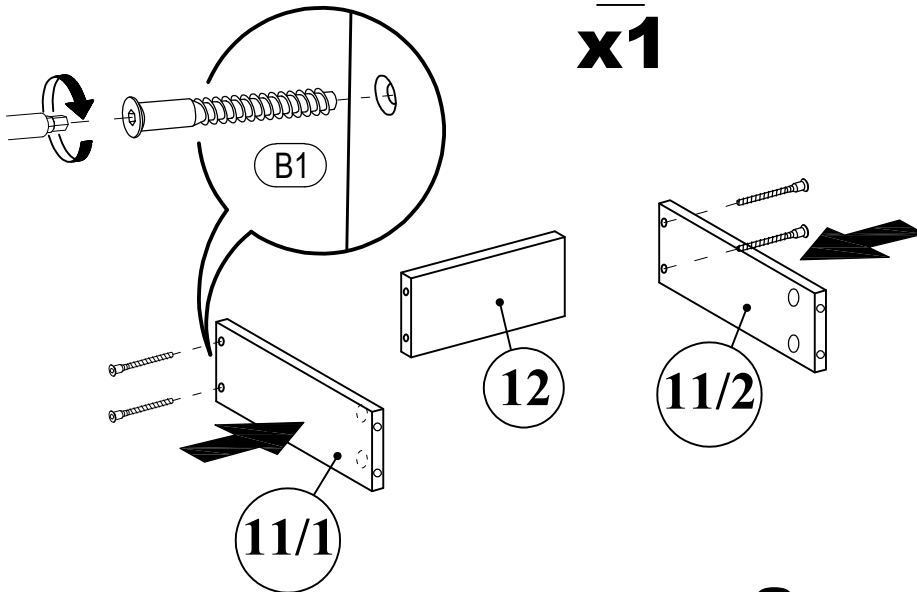
 <b>A1</b> 8*30mm x18	 <b>B</b> $\phi$ 12mm x4	 <b>B1</b> 6,3*50mm x4
 <b>C1</b> 6*43mm x18	 <b>D</b> $\phi$ 20mm x18	 <b>D1</b> 15/16 x18
 <b>E6</b> 3,5*16mm x16	 <b>E15</b> 4*30mm x8	 <b>E16</b> 4*35mm x8
 <b>F4</b> 6,3*13mm x4	 <b>I10</b> x2	 <b>J1</b> 5*16mm x12
 <b>K4</b> x4	 <b>L1</b> x2	 <b>M2</b> L-250mm x1
 <b>R3</b> 1.4*25mm 20g	 <b>U3</b> x2	

№	a*b	x	№→...
1/1	1054x300	x1	1/1
1/2	1054x300	x1	1/1
2	300x320	x1	1/1
3	268x290	x3	1/1
4	80x268	x1	1/1
5	1070x296	x1	1/1
6/1	898x300	x1	1/1
6/2	898x300	x1	1/1
7	300x320	x1	1/1
8	300x320	x1	1/1
9	688x296	x1	1/1
10	200x296	x1	1/1
11/1	250x120	x1	1/1
11/2	250x120	x1	1/1
12	210x120	x1	1/1
13	238x253	x1	1/1
14	926x296	x1	1/1
		x1	1/1

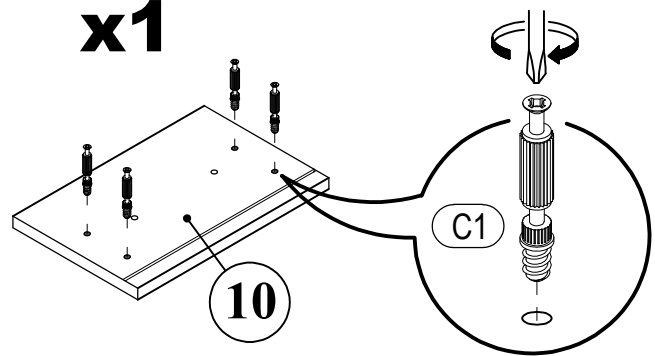




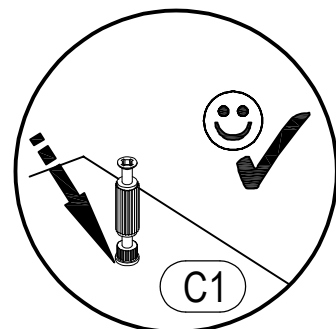
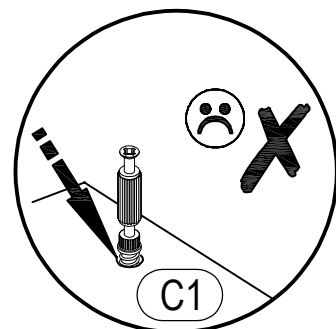
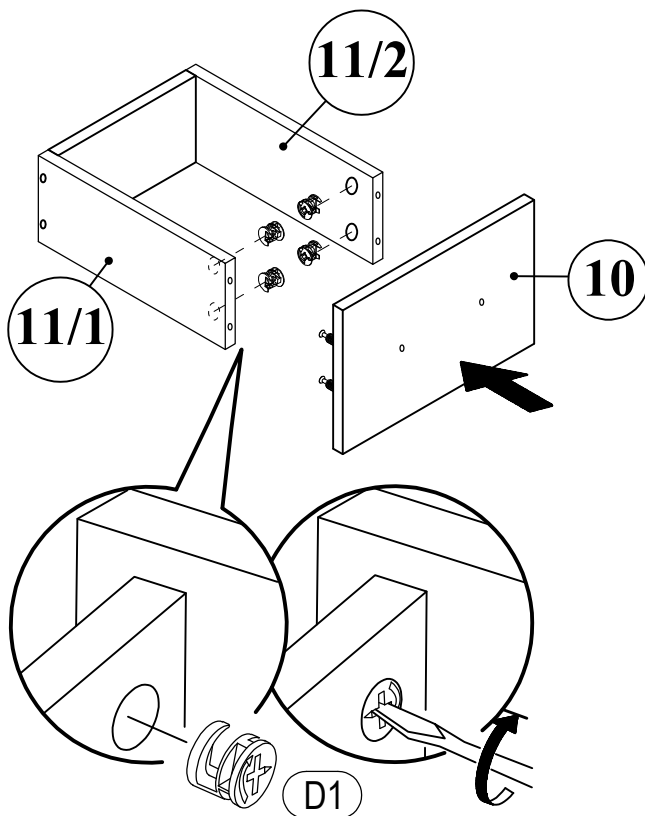
**1**  
**x1**



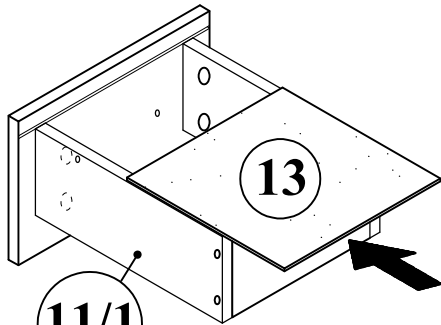
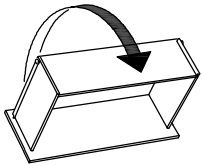
**2**  
**x1**



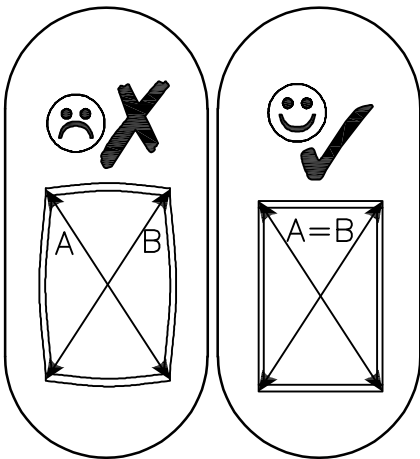
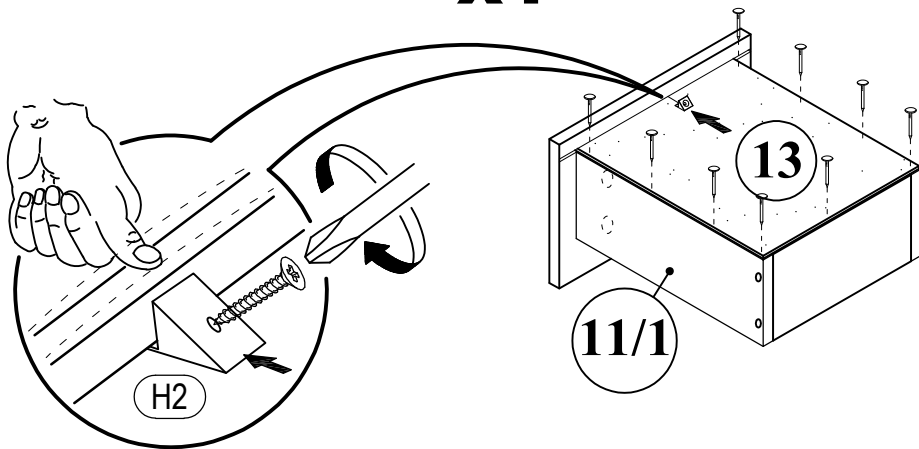
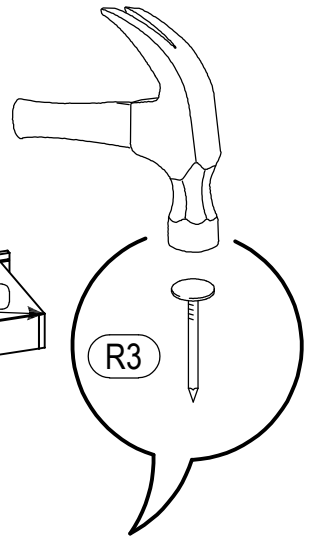
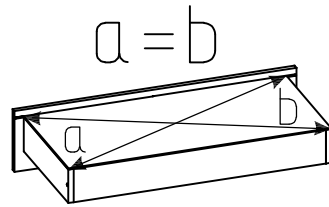
**3**  
**x1**



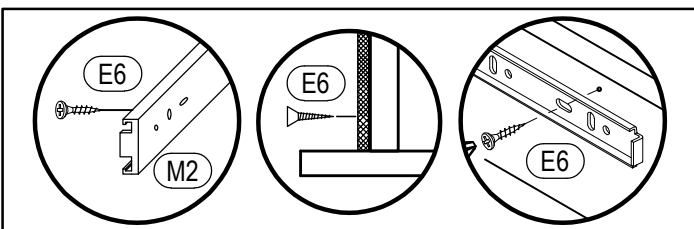
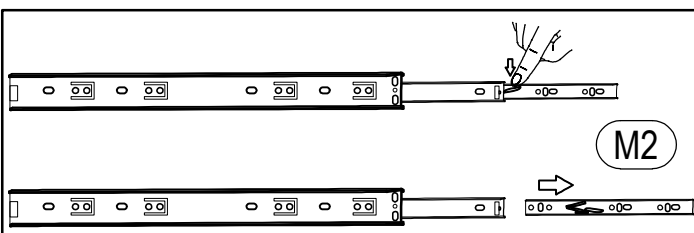
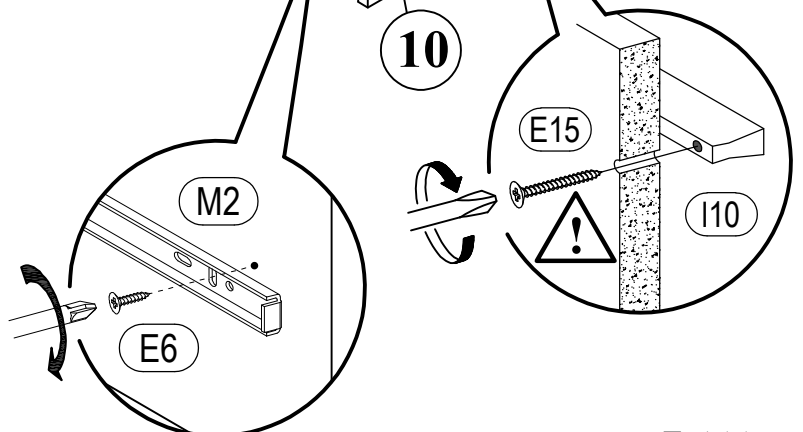
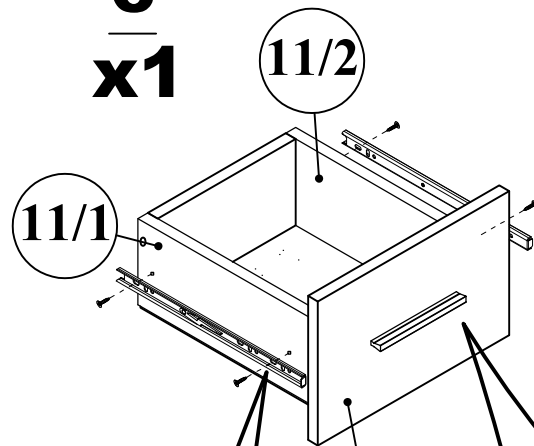
**4**  
**x1**

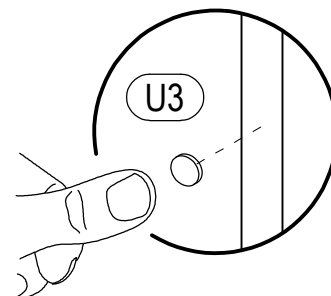
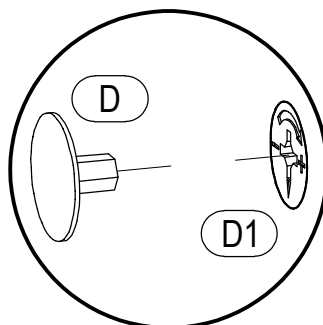
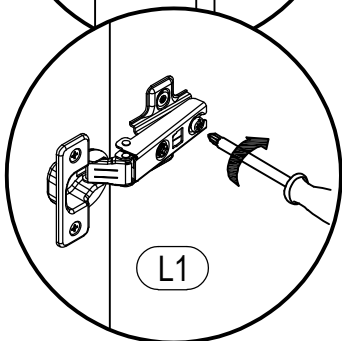
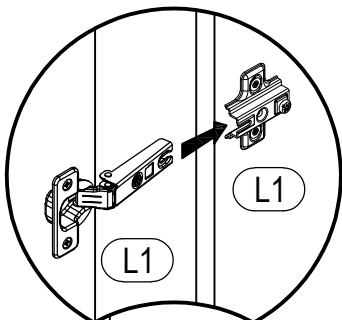
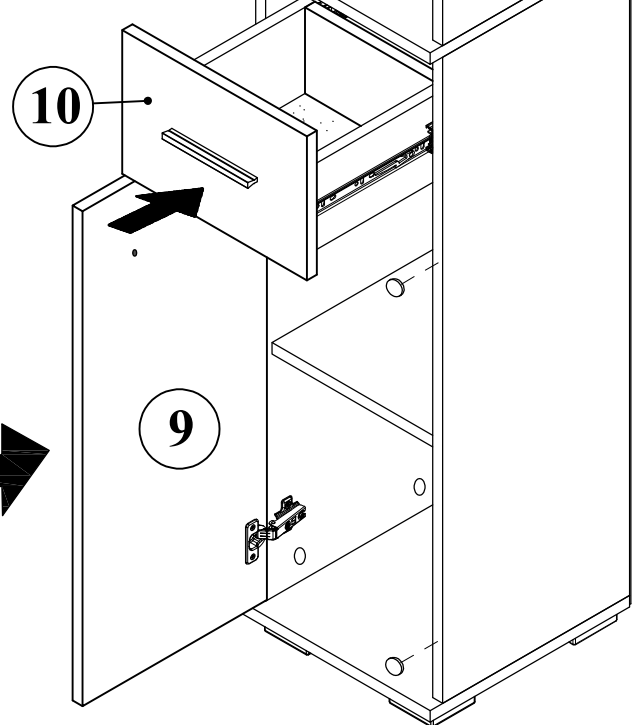
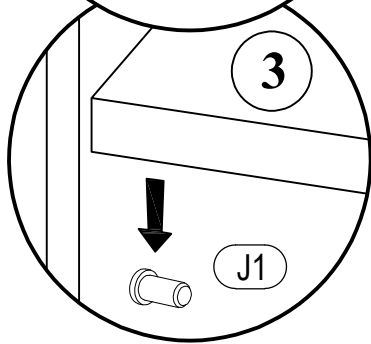
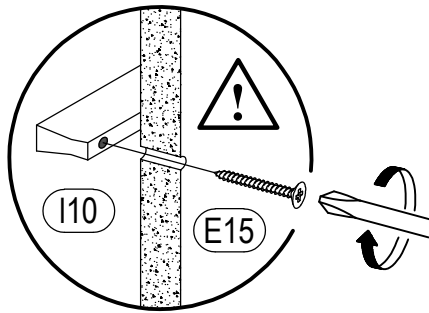
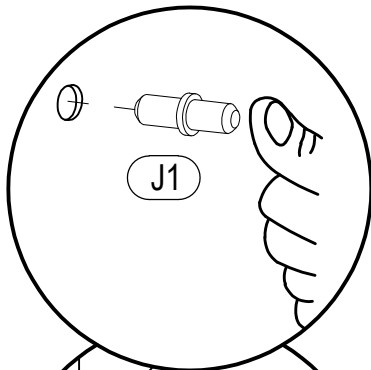
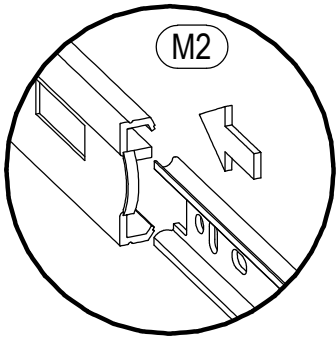


**5**  
**x1**

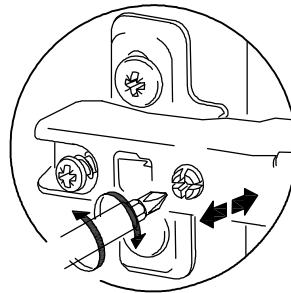
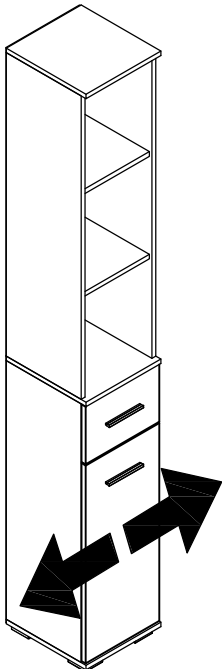
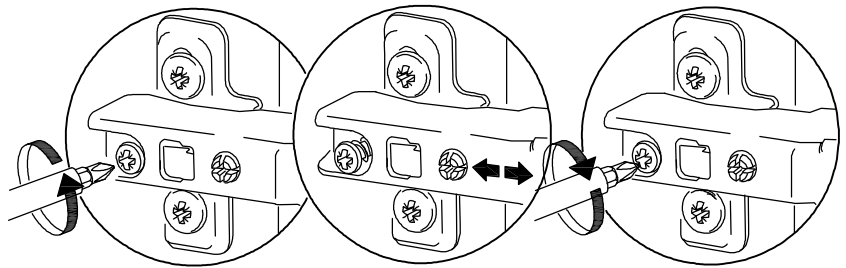
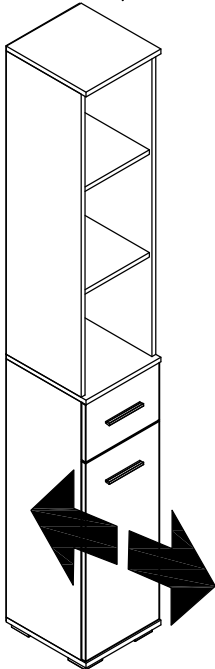
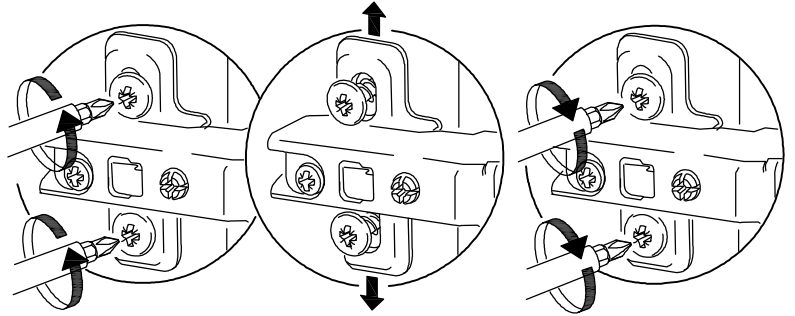
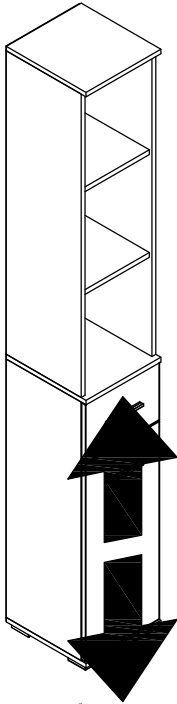


**6**  
**x1**









# Амбре / Ambre

