

Job Name _____
 Purchaser _____
 Submitted to _____
 Unit Designation _____

Location _____
 Engineer _____
 Reference Approval Construction
 Schedule # _____

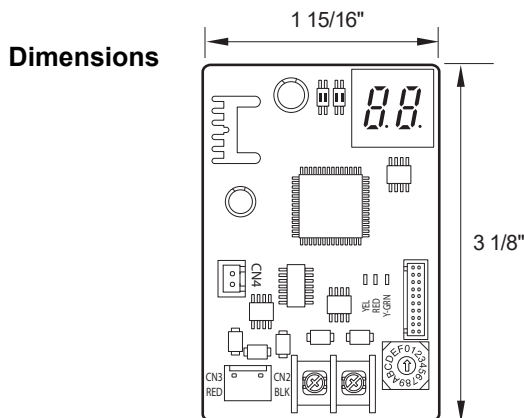
Features

- Communication converter interface module for MXD-K200VN (ERV Kit)
- Allows Fresh Access™ ERV's (Energy Recovery Ventilator) with MXD-K200VN ERV Kit to connect to Samsung NASA communication protocol central control options: MIM-D00AN, MIM-D01AUN, MIM-B17N, MIM-B17BUN, MIM-B18N, MIM-B18BUN, MCM-A202DN, MCM-A202DUN, MCM-A300N, MCM-A300UN.
- Three LED lights and 7-segment display for communication status between ERV Kit, interface module, and Samsung upper level controller
- Includes mounting plate and mounting box for easy installation and application for different units.
- Maximum of 16 MXD-K200VN ERV Kits per MIM-N10



Specifications

- Compatible with Fresh Access™ ERV model numbers AN035NSEDVA/AA, AN075NSEDVA/AA, and AN120NSEDVA/AA when ERV Kit MXD-K200VN is installed
- 12 VDC (power connection plug included).
- Connects to system main communication connection (F1/F2), with supplied plug.
- Power consumption: 2.4W
- RS485 X 2 communication
- MXD-K200VN ERV kit must be installed on the Fresh Access™ ERV to use the MIM-N10 interface module.
- Rotary dial for interface module address setting (0-F).
- Dimensions (W X H): 1 15/16" X 3 1/8"
- Maximum Communication cable length: 3,280 feet



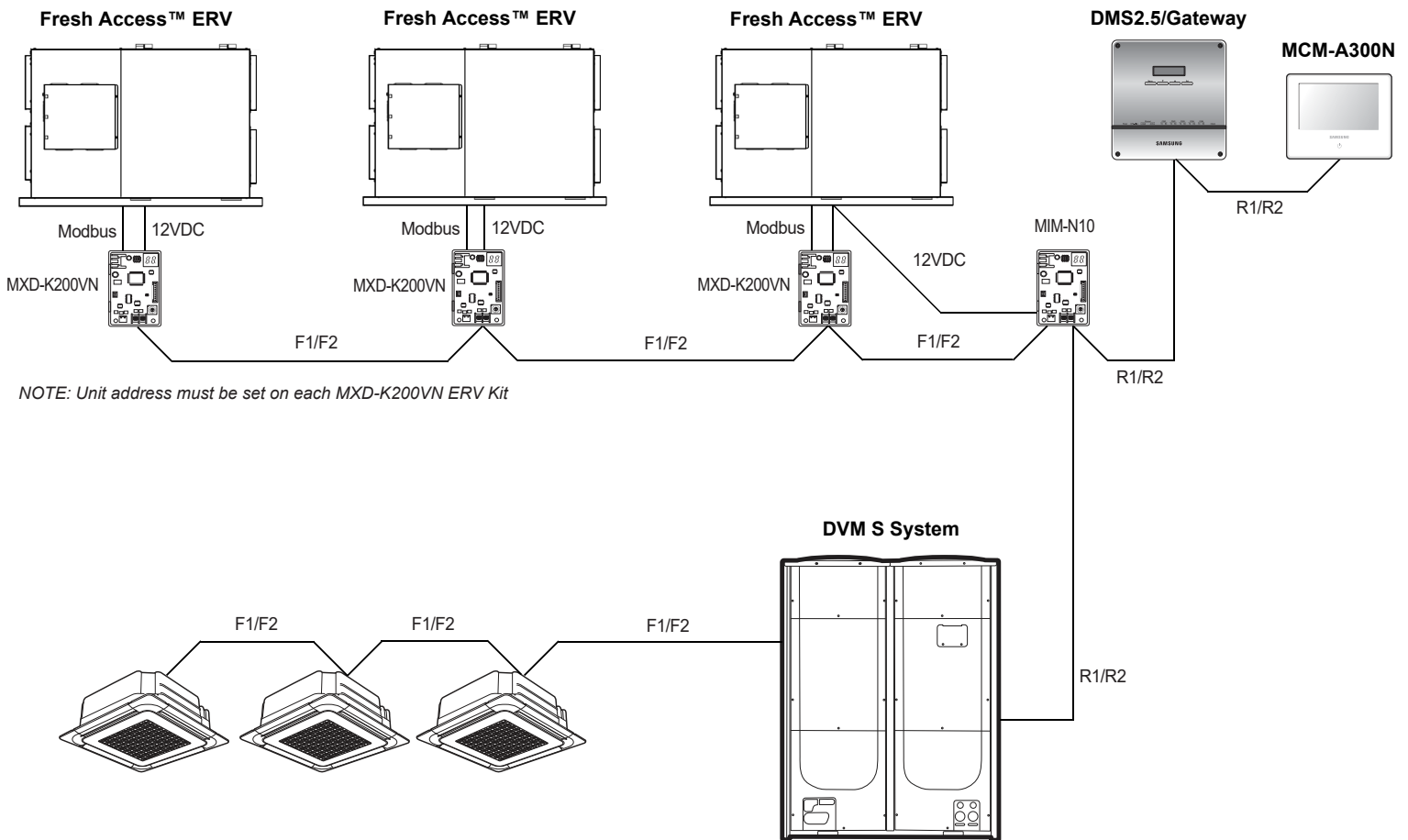
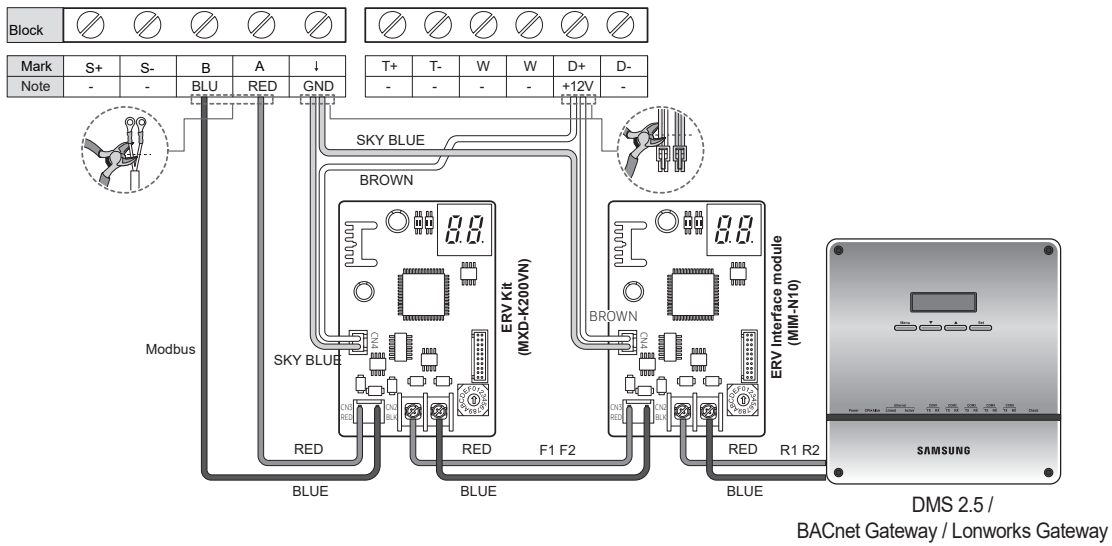
Samsung HVAC maintains a policy of ongoing development, specifications are subject to change without notice.

www.SamsungHVAC.com

888-699-6067

Samsung Central Control Interface Module for ERV Kit Basic Connection Example

Fresh Access™ ERV Terminal Block



The above wiring diagram is an example only. Please refer to the installation manuals and Technical Data Books at www.samsunghvac.com for full wiring and configuration details.