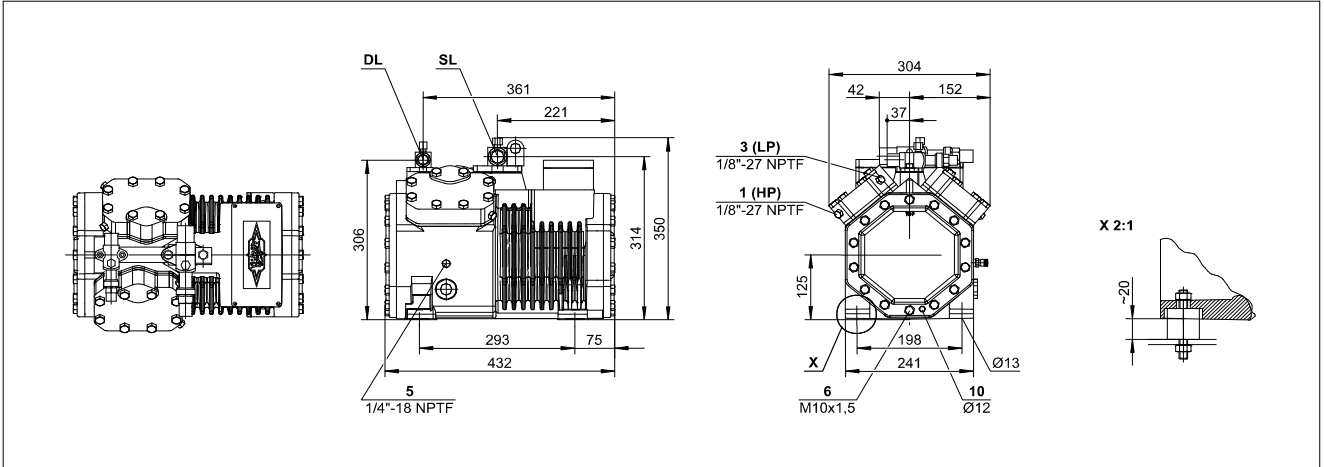




Version 5.3

14.02.2024 /

**: 4FC-5.2Y-40S**



- (1450 / 50 )	18,05 m <sup>3</sup> /h
- (1750 / 60 )	21,78 m <sup>3</sup> /h
( . )	4 x 41 mm x 39,3 mm
( )	380-420V Y-3-50 Hz
( )	10.8 A
( )	62.2 A
( / )	86 kg
	19 / 28 bar
	22 mm - 7/8"
	16 mm - 5/8"
R134a/R404A/R507A/R407C	tc<55°C: BSE32 / tc>55°C: BSE55 (Option)
R22 (R12/R502)	B5.2 (Standard)
R290/R1270	SHC226E (Standard)
	2,00 dm
	0..120 W PTC (Option)
	OLC-K1 (Option, not for R290/R1270)
	Option
	SE-B1
	IP65
	Option
	100-50% (Option)
	Option
	Standard
(+5°C/50°C) @50	66,0 dB(A) @ 50Hz
(-10°C/45°C) @50	67,0 dB(A) @ 50Hz
(-35°C/40°C) @50	(70,0) dB(A) @ 50Hz
@1 (+5°C/50°C) @50	58,0 dB(A) @ 50Hz
@1 (-10°C/45°C) @50	59,0 dB(A) @ 50Hz
@1 (-35°C/40°C) @50	(62,0) dB(A) @ 50Hz