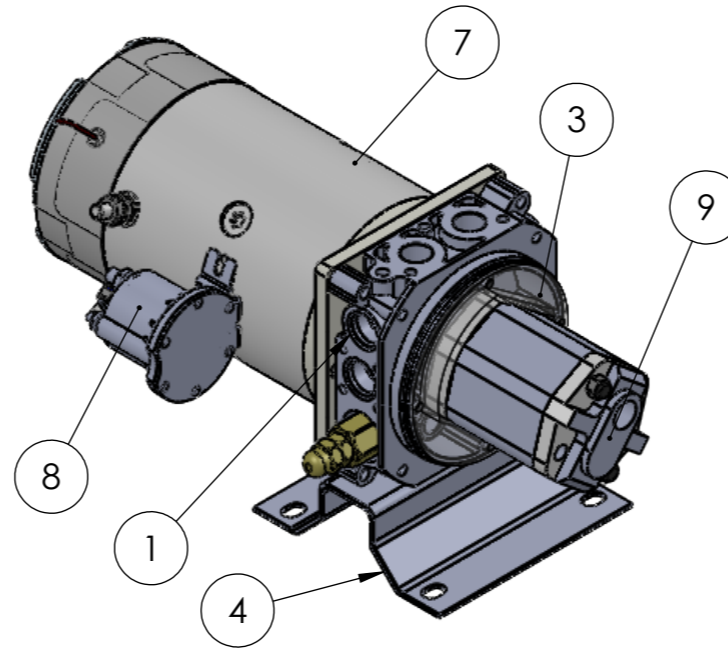
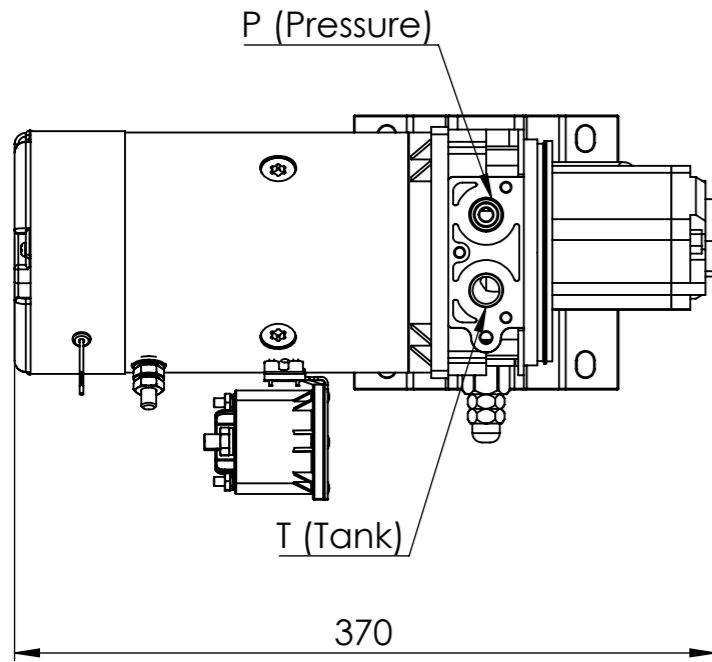
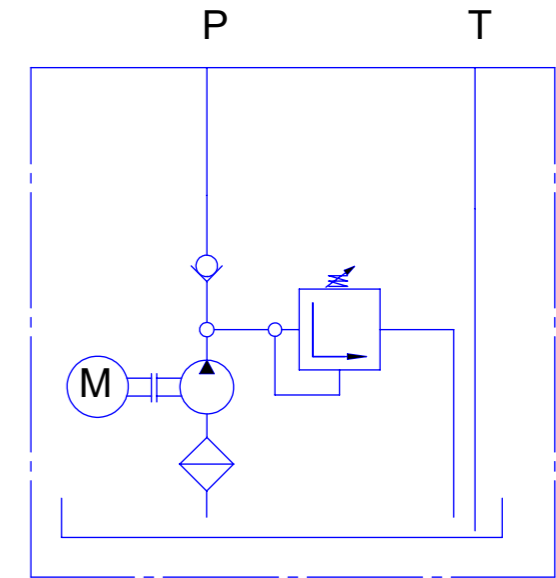
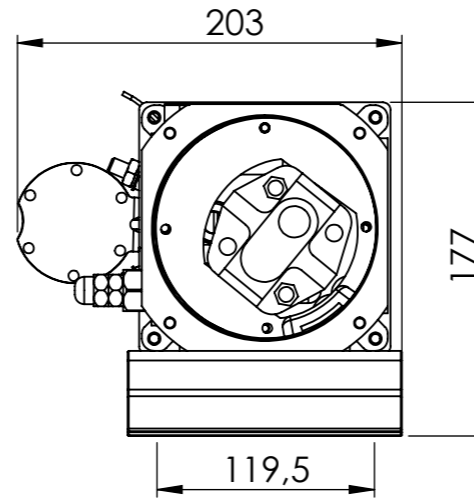
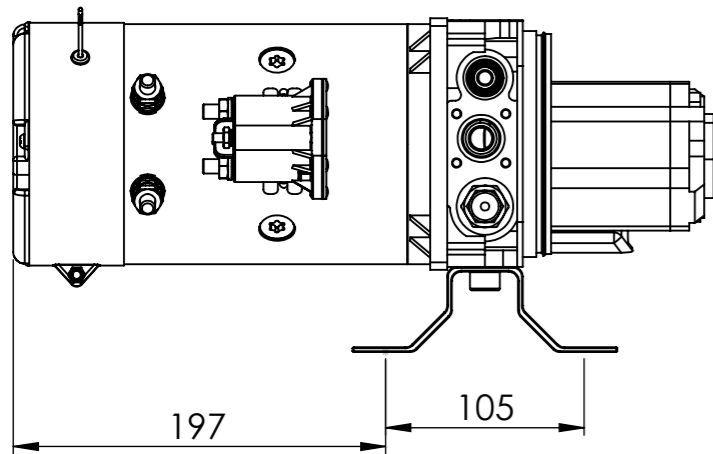



HPP/D1-.....



PART NO	PART NAME	QTY.
1	MBWOP-10(Popetsiz)	1
2	DC coupling	1
3	Return plastic	1
4	Connection plate	1
7	DC24MY-3-3500	1
8	STT24V150	1
9	10C9X302	1

Hydraulic Circuit
P, T = G 1/4"
A, B = G 3/8"



NOTES			MASS	DESIGNED BY	G.Yalvaç
ELECTRIC MOTOR	PUMP	OIL TANK	MAX PRESSURE	CHECKED BY	H.Tarhan
POWER 3 kW	DISPLACEMENT 9 cc/rev	CAPACITY	50 bar	DATE	22.04.2020
VOLTAGE 24 V AC		TYPE		REVISION	
SPEED 3500 rpm		ASSEMBLY	SET PRESSURE	REVISION DATE	
FREQUENCY		MATERIAL	50 bar		



Sanayi Mah. İzmit Sanayi Sitesi 13. cad. İç Kapı No:54
İzmit/Kocaeli-TURKEY
Tel: +90 262 335 63 66 Fax: +90 262 335 63 70
www.hydropack.com.tr / info@hydropack.com.tr

DESCRIPTION
MINI POWERPACK

SCALE: 1:5

DIMENSIONS: mm

A3