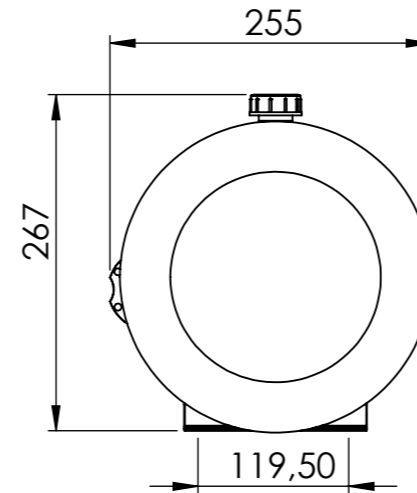
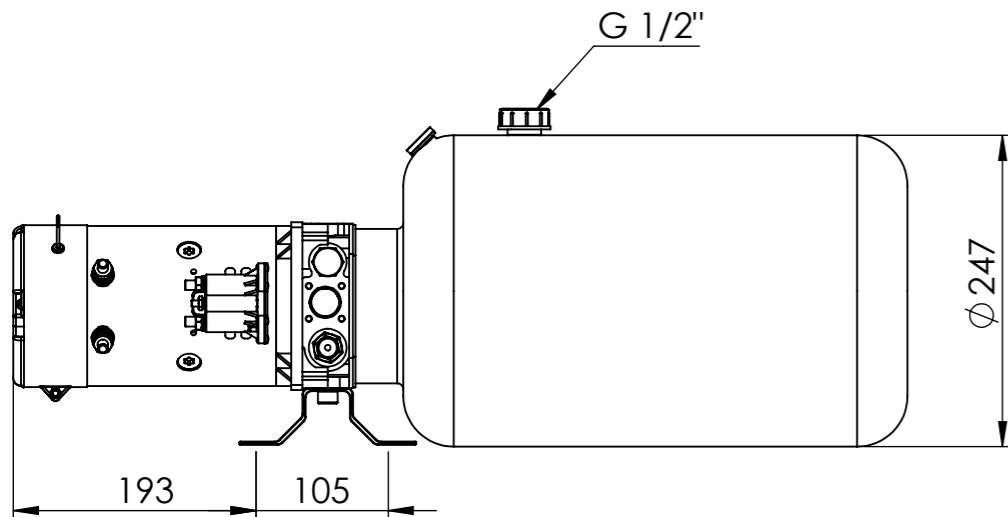
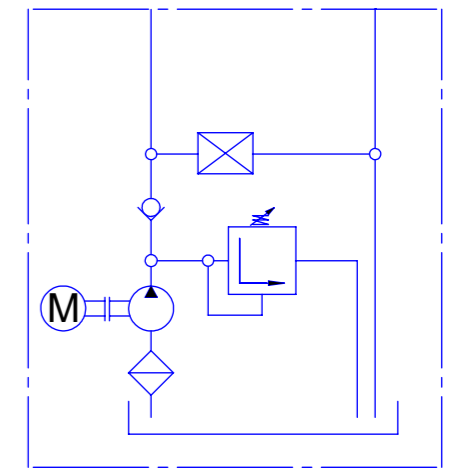



PART NO.	PART NAME	QTY.
1	MBWP-10(Popetli)	1
2	DC Coupling	1
3	Weld Neck	1
4	Connection Plate	1
5	PRV	1
6	AB 1/2"	1
7	10C3.7X302	1
8	BP-3_4 UNF	1
9	SP-45	1
10	Filter	1
11	DC24E-3-3500-F	1
12	TP18YD	1
13	STT24V150	1
14	BP-FC	1

Hydraulic Circuit
P, T = G 3/8"

P T



NOTES			MASS	DESIGNED BY	B.Gürel
ELECTRIC MOTOR	PUMP	OIL TANK	MAX PRESSURE	CHECKED BY	H.Tarhan
POWER 3 kW	DISPLACEMENT 3.7 cc/rev	CAPACITY 18 liter	110 bar	DATE	24.06.2023
VOLTAGE 24 V DC		TYPE Cylinder		REVISION	
SPEED 3500 rpm		ASSEMBLY Horizontal		REVISION DATE	
FREQUENCY		MATERIAL Steel			



Ovacık, Kullar Cad. No:177, 41140
Başiskele/Kocaeli-TURKEY
Tel: +90 262 335 63 66 Fax: +90 262 335 63 70
www.hydropack.com.tr / info@hydropack.com.tr

DESCRIPTION

MINI POWERPACK

SCALE: 1:5

DIMENSIONS: mm

A3