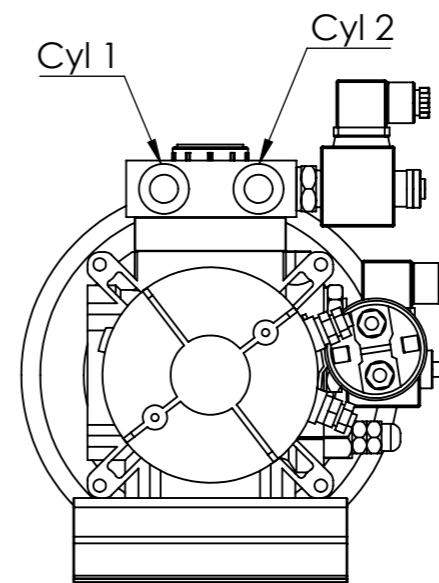
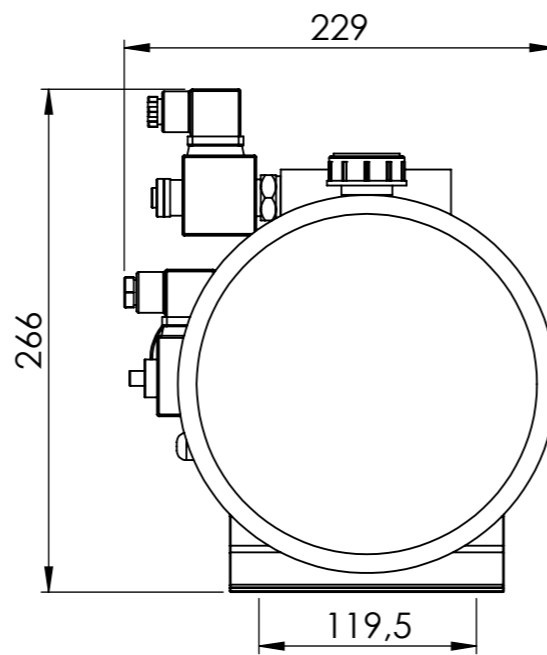
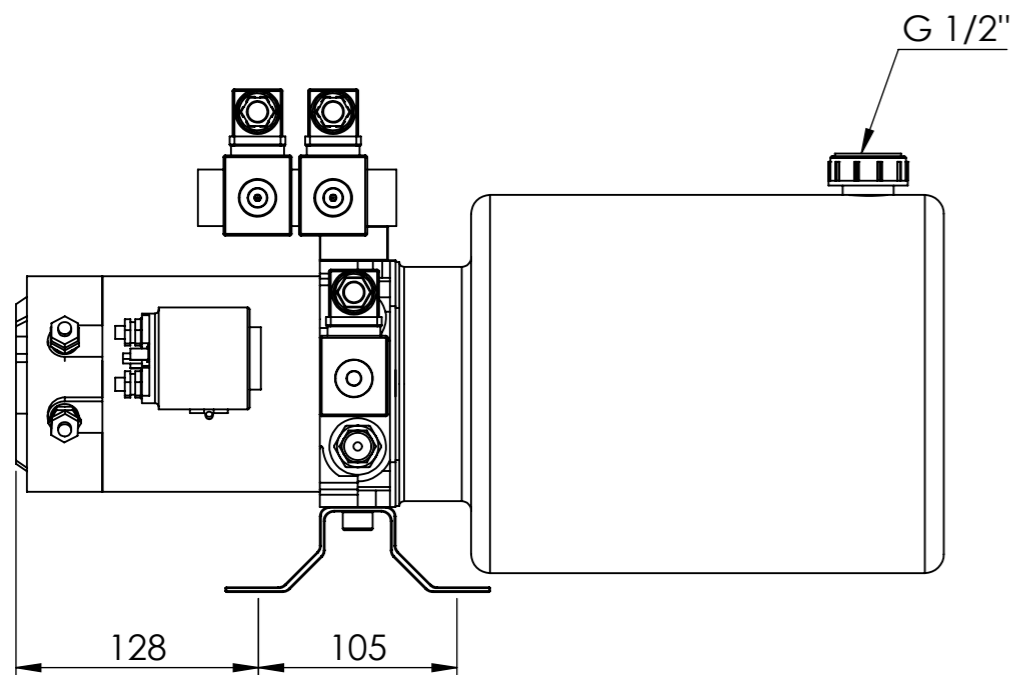
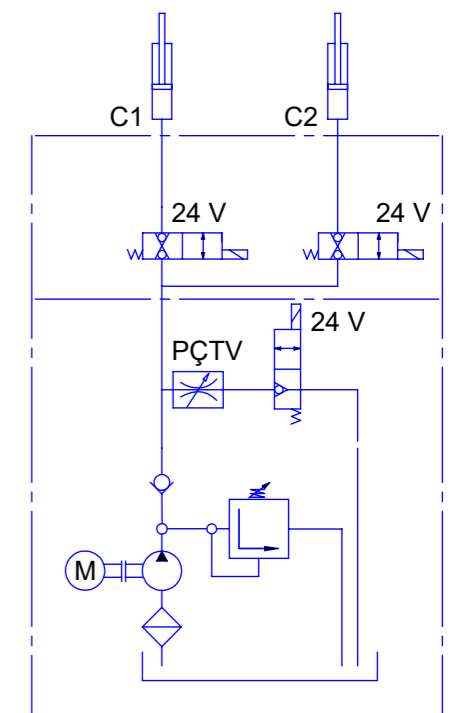


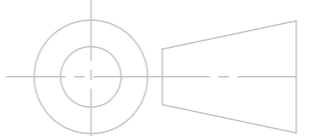
PART NO.	PART NAME	QTY.
1	MBWP-10	1
4	Connection plate	1
7	Pressure relief valve	1
8	10C4.2X302	1
9	DC24-2.2-2500	1
10	Starter	1
13	P-NC-24	1
14	PÇTV	1
15	TP08Y	1
16	BLDOOR-SN	1
17	P-DL-24	2



Hydraulic Scheme

Output ports are G 3/8"



NOTES			MASS	DESIGNED BY	Gürkan Yalvaç
ELECTRIC MOTOR	PUMP	OIL TANK	MAX PRESSURE	CHECKED BY	Halil Tarhan
POWER 2.2 kW	DISPLACEMENT 4.2 cc/rev	CAPACITY 8 liter	105 bar	DATE	25.05.2018
VOLTAGE 24 V DC		TYPE Cylinder		REVISION	
SPEED 2500rpm		ASSEMBLY Horizontal		REVISION DATE	
FREQUENCY		MATERIAL Steel			



Sanayi Mah. İzmit Sanayi Sitesi 13. cad. İç Kapı No:54
İzmit/Kocaeli-TURKEY
Tel: +90 262 335 63 66 Fax: +90 262 335 63 70
www.hydropack.com.tr / info@hydropack.com.tr

DESCRIPTION

MINI POWERPACK

SCALE: 1:5

DIMENSIONS: mm

A3