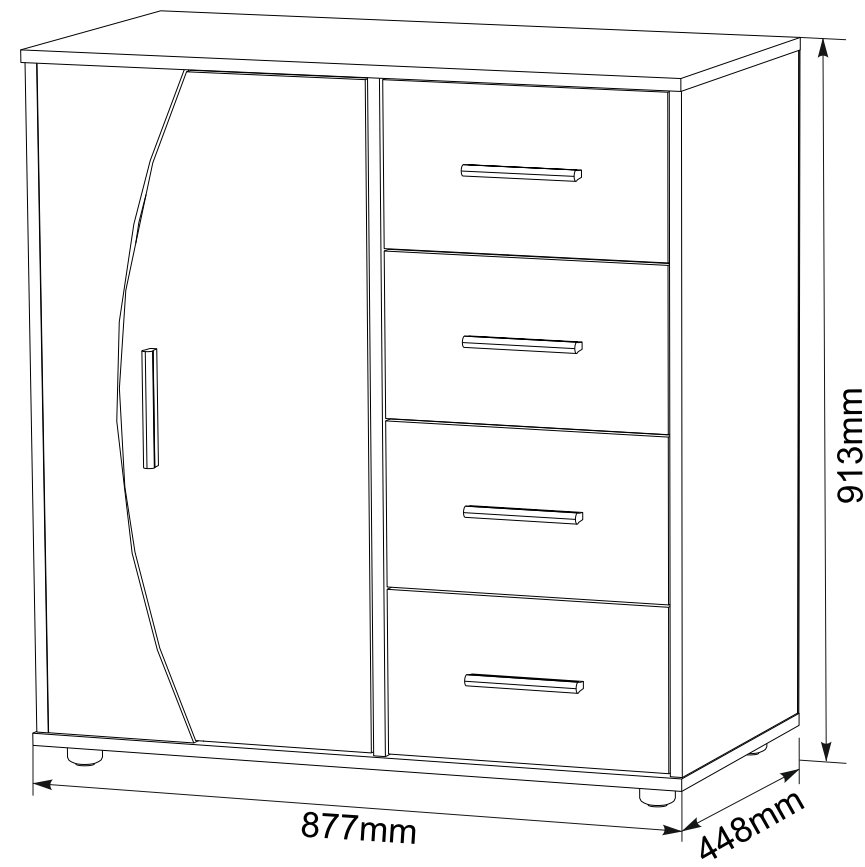


(ENG) **Commode "Commode-4-1-1"**

(UA) **Комод "Комод-4-1-1"**



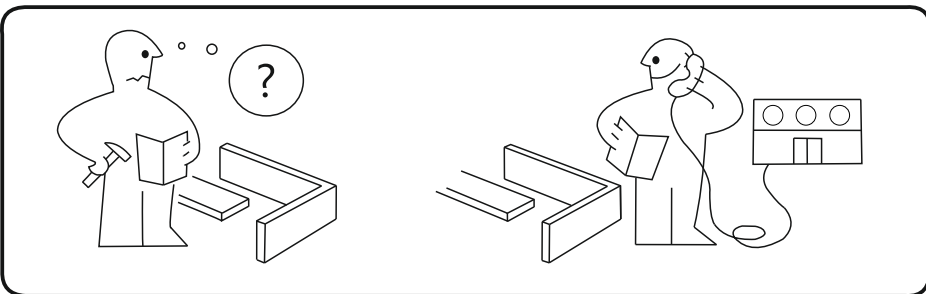
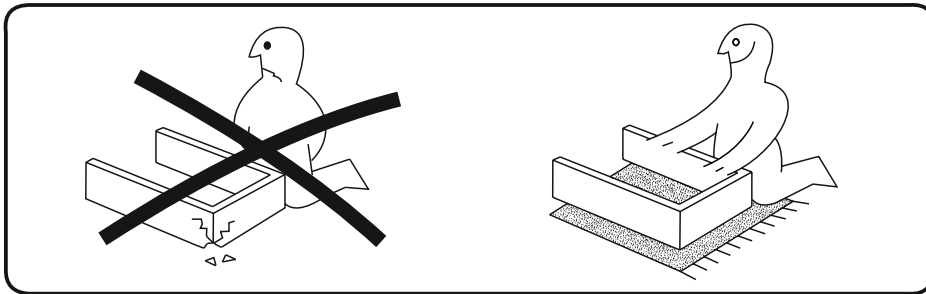
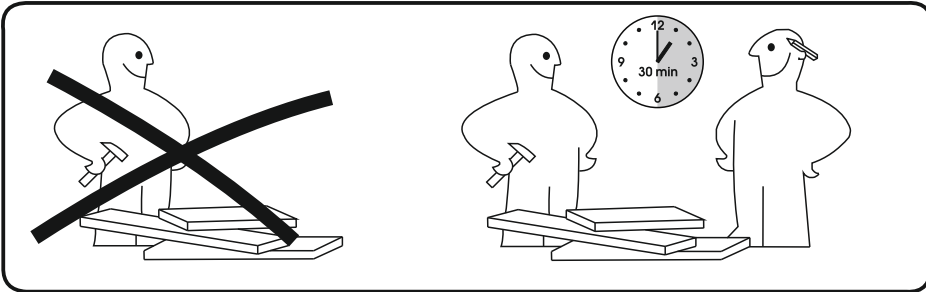
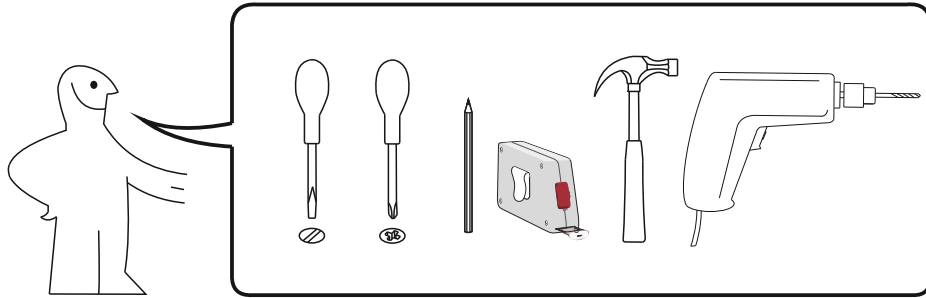
5x H1	10x U	10x N3 φ 4x35 mm
2x L4	1x R	1x J
32x A1 φ 8x30	4x B	
56x E3 φ 3.5x16 mm	20x B1 φ 6,4x50mm	
4x M3 L=400 mm	70x Q	
8x E10	4x K	

№	a x b	x
1	877x448	1
2	877x448	1
3	445x380	1
4	855x440	1
5	855x440	1
6	855x440	1
7	848x339	1
8	855x220	1
9	400x100	8
10	320x100	4
11	376x208	4
12	880x465	1
13	880x403	1
14	405x353	4

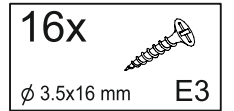
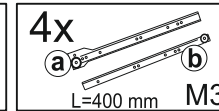
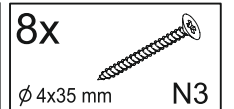
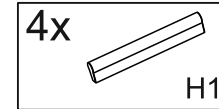
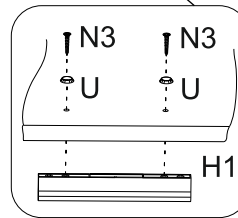
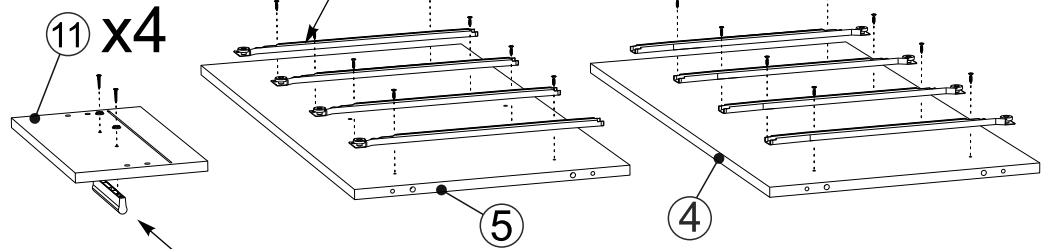
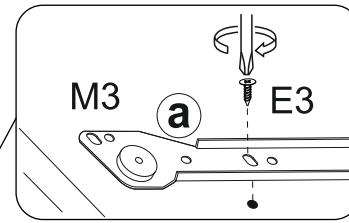
■ - DVP/ДВП

“Commode-4-1-1”

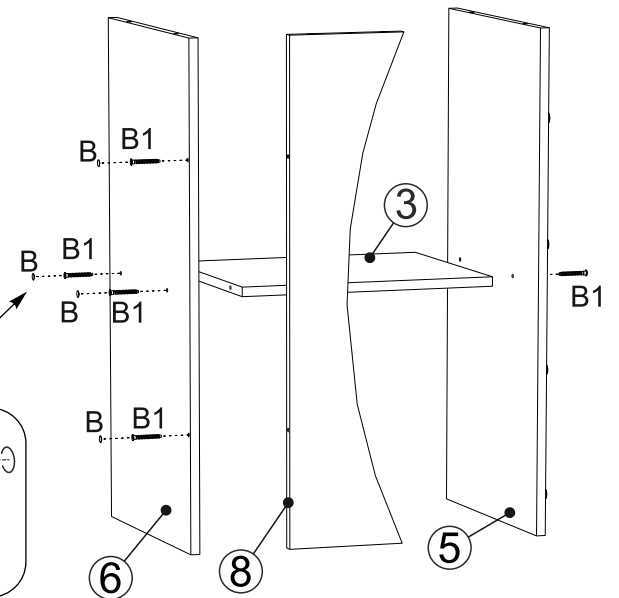
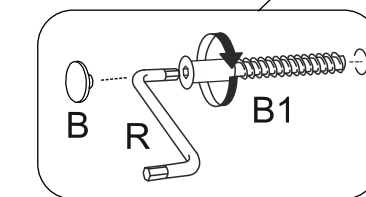
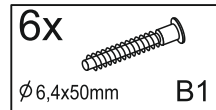
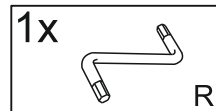
“Комод-4-1-1”



1

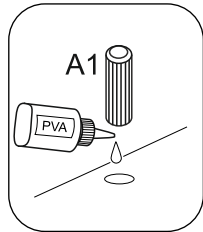


2

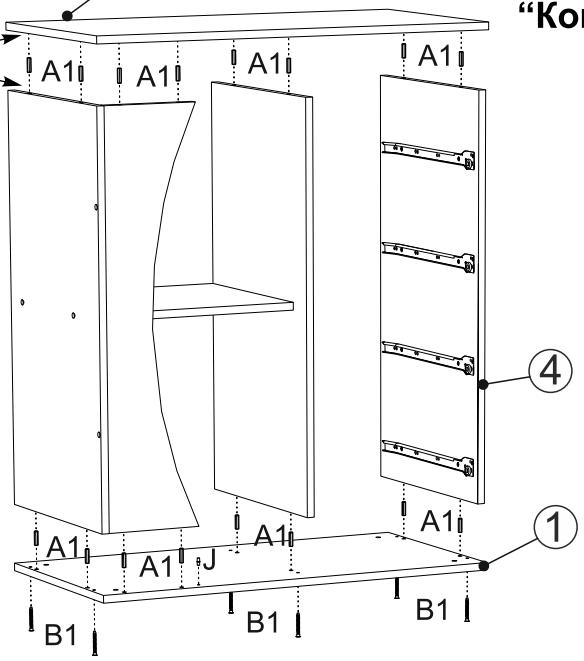


2

3



2



16x
∅ 8x30 A1

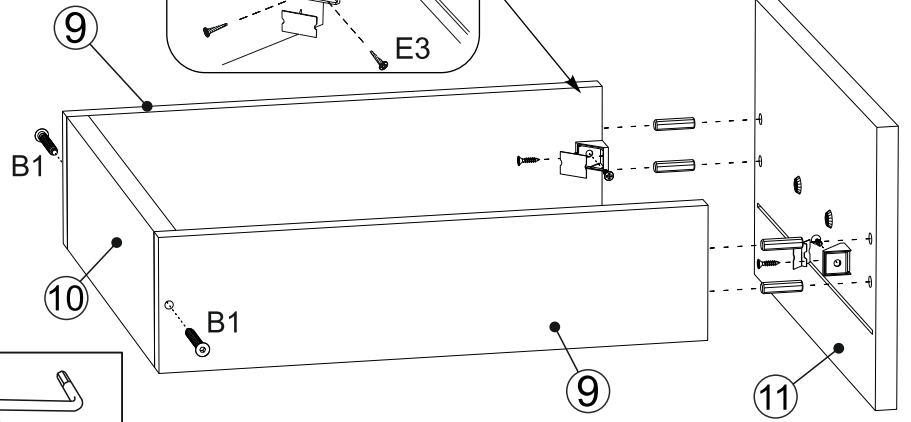
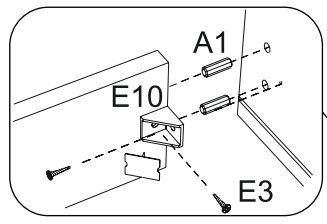
1x J

1x R

6x
∅ 6,4x50mm B1

“Commode-4-1-1”
“Комод-4-1-1”

x4 5



1x R

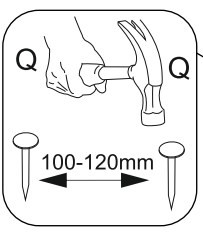
8x
∅ 6,4x50mm B1

16x
∅ 8x30 A1

8x E10

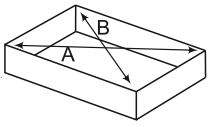
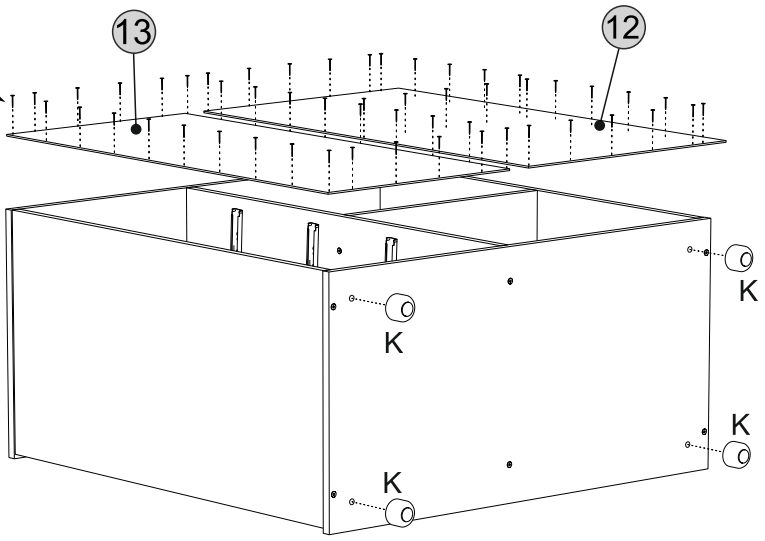
16x
∅ 3.5x16 mm E3

4



13

12



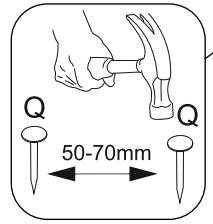
A=B

54x Q

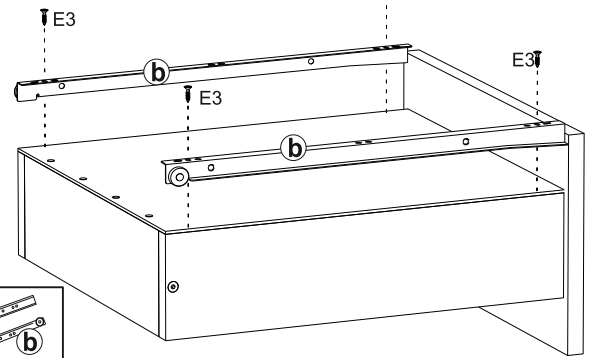
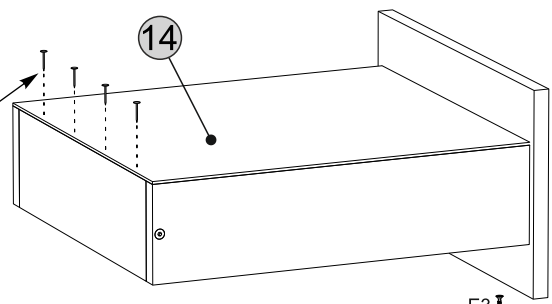
4x K

6

x4



14



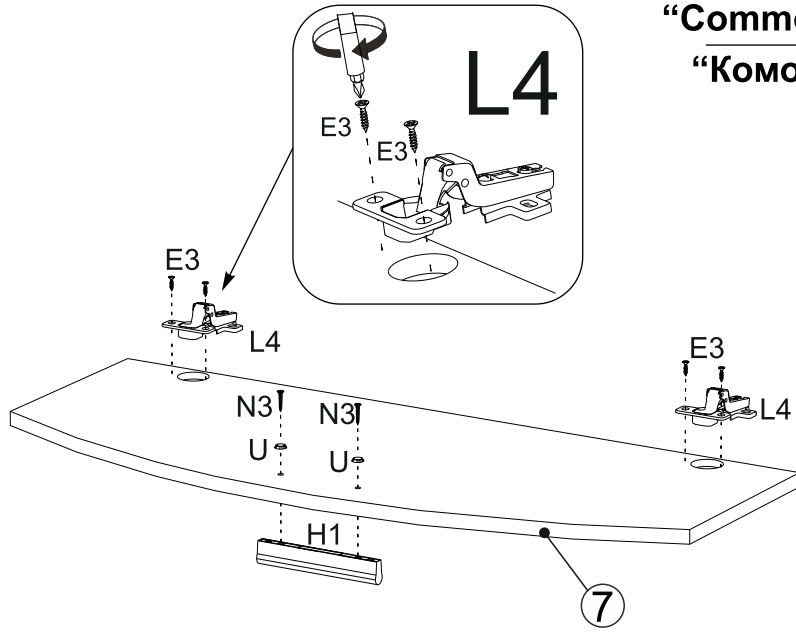
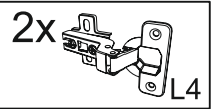
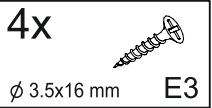
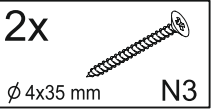
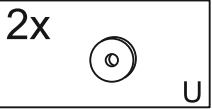
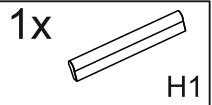
16x Q

16x
∅ 3.5x16 mm E3

4x
L=400 mm M3

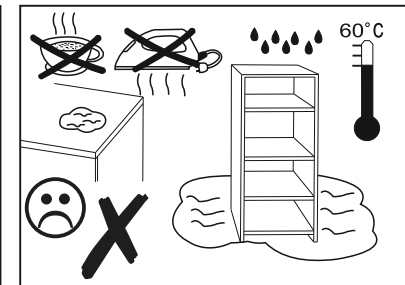
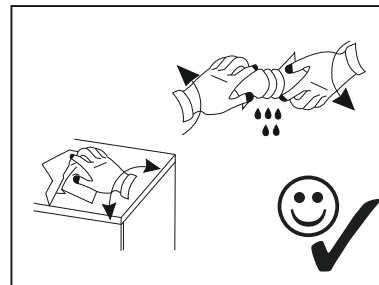
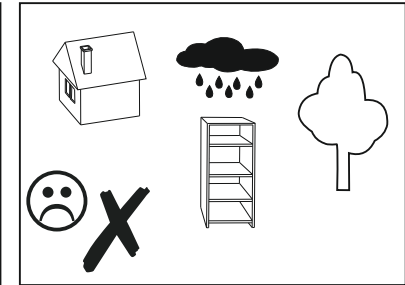
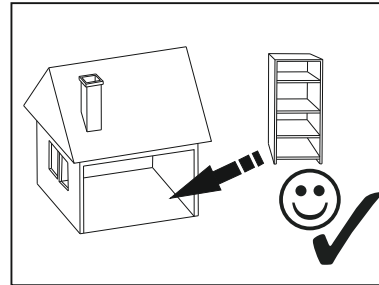
3

7



“Commode-4-1-1”

“Комод-4-1-1”



8

