

CUBIC 15

AIR-OPERATED DOUBLE DIAPHRAGM PUMPS



- Product designed and constructed in Italy
- PATENTED stall-prevention pneumatic circuit
- Operates with non-lubricated air
- SELF-PRIMING
- Dry operation
- ATEX certification for ZONE 1 - ZONE 2
- Adjustable operating speed
- Extremely versatile
- Suitable for pumping fluids in demanding applications
- Suitable for continuous use

CUBIC PUMPS CODES ENCODING

ex. ICU15P-NTTPV -

Internal distributor, Cubic 15, PP casing, NBR air side diaphragm, PTFE product side diaphragm, PTFE balls, PP ball seats, Viton® o-ring.

I	CU15	P	N	T	T	P	V	-	-
INTERNAL DISTRIBUTOR	PUMP MODEL	DAMPER PUMP	AIR-SIDE DIAPHRAGM	PRODUCT-SIDE DIAPHRAGM	BALLS	BALL SEATS	O-RING*	SPLIT MANIFOLD	CONDUCT VERSION
I	MID - Midgetbox (available only in PP/PP+CF) CU15 - Cubic 15	P - Polypropylene EC - ECTFE (Halar) PC - PP+CF	N - NBR	T - PTFE	G - Pyrex® ¹⁾ A - AISI 316 T - PTFE	R - PPS-V K - PEEK ¹⁾ P - PP EC - ECTFE A - AISI 316 I - PE-UHMW	D - EPDM V - Viton® N - NBR T - PTFE	X Split manifold Y NPT thread J Spacer on shaft	C*

1) Only for MIDGETBOX

*C version CONDUCT for standard ATEX ZONE 1Ex II 2/2GD c IIB T135°C

CUBIC 15

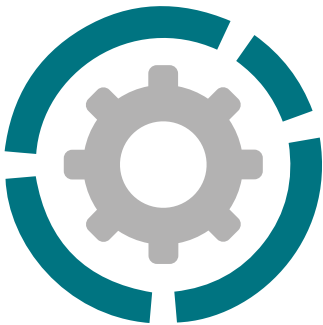
AIR-OPERATED DOUBLE DIAPHRAGM PUMPS



Specifications and types



STANDARD: II 3G Ex h IIB T4 Gc - II 3D Ex h IIIB T135°C Dc X
CONDUCT: II 2G Ex h IIb T4 Gb - II 2D Ex h IIIB T135°C Db X



Suction / delivery connections	G 3/8" f(*)
Air fitting	G 3/8" f
Max flow rate*	17 l/min
Max supply air pressure	8 bar
Max head*	80 m
Max negative suction head - dry-running**	3 m
Max negative suction head - pump primed	9,5 m
Max diameter of suspended solids	0.5 mm
Noise level	65 dB
Volume per stroke	10.3 cc

(*) NPT fittings on request

** The value depends on the pump configuration.



PP

Cubic 15



Maximum Dimensions

Height	105 mm
Width	201 mm
Depth	105 mm



Construction materials (casing and manifolds) and net weight

Polypropylene (with glass additive)	1.35 Kg
	Temp. 3°C min. 65°C max

Conductive polypropylene (with carbon additive)	1.35 Kg
	Temp. 3°C min. 65°C max



Construction materials (casing and manifolds) available on request

POMc
UHMWPE



ECTFE

Cubic 15



Maximum Dimensions

Height	105 mm
Width	201 mm
Depth	105 mm



Construction materials (casing and manifolds) and net weight

ECTFE	1. Kg
	Temp. 3°C min. 95°C max



Construction materials (casing and manifolds) available on request

POMc
UHMWPE

Any chromatic variations in our polypropylene and PVDF products are due to the special mixtures of the raw materials used. The use of high quantities of, respectively, glass and carbon additives, results in a unique aesthetic that does not affect the quality of the product in any way. Quite the opposite, it highlights its highly technological nature, to the benefit of its performance.

CUBIC 15

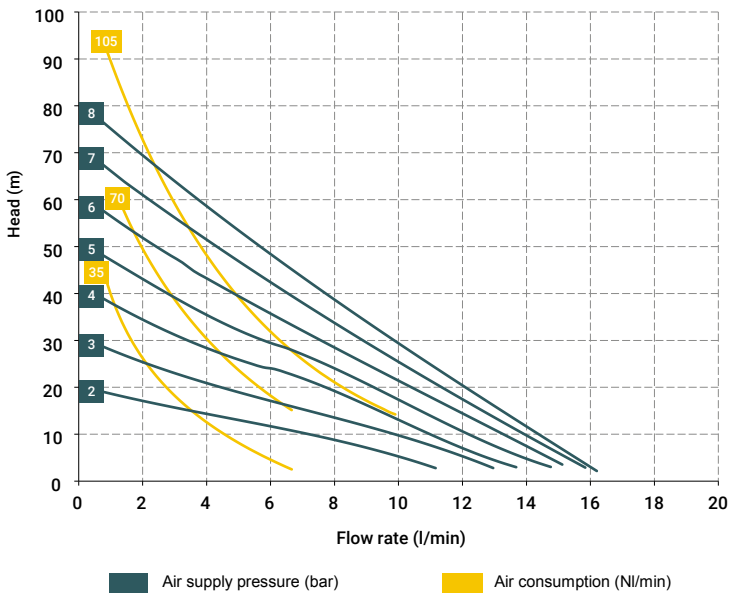
AIR-OPERATED DOUBLE DIAPHRAGM PUMPS



Specifications and types



STANDARD: II 3G Ex h IIB T4 Gc - II 3D Ex h IIIB T135°C Dc X
 CONDUCT: II 2G Ex h IIb T4 Gb - II 2D Ex h IIIB T135°C Db X



*The curves and the performances refer to pumps with immersed suction and open delivery outlet, with water at 20°C and vary based on the composition materials.

MAIN APPLICATION SECTORS



WATER AND SLUDGE TREATMENT



PACKING, GLUE, PAPER AND PAPER MILLS



CERAMIC, STONE, MARBLE GLASS AND MINING INDUSTRY



GALVANIC AND ELECTRONIC INDUSTRY



CHEMICAL INDUSTRY



GRAPHIC INDUSTRY

T15 distributor material (pneumatic circuit):

- POM

Central material:

- Polypropylene (with glass additive)
- Conductive polypropylene (with carbon additive)

Diaphragm materials:

- PTFE
- NBR

Caps materials:

- Polypropylene (with glass additive)
- Conductive polypropylene (with carbon additive)
- PVDF

Balls materials:

- PTFE
- AISI 316
- EPDM

O-ring materials:

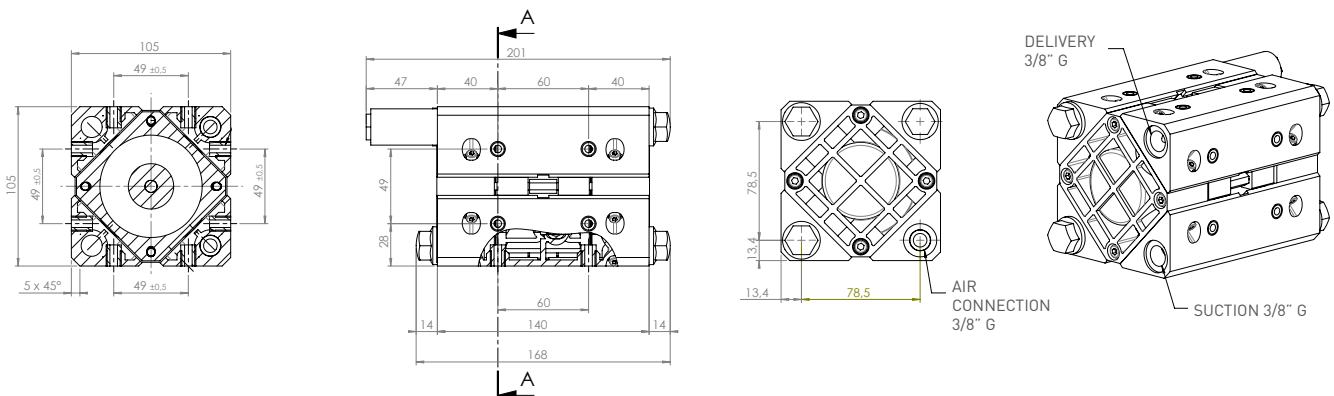
- EPDM
- NBR
- VITON®
- PTFE

Package:

cardboard box - cm 14 x 19 x 14 - weight 0.17 Kg
 (the weight refers to the package only, without the pump)

Accessories:

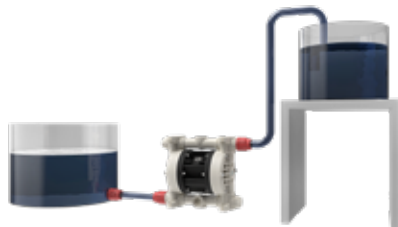
- Equaflex 51
 (For the dampener materials refer to the relative technical sheet)
- Foot valve:
- VALVF000038APP (POLYPROPYLENE)
- VALVF000038AFV (PVDF)
- Air regulation kit W1000-8-G
- Batch controller
- Cycle counter



SELF-PRIMING USE



UNDER HEAD USE



DRUM TRANSFER

