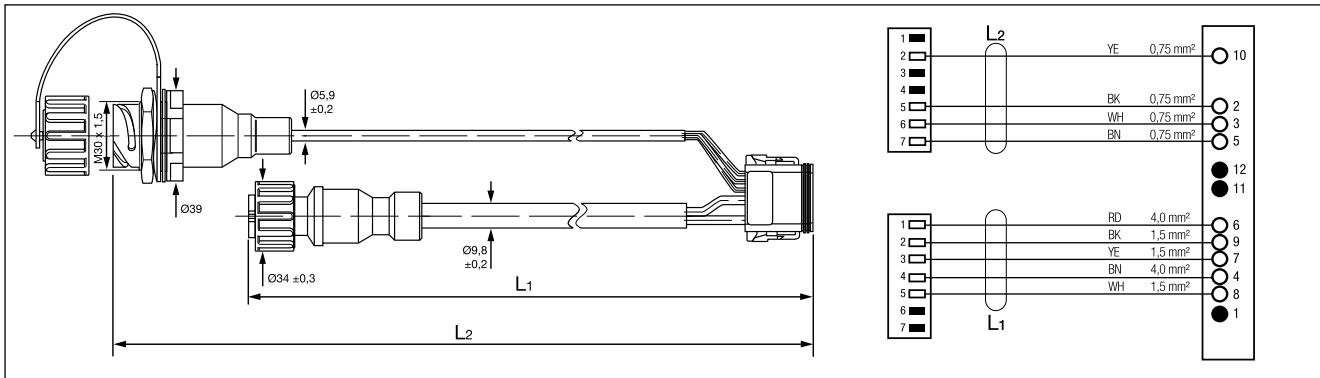


Power Supply Wiring Harness (ISO 7638 only) with Diagnostic Socket



Part No.	Type No.	Cable length L [m]	Comments
K010838 ¹⁾	-	L ₁ = 0.5 L ₂ = 6.0	L ₁ = power supply (ISO 7638) L ₂ = diagnostic socket Use with Power Supply Cable (page 5)