

DM 06

MAGNETIC DRIVE CENTRIFUGAL PUMPS



- Product designed and constructed in Italy
- Constructed in polypropylene or PVDF
- Under head use
- Extremely easy to maintain
- Suitable for continuous use



DM PUMPS CODES ENCODING

ex. DM10P-SD1BE071

DM10 PP, standard thrust bearing, EPDM o-ring, Ø 98 mm impeller, BSP fitting, MEC motor flange, 071 casing.

DM10	P	S	D	1	B	E	071
PUMP MODEL	DAMPER PUMP	THRUST BEARING	O-RING	IMPELLER	FITTING	MOTOR MOTOR	CASING
DM06 DM10 DM15 DM30	P - Polypropylene FC - PVDF+CF	S - Standard (ceramic + PTFE Graphite)	D - EPDM V - Viton®	DM06 1=Ø 81 2=Ø 70 3=Ø 65 DM10 1=Ø 98 2=Ø 85 3=Ø 70 DM15 1=Ø 123 2=Ø 108 3=Ø 90 DM30 1=Ø 134 2=Ø 122 3=Ø 110	N - NPT B - BSP	E - MEC U* - NEMA	DM06 063 071 DM10 071 080 DM15 090 DM30 090 100 112

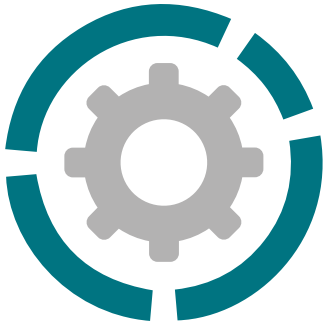
* Only the pump can be supplied, with American flange, for coupling with NEMA motor

DM 06

MAGNETIC DRIVE CENTRIFUGAL PUMPS



Specifications and types



Suction fittings	G 1" f or DN 25 - NPT
Delivery fittings	G 3/4" m or DN 20 - NPT
Max flow rate	7 m3/h
Max head	8.5 m
Viscosity up to	150 cps

PP



PVDF



Standard electric motor:

Kw 0.25 HP 0.35

Casing B3+B5 RPM 2900

Three-phase 230/400 V

50/60 HZ

2 Poles IE1 Protection IP55

Ambient temperature -30°C + 45°C

Kw 0.37 HP 0.5

Casing B3+B5 RPM 2900

Three-phase 230/400 V

50/60 HZ

2 Poles IE1 Protection IP55

Ambient temperature -30°C + 45°C

Kw 0.25 HP 0.35

Casing B3+B5 RPM 2900

Single-phase

Ambient temperature -30°C + 45°C

Kw 0.37 HP 0.5

Casing B3+B5 RPM 2900

Single-phase

Ambient temperature -30°C + 45°C

Electric motors available on request:

SINGLE-PHASE

ATEX

NEMA 56C*

*[only pump available, with American flange, for coupling with NEMA motor - the motor is not available in our standard]

Operating temperature:

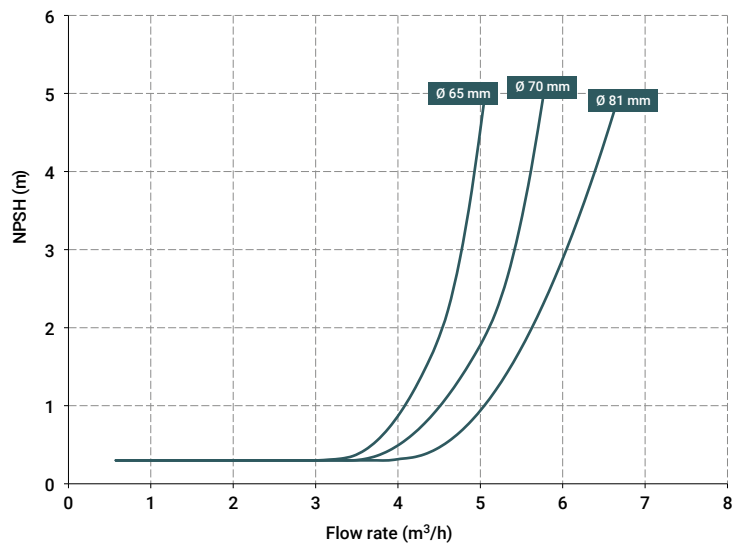
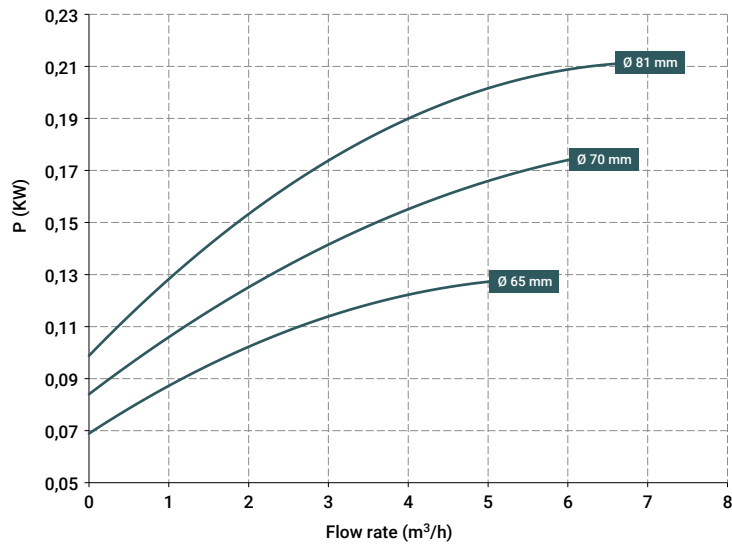
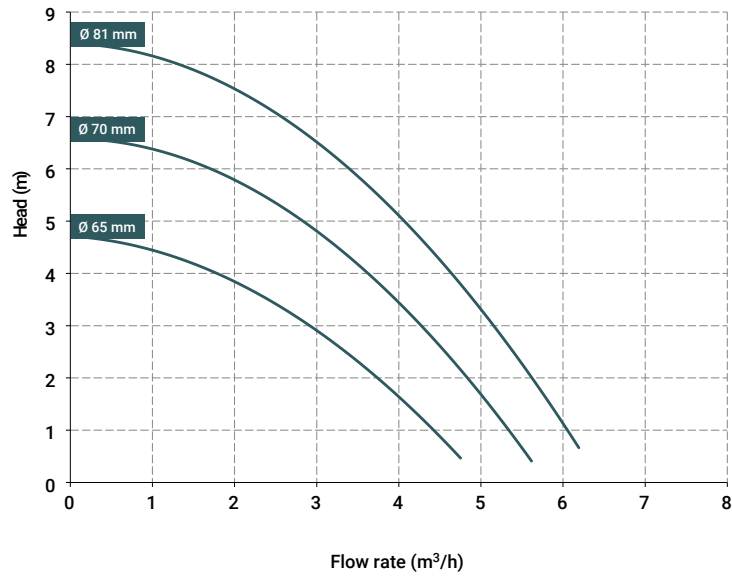
PP from +3°C to +65°C, 2 Kg

PVDF from +3°C to +95°C, 2.25 Kg

The weights refer to the pump without the motor

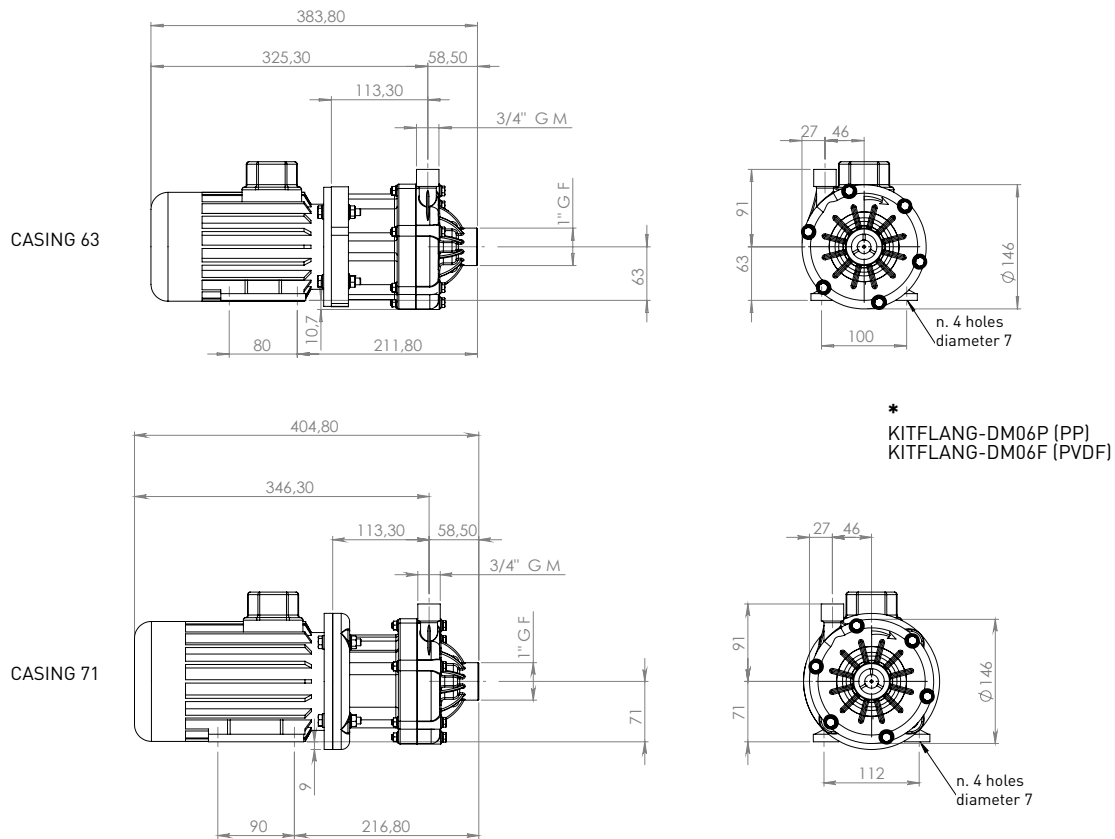
IMPELLER	Motor 0.25 Kw (0.35 HP) so PP*	Motor 0.37 Kw (0.5 HP)
Ø 81 mm (Standard)	up to 1.2 g/cm ³	up to 1.8 g/cm ³
Ø 70 mm	up to 1.5 g/cm ³	up to 2 g/cm ³
Ø 65 mm	up to 1.8 g/cm ³	up to 2 g/cm ³

Specifications and types



The curves and the performances refer to pumps with open delivery outlet, with water at 20°C, 50 Hz two-pole motor (2900 RPM).

Specifications and types



The total length of the pump can vary based on the type of motor requested

Seal o-ring materials:

- EPDM
- VITON®

Package:

- Pump with 0.25/0.37 Kw motor
- Wooden crate
cm 50 x 25 x 35 – weight 7 Kg
(The weight refers to the package only, without the pump)

*Kit flangia (Flange DIN - ANSI on request):

- KITFLANG-DM06P (PP)
- KITFLANG-DM06F (PVDF)



MAIN APPLICATION SECTORS



AUTOMOTIVE



CHEMICAL INDUSTRY



GALVANIC AND ELECTRONIC
INDUSTRY



WATER AND SLUDGE
TREATMENT

DM06 DM10 DM15 DM30