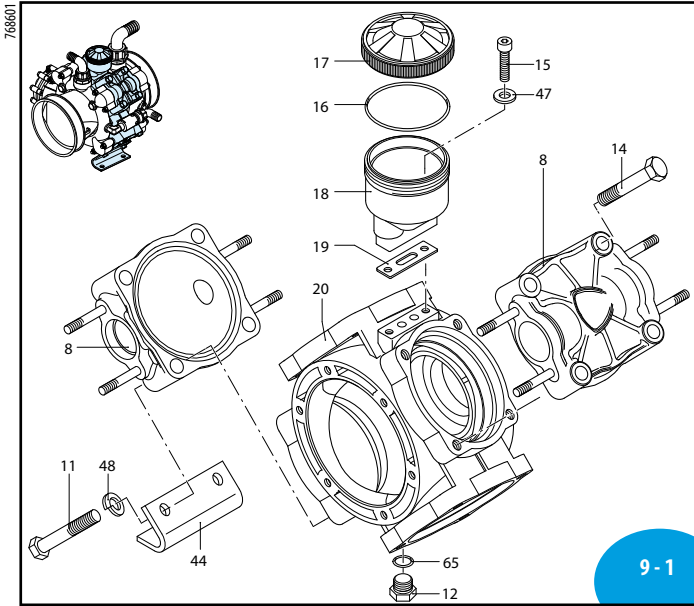
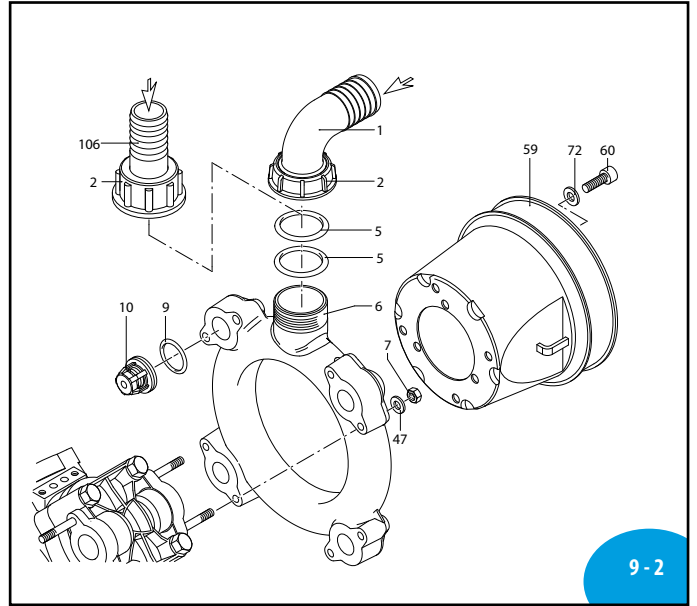


## AR 160 bp - AR 185 bp



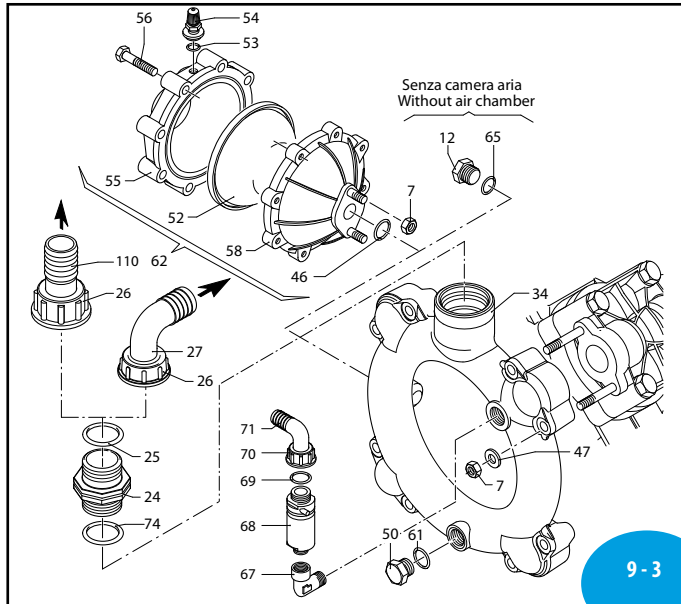
9-1

SL00020-AU



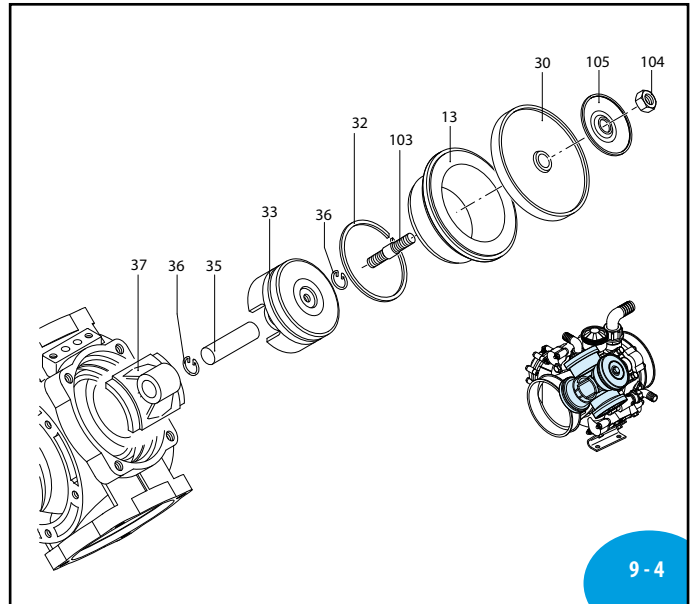
9-2

SL000155-DV



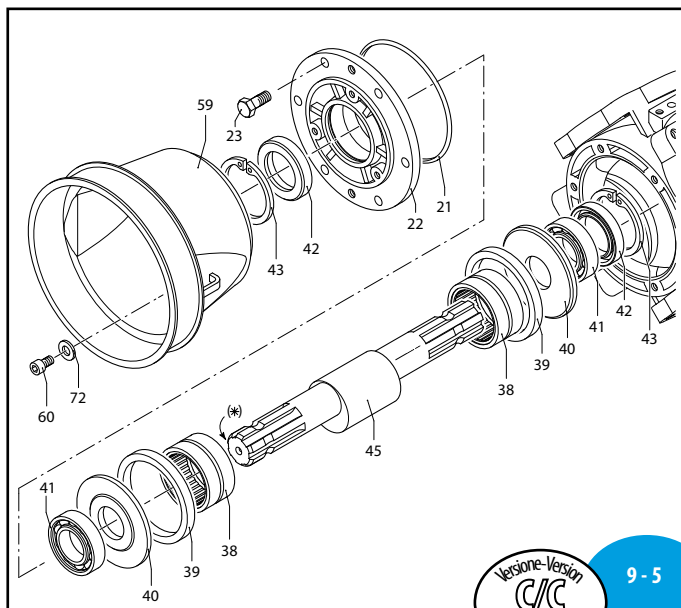
9-3

SL000156-DV



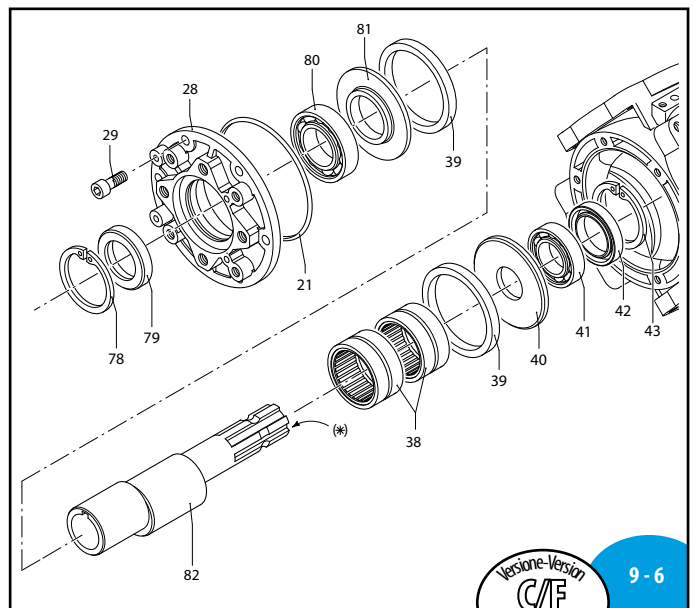
9-4

SL000208-AU



9-5

UN000714-IB



9-6

UN000715-IB

(Ø 25 / Ø 32)

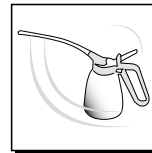
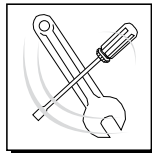
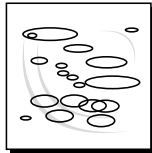
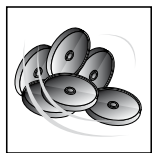
# AR 160 bp - AR 185 bp

Pos.	Cod.	Descrizione	Description	Q.ty	Note
1	3040430	Curva ø 40	Elbow	1	AR 160 bp
	3040440	Curva ø 50	Elbow	1	AR 185 bp
2	3040450	Girello 2" G	Ring nut	1	
5	3040470	OR ø 39,3x2,6	O-Ring	2	☒
6	760750	Condotto aspirazione	Suction manifold	1	
7	380242	Dado M 8	Nut	18	Geomet C <sub>20</sub>
	380244	Dado M 8	Nut	18	Inox C <sub>20</sub>
8	751350	Testa porta valvole	Head	4	
	751352	Testa porta valvole	Head	4	Inox
9	680070	OR ø 31,5x4,25	O-Ring	8	☒
10	759051	Valvola completa	Complete valve	8	
11	750071	Vite TE M 12x70	Bolt	4	Geomet C <sub>50</sub>
	750072	Vite TE M 12x70	Bolt	4	Inox C <sub>50</sub>
12	880530	Tappo 3/8" G	Plug	2	☉ C <sub>20</sub>
	2340350	Tappo 3/8" G	Plug	2	Inox ☉ C <sub>20</sub>
13	750110	Camicia	Sleeve	4	AR 160 bp
	750115	Camicia	Sleeve	4	AR 185 bp
14	750061	Vite TE M 12x65	Bolt	12	Geomet C <sub>50</sub>
	750062	Vite TE M 12x65	Bolt	12	Inox C <sub>50</sub>
15	680350	Vite TCEI M 8x35	Bolt	2	C <sub>10</sub>
16	1040060	OR ø 72,69x2,62	O-Ring	1	
17	750057	Tappo serbatoio nero	Black oil tank cap	1	AR 160 bp
	750052	Tappo serbatoio rosso	Red oil tank cap	1	AR 185 bp
18	750030	Serbatoio olio	Oil tank	1	
19	750040	Guarnizione serbatoio	Gasket	1	☒
20	760010	Corpo pompa	Pump body	1	
21	851360	OR ø 120,32x2,62	O-Ring	1	☒
22	680020	Supporto albero	Shaft support	1	☒
23	160672	Vite TE M 10x25	Bolt	6	Geomet C <sub>40</sub>
	160673	Vite TE M 10x25	Bolt	6	Inox C <sub>40</sub>
24	751130	Nipples 1"1/2 G (M-M)	Threaded adapter	1	
25	390290	OR ø 29x3	O-Ring	1	☒
26	750670	Girello 1"1/2 G	Ring nut	1	
27	760930	Curva ø 25	Elbow	1	AR 160 bp
	3040160	Curva ø 35	Elbow	1	AR 185 bp
28	2420181	Supporto albero	Shaft support	1	☒
29	650640	Vite TCEI M 10x25	Bolt	6	Geomet C <sub>40</sub>
30	550080	Membrana	Diaphragm	4	Gomma
	550084	Membrana	Diaphragm	4	Viton
	550085	Membrana	Diaphragm	4	Desmopan
	550086	Membrana	Diaphragm	4	H.P.D.S.
32	500260	Segmento	Piston ring	4	
33	750122	Pistone	Piston	4	
34	760760	Condotto mandata	Manifold	1	
35	160700	Spinotto	Pin	4	☒
36	160691	Anellino spinotto	Pin ring	8	
37	760140	Biella	Connecting rod	4	
38	750090	Cuscinetto a rullini	Roller bearing	2	
39	750130	Anello biella	Con rod ring	2	☒
40	540040	Piastra distanziale	Spacer washer	2	
41	230350	Cuscinetto	Bearing	2	↓
42	160740	Anello tenuta	Seal ring	2	☒
43	200390	Anello seeger	Circlip	2	

Pos.	Cod.	Descrizione	Description	Q.ty	Note
44	760201	Piede	Base	2	
45	750170	Albero eccentrico	Crankshaft	1	AR 160 bp (*AU)
	750174	Albero eccentrico	Crankshaft	1	AR 185 bp (*AV)
46	390290	OR ø 29x3	O-Ring	1	☒
47	380243	Rosetta øi 8,5	Washer	18	Geomet
	390315	Rosetta øi 8,5	Washer	18	Inox
48	250143	Rosetta øi 12,5	Washer	4	Geomet
	250144	Rosetta øi 12,5	Washer	4	Inox
50	330173	Tappo 1/2" G	Plug	1	Geomet ☉ C <sub>20</sub>
	330174	Tappo 1/2" G	Plug	1	Inox ☉ C <sub>20</sub>
51	550190	Semicamera aria	Semi air chamber	1	Gomma
	550191	Semicamera aria	Semi air chamber	1	Satturflon
	550192	Semicamera aria	Semi air chamber	1	Viton
	550193	Semicamera aria	Semi air chamber	1	H.P.D.S.
53	650542	Guarnizione	Gasket	1	
54	180020	Valvola di gonfiaggio	Air valve	1	C <sub>3</sub>
55	620232	Semisfera superiore	Upper air chamber	1	Nera / Black
	621781	Vite TE M 8x40	Bolt	8	Geomet C <sub>20</sub>
	621782	Vite TE M 8x40	Bolt	8	Inox C <sub>20</sub>
58	680180	Semisfera inferiore	Lower air chamber	1	
59	1500470	Protezione cardano	Cardan protection	2	
60	850251	Vite TCEI M 8x12	Bolt	6	Geomet C <sub>20</sub>
	850252	Vite TCEI M 8x12	Bolt	6	Inox C <sub>20</sub>
61	180101	OR ø 17,5x2	O-Ring	1	
62	1552	Camera aria completa	Complete air chamber	1	
65	740290	OR ø 14x1,78	O-Ring	2	
67	881560	Gomitolo 90° 1/2" G (M)-(F)	Elbow	1	☒
68	1609000	Valvola di sicurezza	Safety valve	1	■
69	880831	OR ø 15,54x2,62	O-Ring	1	Viton
70	550450	Girello 3/4" G	Ring nut	1	
71	550460	Curva ø 18	Elbow	1	
72	390314	Rondella øi 8,5	Washer	6	Geomet
	390315	Rondella øi 8,5	Washer	6	Inox
74	751140	OR ø 47,22x3,53	O-Ring	1	☒
78	620330	Anello seeger	Circlip	1	
79	1800090	Anello tenuta	Seal ring	1	☒
80	230310	Cuscinetto	Bearing	1	↓
81	760510	Piastra distanziale	Spacer washer	1	
	760450	Albero ecc. "C/F" (ø25)	"C/F" (ø25) shaft	1	AR 160 bp (*BX)
	760520	Albero ecc. "C/F" (ø32)	"C/F" (ø32) shaft	1	AR 160 bp (*BS)
	760460	Albero ecc. "C/F" (ø25)	"C/F" (ø25) shaft	1	AR 185 bp (*BT)
	760530	Albero ecc. "C/F" (ø32)	"C/F" (ø32) shaft	1	AR 185 bp (*BT)
103	2240100	Prigioniero	Stud	4	☉ C <sub>35</sub>
104	2240110	Dado	Nut	4	☒ C <sub>30</sub>
105	751250	Piattello	Plate	4	
106	760950	Portagomma ø 40	Hose tail	1	Optional AR 160 bp
	760570	Portagomma ø 50	Hose tail	1	Optional AR 185 bp
110	760920	Portagomma ø 25	Hose tail	1	Optional AR 160 bp
	760940	Portagomma ø 35	Hose tail	1	Optional AR 185 bp

Bassa Pressione  
Low Pressure

Nuove teste.



KIT 2371	
Membrane gomma Buna diaphragms	
KIT 2372	
Membrane HPDS HPDS diaphragms	
KIT 2373	
Membrane Desmopan Desmopan diaphragms	
Pos.	Q.ty
30	4

KIT 2374	
Valvole Valves	
Pos.	Q.ty
9	8
10	8

KIT 42510			
OR O-Rings			
Pos.	Q.ty	Pos.	Q.ty
5	2	69	1
9	8	74	1
16	1		
21	1		
25	1		
46	1		
53	1		
61	1		
65	2		

KIT 42511 - AR 160 bp					
KIT 42512 - AR 185 bp					
Pronto intervento Maintenance repair					
Pos.	Q.ty	Pos.	Q.ty	Pos.	Q.ty
1	1	21	1	61	1
2	1	24	1	65	2
5	2	25	1	69	1
9	8	26	1	74	1
10	8	27	1	103	4
16	1	30	4	104	4
17	1	42	2	105	4
18	1	46	1		
19	1	52	1		

Olio utilizzato	
Used oil	
Tipo - Type	Kg
Sae 30	1,4