



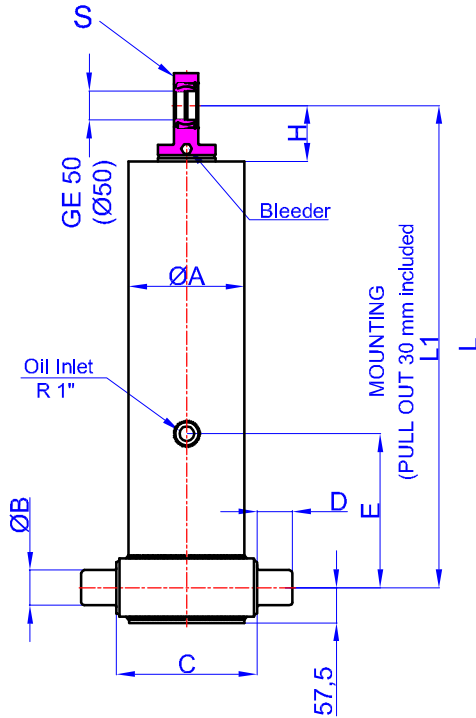
GALİPOĞLU
HIDROMAS

Phone : +90 332 239 08 52 (pbx)
 Fax : +90 332 239 08 51
 Mail : hidromas@hidromas.com
 Address : Büyükkayacık Mah. Konya O.S.B. 3 Nolu Sk No:1/A 42250
 SELÇUKLU / KONYA
 TÜRKİYE

GHS 155 x 5 x 5125 C

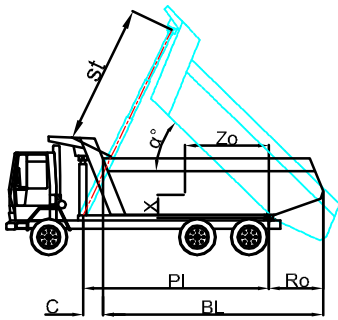
Stock Code : 43155551253

Reference No : 01-001



- A : 175 mm
- B : 60 mm
- C : 215 mm
- D : 60 mm
- E : 350 mm
- H : 95 mm
- L : 1310 mm
- *L1 : 1340 mm
- S : 42 mm

* Inc 30 mm pull out :
 tolerance +20 -0
 Hard Chromed all stages
 Working Pressure : 170 Bar
 Max. Working Pressure : 190 Bar
 All Cylinder Materials are St
 52 Cold Drawn Tubes



| STAGE | 1 | 2 | 3 | 4 | 5 | 6 | 7 | 8 | TOTAL |
|--------------------------|------|------|------|------|------|---|---|---|-------|
| EFFECTIVE DIAMETER (mm) | Ø155 | Ø135 | Ø116 | Ø98 | Ø80 | | | | |
| STROKE | 1025 | 1025 | 1025 | 1025 | 1025 | | | | 5125 |
| OIL DISPLACEMENT (L) | 20,5 | 15,5 | 11,5 | 8,5 | 6 | | | | 67,4 |
| THRUST AT 170 BAR (TONS) | 31 | 24 | 18 | 12 | 8 | | | | |

| BL (body length) | 6600 | | | 6400 | | | 6200 | | |
|-------------------------------------|------|------|------|------|------|------|------|------|------|
| Ro (rear overhang) | 200 | 500 | 800 | 200 | 500 | 800 | 200 | 500 | 800 |
| α° | 45 | 47 | 49 | 46 | 49 | 51 | 48 | 50 | 53 |
| Ycog (vert. pos. centre of gravity) | 600 | | | | | | | | |
| PI (Pivot length) | 21 | 24 | 27 | 22 | 25 | 28 | 23 | 26 | 30 |
| α° = st x 60 / PI | 24 | 27 | 31 | 24 | 28 | 33 | 25 | 29 | 36 |
| | 26 | 30 | 37 | 27 | 32 | 40 | 28 | 35 | 45 |
| st | 4950 | 4935 | 4900 | 4906 | 4981 | 4930 | 4960 | 4916 | 4946 |

Weight : --- Kg

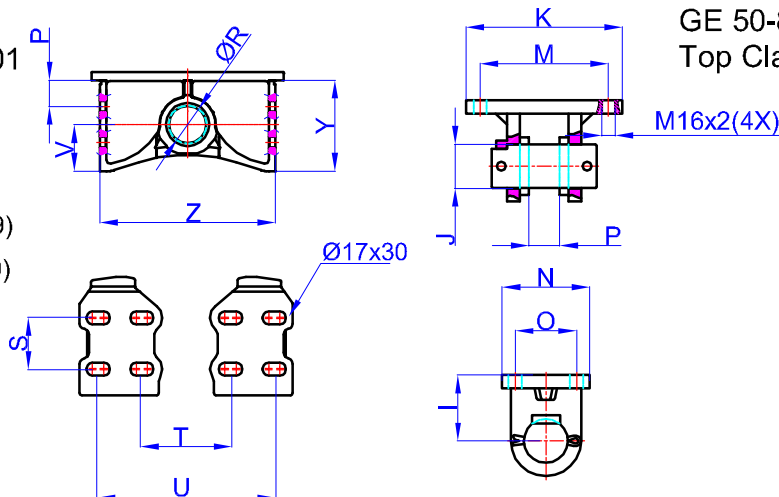
Drawing No : 43155551253-02-001

60-368 HM11 GHCB
 Bracket : 47000024-0001

- P: 42,5 mm
- R: 60,8 mm
- S: 70 mm
- T: 193 mm (178 - 209)
- U: 313 mm (298 - 329)
- V: 76 mm
- Y: 152 mm
- Z: 368 mm

* Bracket are optional

Weight : 16,5 Kg



GE 50-85 (M16-2) GHTC
 Top Clavis : 47000026-02-002

- I: 85 mm
- J: 50 mm
- K: 216 mm
- M: 184 mm
- N: 125 mm
- O: 95 mm
- P: 39 mm

* Bracket are optional
 Weight : 9 Kg