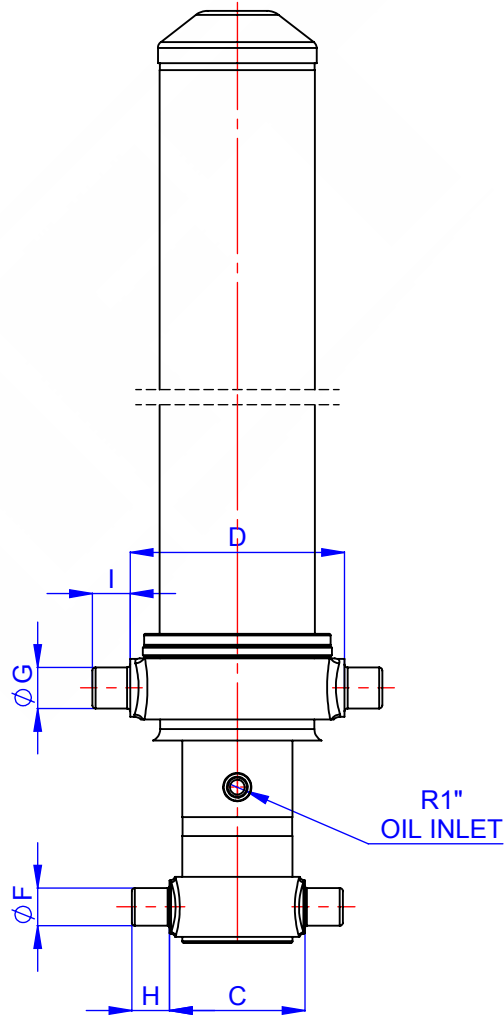
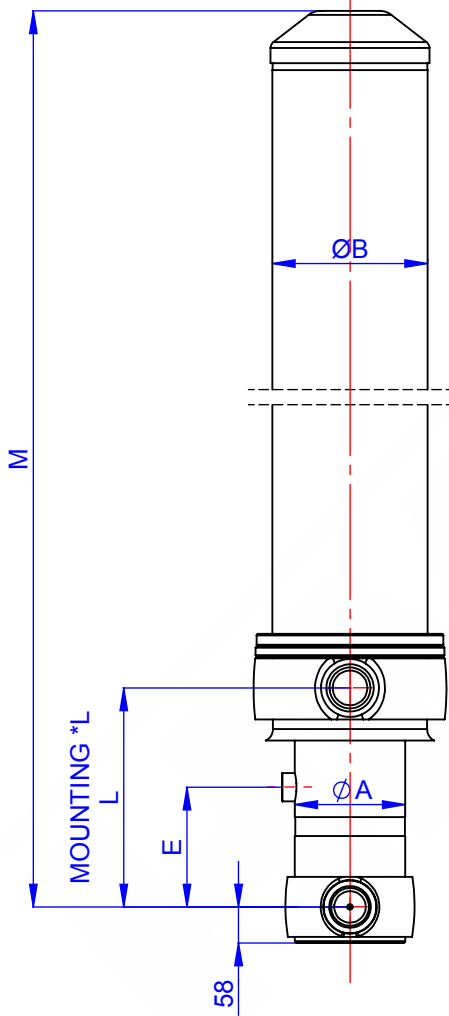


HMLD 155-4-5140 H TEL.SİL.

Product Code : 75155451406

Reference No : 96-001



A :	175
B :	245
C :	215
D :	340
E :	190
F :	60
G :	65
H :	60
I :	60
J :	
K :	
L :	347
*L :	377
M :	1640
N :	
O :	
P :	
R :	
S :	
S1 :	
T :	
U :	
V :	
W :	
Y :	
Z :	

EFFECTIVE DIAMETER (mm)					154,5	135	116	98			
STROKE (mm)					1285	1285	1285	1285			
THRUST AT 210 BAR (TONS)					39.2	29.7	22	15.7			

All sizes were given as mm

SPECIFICATIONS

- Stroke : 5140
- *Inc 30 mm pull out : Tolerance +20 ; 0
- Working pressure : 210 Bar
- Max. working pressure : 250 Bar
- Working Temperature : -23 °C / +80 °C
- Total Volume : 72.3 L
- Weight Cylinder : 292.61 kg
- Hard cromed all stages
- All cylinder materials are st 52 cold down tubes
- Standard cylinder is painted with RAL 6036

FORMULATION

- St : (Stroke)
- BL : (Body Length)
- Ro : (Rear Overhang)
- PI : (Pivot Length)
- C : (Bracket Length)

$$\alpha^\circ = \frac{St \times 60}{PI}$$

