



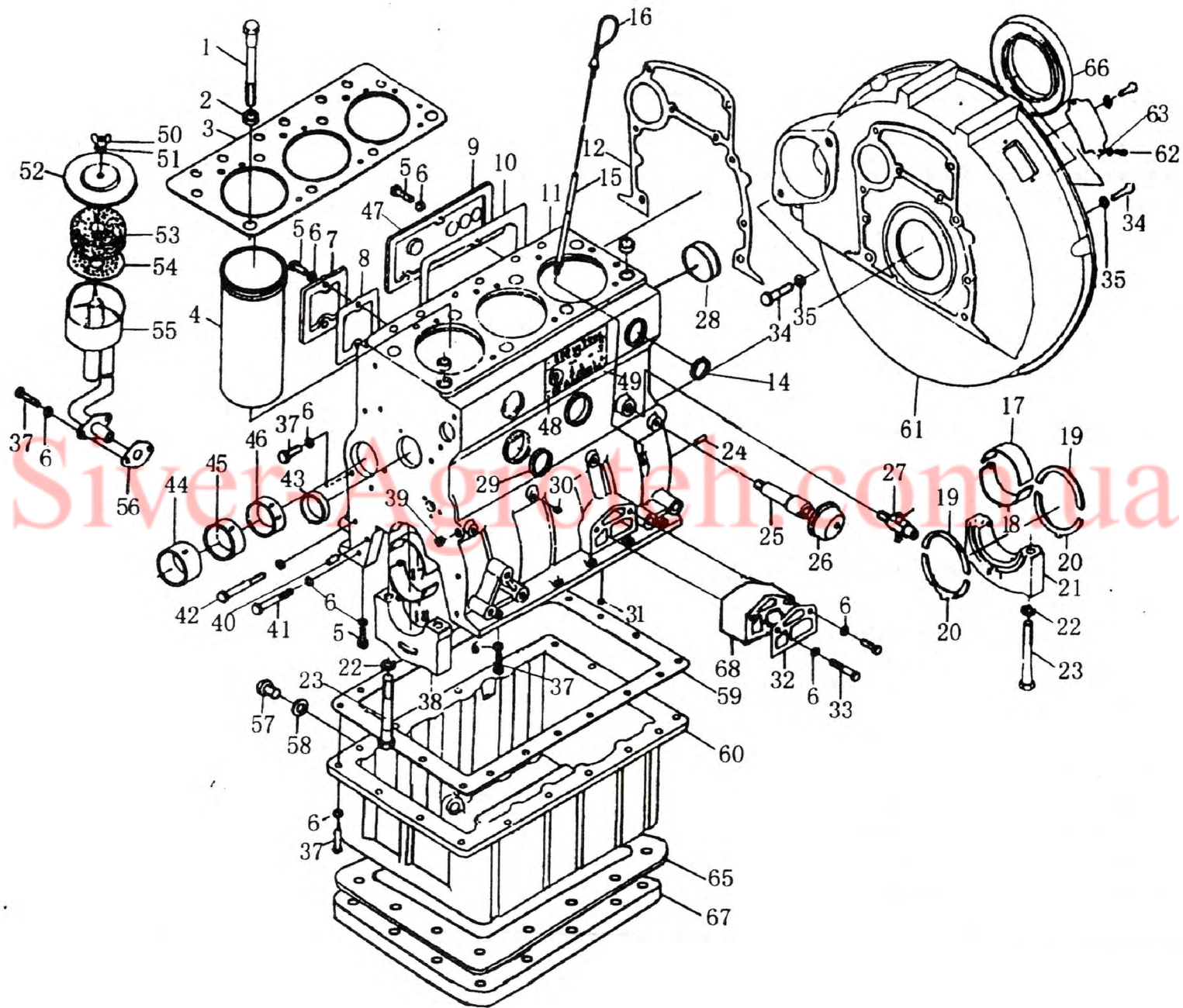
KM385BT/LL380BT

DIESEL ENGINE PARTS CATALOGUE

Siver-Agroteh.com.ua

SHANDONG HUAYUAN LAIDONG CO.,LTD.

Cylinder Block Assy



Cylinder Block Assy

No	Parts No		Name of Parts	Qty
	KM385BT	LL380BT		
1	KM485QB-01005	L375-01004	Cylinder head stud	8
2	L375-01103	L375-01103	Locating sleeve	2
3	KM385QB-01002	LL380-01002	Cylinder head gasket	1
4	KM485QB-01003	LL480-01003	Cylinder liner	3
5	GB5783-86	GB5783-86	BoltM8 × 20	1
6	GB848-85	GB848-85	Washer 8	7
7	LL380-01012	LL380-01012	Side cover (I)	1
8	LL380-01015	LL380-01015	Side cover (I) gasket	1
9	KM485QB-01013	KM485QB-01013	Side cover (II)	1
10	LL480-01014	LL480-01014	Side cover (II) gasket	1
11	KM385QB-01111	LL380-01111	Cylinder block	1
12	KM385T-01018	KM385T-01018	Gasket of flying wheel cover	1
14	D495QB-01024	D495QB-01024	Bowl shape plug φ 32	4
15	L375-01320-1	L375-01320-1	Dipstick sleeve weldment	1
16	KM385T-01300	KM385T-01300	Oil level dipstick	1
17	KM485QB-01015	L375-01022	Upper main bearing	4
18	KM485QB-01016	L375-01023	Lower main bearing	4
19	KM485QB-01007	L375-01020	Upper thrust piece of crankshaft	2
20	KM85QB-01008	L375-01021	Lower thrust piece of crankshaft	2
21	KM485QB-01112	L375-01109	Rear main bearing cap	1
22	L375-01110	L375-01110	Main bearing bolt washer	8
23	L375-01111	L375-01111	Main bearing bolt	8
24	GB119-86	GB119-86	Pin B8 × 18	1

No	Parts No		Name of Parts	Qty
	KM385BT	LL380BT		
25	KM385T-01035	KM385T-01035	Connecting joint for oil pressure sensor	1
26	L375-12500	L375-12500	Oil pressure sensor	1
27			Water drain cock	1
28	D495QB-01021	D495QB-01021	Bowl shape plug ϕ 28	1
29	D495QB-01014	L375-01102	Bowl shape plug ϕ 51	2
30	L375-01103	L375-01103	Oil route plug	2
31	L375-01115	L375-01115	Bowl shape plug ϕ 10	1
32	L375-01027	L375-01027	Oil filter gasket	2
33	GB5783-86	GB5783-86	BoltM8 \times 60	2
34	GB5783-86	GB5783-86	BoltM10 \times 30	2
35	GB848-85	GB848-85	Washer 10-100HV	2
37	GB5783-86	GB5783-86	Bolt M8 \times 18	24
38	KM485QB-01112	L375-01108	Main bearing cap	3
39	L375-01104	L375-01104	Plug	2
40	GB91-86	GB91-86	Pin2 \times 12	1
41	GB5783-86	GB5783-86	BoltM8 \times 55	4
42	GB5783-86	GB5783-86	BoltM8 \times 45	4
43	D495QB-03105	D495QB-01014	Bowl shape plug ϕ 42	2
44	L375-01112	L375-01112	Front bush of camshaft	1
45	L375-01113	L375-01113	Middle bush of camshaft	1
46	KM485QB-01114	L375-01114	Rear bush of camshaft	1

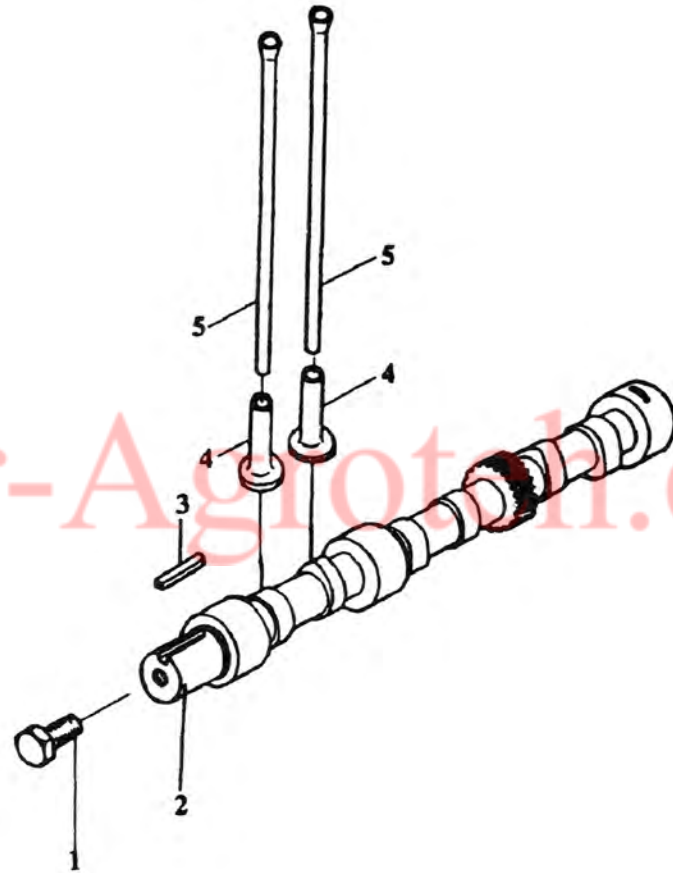
No	Parts No		Name of Parts	Qty
	KM385BT	LL380BT		
47	KM485QB-01101	D495QB-03019	Bowl shape plug ϕ 20	3
48	GB873-86	GB873-86	Rivet 2 x 5	4
49	L375-03302-3	L375-03302-3	Brand mark	1
50	GB62-88	GB62-88	Butterfly nutM6	1
51	GB848-85	GB848-85	Washer6 -100HV	1
52	D495QB-012104	D495QB-012104	Respirator cover	1
53	LL380-01203	LL380-01203	Net	1
54	KM485QB-01211	KM485QB-01211	Air tube	1
55	D495QB-01212	D495QB-01212	Respirator	1
56	KM485QB-01011	KM485QB-01011	gasket	1
57	LL380-01501	LL380-01501	Oil drain bolt	1
58	LL380-01503	LL380-01503	A type washer ϕ 14	1
59	KM385T-01019	KM385T-01019	Oil pan gasket	1
60	KM385T-015101	KM385T-015101	Oil pan	1
61	KM385T-01010	KM385T-01010	Flywheel housing	1
62	GB67-85	GB67-85	Bolt M6 x 12	2
63	GB97.1-85	GB97.1-85	Washer 6	2
64	LL480-01025	LL480-01025	Cover plate	1
65	KM385T-015111	KM385T-015111	Oil pan cover gasket	1
66	JB2600-80	JB2600-80	Cased rubber oil seal	1
67	KM385T-015104	KM385T-015104	Oil pan cover	1
68	KM385T-01027	KM385T-01027	Oil filter padding block	1

Timing Gear Case Assy

No	Parts No		Name of Parts	Qty
	KM385BT	LL380BT		
1	GB5783-86	GB5783-86	Bolt M8 × 30	1
2	GB97.1-85	GB97.1-85	Washer 8-100HV	2
3	GB93-87	GB93-87	Washer 8	1
4	KM385T-01708	KM385T-01708	Hydraulic pump transition connecting plate	1
5	KM385T-01703	KM385T-01703	Hydraulic pump	1
6	GB276-94	GB276-94	Bearing	1
7	KM385T-01705	KM385T-01705	Bearing holddown circlip	1
8	KM385T-01704	KM385T-01704	Hydraulic pump transition gear	1
9	GB1096-79	GB1096-79	Key C10 × 22	1
10	KM385T-01702	KM385T-01702	Hydraulic pump transition axle	1
11	GB292-94	GB292-94	Bearing 7008C	1
12	KM385T-01708	KM385T-01708	Hydraulic pump transition connecting plat	1
13	KM385T-01701	KM385T-01701	Hydraulic pump transition connecting plate	1
14	4L22BT-01710	4L22BT-01710	Hydraulic pump port plug	1
15	GB5783-86	GB5783-86	Bolt M12 × 35	1
16	GB97.1-85	GB97.1-85	Washer 12-100HV	1
17	L375-02012	L375-02012	Camshaft timing gear holddown	1
18	KM385T-02003	KM385T-02003	Camshaft timing gear	1
19	KM385T-02013	KM385T-02013	Camshaft timing gear block ring	1
20	KM385T-01012	KM385T-01012	Timing gear case cover	1
21	KM385T-01026	KM385T-01026	Sensor gasket	1
22	KM385T-01034	KM385T-01034	Upper death point showing needle	1
23	L375-01014	L375-01014	Idle gear holddown	1
24	KM385T-01402	KM385T-01402	Idle gear	1

No	Parts No		Name of Parts	Qty
	KM385BT	LL380BT		
25	KM385T-01401	KM385T-01401	Idle gear bushing	1
26	KM385T-01038	KM385T-01038	Idle gear axle	1
27	KM385T-01007	KM385T-01007-1	Timing gear case	1
28	GB119-86	GB119-86	Pin8	1
29	GB5782-86	GB5782-86	Bolt M8 × 55	1
30	JB2600-80	JB2600-80	Cased rubber oil seal	1
31	L375-01025-1	L375-01025-1	Gear case front cover	1
32	L375-01030	L375-01030	Gear case front cover gasket	1
33	KM385T-01015	KM385T-01015	Timing gear case cover	1
34	KM385T-01009	KM385T-01009	Gasket of gear case cover gasket	1
35	LL480B-10900	LL480B-10900	Oil injection advacer assy	1
36	L375-01010	L375-01010	Fuel pump fasten gasket	1
37	GB93-87	GB93-87	Washer 8	1
38	GB898-88	GB898-88	Stud M8 × 20	1
39	GB6170-86	GB6170-86	Nut M8	1
40	L375-01007	L375-01007	Gear case gasket	1

Camshaft Assy



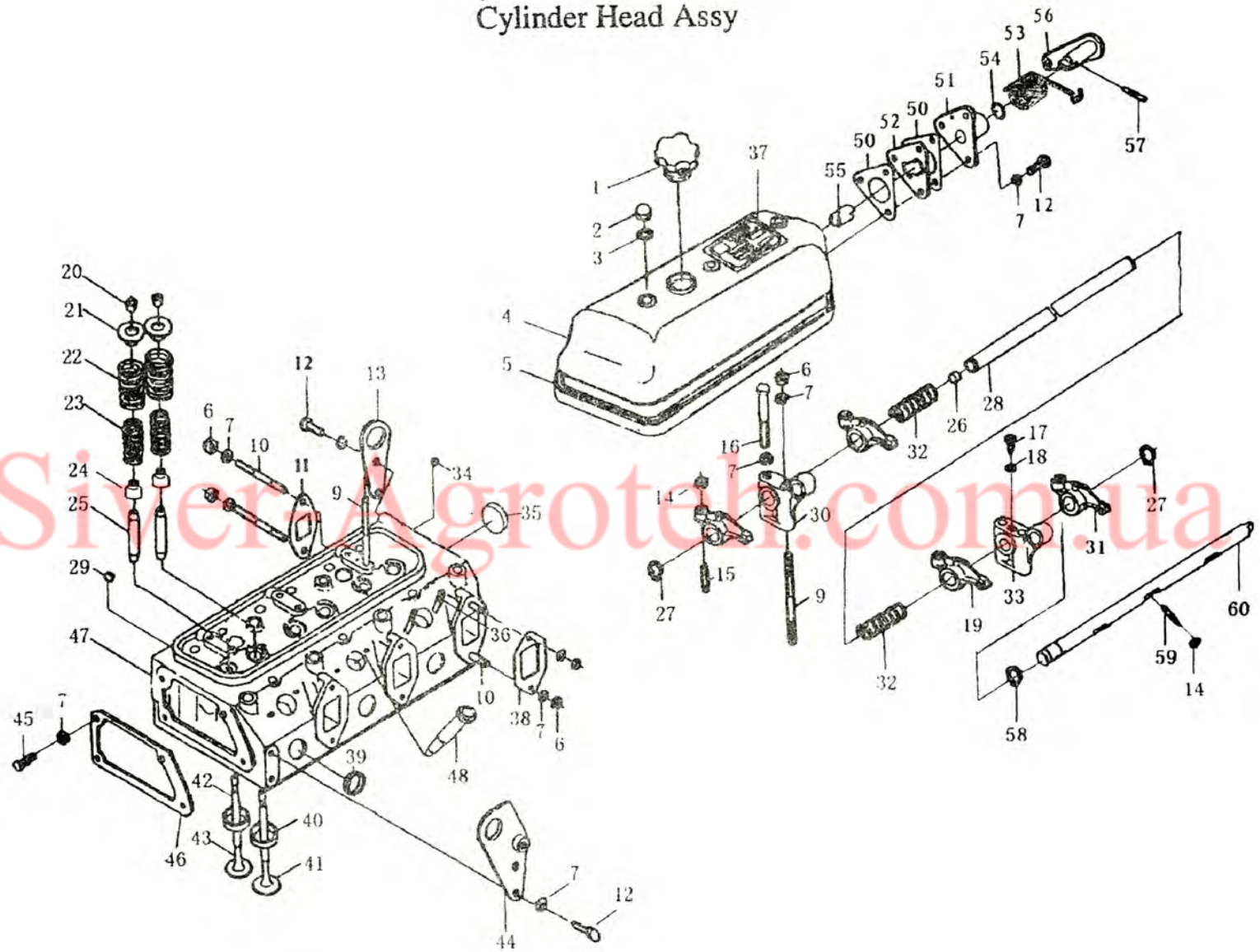
Siver-Agiotech.com.ua

Camshaft Assy

No	Parts No		Name of Parts	Qty
	KM385BT	LL380BT		
1	GB5783-86	GB5783-86	Bolt M12 × 35	1
2	L375-02001	L375-02001	Camshaft	1
3	GB1096-79	GB1096-79	Key C8 × 18	1
4	LL480-02003	LL480-02003	Valve push rod	6
5	L375-02005	L375-02005	Valve tappet	6
				1

Siver-Agroteh.com.ua

Cylinder Head Assy



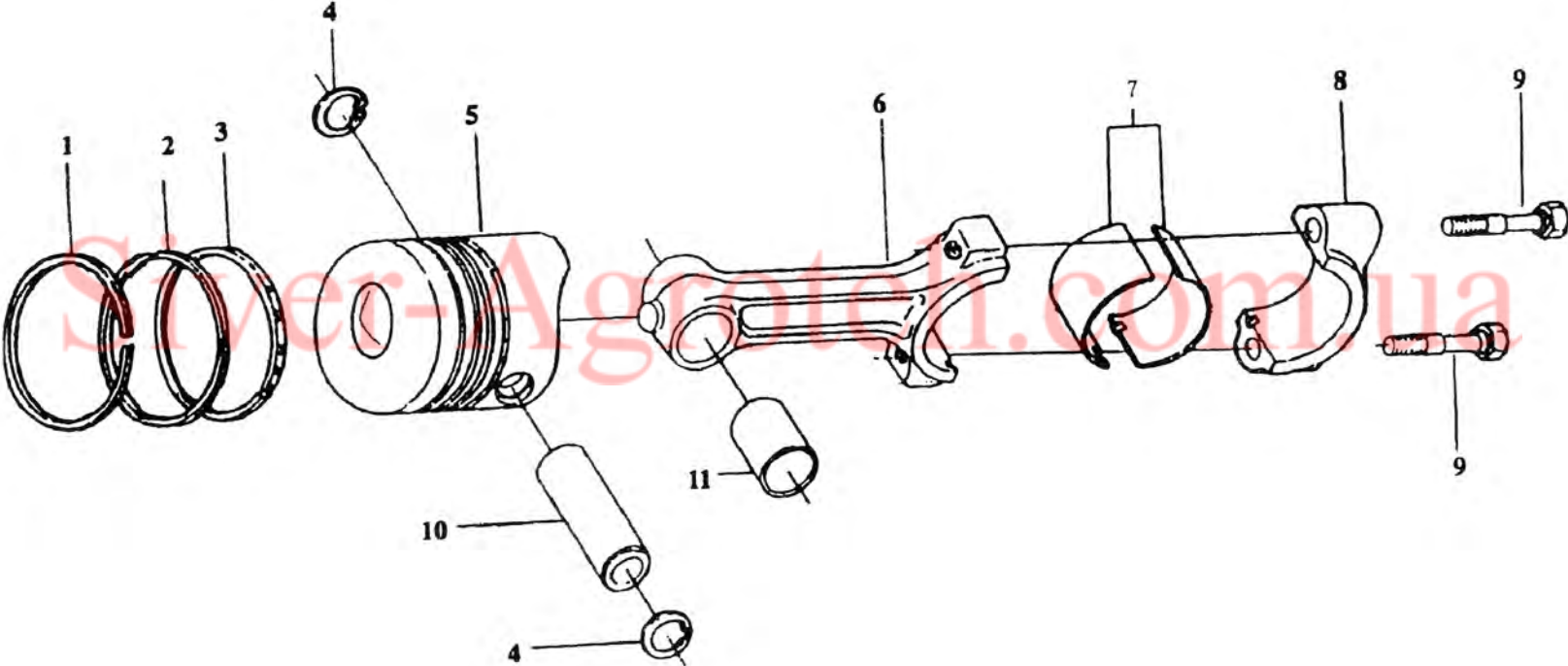
Cylinder Head Assy

No	Parts No		Name of Parts	Qty
	KM385BT	LL380BT		
1	L375-03005	L375-03005	Oil filler cap	1
2	GB923-88	GB923-88	Cap nut	3
3	L375-03017	L375-03017	Washer Φ 8	3
4	KM385BT-03301	KM385BT-03301	Cylinder head cap	1
5	LL380B-03002	LL380B-03002	Cylinder head cap gasket	1
6	GB6170-86	GB6170-86	Nut M 8	21
7	GB97.1-86	GB93-87	Washer 8 -100HV	32
8	GB93-87	GB97.1-86	Washer 8	6
9	KM385BT-03001	KM385BT-03001	Rockshaft seat fasten bolt	1
9	KM385BT-03001-1	KM385BT-03001-1	Rockshaft seat fasten bolt	2
10	GB898-88	GB898-88	Bolt M8 \times 25	12
11	KM485QB-03006	KM485QB-03006	Exhaust pipe gasket	3
12	GB5783-86	GB5783-86	Bolt M8 \times 25	4
13	L375-03012	L375-03012	Rear hoisting ring	1
14	GB6171-86	GB6171-86	Nut M 8	6
15	LL480B-03201	LL480B-03201	Valve clearance adjusting screw	6
16	GB5781-86	GB5781-86	Bolt M8 \times 60	3
17	L375-03206	L375-03206	Rockshaft locating screw	1
18	GB848-85	GB848-85	Washer 6	1
19	LL480B-03210	LL480B-03210	Rocker	3
20	LL480B-03008	LL480B-03008	Valve collet	12
21	LL480B-03009	LL480B-03009	Valve spring upper seat	6
22	L375-03015	L375-03015	Valve outer spring	6
23	L375-03007	L375-03007	Valve inner spring	6
24	LL480B-03019	LL480B-03019	Valve seal	6

No	Parts No		Name of Parts	Qty
	KM385BT	LL380BT		
25	KM485QB-03012	KM485QB-03012	Valve stem guide	6
26	L375-01115	L375-01115	Bowl shape plug ϕ 10	2
27	GB894.1-86	GB894.1-86	Ring 16	2
28	L375-03205	L375-03205	Rockershaft	1
29	L375-03107	L375-03107	Bowl shape plug ϕ 8.3	3
30	KM385BT-03202	KM385BT-03202	Rockershaft rear seat	2
31	KM385BT-03220	KM385BT-03220	Intake valve R ocker	3
32	L375-03204	L375-03204	Rockershaft spring	2
33	KM385BT-03207	KM385T-03207	Rockershaft rear seat	1
34	D495QB-03110	D495QB-03110	Oil route plug ϕ 6	1
35	D495QB-01024	D495QB-01024	Bowl shape plug	1
36	GB898-88	GB898-88	StudM8 \times 60	6
37	L375-03302-3	L375-03302-3	Brand mark	1
38	LL480B-03013	LL480B-03013	Intake manifold gasket	3
39	L375-03106	L375-03106	Bowl shape plug	5
40	LL480B-03103	LL480B-03103	Intake valve seat	3
41	LL480B-03005	LL480B-03005	Intake valve	3
42	LL480B-03104	LL480B-03104	Exhaust valve seat	3
43	LL480B-03004	LL480B-03004	Exhaust valve	3
44	L375-03011-1	L375-03011-1	Hoisting ring	1
45	GB5783-86	GB5783-86	Bolt M8 \times 25	4
46	L375-03010	L375-03010	Thermstat housing gasket	2
47	KM385QB-03101	LL380B-03101	Cylinder head	1
48	LL480B-03111	LL480B-03111	Nozzle bushing	3

No	Parts No		Name of Parts	Qty
	KM385BT	LL380BT		
50	KM385BT-03401	M385BT-03401	Gasket	2
51	KM385BT-03402	KM385BT-03402	Pressure reduction handle shaft bush	1
52	KM385BT-03407	KM385BT-03407	Locating board	1
53	KM385BT-03403	KM385BT-03403	Pressure reduction spring	1
54	GB3452.1-1992	GB3452.1-1992	O- ring 13.2 × 2.6	1
55	KM385BT-03406	KM385BT-03406	Cross connection shaft	1
56	KM385BT-03410	KM385BT-03410	Pressure reduction handle weldment	1
57	GB119-86	GB119-86	PinB3 × 26	1
58	GB894.1-86	GB894.1-86	Circlip 15	2
59	KM385BT-03404	KM385BT-03404	Adjust bolt for pressure reduction	1
60	KM385BT-03405	KM385BT-03405	Pressure reduction shaft	1

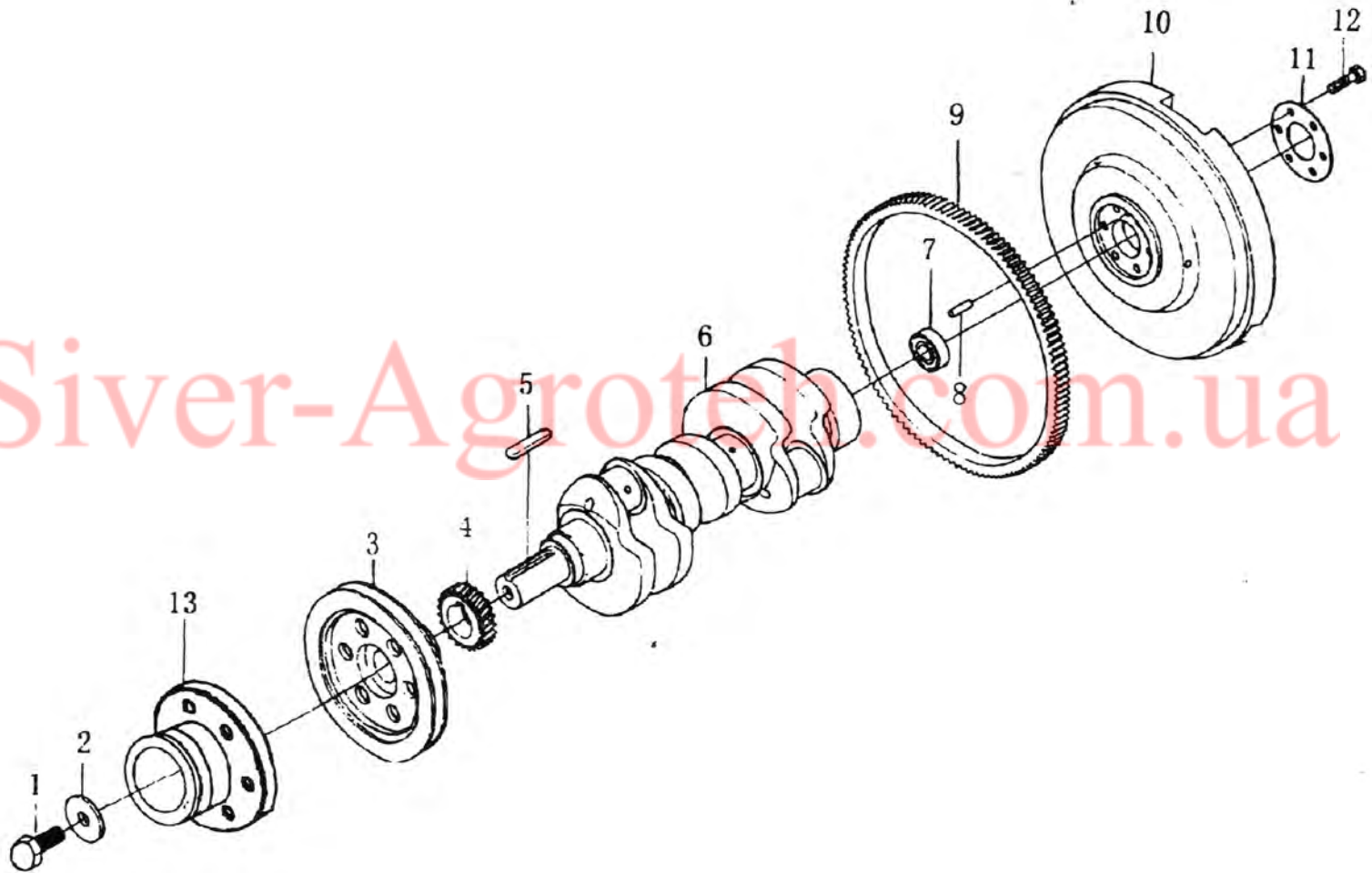
Piston-connecting Rod Assy



Piston-connecting Rod Assy

No	Parts No		Name of Parts	Qty
	KM385BT	LL380BT		
1	KM485QB-04001	LL480-04001	1st compression ring	1
2	KM485QB-04002	LL480-04002	2nd compression ring	1
3	KM485QB-04100	LL480-04100	Oil scraper ring	1
4	GB893.1-86 ϕ 28	GB893.1-86 ϕ 26	Circlip	2
5	KM485QB-04005	LL480B-04005	Piston	1
6	KM485QB-04202	LL480-04202	Connecting rod	1
7	LL480-04003	LL480-04003	Connecting rod bearing	2
8	KM485QB-04203	LL480-04203	Connecting rod cover	1
9	LL480-04204	LL480-04204	Connecting rod bolt	2
10	KM485QB-04004	LL480-04004	Piston pin	1
11	KM485QB-04201	LL480-04201	Connecting rod bushing	1

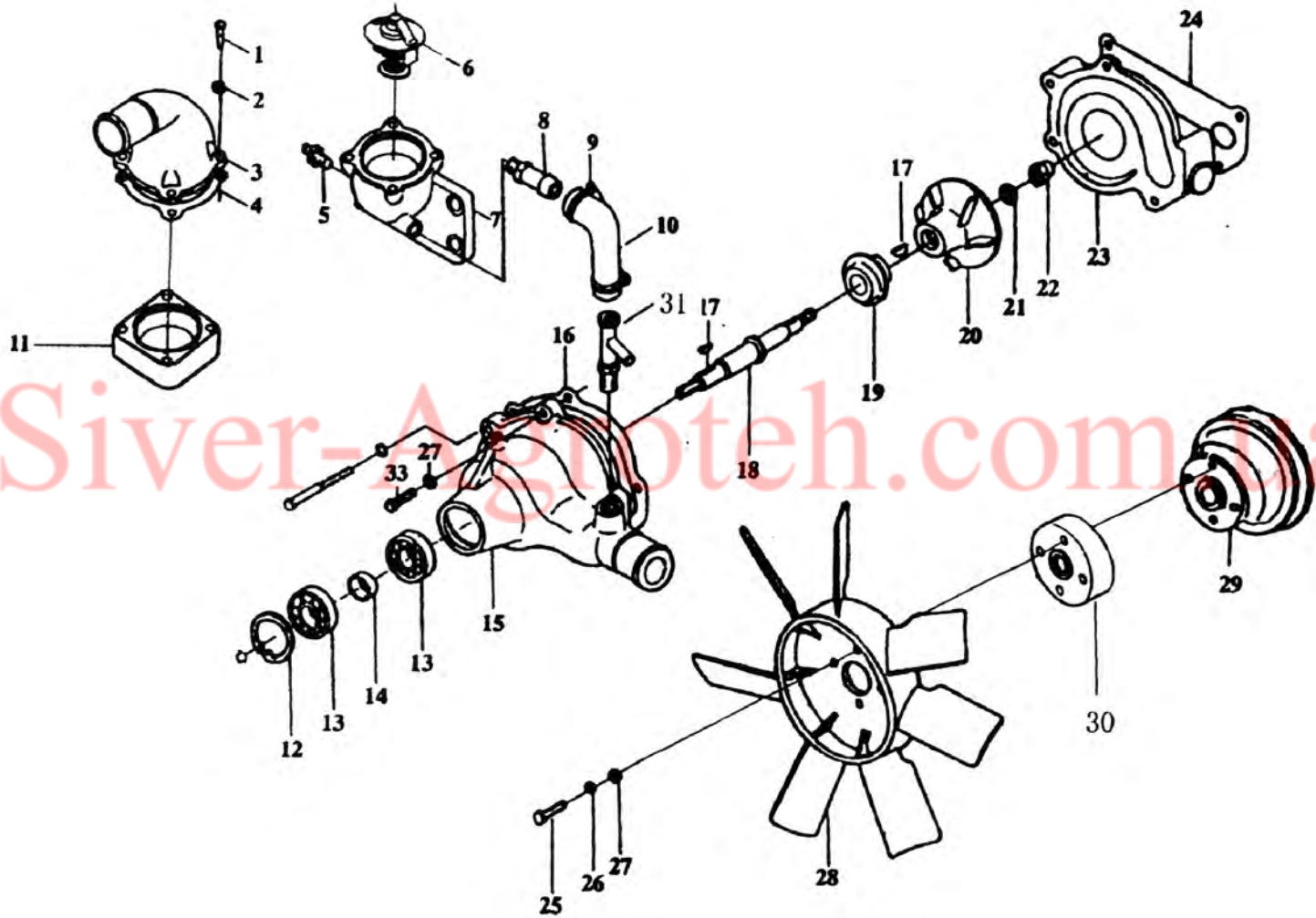
Crankshaft-fly wheel Assy



Crankshaft-fly wheel Assy

No	Parts No		Name of Parts	Qty
	KM385BT	LL380BT		
1	KM385T-05006	KM385T-05006	Starting claw	1
2	L375-05005	L375-05005	Starting claw washer	1
3	KM385T-05005	KM385T-05005	Crankshaft belt pulley	1
4	KM385T-05007	KM385T-05007	Crankshaft timing gear	1
5	GB1096-79	GB1096-79	Key C10 × 63	1
6	KM385QB-05003	LL380-05003	Crankshaft	1
7	GB278-89	GB278-89	Bearing B60203	1
8	GB119-86	GB119-86	Pin B8 × 20	1
9	LL480-05102	LL480-05102	Gear ring for fly wheel	1
10	KM385T-05101	KM385T-05101	Fly wheel	1
11	L375-05002	L375-05002	Fly wheel bolt backing plate	1
12	KM385T-05001	KM385T-05001	Fly wheel	6
13	KM385T-05008	KM385T-05008	Air pump belt pulley	1

COOLING SYSTEM ASSY



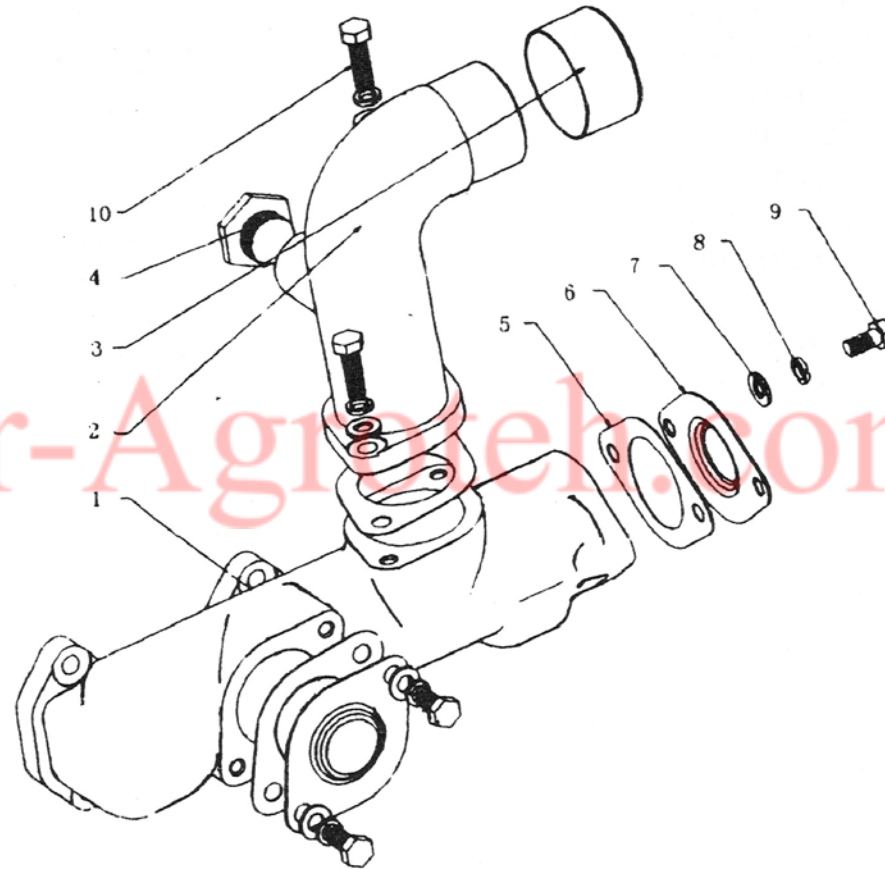
Cooling System Assy

No	Parts No		Name of Parts	Qty
	KM385BT	LL380BT		
1	GB5783-86	GB5783-86	Bolt M6 × 60	4
2	GB848-85	GB848-85	Washer 6 100HV	4
3	LL380-06201-1	LL380-06201-1	Thermostat cover	1
4	L375-06202	L375-06202	Thermostat cover gasket	1
5	L375-06206	L375-06206	Water temprature sensor	1
6	L375-06203	L375-06203	Thermostat	1
7	L375-06204	L375-06204	Thermostat housing	1
8	LL480-06303	LL480-06303	Small circulating water pipe	2
9	ZBT32005.1-88	ZBT32005.1-88	Clamp φ 26	2
10	LL380-06001	LL380-06001	Hose pipe	1
11	KM385T-06208	KM385T-06208	Thermstat cover padding block	1
12	GB893.2-86	GB893.2-86	Washer	1
13	GB278-89	GB278-89	Ball bearing E60203	2
14	L375-06104	L375-06104	Bearing spacer	1
15	LL480-06103-1	LL480-06103-1	Water pump housing	1
16	L375-06107	L375-06107	Water pump gasket	1
17	GB1099-79L375-06107	GB1099-79L375-06107	Wood ruff key 4 × 6.5 × 16	1
18	LL480-06106	LL480-06106	Water pump shaft	1
19	C-15	C-15	Ceramic graphilte seal type C-15	1
20	LL480-06105	LL480-06105	Water pump impeller	1
21	GB93-87	GB93-87	Washer8	1
22	L375Y3--14-06110	L375Y3--14-06110	Stopper	1
23	L375-06108	L375-06108	Water pump rear cover	1
24	L375-01006	L375-01006	Water pump rear cover gasket	1

No	Parts No		Name of Parts	Qty
	KM385BT	LL380BT		
25	GB5782-86	GB5782-86	Bolt M8 × 4.5-8.8	4
26	GB848-85	GB848-85	Washer 8-100HV	4
27	GB93-87	GB93-87	Washer 8	4
28	LL380-06300	LL380-06300	Fan	1
29	LL480-06102	LL480-06102	Water pump belt pulley	1
30	4L22-06113	4L22-06113	Fan padding block	1
31	L375Y3-14-06100	L375Y3-14-06100	Triply joint	1

Siver-Agroteh.com.ua

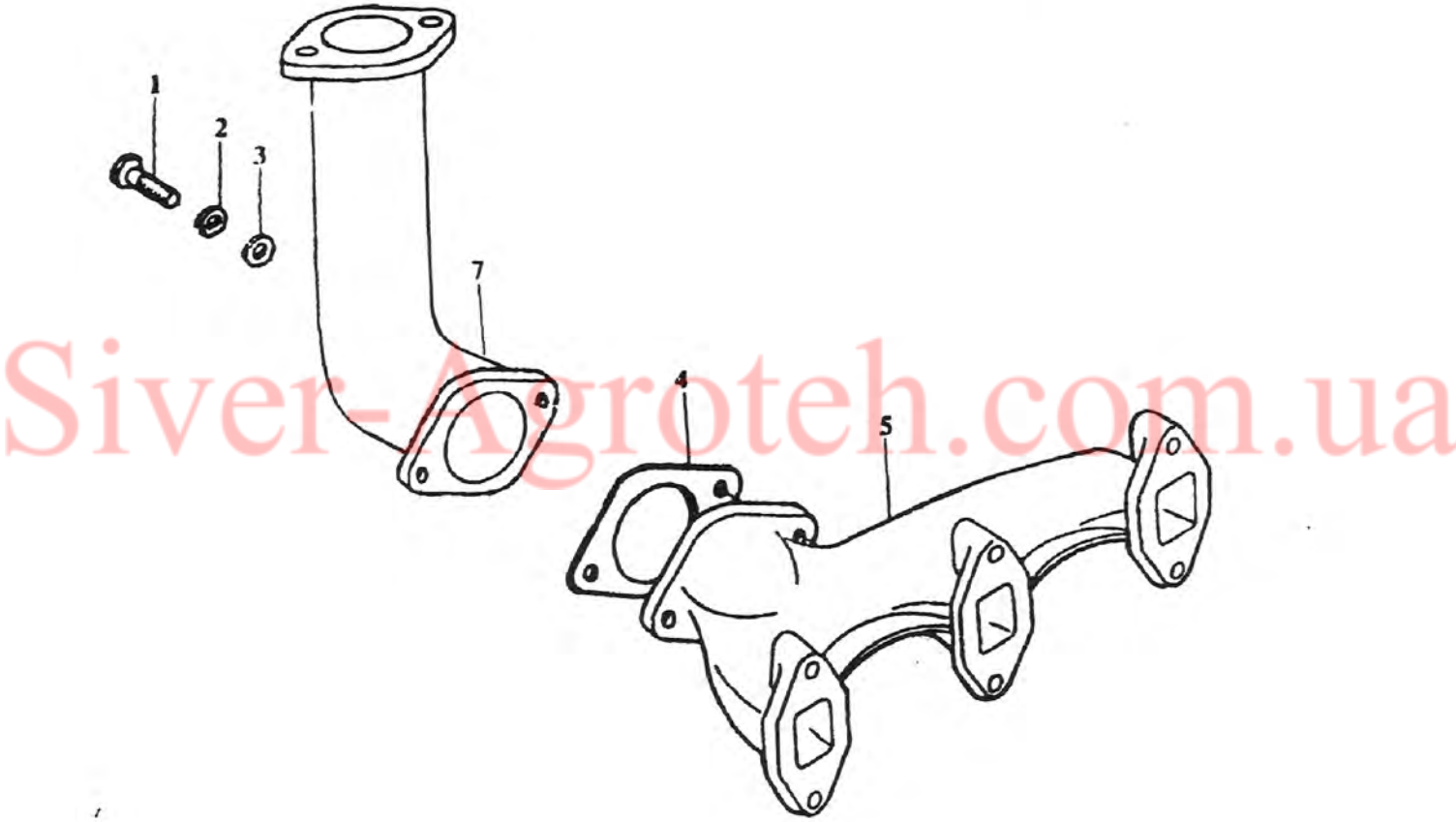
Intake Manifold Assy



Intake Manifold Assy

No	Parts No		Name of Parts	Qty
	KM385BT	LL380BT		
1	LL380B-07001	LL380B-07001	Intake manifold	1
2	KM385T-07004	KM385T-07004	Intake manifold cover joint pipe	1
3	L375-07005	L375-07005	Joint cover	1
4	KM385T-07006	KM385T-07006	Screw plug	1
5	L375Y3-07003	L375Y3-07003	Intake manifold cover gasket	3
6	L375Y3-07002	L375Y3-07002	Intake manifold cover	3
7	GB97.1-85	GB97.1-85	Washer 10	6
8	GB93-87	GB93-87	Washer 10	6
9	GB5783-86	GB5783-86	Bolt M8 × 25	4
10	GB5783-86	GB5783-86	Bolt M10 × 30	2

Exhaust Manifold Assy

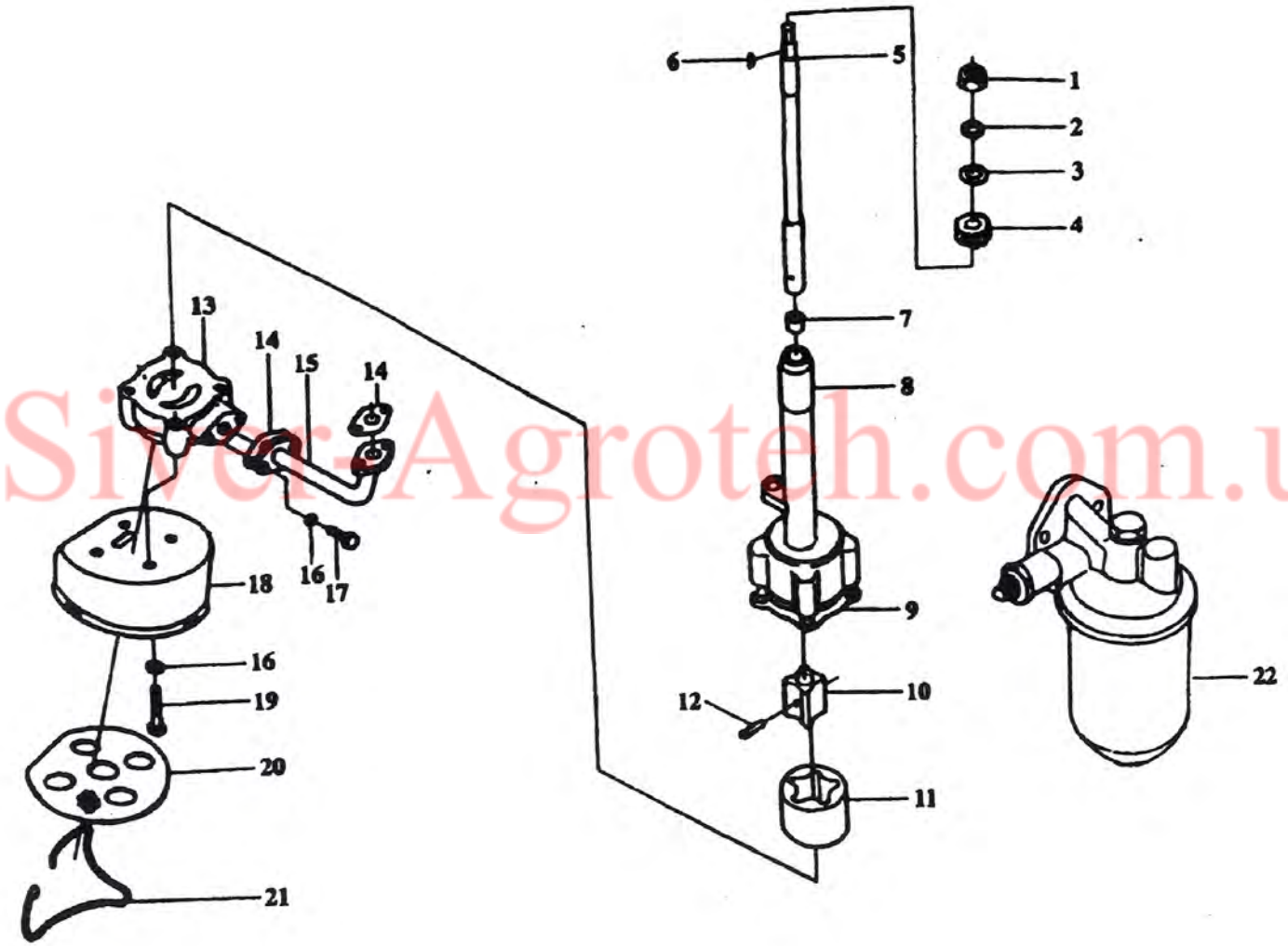


Exhaust Manifold Assy

No	Parts No		Name of Parts	Qty
	KM385BT	LL380BT		
1	GB5783-86	GB5783-86	Bolt M10 × 30	2
2	GB93-87	GB93-87	Washer 10	2
3	GB97.1-85	GB97.1-85	Washer 10	2
4	LL480-08002	LL480-08002	Exhaust manifold gasket	1
5	LL380B-08001	LL380B-08001	Exhaust manifold	1
6	KM385T-08003	KM385T-08003	Muffler joint	1

Siver-Agroteh.com.ua

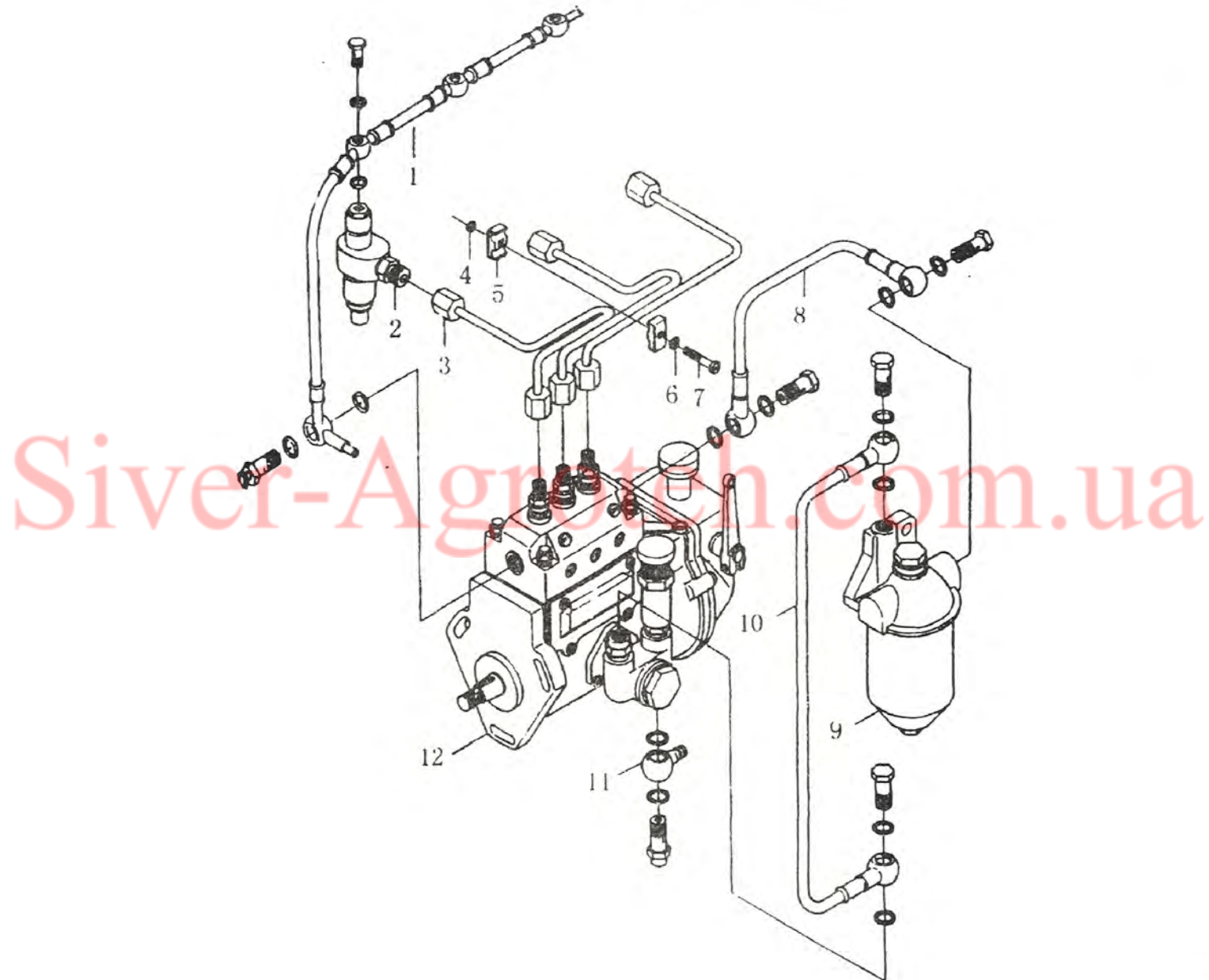
Lubricating System Assy



Lubricating System Assy

No	Parts No		Name of Parts	Qty
	KM385BT	LL380BT		
1	GB6170-86	GB6170-86	Nut M 10	1
2	GB893-87	GB893-87	Washer 10	1
3	LL480-09101	LL480-09101	Oil pump driven gear	1
4	LL480-09102	LL480-09102	Oil pump body bush	1
5	LL380-09103-2	LL380-09103-2	Oil pump body	1
6	GB1099-79	GB1099-79	Woodruff key 3 × 5 × 13	2
7	KM485QB-09111-2	LL380-09111-1	Oil pump shaft	1
8	KM485QB-09104	LL380-09104	Inner rotor	2
9	LL480-09113	LL480-09113	Pin A5 × 18	6
10	KM485QB-09105	LL380-09105	Outer rotor	1
11	LL480-09106	LL480-09106	Oil pump gasket	1
12	LL480-09107	LL480-09107	Oil pump cover	1
13	L375-09001	L375-09001	Oil outlet pipe flange gasket	1
14	LL480-09400-1	LL480-09400-1	Oil outlet pipe unit	1
15	LL480-09108	LL480-09108	Gauze strainer	1
16	GB93-87	GB93-87	Washer 8	1
17	GB5783-86	GB5783-86	Bolt M8 × 20	1
18	LL480-09200	LL480-09200	Weldment	1
19	LL480-09003	LL480-09003	Gauze support	4
20	GB5782-86	GB5782-86	Bolt M8 × 45	4
21	KM385T-09300	KM385T-09300	Oil filter	1

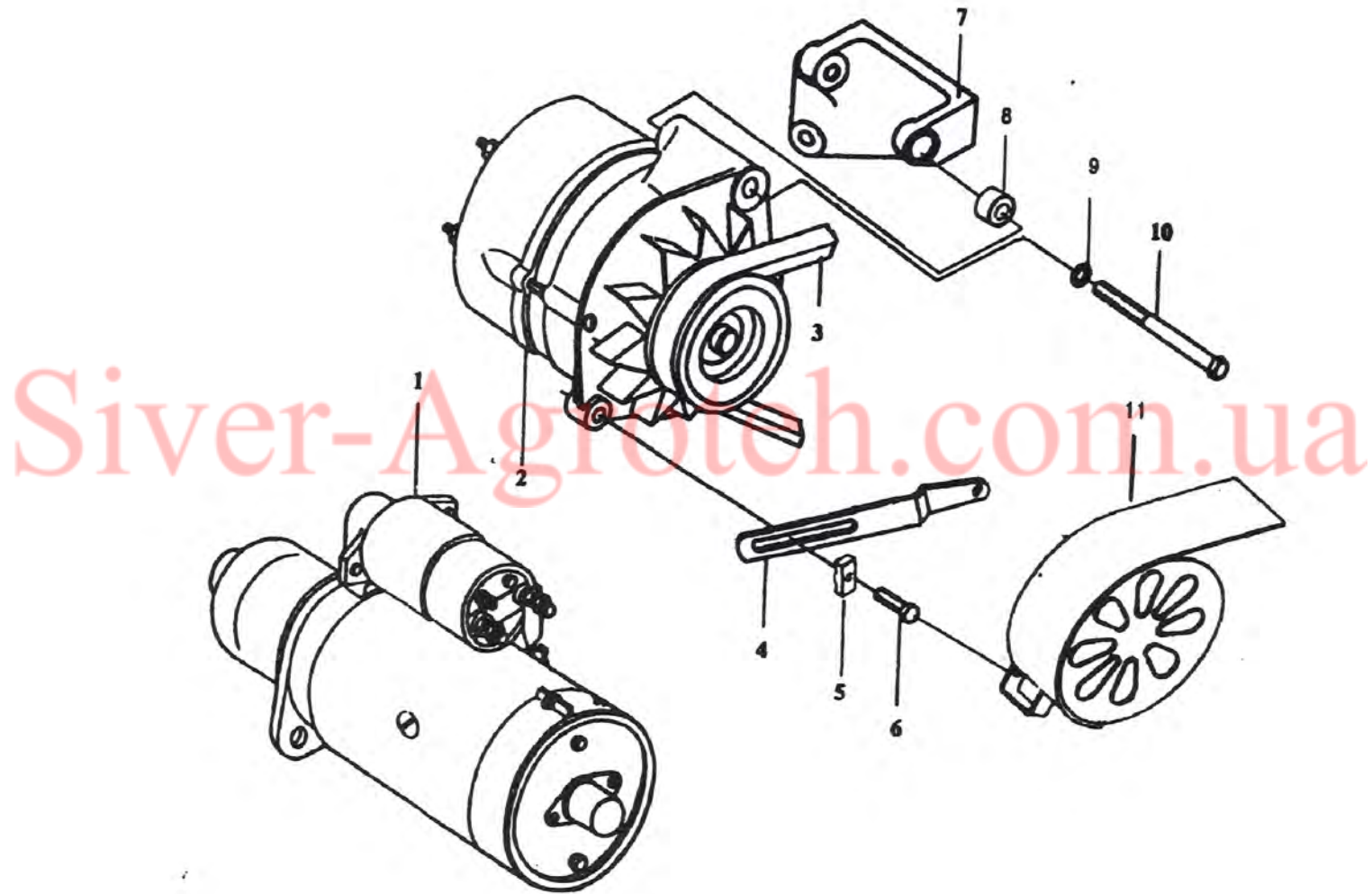
Fuel System Assy



Fuel System Assy

No	Parts No		Name of Parts	Qty
	KM385BT	LL380BT		
1	KM385T-10400	KM385T-10400	Fuel return pipe	1
2	LL480B-10300	LL480B-10300	Fuel injector	3
3	LL380B-10200	LL380B-10200	Fuel injection pipe	1
4	GB6170-86	GB6170-86	Nut M6	2
5	D495QB-10600	D495QB-10600	Fuel injection pipe clamp	2
6	GB93-87	GB93-87	Washer 6	2
7	GB65-85	GB65-85	Screw M6 × 30	2
8	LL380-10600	LL380-10600	Line from filter to injection pump	1
9	KM385T-10500	KM385T-10500	Fuel filter	1
10	L375-10700	L375-10700	Line from feed pump to filter	1
11	L375-10801B	L375-10801B	Pipe joint	1
12	3I344	3QF98	Three cylinder injection pump assy	1

Electric System Assy



Siver-Agrotech.com.ua

Electric System Assy

No	Parts No		Name of Parts	Qty
	KM385BT	LL380BT		
1	KM385T-12300	KM385T-12300	Starting motor unit	1
2	KM385T-12100	KM385T-12100	Alternator	1
3	GB12732-1996-1071	GB12732-1996-1071	Belt	1
4	KM385T-01029	KM385T-01029	Alternator adjustable support	1
5	D495QB-01038	D495QB-01038	Compresion plate	1
6	GB5781-86	GB5781-86	Bolt M8 × 25	1
7	KM385T-01028	KM385T-01028	Alternator fasten support	1
8	L375-01033-1	L375-01033-1	Alternator fasten support bush	1
9	GB848-85	GB848-85	Washer 8-100HV	1
10	GB5782-86	GB5782-86	Bolt M8 × 100	1
11		KM385T-12110	Alternator housing	1