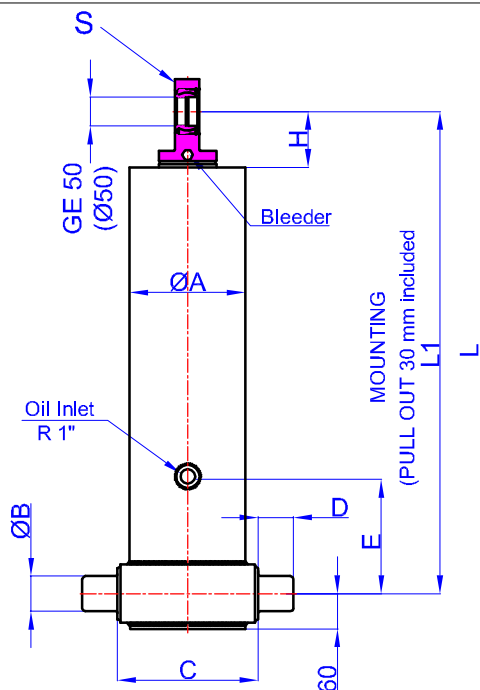
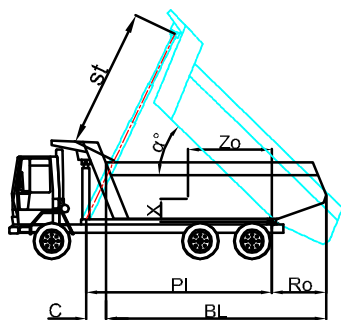


|                             |                                 |
|-----------------------------|---------------------------------|
| <b>GHS 175 x 5 x 7100 C</b> | <b>Stock Code</b> : 43175571003 |
|                             | <b>Reference No</b> : 01-001    |



|     |           |
|-----|-----------|
| A   | : 197 mm  |
| B   | : 60 mm   |
| C   | : 240 mm  |
| D   | : 60 mm   |
| E   | : 350 mm  |
| H   | : 95 mm   |
| L   | : 1747 mm |
| *L1 | : 1777 mm |
| S   | : 42 mm   |

\* Inc 30 mm pull out :  
 tolerance +20 -0  
 Hard Chromed all stages  
 Working Pressure : 170 Bar  
 Max. Working Pressure : 190 Bar  
 All Cylinder Materials are St  
 52 Cold Drawn Tubes



| STAGE                    | 1    | 2      | 3    | 4    | 5    | 6 | 7 | 8 | TOTAL |
|--------------------------|------|--------|------|------|------|---|---|---|-------|
| EFFECTIVE DIAMETER (mm)  | Ø175 | Ø154,5 | Ø135 | Ø116 | Ø98  |   |   |   |       |
| STROKE                   | 1420 | 1420   | 1420 | 1420 | 1420 |   |   |   | 7100  |
| OIL DISPLACEMENT (L)     | 36   | 28,5   | 22   | 16,5 | 12   |   |   |   | 124,5 |
| THRUST AT 170 BAR (TONS) | 40   | 31     | 24   | 18   | 12   |   |   |   |       |

| BL (body length)                    | 9100 |      | 8900 |      |      | 8700 |      |      |      |
|-------------------------------------|------|------|------|------|------|------|------|------|------|
| Ro (rear overhang)                  | 200  | 500  | 800  | 200  | 500  | 800  | 200  | 500  | 800  |
| α°                                  | 45   | 46   | 48   | 46   | 48   | 49   | 47   | 49   | 51   |
| Ycog (vert. pos. centre of gravity) | 600  |      |      |      |      |      |      |      |      |
| PI (Pivot length)                   | 33   | 36   | 38   | 34   | 36   | 39   | 34   | 37   | 40   |
| α° = st x 60 / PI                   | 900  | 35   | 38   | 41   | 36   | 39   | 42   | 37   | 40   |
|                                     | 1200 | 37   | 40   | 45   | 38   | 42   | 47   | 39   | 43   |
| st                                  | 6825 | 6746 | 6800 | 6823 | 6880 | 6778 | 6815 | 6860 | 7055 |

Weight : 290 Kg

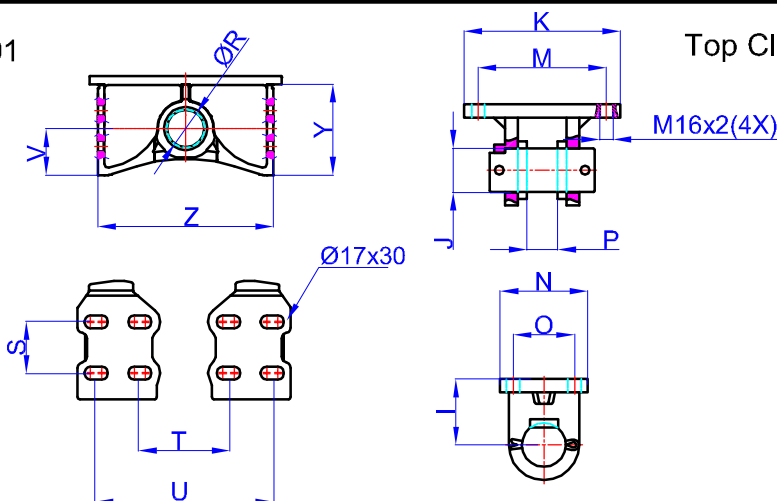
Drawing No : 43175571003-02-001

Bracket : 47000024-0001

|   |           |
|---|-----------|
| R | : 60,8 mm |
| S | : 70 mm   |
| T | : 218 mm  |
| U | : 334 mm  |
| V | : 80 mm   |
| Y | : 152 mm  |
| Z | : 368 mm  |

\* Bracket are optional

Weight : 16,5 Kg



Top Clavis : 47000026-02-002

|   |          |
|---|----------|
| I | : 85 mm  |
| J | : 50 mm  |
| K | : 216 mm |
| M | : 184 mm |
| N | : 125 mm |
| O | : 95 mm  |
| P | : 39 mm  |

\* Bracket are optional