



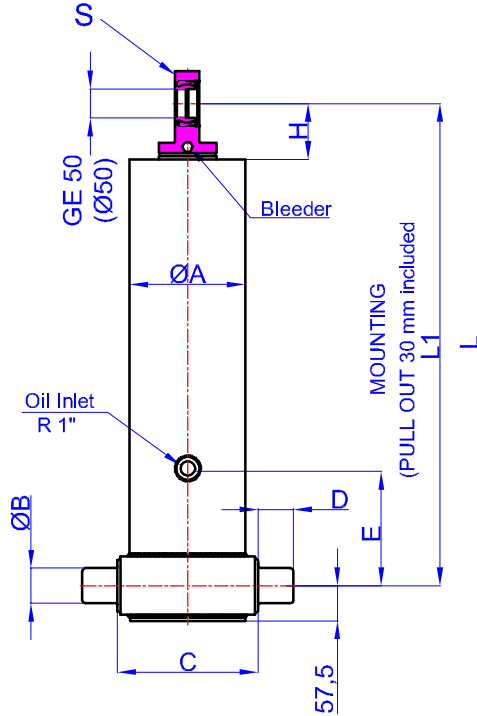
GALİPOĞLU
HIDROMAS

Phone : +90 332 239 08 52 (pbx)
 Fax : +90 332 239 08 51
 Mail : hidromas@hidromas.com
 Address : Büyükkayacık Mah. Konya O.S.B. 3 Nolu Sk No:1/A 42250
 SELÇUKLU / KONYA
 TÜRKİYE

GHS 155 x 5 x 5325 C

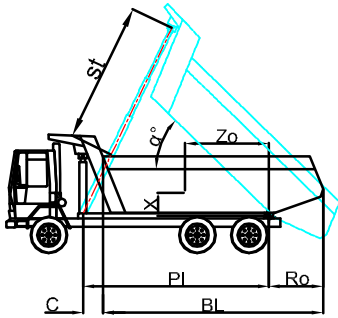
Stock Code : 43155553253

Reference No : 01-001



- A : 175 mm
- B : 60 mm
- C : 215 mm
- D : 60 mm
- E : 350 mm
- H : 95 mm
- L : 1350 mm
- *L1 : 1380 mm
- S : 42 mm

* Inc 30 mm pull out :
 tolerance +20 -0
 Hard Chromed all stages
 Working Pressure : 170 Bar
 Max. Working Pressure : 190 Bar
 All Cylinder Materials are St
 52 Cold Drawn Tubes



| STAGE | 1 | 2 | 3 | 4 | 5 | 6 | 7 | 8 | TOTAL |
|--------------------------|--------|------|------|------|------|---|---|---|-------|
| EFFECTIVE DIAMETER (mm) | Ø154,5 | Ø135 | Ø116 | Ø98 | Ø80 | | | | |
| STROKE | 1065 | 1065 | 1065 | 1065 | 1065 | | | | 5325 |
| OIL DISPLACEMENT (L) | 21 | 16 | 12 | 8,5 | 6 | | | | 63,5 |
| THRUST AT 170 BAR (TONS) | 31 | 24 | 18 | 12 | 8 | | | | |

BL (body length)
 Ro (rear overhang)
 Ycog (vert. pos. centre of gravity)
 PI (Pivot length)
 $\alpha^\circ = \text{st} \times 60$
 PI

| | | | | | | | | | | |
|----------------|------|------|------|------|------|------|------|------|------|----|
| BL | 200 | 6800 | | 200 | 6600 | | 200 | 6400 | | |
| Ro | 45 | 500 | 800 | 47 | 500 | 800 | 48 | 500 | 800 | |
| α° | | 47 | 50 | | 49 | 52 | | 51 | 54 | |
| Ycog | 600 | 21 | 24 | 27 | 22 | 25 | 28 | 23 | 26 | 29 |
| | 900 | 23 | 26 | 30 | 24 | 28 | 32 | 25 | 29 | 35 |
| | 1200 | 26 | 29 | 36 | 27 | 31 | 39 | 28 | 34 | 43 |
| st | 5100 | 5091 | 5166 | 5170 | 5145 | 5200 | 5120 | 5185 | 5220 | |

Weight : --- Kg

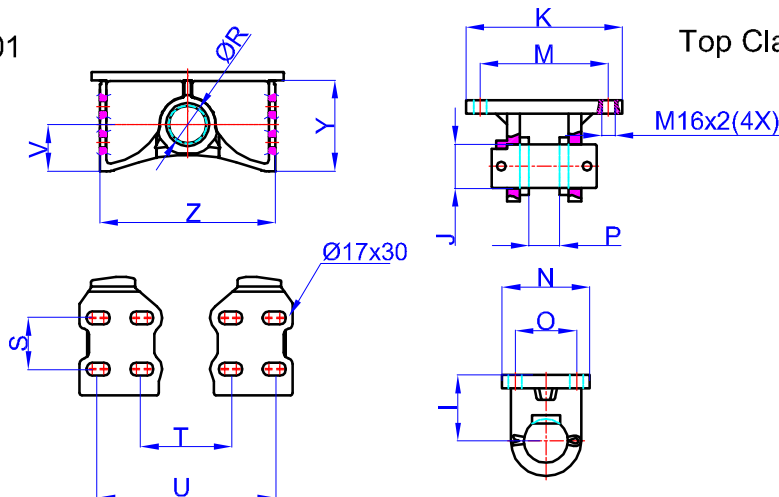
Drawing No : 43155553253-02-001

Bracket : 47000017-0001

- R : 60,8 mm
- S : 70 mm
- T : 193 mm
- U : 313 mm
- V : 76 mm
- Y : 148 mm
- Z : 286 mm

* Bracket are optional

Weight : 9,5 Kg



Top Clavis : 47000026-02-002

- I : 85 mm
- J : 50 mm
- K : 216 mm
- M : 184 mm
- N : 125 mm
- O : 95 mm
- P : 39 mm

* Bracket are optional