



REFERENCE:
W-13

COUNTRY OF ORIGIN: PRC

TECHNICAL SPECIFICATIONS:

- nickled plated pins
- 13pin 12V
- black color
- carton dimension 490x300x270 mm
- 100 pcs in bulk box
- plug weight: 155g

Warning and installation instructions:

- Use in accordance to the purpose.
- Install only in specialized workshops or professional services.
- The connector is used to connect the pneumatic brake system of the vehicle with the trailer system.



www.truck-kamar.pl

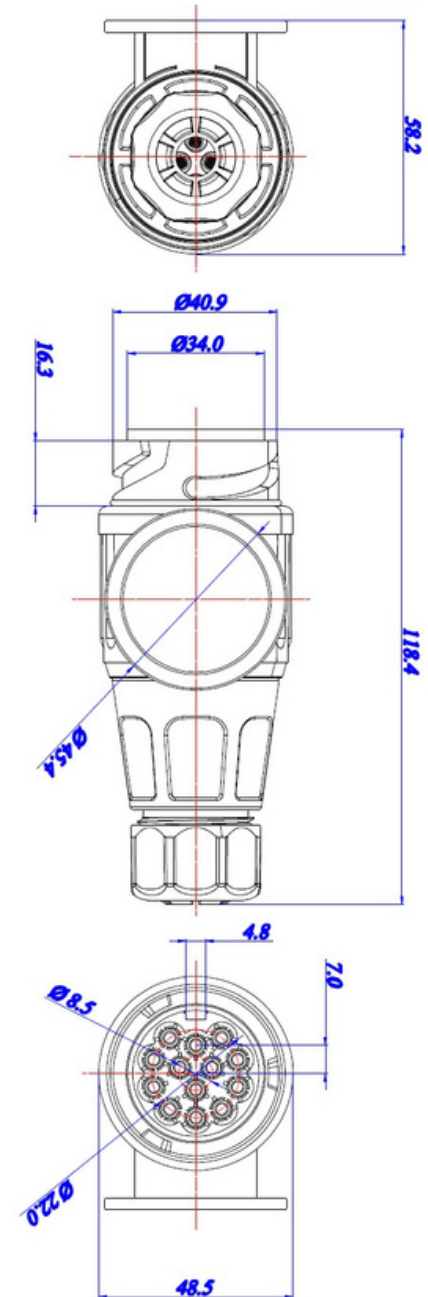
PHOTO:



MARK	FUNCTION
1	Left Turn Signal
2	Rear fog lamps
3	Ground connected
4	Right Turn Signal
5	Tail lamps, right side
6	Stop lamps
7	Tail lamps left side
8	Reversing lamps
9	+12V permanent
10	+12V via ignition lock
11	Ground (-) for pin 10
12	Reserved for future allocation
13	Ground (-) for pin 9

PLUG 13 PIN NICKLE PLATED

EAC



We reserve the right to change technical data and any errors. Photos and specifications are for reference only, and the actual product may vary slightly. Reproduction in whole or parts of the catalog without written authorization is prohibited.