



**REFERENCE:
G13**

SOCKET 13 PIN NICKLE PLATED

TECHNICAL SPECIFICATIONS:

- 13pin 12V
- nickled plated pins
- color: black
- carton dimension: 500x230x270mm,
- 100 pcs in bulk box
- plug weight: 135g

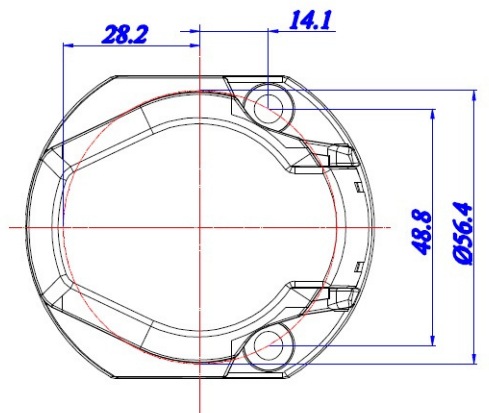
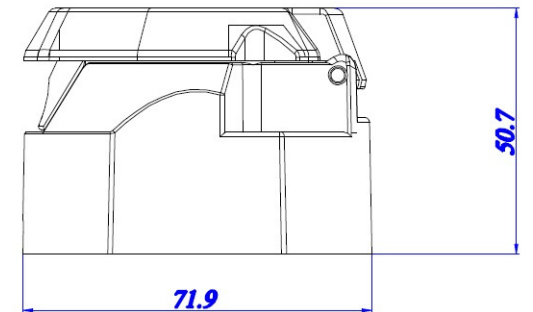
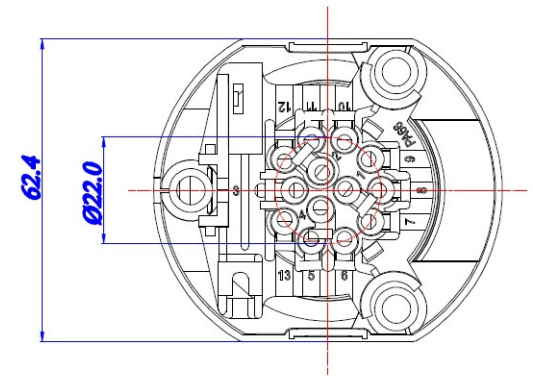
WARNING AND INSTALLATION INSTRUCTIONS:

- Use in accordance to the purpose.
- Install only in specialized workshops or professional services.
- The connector is used to connect the pneumatic brake system of the vehicle with the trailer system.



www.myKAMAR.com

PHOTO:



MARK	FUNCTION
1	Left Turn Signal
2	Rear fog lamps
3	Ground connected
4	Right Turn Signal
5	Tail lamps, right side
6	Stop lamps
7	Tail lamps left side
8	Reversing lamps
9	+12V permanent
10	+12V via ignition lock
11	Ground (-) for pin 10
12	Reserved for future allocation
13	Ground (-) for pin