

# Check valve type UZZB 10

NS 10 |  $p_{max}$  35 MPa |  $Q_{max}$  60 dm<sup>3</sup>/min | WK 450 347



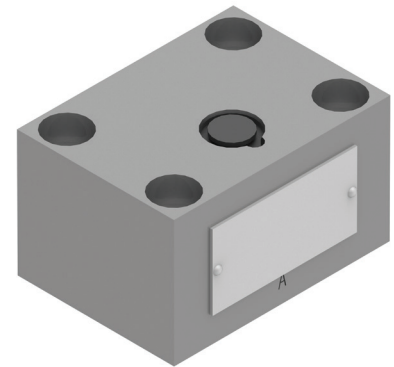
## DATA SHEET - OPERATION MANUAL

### APPLICATION

Check valve **UZZB10...** type is used for closing fluid flow in one direction and opening free flow in the opposite direction. The valve and subplate can be mounted in any position.

### DESCRIPTION OF OPERATION

When fluid flows from **A** to **B**, the pressure moves the poppet **2** pushed by the spring **3** from the seat in the housing **1** opening free flow. The cracking pressure depends from the initial tension of the spring. In the opposite direction from **B** to **A**, the spring and fluid press down the poppet to the seat, closing the flow.



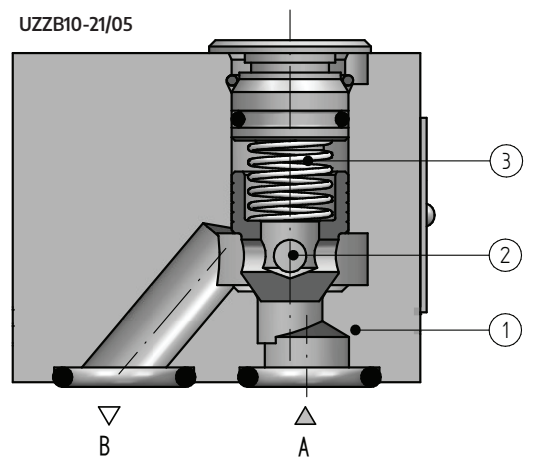
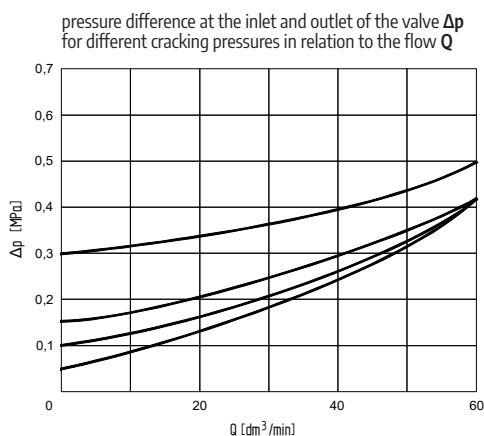
### TECHNICAL PARAMETERS

|                                   |  |          |
|-----------------------------------|--|----------|
| hydraulic fluid                   | mineral oil                                |          |
| required fluid cleanliness class  | ISO 4406 class 20/18/15                    |          |
| nominal fluid viscosity           | 37 mm <sup>2</sup> /s at temperature 55 °C |          |
| viscosity range                   | 2,8 ÷ 380 mm <sup>2</sup> /s               |          |
| fluid temperature range (in tank) | max. -20 ÷ 70 °C; rec. 40 ÷ 55 °C          |          |
| ambient temperature range         | -20 ÷ 70 °C                                |          |
| max. working pressure             | 35 MPa                                     |          |
| cracking pressure                 | 0 MPa (without spring)                     | 0,05 MPa |
|                                   | 0,1 MPa                                    | 0,15 MPa |
|                                   | 0,3 MPa                                    |          |
| weight                            | 1,7 kg                                     |          |

assembly and operation requirements at: [www.operating-conditions.ponar.pl](http://www.operating-conditions.ponar.pl)

### CHARACTERISTICS

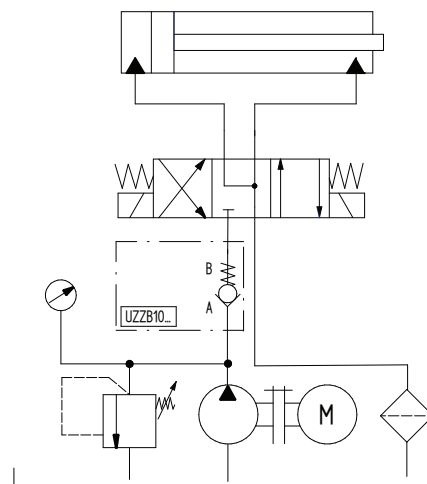
for fluid viscosity  $\nu = 41 \text{ mm}^2/\text{s}$  and temp.  $t = 50 \text{ }^\circ\text{C}$



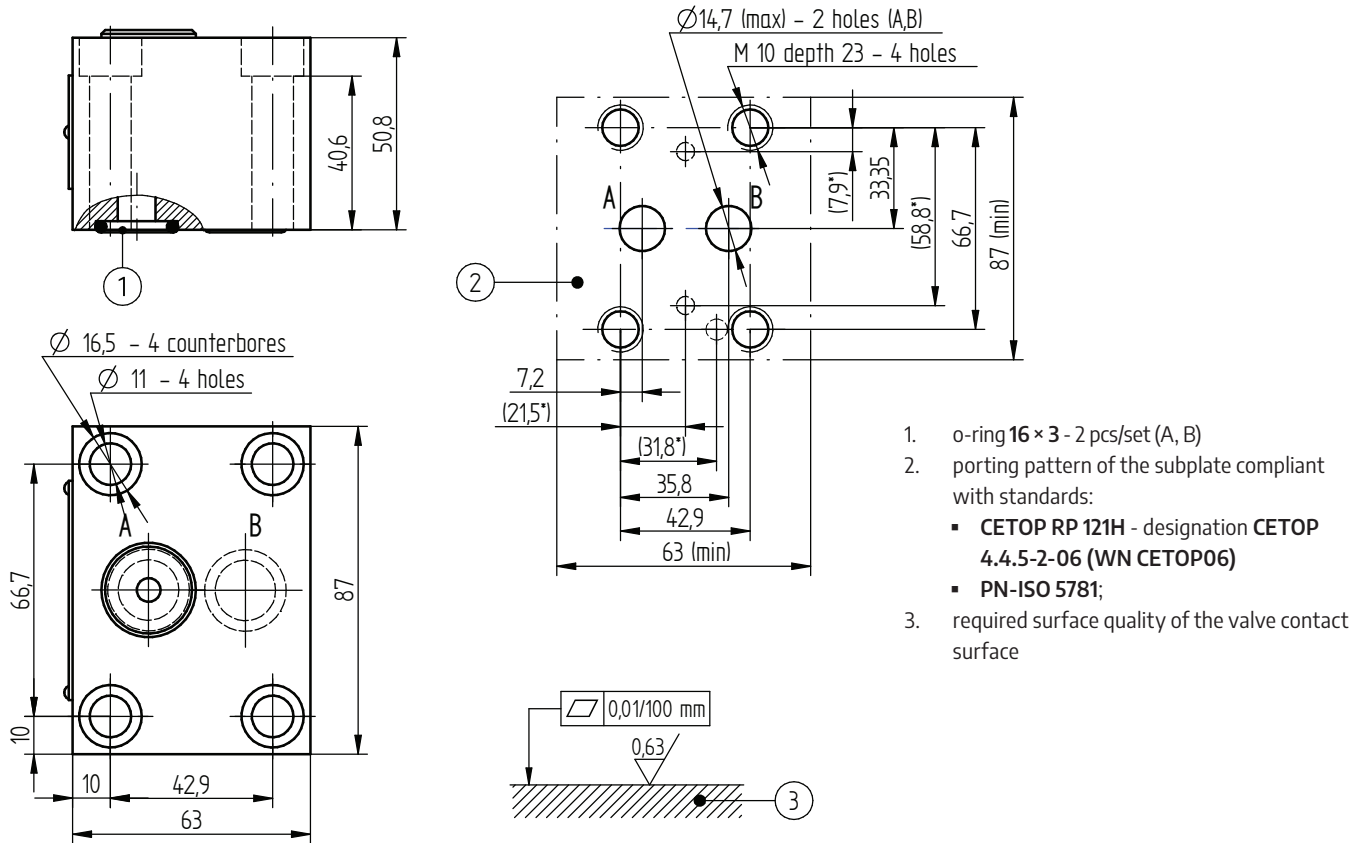
### HYDRAULIC DIAGRAM



### APPLICATION EXAMPLE



## OVERALL AND CONNECTION DIMENSIONS



## HOW TO ORDER

UZZB 10 - [ ] / [ ] [ ] [ ] \*

1 2 3 4 5

### 1 nominal size

NS10 = 10

### 2 series number

series 21 = 21  
(20 ÷ 29) - connection and installation dimensions unchanged

### 3 cracking pressure

0 MPa (without spring) = 00  
0,05 MPa = 05  
0,1 MPa = 10  
0,15 MPa = 15  
0,3 MPa = 30

### 4 sealing

NBR (for fluids on mineral oil base) = Ø  
FKM (for fluids on phosphate ester base) = V

### 5 further requirements = \*

(to be agreed upon with the Manufacturer)

Ø indicates that the box should be left blank.

The **symbols in bold** are the preferred versions available in short delivery time.  
coding example: : **UZZB10-21/05**

## SUBPLATES AND MOUNTING SCREWS

Subplates should be ordered according to data sheet **WK 450 798:**  
**G461/01** - threaded connection - **G½**

Subplates and mounting screws for mounting the valve **M10 × 50 - 10.9** acc. to **PN - EN ISO 4762 (PN/M - 82302)** - 4 pcs/set **delivered on separate order.**  
Tightening torque of the screws **M<sub>d</sub> = 73 Nm.**

## CONTACT

PONAR Wadowice S.A.  
ul. Wojska Polskiego 29  
34-100 Wadowice

tel. +48 33 488 21 00  
www.ponar-wadowice.pl