



Model: JDV-12150DR  
JDV-24150DR

Dimension: 105x90x58mm

**Brief Information**

For Din-Rail  
TS35X7.5/TS35X15

**150W**

**Din-Rail Power Supply**

Model JDV-12150DR / JDV-24150DR

Input 100-250V AC

Output 12VDC 12.5A 150W / 24VDC 6.25A 150W

**Product Features**

- High transfer efficiency
- Stable constant voltage output
- Withstand 300VAC surge input for 5s
- 100% full loading, 100% burn-in tested
- Overload/short circuit protection
- Low standby power consumption
- Low ripple & noise

**MAIN ELECTRICAL DATA**

**AC Input**

Input Voltage	100-250V
Input Frequency	50/60Hz
Efficiency (Typ.)	91%
Input Current	230V: 1.8A 120V: 3A
Inrush Current	70A@230V 35A@110V
Leakage Current	0.5mA/230VAC

**DC Output**

Output Voltage	12V	24V
Rated Current	12.5A	6.25A
Rated Power	150W	150W
Ripple & Noise (Max.)	<150mVp-p	<150mVp-p
Setup, Rise Time	1500ms/230VAC	1500ms/230VAC
Line Regulation	1%	1%
Load Regulation	1%	1%

**Service Environment**

Working Temp.	-30°C~65°C
Working Humidity	20~90%RH
Storage Temp.	-40°C~80°C
Storage Humidity	10~90%RH

**Protection**

Overload	Yes, hiccup mode
Short Circuit	Hiccup, continuous, self-recovery

**Safety**

Withstand Voltage	I/P-O/P: 4000VAC/1min/<5mA
Isolation Resistance	I/P-O/P: >100M Ohms / 500VDC /25°C / 70%RH

EN55032 CLASS B  
EN55032 CLASS B  
IEC/EN61000-3-2 CLASS A  
IEC/EN61000-4-2 Contact ±4KV/Air ±8KV Perf. Criteria A  
IEC/EN61000-4-3 10V/m Perf. Criteria A  
IEC/EN61000-4-4 ±4KV Perf. Criteria B  
IEC/EN61000-4-5 Line to line ±2KV Perf. Criteria A  
IEC/EN61000-4-6 10Vr.m.s Perf. Criteria A  
IEC/EN61000-4-11 100% dip 1 periods, 30% dip 25 periods,  
100% interruptions 250 periods Perf. Criteria B

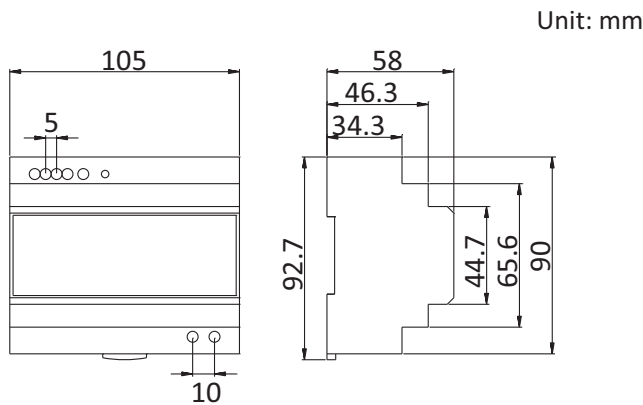
Product Dimension	105x90x58mm
Products Net Weight	330g

**Installation Tips:**

- Please identify the power supply's input and output before installation.
- Ensure correct output + & - wire connection.  
Power on after wire connection is done.
- To avoid voltage drop and loading capacity wasting on the output extension wire, please install the power supply to the loading as near as possible, if must use long extension wires, thicker wires and less loading wattage is required.
- The power supply to be installed at good ventilation and cooling environment.

The power behind your lights

## Physical Drawing



### Brief Information

For Din-Rail  
TS35X7.5/TS35X15

# 150W

### Din-Rail Power Supply

Model JDV-12150DR / JDV-24150DR

Input 100-250V AC

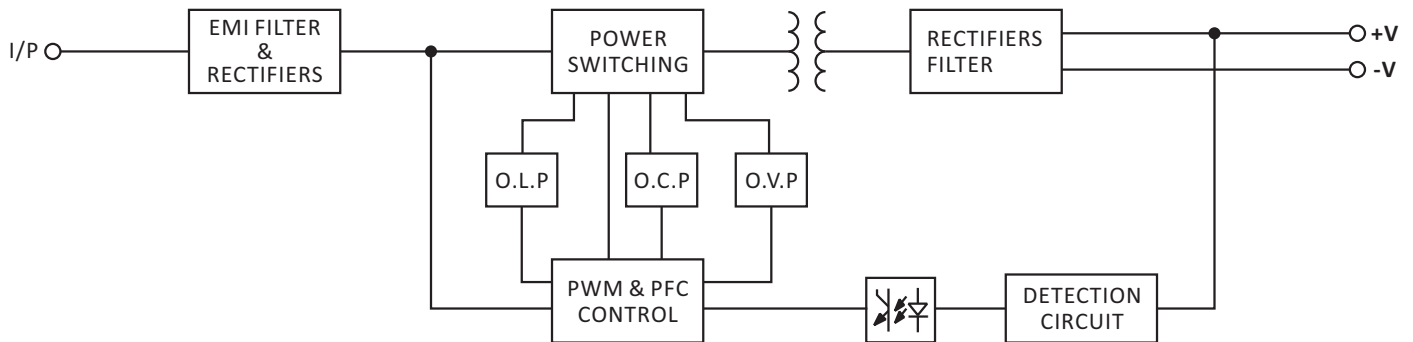
Output 12VDC 12.5A 150W / 24VDC 6.25A 150W

Case Material: Plastic, heat-resistant (UL94V-0)

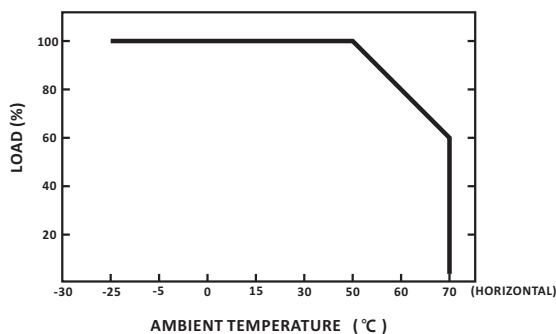
Color: Black

Cooling Method: Free air convection

## Block Diagram



## Derating Curve



## Static Characteristics

