



Data Specs

LCT3780 30V/10A High Efficiency Auto Up-Down (Buck-Boost) DC-DC Converter

This buck-boost (auto up/down) DC-DC converter module is based on LCT3780 high efficiency buck-boost switching regulator IC. This module can operate from input voltages above, below or equal to the output voltage. This module is with constant Voltage (CV), Constant Current (CC) and Input Under-Voltage (UV) adjustment control. Suitable for general purpose variable power supply and battery charger application, industry control and telecoms systems.



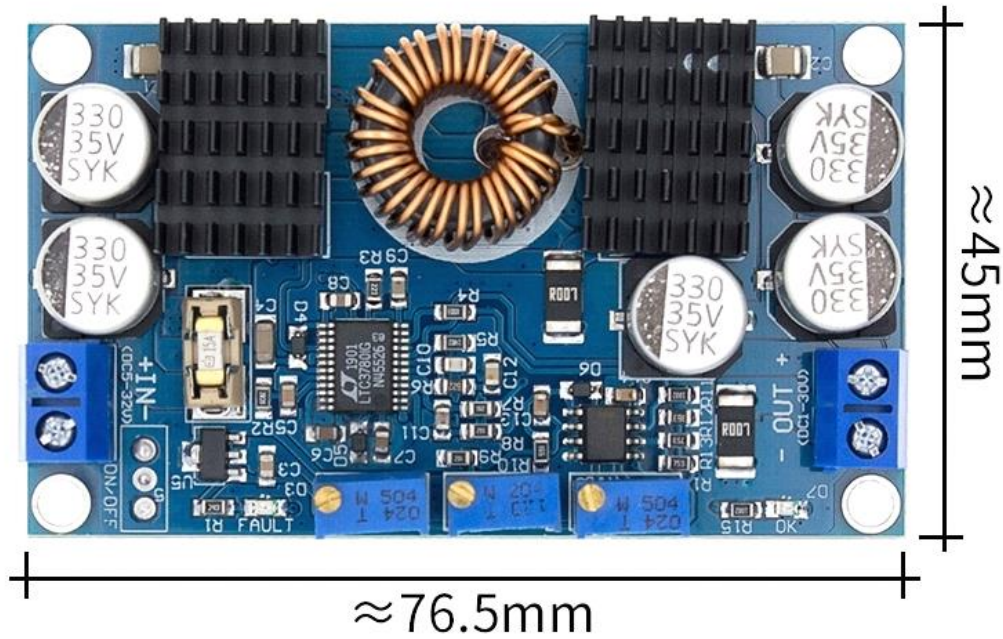
SKU: [MDU1145](#)

Specifications:

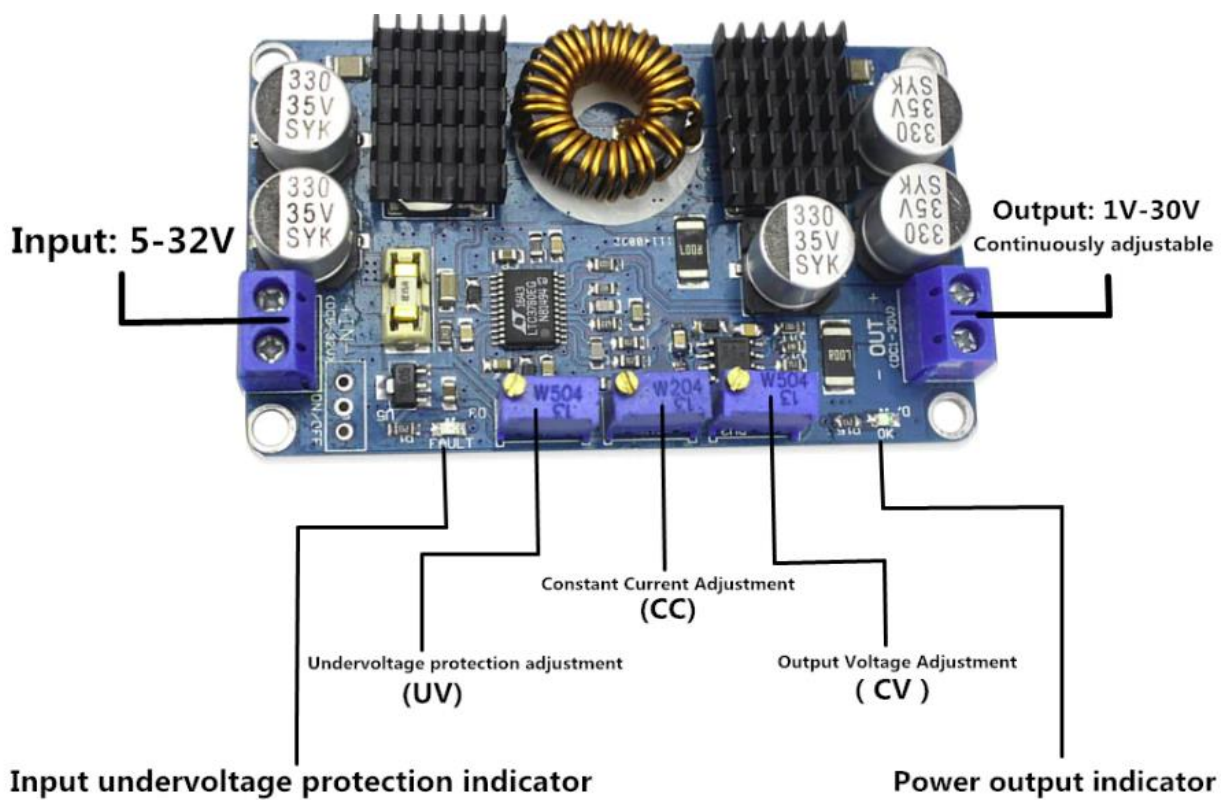
- Model Number: LTC3780 Module.
- Operating Mode: Buck-Boost (Auto Step-up/Step-Down).
- Control Mode: Constant Voltage (CV)/Constant Current (CC).
- Input Voltage: (5~32) VDC.
- Output Voltage: (1~30V) VDC Continuous Variable with Trimpot.
- Output Current: 10A maximum, 7A continuous.
- Output Power: 80W continuous, peak 130W.
- Input Fused: 15A; removable SMD fuse.
- Short Circuit Protected.
- Efficiency: ~98%.
- Input Under Voltage (UV) Cut-off.
- Module Size: (78x46x15) mm.

Mechanical Dimension:

Unit: mm



Functional Diagram:





Handsontec.com

We have the parts for your ideas

HandsOn Technology provides a multimedia and interactive platform for everyone interested in electronics. From beginner to diehard, from student to lecturer. Information, education, inspiration and entertainment. Analog and digital, practical and theoretical; software and hardware.



open source
hardware

HandsOn Technology support Open Source Hardware (OSHW) Development Platform.

Learn : Design : Share

www.handsontec.com



The Face behind our product quality...

In a world of constant change and continuous technological development, a new or replacement product is never far away – and they all need to be tested.

Many vendors simply import and sell without checks and this cannot be the ultimate interests of anyone, particularly the customer. Every part sell on Handsotec is fully tested. So when buying from Handsotec products range, you can be confident you're getting outstanding quality and value.

We keep adding the new parts so that you can get rolling on your next project.



www.handsontec.com

[Breakout Boards & Modules](#)



[Connectors](#)



www.handsontec.com

[Electro-Mechanical Parts](#)



www.handsontec.com

[Engineering Material](#)



www.handsontec.com

[Mechanical Hardware](#)



[Electronics Components](#)

P



www.handsontec.com

[Power Supply](#)



[Arduino Board & Shield](#)

Tools & Accessory



www.handsontec.com

[Tools & Accessory](#)