

# ADLER

EUROPE



## AD 7730

(GB) user manual - 6	(D) bedienungsanweisung - 10
(F) mode d'emploi - 16	(E) manual de uso - 20
(P) manual de serviço - 24	(LT) naudojimo instrukcija - 28
(LV) lietošanas instrukcija - 32	(EST) kasutusjuhend - 36
(H) felhasználói kézikönyv - 49	(BIH) upute za rad - 45
(RO) Instrucțiunea de deservire - 41	(CZ) návod k obsluze - 69
(RUS) инструкция обслуживания - 108	(GR) οδηγίες χρήσεως - 79
(MK) упатство за корисникот - 96	(NL) handleiding - 102
(SLO) navodila za uporabo - 57	(FIN) manwal ng pagtuturo - 53
(PL) instrukcja obsługi - 64	(I) istruzioni operative - 90
(HR) upute za uporabu - 85	(S) instruktionsbok - 114
(DK) brugsanvisning - 74	(UA) інструкція з експлуатації - 129
(SR) Корисничко упутство - 124	(SK) Používateľská príručka - 119
(AR) دليل التعليمات - 135	(BG) Инструкция за употреба - 140

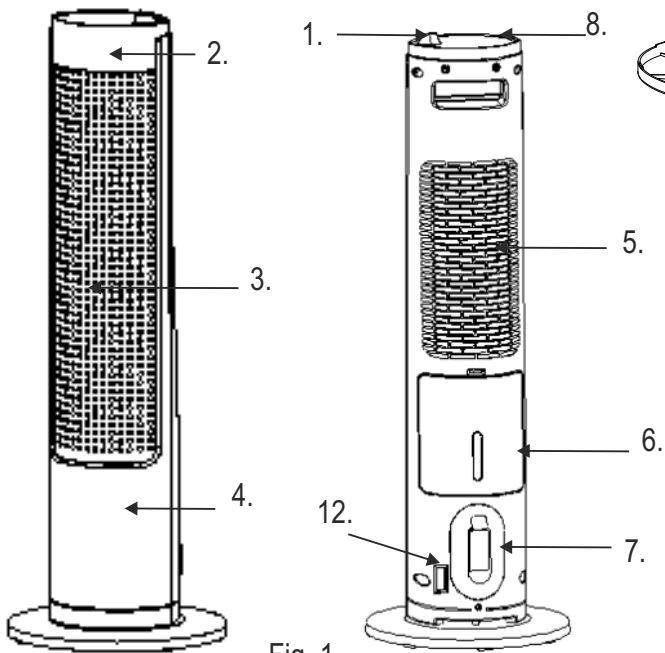


Fig. 1

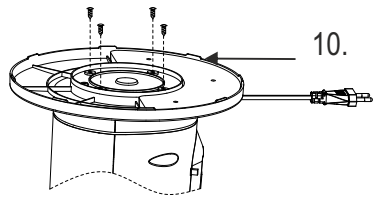


Fig. 2

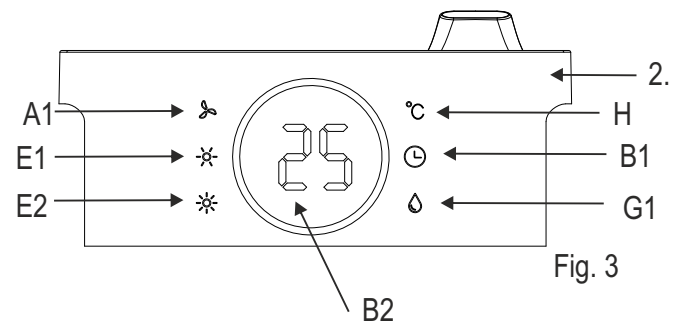
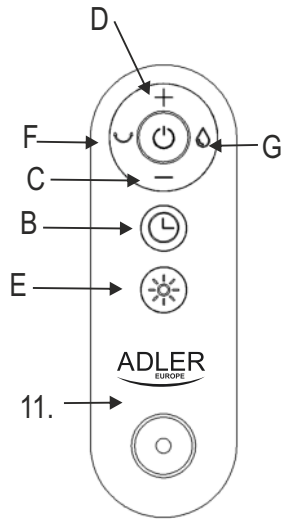
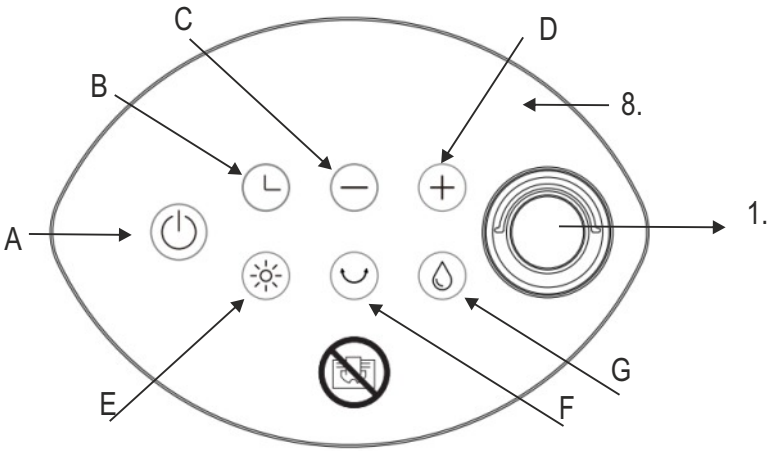
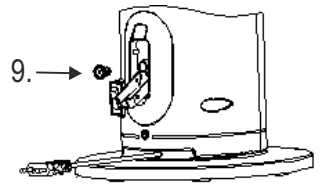


Fig. 3

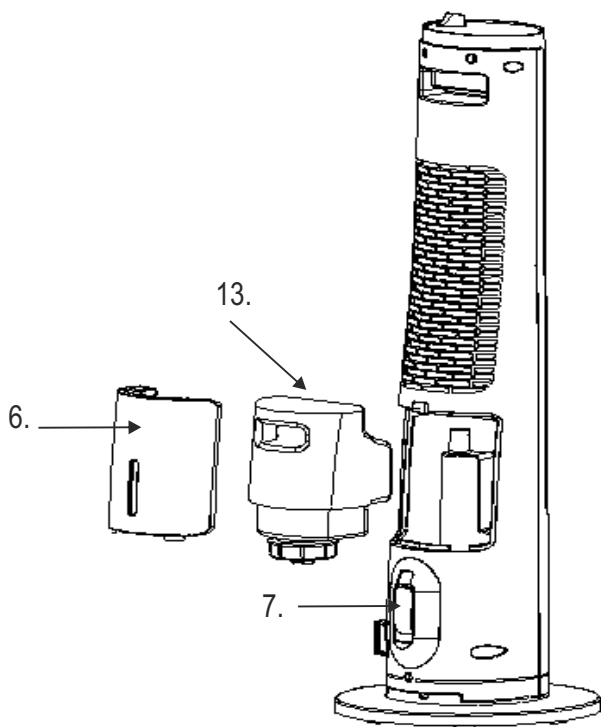


Fig. 4

PL	Ten produkt jest odpowiedni tylko do sporadycznego użytku lub do stosowania w dobrze izolowanych pomieszczeniach.
GB	This product is suitable only for occasional use or for use in well insulated rooms.
D	Dieses Produkt ist nur für den gelegentlichen Gebrauch oder für die Verwendung in gut isolierten Räumen geeignet.
F	Ce produit ne convient que pour une utilisation occasionnelle ou pour une utilisation dans des pièces bien isolées.
E	Este producto es adecuado solo para uso ocasional o para uso en habitaciones bien aisladas.
P	Este produto é adequado apenas para uso ocasional ou para uso em salas bem isoladas.
LT	Šis produktas tinka tik retkaruiš naudoti arba naudoti gerai izoliuose patalpose.
LV	Šis produkts ir piemērots tikai neregulārai lietošanai vai izmantošanai labi izolētās telpās.
EST	See toode sobib ainult aeg-ajalt kasutamiseks või hästi soojustatud ruumides kasutamiseks.
RO	Acest produs este recomandat doar pentru utilizare ocazională sau pentru utilizare în încăperi bine izolate.
BH	Ovaj proizvod je pogodan samo za povremenu upotrebu ili za upotrebu u dobro izoliranim prostorijama.
H	Ez a termék csak alkalmi használatra vagy jól szigetelt helyiségekben való használatra alkalmas.
GR	Το προϊόν αυτό είναι κατάλληλο μόνο για περιστασιακή χρήση ή για χρήση σε καλά μονωμένα δωμάτια.
MK	Ovaj proizvod je pogodan samo za povremenu upotrebu ili za upotrebu u dobro izoliranim prostorijama.
CZ	Tento výrobek je vhodný pouze pro příležitostné použití nebo pro použití v dobře izolovaných pokojích.
RUS	Этот продукт предназначен только для случайного использования или для использования в хорошо изолированных помещениях.
NL	Dit product is alleen geschikt voor incidenteel gebruik of voor gebruik in goed geïsoleerd e ruimtes.
SLO	Izdelek je primeren samo začasno uporabo ali za uporabo v dobro izoliranih prostorih.
HR	Ovaj proizvod je pogodan samo za povremenu upotrebu ili za uporabu u dobro izoliranim prostorijama.
FIN	Tämä tuote sopii vain satunnaiseen käyttöön tai hyvin eristettyihin tiloihin.
S	Denne produkt är endast lämplig för tillfällig användning eller för användning i välisolerade rum.
SK	Tento výrobek je vhodný len na príležitostné použitie alebo na použitie v dobre izolovaných miestnostiach.
I	Questo prodotto è adatto solo per uso occasionale o per l'uso in stanze ben isolate.
SR	Ovaj proizvod je pogodan samo za povremenu upotrebu ili za upotrebu u dobro izoliranim prostorijama.
DK	Denne produkt er kun egnet til lejlighedsvis brug eller til brug i velisolerede rum.
UA	Цей виріб придатний тільки для випадково використання або для використання у добре ізольованих приміщеннях.
AR	هذا المنتج مناسب فقط للاستخدام العرضي أو استخدامه في غرف جيدة العزل.
BG	Този продукт е подходящ само за случайна употреба или за употреба в добре изолирани помещения.

Model Identifier / Identyfikator modelu:

AD7730

Item / Parametr	Symbol	Value / Wartość	Unit / Jednostka	Item / Parametr	Unit / Jednostka
Heat output / Moc cieplna				Type of heat input, for electric storage local space heaters only (select one) / Sposób doprowadzania ciepła wyłącznie w przypadku elektrycznych akumulacyjnych miejscowych ogrzewaczy pomieszczeń (należy wybrać jedną opcję)	
Nominal heat output / Nominalna moc cieplna	$P_{nom}$	2,2	kW	manual heat charge control, with integrated thermostat / ręczny regulator doprowadzania ciepła z wbudowanym termostatem	[no]
Minimum heat output (indicative) / Minimalna moc cieplna (orientacyjna)	$P_{min}$	1,5	kW	manual heat charge control with room and /or outdoor temperature feedback / ręczny regulator doprowadzania ciepła z pomiarem temperatury w pomieszczeniu lub na zewnątrz	[no]
Maximum continuous heat output / Maksymalna stała moc cieplna	$P_{max,c}$	2,2	kW	electronic heat charge control with room and /or outdoor temperature feedback / elektroniczny regulator doprowadzania ciepła z pomiarem temperatury w pomieszczeniu lub na zewnątrz	[no]
Auxiliary electricity consumption / Zużycie energii elektrycznej na potrzeby własne				fan assisted heat output / moc cieplna regulowana wentylatorem	[no]
At nominal heat output / Przy nominalnej mocy cieplnej	$eI_{max}$	0,000	kW	Type of heat output/room temperature control (select one) / Rodzaj mocy cieplnej/regulacja temperatury w pomieszczeniu (należy wybrać jedną opcję)	
At minimum heat output / Przy minimalnej mocy cieplnej	$eI_{min}$	0,000	kW	single stage heat output and no room temperature control / jednostopniowa moc cieplna bez regulacji temperatury w pomieszczeniu	[no]
In standby mode / W trybie czuwania	$eI_{sb}$	0,900	kW	two or more manual stages, no room temperature control / co najmniej dwa ręczne stopnie bez regulacji temperatury w pomieszczeniu	[no]
				with mechanic thermostat room temperature control / mechaniczna regulacja temperatury w pomieszczeniu za pomocą termostatu	[no]
				with electronic room temperature control / elektroniczna regulacja temperatury w pomieszczeniu	[yes]
				electronic room temperature control plus day timer / elektroniczna regulacja temperatury w pomieszczeniu ze sterownikiem dobowym	[no]
				electronic room temperature control plus week timer / elektroniczna regulacja temperatury w pomieszczeniu ze sterownikiem tygodniowym	[no]
				Other control options (multiple selections possible) / Inne opcje regulacji (można wybrać kilka)	
				room temperature control, with presence detection / regulacja temperatury w pomieszczeniu z wykrywaniem obecności	[no]
				room temperature control, with open window detection / regulacja temperatury w pomieszczeniu z wykrywaniem otwartego okna	[no]
				with distance control option / z regulacją na odległość	[no]
				with adaptive start control / z adaptacyjną regulacją startu	[no]
				with working time limitation / z ograniczeniem czasu pracy	[yes]
				with black bulb sensor / z czujnikiem ciepła promieniowania	[no]
Contact / Dane teleadresowe			Adler Sp. z o.o. ul. Ordona 2A, 01-237 Warszawa, Polska		

## GENERAL SAFETY CONDITIONS

## IMPORTANT SAFETY INSTRUCTIONS PLEASE READ CAREFULLY AND KEEP FOR FUTURE REFERENCE

1. Before using the device, read the operating instructions and follow the instructions contained therein. The manufacturer is not liable for any damage caused by using the device contrary to its intended use or improper operation.
2. The appliance is for home use only. Do not use for other purposes not in accordance with its intended use.
3. The device should be connected to 220-240V ~ 50 / 60Hz. In order to increase the safety of use, many electrical devices should not be connected to one electric circuit simultaneously.
4. Be especially careful when using the device when children are in the vicinity. Do not allow children to play with the device and do not let children or people unfamiliar with the device use it.
5. **WARNING:** This equipment may be used by children over 8 years of age and people with reduced physical, sensory or mental abilities, or people with no experience or knowledge of the equipment, if this is done under the supervision of a person responsible for their safety or has been provided to them instructions on the safe use of the device and are aware of the dangers associated with its use. Children should not play with the equipment. Cleaning and user maintenance should not be performed by children, unless they are over 8 years old and these activities are performed under supervision.
6. Always after use, remove the plug from the outlet by holding the outlet with your hand. **DO NOT** pull on the cord.
7. Do not immerse the cable, plug and the entire device in water or any other liquid. Do not expose the device to weather conditions (rain, sun, etc.) or use it in high humidity conditions (bathrooms, damp mobile homes).
8. Periodically check the condition of the power cord. If the power cord is damaged, it should be replaced by a specialist repair shop in order to avoid a hazard.
9. Do not use the appliance if the power cord is damaged or if it has been dropped or damaged in any way or if it is not working properly. Do not repair the device yourself as it may cause electric shock. Take the damaged device to an appropriate service center for inspection or repair. Any repairs may only be performed by authorized service points. Incorrectly performed repairs can pose a serious threat to the user.
10. Place the device on a cool, stable, even surface, away from heating appliances such as: electric stove, gas burner, etc.
11. Do not use the device near flammable materials.
12. For additional protection, it is advisable to install a residual current device (RCD) in the electrical circuit with a rated residual current not exceeding 30 mA. In this regard, please consult a specialist electrician.
13. When the device is used in the bathroom, remove the plug from the socket after use, as the proximity of water is a hazard even when the device is turned off.

14. Do not put your fingers or any objects or metal foreign objects inside the product, through the ventilation grille and other slots, otherwise it may cause electric shock or malfunction.
15. Do not put any objects on top of the device. Vents must not be covered by a towel, curtain, etc. It may damage the device or cause a fire.
16. The device heats up during operation, do not touch hot parts of the device. Do not touch the device with wet hands.
17. If the convector gets wet or any object falls through the convector ventilation grille, turn it off immediately and disconnect it from the mains. Before relaunching using the convector, contact the service.
18. Do not place the machine directly below an electrical socket.
19. Always switch the device off using the buttons before disconnecting it from the mains.
20. Do not use this device if it has been dropped.
21. Do not use if there are visible signs of damage to the device.
22. Use the heater on a level and stable surface or attach it to the wall, if provided for by the manufacturer.
23. All items should be at least 1 meter from the front and sides of the device.
24. Do not insert or allow foreign objects to enter the ventilation or exhaust vents as this may result in electric shock, fire or damage to the product.
25. A common cause of overheating is dust or lint inside the device. Make sure these deposits are removed regularly by unplugging the unit and vacuuming the vents and grilles, filters, if available.
26. Do not use this device in a window as rain may cause electric shock.
27. Do not connect the appliance to a power source until it has been installed in its final position and placed in the position for use.
28. It is not recommended to use an extension cord with this device.
29. Do not place the cord under carpets, rugs, mats, etc. Keep the cord away from places where it may trip over it.
30. Do not use this device with a programmer, timer or any other device that automatically turns on the heater as there is a risk of fire if the device is covered or placed incorrectly.
31. To avoid the danger of inadvertently resetting the thermal cutout, this appliance must not be powered by an external switching device, such as a clock, or connected to a circuit that is regularly turned on and off by the mains.
32. Do not get the device wet. If the device falls into water, disconnect the plug from the socket immediately. Do not put your hands into the water when the device is plugged in. Before re-use, it must be checked by an authorized service center.
33. The device should be switched off whenever you put it down.
34. Never turn on the device when the tank is not filled with water.
35. Use only clean, cool water.
36. Do not pour water into the tank above the maximum level.
37. Do not submerge the base of the device.

38. Do not add any chemicals to the tank, base or steam outlet. Do not add aromatic oils, salt, descaling tablets, powders or cleaning agents to the water.
  39. The filler cap / water tank cover should always be screwed on / closed at all times.
  40. Take care that the humidifier's water mist outlet does not point directly towards walls, furniture, electrical outlets, electrical and electronic devices, and children. Too much humidity in the room can lead to a build-up of moisture, causing the growth of bacteria and fungi and damaging walls, furniture and wallpaper.
  41. Do not block ventilation of the device. Keep a distance of at least 100 cm from the device. Do not block the water mist outlet with the humidifier function.
  42. Do not use the device where there is a risk of condensation. Moisture can form on the inside and outside of the appliance when:
    - the device is moved from a cold to a warm place,
    - the heating system has just been turned on,
    - the device is used in a room with high humidity,
    - the device is cooled by the air conditioning cooling system.
- When moisture condensation occurs in the device, it may not work properly or, in extreme cases, may be damaged. In this case, do not use the device and leave it to dry for several hours.
43. Do not tilt, fall over or try to refill or pour water from the device while it is working.
  44. Do not remove the reservoir from the base of the device while the humidifier function is operating.
  45. A filled water tank is heavy. When carrying it, keep it underneath as well.
  46. Do not use the device if there is a water leak.
  47. Do not leave water in the tank when the machine is not in use.
  48. Clean the humidifier after each use cycle of the device. Follow the cleaning instructions in this manual.
  49. Never allow sediment, moisture or water to remain in the tank (this can cause contamination or even damage the ultrasonic atomizer).
  50. During long-term operation of the device, water mist emitted by the humidifier may fall to the floor and cause moisture.

**WARNING:** Do not use this heater in small rooms where there are people who are unable to leave them by themselves, unless constant supervision is ensured.

**WARNING:** To reduce the risk of fire, keep textiles, curtains, or other flammable materials at least 1 m away from the heater air outlet.



"Caution hot surface" - The temperature of the accessible surfaces may be higher during operation, which means that the housing elements get hot during operation. CAUTION !!!



NOTE: To avoid overheating - do not cover the heater. Do not cover the device with clothes, blankets or other textiles that may cause ignition.



Do not use the device near water, e.g. in a shower, bathtub or over a washbasin with water.



## MONTAGE

The base (10) montage: Align the four fixing screw holes of the base (10) with the screw posts of the base (10), and screw with four self-tapping screws to put the product into use. Look at figure 2.

## PRODUCT DESCRIPTION (Figure 1)

- |                          |                        |
|--------------------------|------------------------|
| 1. Humidified air outlet | 2. Front display panel |
| 3. Air outlet            | 4. Housing             |
| 5. Air inlet             | 6. Back cover          |
| 7. Drain cover           | 8. Top panels          |
| 9. Drain plug            | 10. The base           |
| 11. Remote control       | 12. Power switch       |

## TOP PANEL & FRONT PANEL & REMOTE CONTROL MARKING – Figure 3

- |  |                                 |   |
|--|---------------------------------|---|
| A. Standby button                      | A1. Fan function indicator      |   |
| B. Timer button                        | B1. Timer indicator             | B2. Timer / Temperature / Cooling down count down indicator |
| C. Timer / Temperature increase button |                                 | D. Timer / Temperature decrease button                      |
| E. Heating level regulation button     | E1. Low heating level indicator | E2. High heating level indicator                            |
| F. Oscillation button                  | G. Humidifier function button   | G1. Humidifier indicator                                    |
| H. Temperature unit indicator          |                                 |   |

## USAGE

1. Power on: Place the device on a stable floor and insert the plug into socket. Turn on the power switch (12) on the back of the product. "1" means switched on, "0" means off. At this time, the device is in standby mode, the display shows ambient temperature (B2), and the temperature unit indicator (H) will light on.

2. Fan  
Press the button (A), the indicator (A1) will light up and the fan is operating (flow the air in room temperature).

### 3. Heating

Press the button (E) once for low-level heating ~ 1500W, the display lights up indicator (E1).

Press the button (E) twice for high-level heating 2200W, the display will light both indicators (E1 + E2).

Press the button (E) again to cancel the heating.

TIMER function: Press the button (B) repeatedly to set a period after which the device will turn itself off (between 1.0 hour – 12.0 hours, in steps of 60 minutes). At the same time timer indicator (B1) light display.

OSCILLATION function: Press button (F) to activate oscillation, the device will swing to the right and left to distribute the exhaust air evenly. Press again button (F) to cancel oscillation function.

## TEMPERATURE ADJUSTMENT

Adjust room temperature by pressing button (D) or (C). The default setting temperature is 25°C. Temperature range from 10-35°C. Press the button (D) to increase the desired temperature and press the button (C) to decrease the desired temperature. The device is intelligently programmed, it selects the working level between low or high heat according to the desired temperature and present ambient temperature.

## HUMIDIFICATION FUNCTION

At first pour the water to water tank (13) according to instruction described below. To pour the water to water tank (13), unplug the device at first. Next press down and pull outside the protrude part on the back cover (6) - look at figure 4. Take out the water tank (13) from the housing, unscrew the plug of water tank (13) counterclockwise, pour clean water (no essential oils added) and screw the plug tightly. Put the water tank (13) inside the housing. Set the cover properly on two latches places well and push it to close.

The humidifying function can be used normally. Plug in the device.

Press the button (G), the product turns on the humidification function, the humidification indicator (G1) lights up. Press the button (G) again to turn off the humidification function, at the same time the humidification indicator (G1) will be off. The humidification function can also be used separately when fan / heating function is switch off but power is on.

To drain the water out open the drain cover (7) pull the drain plug (9) and drain the reminding water to suitable tank.

When the device is not used for a long time, the water in the tank should be drained.

Applicable environment conditions for the device operation:

- heating function use temperature in range from -20°C to 25°C.

- humidifier function use in temperature in range from 5°C to 40°C and the relative humidity less than 80%.

To turn off the device press the button (A) again. Then, the fan will cool down the heating element inside the housing during 30 seconds, next the fan will automatic turn off. If the device is not set on heating function before, it will go directly to standby.

Lighting off of the front display panel (2): After the device is working for 10 minutes, it will automatically enter the light off screen mode, press

any key to light up the screen.

Remote control: Before using the remote control (11), take away the plastic foil piece on the right side of the remote control. Remote control operation is same as hand operation of top panel (8).

HOW TO CHANGE THE REMOTE CONTROLS BATTERY:

1. The battery cover can be opened with a coin or the like.
2. Install the button battery, pay attention to the battery polarity ("+" face up and "-" face down).
3. Cover the battery cover.

CLEANING AND MAINTENANCE

1. Make sure the device is not hot.
2. Before cleaning the device remove the plug from the electrical socket.
3. Keep the air inlet and outlet openings clean. Do not allow dust to collect on the openings.
4. Clean the housing using only dry or moist cloth.
5. Do not immerse the device in water!

TECHNICAL DATA:

Power: 2200W

Power supply: 220-240V~50Hz



To protect your environment: please separate carton boxes and plastic bags and dispose them in corresponding waste bins. Used appliance should be delivered to the dedicated collecting points due to hazardous components, which may affect the environment. Do not dispose this appliance in the common waste bin.

## DEUTSCH

### ALLGEMEINE SICHERHEITSBEDINGUNGEN

#### WICHTIGE SICHERHEITSHINWEISE BITTE SORGFÄLTIG DURCHLESEN UND FÜR ZUKÜNFTIGE VERWEISE AUFBEWAHREN

1. Lesen Sie vor der Verwendung des Geräts die Bedienungsanleitung und befolgen Sie die darin enthaltenen Anweisungen. Der Hersteller haftet nicht für Schäden, die durch die Verwendung des Geräts gegen den Verwendungszweck oder den unsachgemäßen Betrieb entstehen.
2. Das Gerät ist nur für den Heimgebrauch bestimmt. Nicht für andere Zwecke verwenden, die nicht dem Verwendungszweck entsprechen.
3. Das Gerät sollte an 220-240 V ~ 50/60 Hz angeschlossen werden. Um die Gebrauchssicherheit zu erhöhen, sollten viele elektrische Geräte nicht gleichzeitig an einen Stromkreis angeschlossen werden.
4. Seien Sie besonders vorsichtig, wenn Sie das Gerät verwenden, wenn sich Kinder in der Nähe befinden. Lassen Sie Kinder nicht mit dem Gerät spielen und lassen Sie Kinder oder Personen, die mit dem Gerät nicht vertraut sind, es nicht verwenden.
5. **WARNUNG:** Dieses Gerät darf von Kindern über 8 Jahren und Personen mit eingeschränkten körperlichen, sensorischen oder geistigen Fähigkeiten oder Personen ohne Erfahrung oder Kenntnis des Geräts verwendet werden, wenn dies unter Aufsicht einer verantwortlichen Person erfolgt ihre Sicherheit oder wurden ihnen Anweisungen zur sicheren Verwendung des Geräts gegeben und sind sich der mit seiner Verwendung verbundenen Gefahren bewusst. Kinder sollten nicht mit dem Gerät spielen. Reinigung und Wartung durch

den Benutzer sollten nicht von Kindern durchgeführt werden, es sei denn, sie sind älter als 8 Jahre und diese Aktivitäten werden unter Aufsicht durchgeführt.

6. Entfernen Sie nach dem Gebrauch immer den Stecker aus der Steckdose, indem Sie die Steckdose mit der Hand halten. NICHT an der Schnur ziehen.

7. Tauchen Sie das Kabel, den Stecker und das gesamte Gerät nicht in Wasser oder andere Flüssigkeiten. Setzen Sie das Gerät keinen Witterungsbedingungen (Regen, Sonne usw.) aus und verwenden Sie es nicht bei hoher Luftfeuchtigkeit (Badezimmer, feuchte Mobilheime).

8. Überprüfen Sie regelmäßig den Zustand des Netzkabels. Wenn das Netzkabel beschädigt ist, sollte es von einer Fachwerkstatt ausgetauscht werden, um eine Gefahr zu vermeiden.

9. Verwenden Sie das Gerät nicht, wenn das Netzkabel beschädigt ist oder wenn es heruntergefallen oder auf irgendeine Weise beschädigt wurde oder wenn es nicht ordnungsgemäß funktioniert. Reparieren Sie das Gerät nicht selbst, da dies einen elektrischen Schlag verursachen kann. Bringen Sie das beschädigte Gerät zur Inspektion oder Reparatur zu einem geeigneten Servicecenter. Reparaturen dürfen nur von autorisierten Servicestellen durchgeführt werden. Falsch durchgeführte Reparaturen können eine ernsthafte Bedrohung für den Benutzer darstellen.

10. Stellen Sie das Gerät auf eine kühle, stabile, ebene Oberfläche, fern von Heizgeräten wie Elektroherd, Gasbrenner usw.

11. Verwenden Sie das Gerät nicht in der Nähe von brennbaren Materialien.

12. Für zusätzlichen Schutz ist es ratsam, ein Fehlerstromschutzschalter (RCD) im Stromkreis mit einem Nennreststrom von nicht mehr als 30 mA zu installieren. Wenden Sie sich hierzu bitte an einen Elektriker.

13. Wenn das Gerät im Badezimmer verwendet wird, ziehen Sie nach dem Gebrauch den Stecker aus der Steckdose, da die Nähe zu Wasser auch bei ausgeschaltetem Gerät eine Gefahr darstellt.

14. Führen Sie Ihre Finger oder Gegenstände oder Fremdkörper aus Metall nicht durch das Lüftungsgitter und andere Schlitze in das Produkt, da dies zu Stromschlägen oder Fehlfunktionen führen kann.

15. Stellen Sie keine Gegenstände auf das Gerät. Lüftungsschlitze dürfen nicht sein abgedeckt durch ein Handtuch, einen Vorhang usw. Es kann das Gerät beschädigen oder einen Brand verursachen.

16. Das Gerät erwärmt sich während des Betriebs. Berühren Sie keine heißen Teile des Geräts. Berühren Sie das Gerät nicht mit nassen Händen.

17. Wenn der Konvektor nass wird oder ein Gegenstand durchfällt

Schalten Sie das Konvektor-Lüftungsgitter sofort aus und trennen Sie es vom Stromnetz. Vor dem Neustart

Wenden Sie sich mit dem Konvektor an den Kundendienst.

18. Stellen Sie die Maschine nicht direkt unter eine Steckdose.

19. Schalten Sie das Gerät immer mit den Tasten aus, bevor Sie es vom Stromnetz trennen.

20. Verwenden Sie dieses Gerät nicht, wenn es fallen gelassen wurde.

21. Nicht verwenden, wenn sichtbare Anzeichen einer Beschädigung des Geräts vorliegen.

22. Verwenden Sie das Heizgerät auf einer ebenen und stabilen Oberfläche oder befestigen Sie es an der Wand, sofern vom Hersteller vorgesehen.

23. Alle Gegenstände sollten mindestens 1 Meter von der Vorderseite und den Seiten des Geräts entfernt sein.

24. Setzen Sie keine Fremdkörper in die Lüftungs- oder Abluftöffnungen ein und lassen Sie diese nicht eindringen, da dies zu Stromschlägen, Bränden oder Schäden am Produkt führen kann.

25. Eine häufige Ursache für Überhitzung ist Staub oder Flusen im Gerät. Stellen Sie sicher, dass diese Ablagerungen regelmäßig entfernt werden, indem Sie den Stecker aus der Steckdose ziehen und die Lüftungsschlitze und Gitter sowie die Filter, falls verfügbar, absaugen.

26. Verwenden Sie dieses Gerät nicht in einem Fenster, da Regen einen elektrischen Schlag verursachen kann.

27. Schließen Sie das Gerät erst an eine Stromquelle an, wenn es in seiner endgültigen Position installiert und in der Position zur Verwendung platziert wurde.

28. Es wird nicht empfohlen, mit diesem Gerät ein Verlängerungskabel zu verwenden.

29. Legen Sie die Schnur nicht unter Teppiche, Teppiche usw. Halten Sie die Schnur von Stellen fern, an denen sie darüber stolpern könnte.

30. Verwenden Sie dieses Gerät nicht mit einem Programmierer, Timer oder einem anderen Gerät, das die Heizung automatisch einschaltet, da Brandgefahr besteht, wenn das Gerät abgedeckt oder falsch platziert wird.

31. Um die Gefahr eines versehentlichen Zurücksetzens der thermischen Abschaltung zu vermeiden, darf dieses Gerät nicht von einem externen Schaltgerät wie einer Uhr mit Strom versorgt oder an einen Stromkreis angeschlossen werden, der regelmäßig über das Stromnetz ein- und ausgeschaltet wird.

32. Machen Sie das Gerät nicht nass. Wenn das Gerät ins Wasser fällt, ziehen Sie sofort den Stecker aus der Steckdose. Legen Sie Ihre Hände nicht ins Wasser, wenn das Gerät angeschlossen ist. Vor der Wiederverwendung muss es von einem autorisierten Servicecenter überprüft werden.

33. Das Gerät sollte immer ausgeschaltet sein, wenn Sie es ablegen.

34. Schalten Sie das Gerät niemals ein, wenn der Tank nicht mit Wasser gefüllt ist.
  35. Verwenden Sie nur sauberes, kühles Wasser.
  36. Gießen Sie kein Wasser über dem Höchststand in den Tank.
  37. Tauchen Sie die Basis des Geräts nicht unter.
  38. Fügen Sie dem Tank, dem Boden oder dem Dampfauslass keine Chemikalien hinzu. Fügen Sie dem Wasser keine aromatischen Öle, Salz, Entkalkungstabletten, Pulver oder Reinigungsmittel hinzu.
  39. Der Einfülldeckel / Wassertankdeckel sollte immer aufgeschraubt / geschlossen sein.
  40. Achten Sie darauf, dass der Wassernebelauslass des Luftbefeuchters nicht direkt auf Wände, Möbel, Steckdosen, elektrische und elektronische Geräte sowie Kinder zeigt. Zu viel Feuchtigkeit im Raum kann zu Feuchtigkeitsansammlungen führen, die das Wachstum von Bakterien und Pilzen verursachen und Wände, Möbel und Tapeten beschädigen.
  41. Blockieren Sie nicht die Belüftung des Geräts. Halten Sie einen Abstand von mindestens 100 cm zum Gerät ein. Blockieren Sie den Wassernebelauslass nicht mit der Luftbefeuchterfunktion.
  42. Verwenden Sie das Gerät nicht, wenn die Gefahr der Kondensation besteht. An der Innen- und Außenseite des Geräts kann sich Feuchtigkeit bilden, wenn:
    - Das Gerät wird von einem kalten an einen warmen Ort gebracht.
    - Das Heizsystem wurde gerade eingeschaltet.
    - Das Gerät wird in einem Raum mit hoher Luftfeuchtigkeit verwendet.
    - Das Gerät wird von der Klimaanlage gekühlt.
- Wenn im Gerät Feuchtigkeitskondensation auftritt, funktioniert es möglicherweise nicht richtig oder kann im Extremfall beschädigt werden. Verwenden Sie das Gerät in diesem Fall nicht und lassen Sie es einige Stunden trocknen.
43. Kippen, fallen Sie nicht um und versuchen Sie nicht, Wasser aus dem Gerät nachzufüllen oder zu gießen, während es arbeitet.
  44. Entfernen Sie den Behälter nicht vom Boden des Geräts, während die Luftbefeuchterfunktion ausgeführt wird.
  45. Ein gefüllter Wassertank ist schwer. Bewahren Sie es beim Tragen auch darunter auf.
  46. Verwenden Sie das Gerät nicht, wenn es ein Leck Wasser ist.
  47. Lassen Sie kein Wasser im Tank, wenn die Maschine nicht benutzt wird.
  48. Reinigen Sie den Luftbefeuchter nach jedem Gebrauchszyklus des Geräts. Befolgen Sie die Reinigungsanweisungen in diesem Handbuch.

49. Lassen Sie niemals Sedimente, Feuchtigkeit oder Wasser im Tank verbleiben (dies kann zu Verunreinigungen führen oder sogar den Ultraschallzerstäuber beschädigen).

50. Während des Langzeitbetriebs des Geräts kann vom Luftbefeuchter abgegebener Wasserdampf auf den Boden fallen und Feuchtigkeit verursachen.

**WARNUNG:** Verwenden Sie dieses Heizgerät nicht in kleinen Räumen, in denen sich Personen nicht selbst verlassen können, es sei denn, eine ständige Überwachung ist gewährleistet.

**WARNUNG:** Um die Brandgefahr zu verringern, halten Sie Textilien, Vorhänge oder andere brennbare Materialien mindestens 1 m vom Luftauslass des Heizgeräts entfernt.



"Vorsicht heiße Oberfläche" - Die Temperatur der zugänglichen Oberflächen kann während des Betriebs höher sein, was bedeutet, dass die Gehäuseelemente während des Betriebs heiß werden. **VORSICHT !!!**



**HINWEIS:** Um eine Überhitzung zu vermeiden, decken Sie die Heizung nicht ab. Decken Sie das Gerät nicht mit Kleidung, Decken oder anderen Textilien ab, die eine Entzündung verursachen können.



Verwenden Sie das Gerät nicht in der Nähe von Wasser, z. B. in einer Dusche, Badewanne oder über einem Waschbecken mit Wasser.

## MONTAGE

Montage der Basis (10): Richten Sie die vier Befestigungsschraubenlöcher der Basis (10) an den Schraubpfosten der Basis (10) aus und schrauben Sie mit vier selbstschneidenden Schrauben, um das Produkt in Betrieb zu nehmen. Schauen Sie sich Abbildung 2 an.

## PRODUKTBESCHREIBUNG (Abbildung 1)

- |                             |                         |
|-----------------------------|-------------------------|
| 1. Befeuchteter Luftauslass | 2. Vorderes Anzeigefeld |
| 3. Luftauslass              | 4. Gehäuse              |
| 5. Lufteinlass              | 6. Rückdeckel           |
| 7. Drain Abdeckung          | 8. Top Paneele          |
| 9. Ablassschraube           | 10. Die Basis           |
| 11. Fernbedienung           | 12. Netzschalter        |

## TOP PANEL & FRONT PANEL & FERNBEDIENUNGSKENNZEICHNUNG - Abbildung 3

- |   |                                     |   |
|---|-------------------------------------|---|
| A. Standby-Taste                        | A1. Lüfterfunktionsanzeige          |   |
| B. Timer-Taste                          | B1. Timer-Anzeige                   | B2. Timer / Temperatur / Abkühlungs-Countdown-Anzeige |
| C. Taste für Timer / Temperaturerhöhung |                                     | D. Taste für Timer / Temperatursenkung                |
| E. Taste zur Regelung des Heizpegels    | E1. Anzeige für niedrigen Heizstand | E2. Hohe Heizstandsanzeige                            |
| F. Oszillationstaste                    | G. Befeuchterfunktionstaste         | G1. Luftbefeuchteranzeige                             |
| H. Temperatureinheitsanzeige            |                                     |   |

## VERWENDUNG

1. Einschalten: Stellen Sie das Gerät auf einen stabilen Boden und stecken Sie den Stecker in die Steckdose. Schalten Sie den Netzschalter (12) auf der Rückseite des Produkts ein. "I" bedeutet eingeschaltet, "O" bedeutet aus. Zu diesem Zeitpunkt befindet sich das Gerät im Standby-Modus, das Display zeigt die Umgebungstemperatur (B2) an und die Temperatureinheitsanzeige (H) leuchtet auf.

### 2. Lüfter

Drücken Sie die Taste (A), die Anzeige (A1) leuchtet auf und der Lüfter läuft (Luft bei Raumtemperatur strömen lassen).

### 3. Heizung

Drücken Sie die Taste (E) einmal, um eine niedrige Heizleistung von ~ 1500W zu erreichen. Die Anzeige leuchtet auf (E1).

Drücken Sie die Taste (E) zweimal, um eine hohe Heizleistung von 2200 W zu erzielen. Auf dem Display leuchten beide Anzeigen (E1 + E2).

Drücken Sie die Taste (E) erneut, um die Heizung abzubrechen.

**TIMER-Funktion:** Drücken Sie wiederholt die Taste (B), um einen Zeitraum festzulegen, nach dem sich das Gerät selbst ausschaltet (zwischen 1,0 Stunden und 12,0 Stunden in Schritten von 60 Minuten). Gleichzeitig leuchtet die Timer-Anzeige (B1) auf.

**OSCILLATION-Funktion:** Drücken Sie die Taste (F), um die Schwingung zu aktivieren. Das Gerät schwenkt nach rechts und links, um die Abluft gleichmäßig zu verteilen. Drücken Sie erneut die Taste (F), um die Oszillationsfunktion abzubrechen.

## TEMPERATURANPASSUNG

Stellen Sie die Raumtemperatur durch Drücken der Taste (D) oder (C) ein. Die Standardeinstellungstemperatur beträgt 25 ° C. Temperaturbereich von 10 bis 35 ° C. Drücken Sie die Taste (D), um die gewünschte Temperatur zu erhöhen, und drücken Sie die Taste (C), um die gewünschte Temperatur zu senken. Das Gerät ist intelligent programmiert und wählt je nach gewünschter Temperatur und aktueller Umgebungstemperatur das Arbeitsniveau zwischen niedriger oder hoher Hitze.

## FEUCHTIGKEITSFUNKTION

Gießen Sie zuerst das Wasser in den Wassertank (13) gemäß den unten beschriebenen Anweisungen. Um das Wasser in den Wassertank (13) zu gießen, ziehen Sie zuerst den Netzstecker aus der Steckdose. Als nächstes drücken Sie nach unten und ziehen Sie außerhalb des hervorstehenden Teils an der hinteren Abdeckung (6) - siehe Abbildung 4. Nehmen Sie den Wassertank (13) aus dem Gehäuse, schrauben Sie den Stopfen des Wassertanks (13) gegen den Uhrzeigersinn ab und gießen Sie sauberes Wasser (Nr ätherische Öle hinzugefügt) und schrauben Sie den Stopfen fest. Setzen Sie den Wassertank (13) in das Gehäuse ein. Setzen Sie die Abdeckung richtig auf zwei Verriegelungsstellen und drücken Sie sie zum Schließen.

Die Befeuchtungsfunktion kann normal verwendet werden. Stecken Sie das Gerät ein.

Drücken Sie die Taste (G), das Produkt schaltet die Befeuchtungsfunktion ein, die Befeuchtungsanzeige (G1) leuchtet auf. Drücken Sie die Taste (G) erneut, um die Befeuchtungsfunktion auszuschalten. Gleichzeitig erlischt die Befeuchtungsanzeige (G1). Die Befeuchtungsfunktion kann auch separat verwendet werden, wenn die Lüfter- / Heizfunktion ausgeschaltet, die Stromversorgung jedoch eingeschaltet ist.

Um das Wasser abzulassen, öffnen Sie die Abflussabdeckung (7), ziehen Sie die Ablassschraube (9) und lassen Sie das Erinnerungswasser in einen geeigneten Tank ab.

Wenn das Gerät längere Zeit nicht benutzt wird, sollte das Wasser im Tank abgelassen werden.

Anwendbare Umgebungsbedingungen für den Gerätebetrieb:

- Heizfunktion Gebrauchstemperatur im Bereich von -20 ° C bis 25 ° C .

- Verwendung der Luftbefeuchterfunktion bei Temperaturen im Bereich von 5 ° C bis 40 ° C und einer relativen Luftfeuchtigkeit von weniger als 80%.

Um das Gerät auszuschalten, drücken Sie erneut die Taste (A). Anschließend kühlt der Lüfter das Heizelement im Gehäuse 30 Sekunden lang ab. Anschließend schaltet sich der Lüfter automatisch aus. Wenn das Gerät zuvor nicht auf Heizfunktion eingestellt war, geht es direkt in den Standby-Modus.

Ausschalten des vorderen Anzeigefelds (2): Nachdem das Gerät 10 Minuten lang gearbeitet hat, wechselt es automatisch in den Modus zum Ausschalten des Bildschirms. Drücken Sie eine beliebige Taste, um den Bildschirm zu beleuchten.

Fernbedienung: Bevor Sie die Fernbedienung (11) verwenden, nehmen Sie das Plastikfolienteil auf der rechten Seite der Fernbedienung ab. Die Fernbedienung entspricht der Handbedienung des oberen Bedienfelds (8).

## SO ÄNDERN SIE DIE BATTERIE DER FERNBEDIENUNG:

1. Die Batterieabdeckung kann mit einer Münze oder dergleichen geöffnet werden.

2. Setzen Sie die Knopfzelle ein und achten Sie auf die Polarität der Batterie ("+" mit der Vorderseite nach oben und "-" mit der Vorderseite nach unten).

3. Decken Sie die Batterieabdeckung ab.

## REINIGUNG UND INSTANDHALTUNG

1. Stellen Sie sicher, dass das Gerät nicht heiß ist.
2. Ziehen Sie vor dem Reinigen des Geräts den Stecker aus der Steckdose.
3. Halten Sie die Lufteinlass- und -auslassöffnungen sauber. Lassen Sie keinen Staub auf den Öffnungen sammeln.
4. Reinigen Sie das Gehäuse nur mit einem trockenen oder feuchten Tuch.
5. Tauchen Sie das Gerät nicht in Wasser!

## TECHNISCHE DATEN:

Leistung: 2200W

Stromversorgung: 220-240 V ~ 50 Hz



Den Pappkarton im Altpapier entsorgen. Polyäthylenbeutel (PE) in dem Behälter für Kunststoff entsorgen. Das abgenutzte Gerät zum Recycling zu einer offiziellen Sammelstelle bringen, da es gefährliche Substanzen enthält, die die Umwelt gefährden können. Das Gerät sollte in einer Form abgegeben werden, die eine weitere Nutzung unmöglich macht. Wenn es Batterien enthält, sollten diese rausgenommen und separat an einer Sammelstelle abgegeben werden. Das Gerät darf nicht in den Hausmüll rausgeworfen werden!!

## FRANÇAIS

### CONDITIONS GENERALES DE SECURITE CONSIGNES DE SÉCURITÉ IMPORTANTES VEUILLEZ LIRE ATTENTIVEMENT ET CONSERVER POUR RÉFÉRENCE FUTURE

1. Avant d'utiliser l'appareil, lisez le mode d'emploi et suivez les instructions qu'il contient. Le fabricant n'est pas responsable des dommages causés par l'utilisation de l'appareil contrairement à son utilisation prévue ou à un fonctionnement incorrect.
2. L'appareil est destiné à un usage domestique uniquement. Ne l'utilisez pas à d'autres fins non conformes à son utilisation prévue.
3. L'appareil doit être connecté à 220-240V ~ 50 / 60Hz. Afin d'augmenter la sécurité d'utilisation, de nombreux appareils électriques ne doivent pas être connectés simultanément à un circuit électrique.
4. Soyez particulièrement prudent lorsque vous utilisez l'appareil lorsque des enfants se trouvent à proximité. Ne laissez pas les enfants jouer avec l'appareil et ne laissez pas les enfants ou les personnes ne connaissant pas l'appareil l'utiliser.
5. AVERTISSEMENT: cet équipement peut être utilisé par des enfants de plus de 8 ans et des personnes ayant des capacités physiques, sensorielles ou mentales réduites, ou des personnes sans expérience ou connaissance de l'équipement, si cela est fait sous la supervision d'une personne responsable de leur sécurité ou leur a été fourni des instructions sur l'utilisation en toute sécurité de l'appareil et sont conscients des dangers liés à son utilisation. Les enfants ne doivent pas jouer avec l'équipement. Le nettoyage et l'entretien par l'utilisateur ne doivent pas être effectués par des enfants, à moins qu'ils n'aient plus de 8 ans et que ces activités soient effectuées sous surveillance.
6. Toujours après utilisation, retirez la fiche de la prise en tenant la prise avec votre main. NE tirez PAS sur le cordon.
7. Ne plongez pas le câble, la fiche et l'ensemble de l'appareil dans l'eau ou tout autre liquide. N'exposez pas l'appareil aux intempéries (pluie, soleil, etc.) et ne l'utilisez pas dans des conditions d'humidité élevée (salles de bain, mobile homes humides).
8. Vérifiez régulièrement l'état du cordon d'alimentation. Si le cordon d'alimentation est endommagé, il doit être remplacé par un atelier de réparation spécialisé afin d'éviter tout danger.
9. N'utilisez pas l'appareil si le cordon d'alimentation est endommagé ou s'il est tombé ou endommagé de quelque manière que ce soit ou s'il ne fonctionne pas correctement. Ne



réparez pas l'appareil vous-même car cela pourrait provoquer un choc électrique. Apportez l'appareil endommagé à un centre de service approprié pour inspection ou réparation. Les réparations ne peuvent être effectuées que par des points de service autorisés. Des réparations mal effectuées peuvent constituer une menace sérieuse pour l'utilisateur.

10. Placez l'appareil sur une surface fraîche, stable et plane, à l'écart des appareils de chauffage tels que: cuisinière électrique, brûleur à gaz, etc.

11. N'utilisez pas l'appareil à proximité de matériaux inflammables.

12. Pour une protection supplémentaire, il est conseillé d'installer un disjoncteur différentiel (RCD) dans le circuit électrique avec un courant résiduel nominal ne dépassant pas 30 mA. À cet égard, veuillez consulter un électricien spécialisé.

13. Lorsque l'appareil est utilisé dans la salle de bain, retirez la fiche de la prise après utilisation, car la proximité de l'eau est un danger même lorsque l'appareil est éteint.

14. Ne mettez pas vos doigts ou tout objet ou corps étranger métallique à l'intérieur du produit, à travers la grille de ventilation et d'autres fentes, sinon cela pourrait provoquer un choc électrique ou un dysfonctionnement.

15. Ne posez aucun objet sur le dessus de l'appareil. Les événements ne doivent pas couvrir par une serviette, un rideau, etc. Cela peut endommager l'appareil ou provoquer un incendie.

16. L'appareil chauffe pendant son fonctionnement, ne touchez pas les parties chaudes de l'appareil. Ne touchez pas l'appareil avec les mains mouillées.

17. Si le convecteur est mouillé ou si un objet tombe à travers

la grille de ventilation du convecteur, éteignez-la immédiatement et débranchez-la du secteur. Avant de relancer

à l'aide du convecteur, contactez le service.

18. Ne placez pas la machine directement sous une prise électrique.

19. Éteignez toujours l'appareil à l'aide des touches avant de le débrancher du secteur.

20. N'utilisez pas cet appareil s'il est tombé.

21. Ne pas utiliser s'il y a des signes visibles d'endommagement de l'appareil.

22. Utilisez le radiateur sur une surface plane et stable ou fixez-le au mur, si prévu par le fabricant.

23. Tous les éléments doivent être à au moins 1 mètre de l'avant et des côtés de l'appareil.

24. N'insérez pas et ne laissez pas d'objets étrangers pénétrer dans les orifices de ventilation ou d'évacuation car cela pourrait provoquer un choc électrique, un incendie ou endommager le produit.

25. Une cause fréquente de surchauffe est la poussière ou les peluches à l'intérieur de l'appareil. Assurez-vous que ces dépôts sont régulièrement éliminés en débranchant l'unité et en aspirant les événements et les grilles, les filtres, si disponibles.

26. N'utilisez pas cet appareil dans une fenêtre car la pluie peut provoquer un choc électrique.

27. Ne branchez pas l'appareil à une source d'alimentation tant qu'il n'a pas été installé dans sa position finale et mis en position d'utilisation.

28. Il n'est pas recommandé d'utiliser une rallonge avec cet appareil.

29. Ne placez pas le cordon sous des tapis, tapis, moquettes, etc. Tenez le cordon éloigné des endroits où il pourrait trébucher dessus.

30. N'utilisez pas cet appareil avec un programmeur, une minuterie ou tout autre appareil qui allume automatiquement le radiateur car il y a un risque d'incendie si l'appareil est

couvert ou mal placé.

31. Pour éviter le risque de réinitialisation par inadvertance du coupe-circuit thermique, cet appareil ne doit pas être alimenté par un appareil de commutation externe, tel qu'une horloge, ou connecté à un circuit régulièrement allumé et éteint par le secteur.

32. Ne mouillez pas l'appareil. Si l'appareil tombe dans l'eau, débranchez immédiatement la fiche de la prise. Ne mettez pas vos mains dans l'eau lorsque l'appareil est branché. Avant de le réutiliser, il doit être vérifié par un centre de service agréé.

33. L'appareil doit être éteint chaque fois que vous le déposez.

34. N'allumez jamais l'appareil lorsque le réservoir n'est pas rempli d'eau.

35. Utilisez uniquement de l'eau propre et fraîche.

36. Ne versez pas d'eau dans le réservoir au-dessus du niveau maximum.

37. N'immergez pas la base de l'appareil.

38. N'ajoutez aucun produit chimique dans le réservoir, la base ou la sortie de vapeur. N'ajoutez pas d'huiles aromatiques, de sel, de pastilles de détartrage, de poudres ou de produits de nettoyage à l'eau.

39. Le bouchon de remplissage / couvercle du réservoir d'eau doit toujours être vissé / fermé à tout moment.

40. Veillez à ce que la sortie de brouillard d'eau de l'humidificateur ne pointe pas directement vers les murs, les meubles, les prises électriques, les appareils électriques et électroniques et les enfants. Trop d'humidité dans la pièce peut entraîner une accumulation d'humidité, provoquant la croissance de bactéries et de champignons et endommageant les murs, les meubles et le papier peint.

41. Ne bloquez pas la ventilation de l'appareil. Gardez une distance d'au moins 100 cm de l'appareil. Ne bloquez pas la sortie du brouillard d'eau avec la fonction humidificateur.

42. N'utilisez pas l'appareil là où il y a un risque de condensation. De l'humidité peut se former à l'intérieur et à l'extérieur de l'appareil lorsque:

- l'appareil est déplacé d'un endroit froid à un endroit chaud,

- le système de chauffage vient d'être mis en marche,

- l'appareil est utilisé dans une pièce à forte humidité,

- l'appareil est refroidi par le système de refroidissement de la climatisation.

Lorsque de la condensation d'humidité se produit dans l'appareil, il peut ne pas fonctionner correctement ou, dans des cas extrêmes, être endommagé. Dans ce cas, n'utilisez pas l'appareil et laissez-le sécher pendant plusieurs heures.

43. N'inclinez pas, ne tombez pas et n'essayez pas de remplir ou de verser de l'eau de l'appareil pendant qu'il fonctionne.

44. Ne retirez pas le réservoir de la base de l'appareil lorsque la fonction humidificateur est en cours de fonctionnement.

45. Un réservoir d'eau rempli est lourd. Lorsque vous le transportez, gardez-le également en dessous.

46. Ne pas utiliser l'appareil s'il y a une fuite d'eau.

47. Ne laissez pas d'eau dans le réservoir lorsque la machine n'est pas utilisée.

48. Nettoyez l'humidificateur après chaque cycle d'utilisation de l'appareil. Suivez les instructions de nettoyage de ce manuel.

49. Ne laissez jamais de sédiments, d'humidité ou d'eau dans le réservoir (cela peut provoquer une contamination ou même endommager l'atomiseur à ultrasons).

50. Pendant le fonctionnement à long terme de l'appareil, le brouillard d'eau émis par l'humidificateur peut tomber sur le sol et provoquer de l'humidité.

**AVERTISSEMENT:** n'utilisez pas cet appareil de chauffage dans de petites pièces où il y a des personnes qui ne peuvent pas les laisser seules, à moins qu'une surveillance constante ne soit assurée.

**AVERTISSEMENT:** pour réduire les risques d'incendie, maintenez les textiles, les rideaux ou autres matériaux inflammables à au moins 1 m de la sortie d'air du radiateur.



"Attention surface chaude" - La température des surfaces accessibles peut être plus élevée pendant le fonctionnement, ce qui signifie que les éléments du boîtier deviennent chauds pendant le fonctionnement pendant le fonctionnement. MISE EN GARDE !!!



**REMARQUE:** pour éviter la surchauffe, ne couvrez pas le radiateur. Ne couvrez pas l'appareil avec des vêtements, des couvertures ou d'autres textiles susceptibles de provoquer une inflammation.



N'utilisez pas l'appareil à proximité de l'eau, par exemple dans une douche, une baignoire ou au-dessus d'un lavabo avec de l'eau.

## MONTAGE

Montage de la base (10): Alignez les quatre trous de vis de fixation de la base (10) avec les montants de vis de la base (10), et vissez avec quatre vis autotaraudeuses pour mettre le produit en service. Regardez la figure 2.

## DESCRIPTION DU PRODUIT (Figure 1)

- |                           |                                 |
|---------------------------|---------------------------------|
| 1. sortie d'air humidifié | 2. panneau d'affichage avant    |
| 3. sortie d' air          | 4. logement                     |
| 5. entrée d' air          | 6. couvercle arrière            |
| 7. couvercle de vidange   | 8. panneaux supérieurs          |
| 9. Bouchon de vidange     | 10. La base                     |
| 11. Commande à distance   | 12. Interrupteur d'alimentation |

## MARQUAGE DU PANNEAU SUPÉRIEUR ET DU PANNEAU AVANT ET DE LA TÉLÉCOMMANDE - Figure 3

- |  |   |
|--|---|
| A. Bouton de veille  | A1. Indicateur de fonction du ventilateur |
| Bouton de la minuterie   | B1. indicateur de la minuterie            |
| B2. indicateur de la minuterie / température / refroidissement |   |
| C. Touche de la minuterie                                      | D. d'augmentation de la température       |
| E. Bouton de réglage du niveau de chauffage                    | E1. Indicateur de niveau de chauffage bas |
| E2. Indicateur de niveau de chauffage élevé                    | F. Bouton d'oscillation                   |
| G. Bouton de fonction de l'humidificateur                      | G1. Indicateur d'humidificateur           |
| H. Indicateur d'unité de température                           |   |

## USAGE

1. Mise sous tension: placez l'appareil sur un sol stable et insérez la fiche dans la prise. Allumez l'interrupteur d'alimentation (12) à l'arrière du produit. «I» signifie allumé, «0» signifie éteint. À ce moment, l'appareil est en mode veille, l'écran affiche la température ambiante (B2) et l'indicateur d'unité de température (H) s'allume.

### 2. Ventilateur

Appuyez sur le bouton (A), le voyant (A1) s'allume et le ventilateur fonctionne (faire circuler l'air à température ambiante).

### 3. Chauffage

Appuyez une fois sur le bouton (E) pour un chauffage à bas niveau ~ 1500W, l'affichage s'allume en voyant (E1).

Appuyez deux fois sur le bouton (E) pour un chauffage à haut niveau de 2200W, l'écran allumera les deux voyants (E1 + E2).

Appuyez à nouveau sur le bouton (E) pour annuler le chauffage.

Fonction TIMER: Appuyez plusieurs fois sur le bouton (B) pour définir une période après laquelle l'appareil s'éteindra (entre 1,0 heure et 12,0 heures, par incréments de 60 minutes). En même temps, l'indicateur de minuterie (B1) s'allume.

Fonction OSCILLATION: Appuyez sur le bouton (F) pour activer l'oscillation, l'appareil se balancera vers la droite et vers la gauche pour répartir uniformément l'air d'échappement. Appuyez à nouveau sur le bouton (F) pour annuler la fonction d'oscillation.

## RÉGLAGE DE LA TEMPÉRATURE

Réglez la température ambiante en appuyant sur le bouton (D) ou (C). La température de réglage par défaut est de 25 ° C. Plage de température de 10 à 35 ° C . Appuyez sur le bouton (D) pour augmenter la température désirée et appuyez sur le bouton (C) pour diminuer la température désirée. L'appareil est programmé intelligemment, il sélectionne le niveau de fonctionnement entre chaleur basse ou haute en fonction de la température souhaitée et de la température ambiante actuelle.

## FONCTION D'HUMIDIFICATION

Versez d'abord l'eau dans le réservoir d'eau (13) selon les instructions décrites ci-dessous. Pour verser l'eau dans le réservoir d'eau (13), débranchez d'abord l'appareil. Appuyez ensuite vers le bas et tirez à l'extérieur de la partie saillante du couvercle arrière (6) - regardez la figure 4. Retirez le réservoir d'eau (13) du boîtier, dévissez le bouchon du réservoir d'eau (13) dans le sens antihoraire, versez de l'eau propre (non huiles essentielles ajoutées) et visser fermement le bouchon. Placez le réservoir d'eau (13) à l'intérieur du

boîtier. Réglez correctement le couvercle sur deux loquets et poussez-le pour le fermer.

La fonction d'humidification peut être utilisée normalement. Branchez l'appareil.

Appuyez sur le bouton (G), le produit active la fonction d'humidification, l'indicateur d'humidification (G1) s'allume. Appuyez à nouveau sur le bouton (G) pour désactiver la fonction d'humidification, en même temps l'indicateur d'humidification (G1) s'éteint. La fonction d'humidification peut également être utilisée séparément lorsque la fonction de ventilation / chauffage est désactivée mais que l'alimentation est activée.

Pour vidanger l'eau, ouvrez le couvercle de vidange (7), tirez le bouchon de vidange (9) et vidangez l'eau de rappel dans un réservoir approprié.

Lorsque l'appareil n'est pas utilisé pendant une longue période, l'eau du réservoir doit être vidangée.

Conditions d'environnement applicables pour le fonctionnement de l'appareil:

- Fonction chauffage température d'utilisation dans la plage de  $-20^{\circ}\text{C}$  à  $25^{\circ}\text{C}$ .

- utilisation de la fonction humidificateur à des températures comprises entre  $5^{\circ}\text{C}$  et  $40^{\circ}\text{C}$  et à une humidité relative inférieure à 80%.

Pour éteindre l'appareil, appuyez à nouveau sur le bouton (A). Ensuite, le ventilateur refroidira l'élément chauffant à l'intérieur du boîtier pendant 30 secondes, puis le ventilateur s'éteindra automatiquement. Si l'appareil n'est pas réglé sur la fonction de chauffage auparavant, il se mettra directement en veille.

Éclairage éteint du panneau d'affichage avant (2): Une fois que l'appareil fonctionne pendant 10 minutes, il entrera automatiquement en mode d'éclairage éteint, appuyez sur n'importe quelle touche pour éclairer l'écran.

Télécommande: avant d'utiliser la télécommande (11), retirez la pièce en plastique sur le côté droit de la télécommande. Le fonctionnement de la télécommande est identique au fonctionnement manuel du panneau supérieur (8).

COMMENT CHANGER LA BATTERIE DE LA TÉLÉCOMMANDE LS:

1. Le couvercle de la batterie peut être ouvert avec une pièce de monnaie ou autre.
2. Installez la pile bouton, faites attention à la polarité de la pile («+» face vers le haut et «-» face vers le bas).
3. Couvrez le couvercle de la batterie.

NETTOYAGE ET ENTRETIEN

1. Assurez-vous que l'appareil n'est pas chaud.
2. Avant de nettoyer l'appareil, retirez la fiche de la prise électrique.
3. Gardez les ouvertures d'entrée et de sortie d'air propres. Ne laissez pas la poussière s'accumuler sur les ouvertures.
4. Nettoyez le boîtier en utilisant uniquement un chiffon sec ou humide.
5. Ne plongez pas l'appareil dans l'eau!

DONNÉES TECHNIQUES:

Puissance: 2200 W

Alimentation: 220-240V ~ 50Hz



Respect de l'environnement. Nous vous prions de bien vouloir trier les emballages en carton ainsi que les sachets plastiques (en polyéthylène). L'appareil usagé ne doit pas être jeté à la poubelle mais remis au point de collecte prévu à cet effet car il contient des éléments pouvant être nocifs pour l'environnement. L'appareil électrique doit être remis de manière à limiter au maximum une éventuelle utilisation ultérieure. Si l'appareil contient des piles, il faut les retirer et les remettre à un autre point de collecte.

Ne pas jeter l'appareil dans une poubelle de déchets ménagers !!!

## ESPAÑOL

### CONDICIONES GENERALES DE SEGURIDAD INSTRUCCIONES DE SEGURIDAD IMPORTANTES LEA DETENIDAMENTE Y GUARDE PARA FUTURAS CONSULTAS

1. Antes de utilizar el dispositivo, lea las instrucciones de funcionamiento y siga las instrucciones contenidas en ellas. El fabricante no se hace responsable de los daños causados por el uso del dispositivo en contra de su uso previsto o por un funcionamiento inadecuado.
2. El aparato es solo para uso doméstico. No lo utilice para otros fines que no estén de acuerdo con el uso previsto.
3. El dispositivo debe estar conectado a 220-240V ~ 50 / 60Hz. Para aumentar la seguridad de uso, muchos dispositivos eléctricos no deben conectarse a un circuito eléctrico simultáneamente.
4. Tenga especial cuidado cuando utilice el dispositivo cuando haya niños cerca. No permita que los niños jueguen con el dispositivo y no permita que los niños o personas no familiarizadas con el dispositivo lo usen.
5. **ADVERTENCIA:** Este equipo puede ser utilizado por niños mayores de 8 años y personas con capacidades físicas, sensoriales o mentales reducidas, o personas sin

experiencia o conocimiento del equipo, si esto se hace bajo la supervisión de una persona responsable de su seguridad o se les ha proporcionado instrucciones sobre el uso seguro del dispositivo y son conscientes de los peligros asociados con su uso. Los niños no deben jugar con el equipo. La limpieza y el mantenimiento del usuario no deben ser realizados por niños, a menos que sean mayores de 8 años y estas actividades se realicen bajo supervisión.

6. Siempre después de su uso, retire el enchufe del tomacorriente sosteniendo el tomacorriente con la mano. NO tire del cable.

7. No sumerja el cable, el enchufe y todo el dispositivo en agua o cualquier otro líquido. No exponga el dispositivo a condiciones climáticas (lluvia, sol, etc.) ni lo use en condiciones de alta humedad (baños, casas móviles húmedas).

8. Compruebe periódicamente el estado del cable de alimentación. Si el cable de alimentación está dañado, debe ser reemplazado por un taller de reparación especializado para evitar peligros.

9. No utilice el aparato si el cable de alimentación está dañado o si se ha caído o dañado de alguna manera o si no funciona correctamente. No repare el dispositivo usted mismo, ya que puede provocar una descarga eléctrica. Lleve el dispositivo dañado a un centro de servicio apropiado para su inspección o reparación. Las reparaciones solo pueden ser realizadas por puntos de servicio autorizados. Las reparaciones realizadas incorrectamente pueden representar una seria amenaza para el usuario.

10. Coloque el dispositivo sobre una superficie fresca, estable y uniforme, lejos de aparatos de calefacción como: estufa eléctrica, quemador de gas, etc.

11. No utilice el dispositivo cerca de materiales inflamables.

12. Para protección adicional, es recomendable instalar un dispositivo de corriente residual (RCD) en el circuito eléctrico con una corriente residual nominal que no exceda los 30 mA. A este respecto, consulte a un electricista especializado.

13. Cuando el dispositivo se utilice en el baño, retire el enchufe de la toma de corriente después de su uso, ya que la proximidad del agua es un peligro incluso cuando el dispositivo está apagado.

14. No introduzca los dedos ni ningún objeto u objetos metálicos extraños dentro del producto, a través de la rejilla de ventilación y otras ranuras, de lo contrario, podría provocar una descarga eléctrica o un mal funcionamiento.

15. No coloque ningún objeto encima del dispositivo. Los respiraderos no deben ser cubierto por una toalla, cortina, etc. Puede dañar el dispositivo o provocar un incendio.

16. El dispositivo se calienta durante el funcionamiento, no toque las partes calientes del dispositivo. No toque el dispositivo con las manos mojadas.

17. Si el convector se moja o se cae algún objeto rejilla de ventilación del convector, apáguela inmediatamente y desconéctela de la red. Antes de relanzar

utilizando el convector, póngase en contacto con el servicio.

18. No coloque la máquina directamente debajo de una toma de corriente.

19. Apague siempre el dispositivo con los botones antes de desconectarlo de la red.

20. No utilice este dispositivo si se ha caído.

21. No lo use si hay signos visibles de daño en el dispositivo.

22. Use el calentador en una superficie nivelada y estable o fíjelo a la pared, si así lo indica el fabricante.

23. Todos los elementos deben estar al menos a 1 metro de la parte frontal y los lados del dispositivo.

24. No inserte ni permita que objetos extraños entren en la ventilación o las rejillas de ventilación, ya que esto puede provocar una descarga eléctrica, un incendio o daños al producto.

25. Una causa común de sobrecalentamiento es el polvo o la pelusa dentro del dispositivo.

- Asegúrese de que estos depósitos se eliminen con regularidad desenchufando la unidad y aspirando las rejillas de ventilación, las rejillas y los filtros, si están disponibles.
26. No utilice este dispositivo en una ventana, ya que la lluvia puede provocar una descarga eléctrica.
  27. No conecte el aparato a una fuente de alimentación hasta que haya sido instalado en su posición final y colocado en la posición para su uso.
  28. No se recomienda utilizar un cable de extensión con este dispositivo.
  29. No coloque el cable debajo de alfombras, tapetes, tapetes, etc. Mantenga el cable alejado de lugares donde pueda tropezarse con él.
  30. No utilice este dispositivo con un programador, temporizador o cualquier otro dispositivo que encienda automáticamente el calentador, ya que existe riesgo de incendio si el dispositivo se tapa o se coloca incorrectamente.
  31. Para evitar el peligro de restablecer inadvertidamente el interruptor térmico, este aparato no debe ser alimentado por un dispositivo de conmutación externo, como un reloj, o conectado a un circuito que se enciende y apaga regularmente por la red eléctrica.
  32. No moje el dispositivo. Si el dispositivo cae al agua, desconecte el enchufe de la toma inmediatamente. No meta las manos en el agua cuando el dispositivo esté enchufado. Antes de volver a usarlo, debe ser revisado por un centro de servicio autorizado.
  33. El dispositivo debe estar apagado cada vez que lo deje.
  34. Nunca encienda el dispositivo cuando el tanque no esté lleno de agua.
  35. Utilice solo agua limpia y fría.
  36. No vierta agua en el tanque por encima del nivel máximo.
  37. No sumerja la base del dispositivo.
  38. No agregue ningún producto químico al tanque, la base o la salida de vapor. No agregue aceites aromáticos, sal, tabletas descalcificadores, polvos o agentes de limpieza al agua.
  39. El tapón de llenado / la tapa del tanque de agua siempre debe estar atornillado / cerrado en todo momento.
  40. Tenga cuidado de que la salida de agua nebulizada del humidificador no apunte directamente hacia paredes, muebles, enchufes eléctricos, dispositivos eléctricos y electrónicos y niños. Demasiada humedad en la habitación puede provocar una acumulación de humedad, lo que provocará el crecimiento de bacterias y hongos y dañará las paredes, los muebles y el papel tapiz.
  41. No bloquee la ventilación del dispositivo. Mantenga una distancia de al menos 100 cm del dispositivo. No bloquee la salida de agua nebulizada con la función humidificador.
  42. No utilice el dispositivo donde exista riesgo de condensación. Se puede formar humedad en el interior y el exterior del aparato cuando:
    - el dispositivo se traslada de un lugar frío a uno cálido,
    - el sistema de calefacción se acaba de encender,
    - el dispositivo se utiliza en una habitación con mucha humedad,
    - el dispositivo se enfría mediante el sistema de refrigeración del aire acondicionado. Cuando se produce condensación de humedad en el dispositivo, es posible que no funcione correctamente o, en casos extremos, se puede dañar. En este caso, no utilice el dispositivo y déjelo secar durante varias horas.
  43. No incline, caiga ni intente rellenar o verter agua del dispositivo mientras está funcionando.
  44. No retire el depósito de la base del dispositivo mientras esté funcionando la función de humidificación.
  45. Un tanque de agua lleno es pesado. Cuando lo lleve, guárdelo debajo también.
  46. No utilice el dispositivo si hay una fuga de agua.
  47. No deje agua en el tanque cuando la máquina no esté en uso.
  48. Limpie el humidificador después de cada ciclo de uso del dispositivo. Siga las instrucciones de limpieza de este manual.

49. Nunca deje sedimentos, humedad o agua en el tanque (esto puede causar contaminación o incluso dañar el atomizador ultrasónico).

50. Durante el funcionamiento prolongado del dispositivo, la neblina de agua emitida por el humidificador puede caer al suelo y provocar humedad.

**ADVERTENCIA:** No utilice este calentador en habitaciones pequeñas donde haya personas que no puedan dejarlas solas, a menos que se garantice una supervisión constante.

**ADVERTENCIA:** Para reducir el riesgo de incendio, mantenga los textiles, cortinas u otros materiales inflamables al menos a 1 m de distancia de la salida de aire del calentador.



"Precaución superficie caliente" - La temperatura de las superficies accesibles puede ser más alta durante el funcionamiento, lo que significa que los elementos de la carcasa se calientan durante el funcionamiento durante el funcionamiento.  
**PRECAUCIÓN !!!**



**NOTA:** Para evitar el sobrecalentamiento, no cubra el calentador. No cubra el dispositivo con ropa, mantas u otros textiles que puedan causar ignición.



No utilice el dispositivo cerca del agua, p. Ej. en una ducha, bañera o sobre un lavabo con agua.

## MONTAJE

Montaje de la base (10): Alinee los cuatro orificios para tornillos de fijación de la base (10) con los postes para tornillos de la base (10) y atornillelos con cuatro tornillos autorroscantes para poner el producto en funcionamiento. Mira la figura 2.

## DESCRIPCIÓN DEL PRODUCTO (Figura 1)

- |                                |                                   |
|--------------------------------|-----------------------------------|
| 1. Salida de aire humidificado | 2. Panel de visualización frontal |
| 3. Salida de aire              | 4. Vivienda                       |
| 5. Entrada de aire             | 6. Cubierta trasera               |
| 7. Cubierta de drenaje         | 8. Paneles superiores             |
| 9. Tapón de drenaje            | 10. La base                       |
| 11. Control remoto             | 12. Interruptor de encendido      |

## MARCADO DEL PANEL SUPERIOR, DELANTERO Y DEL CONTROL REMOTO - Figura 3

- A. Botón de espera  
A1. Indicador de función de ventilador  
B. Botón de temporizador  
B1. Indicador de temporizador  
B2. Timer / temperatura / indicador de cuenta regresiva de enfriamiento  
C. Botón de aumento de temperatura / temporizador  
D. Botón de disminución del temporizador / temperatura  
E. Botón de regulación del nivel de calefacción  
E1. Indicador de nivel de calentamiento bajo  
E2. Indicador de nivel de calentamiento alto  
F. Botón de oscilación  
G. Botón de función del humidificador  
G1. Indicador de humidificador  
H. Indicador de unidad de temperatura

## USO

1. Encendido: coloque el dispositivo en un suelo estable e inserte el enchufe en el enchufe. Encienda el interruptor de encendido (12) en la parte posterior del producto. "I" significa encendido, "O" significa apagado. En este momento, el dispositivo está en modo de espera, la pantalla muestra la temperatura ambiente (B2) y el indicador de la unidad de temperatura (H) se encenderá.

### 2. Ventilador

Presione el botón (A), el indicador (A1) se iluminará y el ventilador estará funcionando (fluya el aire a temperatura ambiente).

### 3. Calefacción

Presione el botón (E) una vez para calefacción de bajo nivel ~ 1500W, la pantalla se ilumina indicador (E1).

Presione el botón (E) dos veces para calefacción de alto nivel 2200W, la pantalla iluminará ambos indicadores (E1 + E2).

Presione nuevamente el botón (E) para cancelar el calentamiento.

**Función TEMPORIZADOR:** Presione el botón (B) repetidamente para establecer un período después del cual el dispositivo se apagará solo (entre 1.0 hora - 12.0 horas, en pasos de 60 minutos). Al mismo tiempo, se enciende el indicador del temporizador (B1).

**Función OSCILACIÓN:** Presione el botón (F) para activar la oscilación, el dispositivo girará hacia la derecha y hacia la izquierda para distribuir el aire de escape de manera uniforme. Presione nuevamente el botón (F) para cancelar la función de oscilación.

## AJUSTE DE TEMPERATURA

Ajuste la temperatura ambiente presionando el botón (D) o (C). La temperatura de ajuste predeterminada es 25 ° C. Rango de temperatura de 10 a 35 ° C. Presione el botón (D) para aumentar la temperatura deseada y presione el botón (C) para disminuir la temperatura deseada. El dispositivo está inteligentemente programado, selecciona el nivel de trabajo entre calor bajo o alto según la temperatura deseada y la temperatura ambiente actual.

## FUNCIÓN DE HUMIDIFICACIÓN

Primero, vierta el agua en el tanque de agua (13) de acuerdo con las instrucciones que se describen a continuación. Para verter el agua en el depósito de agua (13), primero desenchufe el dispositivo. A continuación, presione hacia abajo y tire hacia afuera de la parte que sobresale en la cubierta trasera (6) - observe la figura 4. Saque el tanque de agua (13) de la carcasa, desenrosque el tapón del tanque de agua (13) en sentido antihorario, vierta agua limpia (no aceites esenciales agregados) y atornille bien el tapón. Coloque el depósito de agua (13) dentro de la carcasa. Coloque bien la tapa en dos lugares de pestillos y empújela para cerrar.

La función de humidificación se puede utilizar normalmente. Conecta el dispositivo.

Presione el botón (G), el producto enciende la función de humidificación, el indicador de humidificación (G1) se enciende. Presione el botón (G) nuevamente para apagar la función de humidificación, al mismo tiempo el indicador de humidificación (G1) se apagará. La función de humidificación también se puede utilizar por separado cuando la función de ventilador / calefacción está apagada pero la alimentación está encendida.

Para drenar el agua, abra la tapa de drenaje (7) tire del tapón de drenaje (9) y drene el agua de recordatorio al tanque adecuado. Cuando el dispositivo no se usa durante mucho tiempo, se debe drenar el agua del tanque.

Condiciones ambientales aplicables para el funcionamiento del dispositivo:

- Temperatura de uso de la función de calentamiento en el rango de -20 ° C a 25 ° C.
- Uso de la función de humidificador en temperaturas en el rango de 5 ° C a 40 ° C y la humedad relativa inferior al 80%.

Para apagar el dispositivo presione el botón (A) nuevamente. Luego, el ventilador enfriará el elemento calefactor dentro de la carcasa durante 30 segundos, luego el ventilador se apagará automáticamente. Si el dispositivo no está configurado en la función de calefacción antes, pasará directamente al modo de espera.

Apagado del panel de visualización frontal (2): después de que el dispositivo esté funcionando durante 10 minutos, entrará automáticamente en el modo de luz apagada, presione cualquier tecla para iluminar la pantalla.

Mando a distancia: antes de utilizar el mando a distancia (11), retire la pieza de plástico del lado derecho del mando a distancia. La operación del control remoto es la misma que la operación manual del panel superior (8).

## CÓMO CAMBIAR LA BATERÍA DEL CONTROL REMOTO:

1. La tapa de la batería se puede abrir con una moneda o similar.
2. Instale la batería de botón, preste atención a la polaridad de la batería ("+" hacia arriba y "-" hacia abajo).
3. Cubra la tapa de la batería.

## LIMPIEZA Y MANTENIMIENTO

1. Asegúrese de que el dispositivo no esté caliente.
2. Antes de limpiar el dispositivo, retire el enchufe de la toma de corriente.
3. Mantenga limpias las aberturas de entrada y salida de aire. No permita que se acumule polvo en las aberturas.
4. Limpiar la carcasa con un paño seco o húmedo.
5. ¡No sumerja el dispositivo en agua!

## DATOS TÉCNICOS:

Poder: 2200W

Fuente de alimentación: 220-240V ~ 50Hz



Preocupación por el medio ambiente. Por favor, lleva las cajas de cartón a un sitio de reciclaje. Las bolsas de polietileno se deben tirar al cubo de la basura amarillo (para envases). El equipo gastado debe ser entregado en el punto de almacenamiento adecuado, porque las piezas que constituyen el equipo pueden suponer un peligro para el medio ambiente. Debes entregar el equipo. Hay que devolver el equipo eléctrico con el fin de evitar su reutilización. Si en el equipo se encuentran pilas, hay que sacarlas y entregar por separado, en un punto de almacenamiento adecuado. No tires el equipo al contenedor para residuos urbanos!!

## PORTUGUÊS

### CONDIÇÕES GERAIS DE SEGURANÇA INSTRUÇÕES DE SEGURANÇA IMPORTANTES, LEIA COM ATENÇÃO E MANTENHA PARA REFERÊNCIA FUTURA

1. Antes de usar o dispositivo, leia as instruções de operação e siga as instruções aqui contidas. O fabricante não se responsabiliza por quaisquer danos causados pelo uso do dispositivo de forma contrária ao uso pretendido ou operação inadequada.
2. O aparelho é apenas para uso doméstico. Não use para outros fins que não estejam de acordo com o uso pretendido.
3. O dispositivo deve ser conectado a 220-240V ~ 50 / 60Hz. Para aumentar a segurança de uso, muitos dispositivos elétricos não devem ser conectados a um circuito elétrico simultaneamente.
4. Tenha cuidado especial ao usar o dispositivo quando crianças estiverem nas proximidades. Não permita que crianças brinquem com o dispositivo e não permita que crianças ou pessoas não familiarizadas com o dispositivo o utilizem.
5. AVISO: Este equipamento pode ser usado por crianças com mais de 8 anos de idade e pessoas com capacidades físicas, sensoriais ou mentais reduzidas, ou pessoas sem experiência ou conhecimento do equipamento, se isso for feito sob a supervisão de um



responsável por sua segurança ou tenham recebido instruções sobre o uso seguro do dispositivo e estejam cientes dos perigos associados ao seu uso. As crianças não devem brincar com o equipamento. A limpeza e manutenção do usuário não devem ser realizadas por crianças, a menos que tenham mais de 8 anos e essas atividades sejam realizadas sob supervisão.

6. Sempre após o uso, remova o plugue da tomada segurando-a com a mão. NÃO puxe o cabo.

7. Não mergulhe o cabo, plugue e todo o dispositivo em água ou qualquer outro líquido. Não exponha o dispositivo a condições climáticas (chuva, sol, etc.) ou use-o em condições de alta umidade (banheiros, casas móveis úmidas).

8. Verifique periodicamente a condição do cabo de alimentação. Se o cabo de alimentação estiver danificado, deve ser substituído por uma oficina especializada para evitar perigos.

9. Não utilize o aparelho se o cabo de alimentação estiver danificado ou se tiver caído ou danificado de alguma forma ou se não estiver a funcionar correctamente. Não repare o dispositivo sozinho, pois pode causar choque elétrico. Leve o dispositivo danificado a um centro de serviço apropriado para inspeção ou reparo. Quaisquer reparos só podem ser realizados por pontos de serviço autorizados. Reparos executados incorretamente podem representar uma séria ameaça ao usuário.

10. Coloque o dispositivo em uma superfície fria, estável e plana, longe de aparelhos de aquecimento, como: fogão elétrico, queimador de gás, etc.

11. Não use o dispositivo perto de materiais inflamáveis.

12. Para proteção adicional, é aconselhável instalar um dispositivo de corrente residual (RCD) no circuito elétrico com uma corrente residual nominal não superior a 30 mA. A este respeito, consulte um electricista especialista.

13. Quando o dispositivo for usado no banheiro, remova o plugue da tomada após o uso, pois a proximidade da água é um perigo mesmo quando o dispositivo está desligado.

14. Não coloque os dedos ou quaisquer objetos ou objetos metálicos estranhos dentro do produto, através da grade de ventilação e outras fendas, caso contrário, pode causar choque elétrico ou mau funcionamento.

15. Não coloque nenhum objeto em cima do dispositivo. Os respiradouros não devem ser coberto por uma toalha, cortina, etc. Pode danificar o dispositivo ou causar um incêndio.

16. O dispositivo aquece durante a operação, não toque nas partes quentes do dispositivo. Não toque no dispositivo com as mãos molhadas.

17. Se o convector ficar molhado ou qualquer objeto cair a grelha de ventilação do convector, desligue-a imediatamente e desconecte-a da rede.

Antes de relançar utilizando o convector, contacte o serviço.

18. Não coloque a máquina diretamente abaixo de uma tomada elétrica.

19. Sempre desligue o aparelho com os botões antes de desconectá-lo da rede elétrica.

20. Não use este dispositivo se ele tiver caído.

21. Não use se houver sinais visíveis de danos ao dispositivo.

22. Use o aquecedor em uma superfície nivelada e estável ou fixe-o na parede, se fornecido pelo fabricante.

23. Todos os itens devem estar a pelo menos 1 metro da frente e das laterais do dispositivo.

24. Não insira ou permita que objetos estranhos entrem nas saídas de ventilação ou exaustão, pois isso pode resultar em choque elétrico, incêndio ou danos ao produto.

25. Uma causa comum de superaquecimento é poeira ou fiapos dentro do dispositivo.

Certifique-se de que esses depósitos são removidos regularmente, desconectando a unidade e aspirando as aberturas e grades e filtros, se disponíveis.

26. Não use este dispositivo em uma janela, pois a chuva pode causar choque elétrico.

27. Não conecte o aparelho a uma fonte de alimentação até que tenha sido instalado em sua posição final e colocado na posição de uso.

28. Não é recomendado usar um cabo de extensão com este dispositivo.
29. Não coloque o cabo sob carpetes, tapetes, etc. Mantenha o cabo longe de lugares onde possa tropeçar nele.
30. Não use este dispositivo com um programador, temporizador ou qualquer outro dispositivo que ligue automaticamente o aquecedor, pois há risco de incêndio se o dispositivo for coberto ou colocado incorretamente.
31. Para evitar o perigo de reinicializar inadvertidamente o corte térmico, este aparelho não deve ser alimentado por um dispositivo de comutação externo, como um relógio, ou conectado a um circuito que é regularmente ligado e desligado pela rede elétrica.
32. Não molhe o dispositivo. Se o dispositivo cair na água, desconecte o plugue da tomada imediatamente. Não coloque as mãos na água quando o dispositivo estiver conectado. Antes de reutilizá-lo, ele deve ser verificado por um centro de serviço autorizado.
33. O dispositivo deve ser desligado sempre que você o pousar.
34. Nunca ligue o dispositivo quando o tanque não estiver cheio de água.
35. Use apenas água limpa e fria.
36. Não coloque água no tanque acima do nível máximo.
37. Não mergulhe a base do dispositivo.
38. Não adicione quaisquer produtos químicos ao tanque, base ou saída de vapor. Não adicione óleos aromáticos, sal, pastilhas descalcificantes, pós ou agentes de limpeza à água.
39. A tampa de enchimento / tampa do tanque de água devem estar sempre aparafusadas / fechadas.
40. Tome cuidado para que a saída de névoa de água do umidificador não aponte diretamente para paredes, móveis, tomadas elétricas, dispositivos elétricos e eletrônicos e crianças. Muita umidade na sala pode levar ao acúmulo de umidade, causando o crescimento de bactérias e fungos e danificando paredes, móveis e papel de parede.
41. Não bloqueie a ventilação do dispositivo. Mantenha uma distância de pelo menos 100 cm do dispositivo. Não bloqueie a saída de névoa de água com a função de umidificador.
42. Não use o dispositivo onde houver risco de condensação. A umidade pode se formar na parte interna e externa do aparelho quando:
  - o dispositivo é movido de um local frio para um local quente,
  - o sistema de aquecimento acabou de ser ligado,
  - o dispositivo é usado em uma sala com alta umidade,
  - o aparelho é refrigerado pelo sistema de refrigeração do ar condicionado.Quando ocorre condensação de umidade no dispositivo, ele pode não funcionar corretamente ou, em casos extremos, pode ser danificado. Neste caso, não utilize o aparelho e deixe-o secar por várias horas.
43. Não incline, não caia nem tente encher ou despejar água do dispositivo enquanto ele estiver funcionando.
44. Não remova o reservatório da base do dispositivo enquanto a função de umidificador estiver funcionando.
45. Um tanque de água cheio é pesado. Ao carregá-lo, mantenha-o embaixo também.
46. Não use o dispositivo se houver vazamento de água.
47. Não deixe água no tanque quando a máquina não estiver em uso.
48. Limpe o umidificador após cada ciclo de uso do dispositivo. Siga as instruções de limpeza neste manual.
49. Nunca permita que sedimentos, umidade ou água permaneçam no tanque (isso pode causar contaminação ou mesmo danificar o atomizador ultrassônico).
50. Durante a operação de longo prazo do dispositivo, a névoa de água emitida pelo umidificador pode cair no chão e causar umidade.

**AVISO:** Não use este aquecedor em ambientes pequenos onde existam pessoas que não possam deixá-los sozinhos, a menos que seja garantida uma supervisão constante.

**AVISO:** Para reduzir o risco de incêndio, mantenha tecidos, cortinas ou outros materiais inflamáveis a pelo menos 1 m de distância da saída de ar do aquecedor.



"Cuidado, superfície quente" - A temperatura das superfícies acessíveis pode ser mais elevada durante a operação, o que significa que os elementos da caixa ficam quentes durante a operação. CUIDADO !!!



NOTA: Para evitar superaquecimento - não cubra o aquecedor. Não cubra o dispositivo com roupas, cobertores ou outros tecidos que possam causar ignição.



Não use o dispositivo perto da água, por exemplo no chuveiro, banheira ou sobre uma pia com água.

## MONTAGEM

Montagem da base (10): Alinhe os quatro orifícios dos parafusos de fixação da base (10) com os pinos da base (10) e aparafuse com quatro parafusos auto-roscentes para colocar o produto em uso. Observe a figura 2.

## DESCRIÇÃO DO PRODUTO (Figura 1)

- |                      |                               |
|----------------------|-------------------------------|
| 1. Saída de ar úmido | 2. Painel de exibição frontal |
| 3. Saída de ar       | 4. Alojamento                 |
| 5. Entrada de ar     | 6. Tampa traseira             |
| 7. Tampa do dreno    | 8. Painéis superiores         |
| 9. Bujão de drenagem | 10. A base                    |
| 11. Controle remoto  | 12. Botão liga / desliga      |

## PAINEL SUPERIOR E PAINEL FRONTAL E MARCAÇÃO DE CONTROLE REMOTO - Figura 3

- A. Botão de espera
- A1. Indicador de função do ventilador
- B. Botão do cronômetro
- B1. Indicador de tempo
- B2. Indicador de contagem regressiva do temporizador / temperatura / resfriamento
- C. Botão de aumento do temporizador / temperatura
- D. Botão de diminuição do temporizador / temperatura
- E. Botão de regulação do nível de aquecimento
- E1. Indicador de baixo nível de aquecimento
- E2. Indicador de alto nível de aquecimento
- F. Botão de oscilação
- G. Botão de função do umidificador
- G1. Indicador de umidificador
- H. Indicador de unidade de temperatura

## USO

1. Ligar: coloque o dispositivo em um piso estável e insira o plugue na tomada. Ligue o botão liga / desliga (12) na parte traseira do produto. "I" significa ligado, "O" significa desligado. Neste momento, o dispositivo está em modo de espera, o display mostra a temperatura ambiente (B2) e o indicador da unidade de temperatura (H) acenderá.

### 2. Ventilador

Pressione o botão (A), o indicador (A1) acenderá e o ventilador estará funcionando (fluir o ar em temperatura ambiente).

### 3. Aquecimento

Pressione o botão (E) uma vez para aquecimento de baixo nível ~ 1500W, o display acende o indicador (E1).

Pressione o botão (E) duas vezes para aquecimento de alto nível 2200W, o display acenderá os dois indicadores (E1 + E2).

Pressione o botão (E) novamente para cancelar o aquecimento.

Função TIMER: Pressione o botão (B) repetidamente para definir um período após o qual o dispositivo se desligará (entre 1,0 hora - 12,0 horas, em intervalos de 60 minutos). Ao mesmo tempo, a exibição da luz do indicador do temporizador (B1).

Função OSCILAÇÃO: Pressione o botão (F) para ativar a oscilação, o dispositivo irá oscilar para a direita e esquerda para distribuir o ar de exaustão uniformemente. Pressione novamente o botão (F) para cancelar a função de oscilação.

## AJUSTE DE TEMPERATURA

Ajuste a temperatura ambiente pressionando o botão (D) ou (C). A temperatura de configuração padrão é 25 ° C. Faixa de temperatura de 10-35 ° C. Pressione o botão (D) para aumentar a temperatura desejada e pressione o botão (C) para diminuir a temperatura desejada. O dispositivo é programado de forma inteligente, ele seleciona o nível de trabalho entre aquecimento alto ou baixo de acordo com a temperatura desejada e a temperatura ambiente atual.

## FUNÇÃO DE UMIDIFICAÇÃO

Em primeiro lugar, despeje a água no tanque de água (13) de acordo com as instruções descritas abaixo. Para despejar a água no tanque de água (13), desconecte o dispositivo primeiro. Em seguida, pressione para baixo e puxe para fora a parte saliente na tampa traseira (6) - veja a figura 4. Retire o tanque de água (13) do alojamento, desparafuse o bujão do tanque de água (13) no sentido anti-horário, despeje água limpa (não óleos essenciais adicionados) e aperte bem o bujão. Coloque o reservatório de água (13) dentro da carcaça. Coloque bem a tampa nas duas travas e empurre-a para fechar.

A função de umidificação pode ser usada normalmente. Conecte o dispositivo.

Pressione o botão (G), o produto liga a função de umidificação, o indicador de umidificação (G1) acende. Pressione o botão (G) novamente para desligar a função de umidificação, ao mesmo tempo que o indicador de umidificação (G1) se apaga. A função de umidificação também pode ser usada separadamente quando a função de ventilador / aquecimento está desligada, mas a energia está ligada.

Para drenar a água, abra a tampa de drenagem (7) puxe o bujão de drenagem (9) e drene a água de lembrete para um tanque adequado. Quando o dispositivo não é usado por um longo período, a água do tanque deve ser drenada.

Condições ambientais aplicáveis para a operação do dispositivo:

- temperatura de uso da função de aquecimento na faixa de -20 °C a 25 °C.
- função de umidificador usada em temperaturas na faixa de 5 °C a 40 °C e umidade relativa inferior a 80%.

Para desligar o aparelho pressione o botão (A) novamente. Em seguida, o ventilador resfriará o elemento de aquecimento dentro da carcaça durante 30 segundos, em seguida o ventilador será desligado automaticamente. Se o dispositivo não estiver definido na função de aquecimento antes, ele irá diretamente para o modo de espera.

Iluminação desligada do painel de exibição frontal (2): Após o dispositivo estar funcionando por 10 minutos, ele entrará automaticamente no modo de iluminação desligada da tela, pressione qualquer tecla para iluminar a tela.

Controle remoto: Antes de usar o controle remoto (11), retire a folha de plástico do lado direito do controle remoto. A operação do controle remoto é igual à operação manual do painel superior (8).

COMO TROCAR A BATERIA DOS CONTROLES REMOTOS:

1. A tampa da bateria pode ser aberta com uma moeda ou algo semelhante.
2. Instale a bateria tipo botão, preste atenção à polaridade da bateria ("+" para cima e "-" para baixo).
3. Cubra a tampa da bateria.

LIMPEZA E MANUTENÇÃO

1. Certifique-se de que o dispositivo não esteja quente.
2. Antes de limpar o aparelho, remova o plugue da tomada elétrica.
3. Mantenha as aberturas de entrada e saída de ar limpas. Não permita que a poeira se acumule nas aberturas.
4. Limpe a caixa usando apenas um pano seco ou úmido.
5. Não mergulhe o dispositivo na água!

DADOS TÉCNICOS:

Potência: 2200W

Fonte de alimentação: 220-240V ~ 50Hz



Proteção do meio ambiente. Rogamos, os embalagens de cartão destinem-se para papéis velhos. Os sacos de polietileno (PE) devem-se colocar em contenedores para material plástico. O dispositivo usado deve-se levar a um ponto de armazenamento adequado porque os componentes perigosos que ficam dentro do dispositivo podem ser perigosos para o meio ambiente. O dispositivo elétrico deve-se entregar de modo que se reduza a sua nova utilização e uso. Se no dispositivo há pilhas, devem-se tirar e levar a um ponto de armazenamento em separado. Não colocar o dispositivo em contenedores para resíduos municipais!!

## LIETUVIŲ

### BENDROSIS SAUGOS SALYGOS SVARBIOS SAUGOS INSTRUKCIJOS

Prašome atidžiai perskaityti ir laikytis būsimų nuorodų

1. Prieš naudodami prietaisą, perskaitykite naudojimo instrukcijas ir vykdykite joje pateiktas instrukcijas. Gamintojas neatsako už jokią žalą, padarytą naudojant prietaisą priešingai jo paskirčiai arba netinkamai naudojant.
2. Prietaisas skirtas naudoti tik namuose. Nenaudokite kitiems tikslams ne pagal paskirtį.
3. Prietaisas turėtų būti prijungtas prie 220–240 V ~ 50/60 Hz. Siekiant padidinti naudojimo saugumą, daugelis elektros prietaisų neturėtų būti vienu metu prijungti prie vienos elektros grandinės.
4. Būkite ypač atsargūs, kai naudojate prietaisą, kai vaikai yra šalia. Neleiskite vaikams žaisti su prietaisu ir neleiskite vaikams ar žmonėms, kurie nėra susipažinę su prietaisu.
5. ĮSPEJIMAS: Šią įrangą gali naudoti vyresni nei 8 metų vaikai ir žmonės, turintys ribotų fizinių, jutiminių ar protinių gebėjimų, arba žmonės, neturintys patirties ar žinių apie įrangą, jei tai daroma prižiūrint asmeniui, atsakingam už jų saugumą arba jiems buvo pateiktos saugaus prietaiso naudojimo instrukcijos ir jie žino apie su jo naudojimu susijusius pavojus. Vaikai neturėtų žaisti su įranga. Vaikai neturėtų valyti ir prižiūrėti naudotojų, nebent jie yra vyresni nei 8 metų ir ši veikla atliekama prižiūrint.
6. Visada po naudojimo, ištraukite kištuką iš lizdo, laikydami ranką. NETraukite laido.
7. Nemerkite laido, kištuko ir viso prietaiso į vandenį ar bet kokį kitą skystį. Nelaikykite prietaiso oro sąlygomis (lietus, saulė ir kt.) Ir nenaudokite jo esant dideliame drėgnumui (vonios kambariuose, drėgnuose mobiliuose namuose).
8. Periodiškai patikrinkite maitinimo laido būklę. Jei pažeistas maitinimo laidas, kad

- išvengtumėte pavojaus, jį turėtų pakeisti specializuotas remonto dirbtuvės.
9. Nenaudokite prietaiso, jei pažeistas maitinimo laidas, jis buvo numestas ar kaip nors sugadintas, arba jei jis neveikia tinkamai. Pataisykite prietaisą patys, nes tai gali sukelti elektros smūgį. Pažeistą prietaisą nuneškite į atitinkamą techninės priežiūros centrą, kad jis galėtų patikrinti ar taisyti. Bet kokius remonto darbus gali atlikti tik įgalioti techninės priežiūros centrai. Neteisingai atliktas remontas gali kelti rimtą grėsmę vartotojui.
  10. Įdėkite prietaisą ant vėsaus, stabilaus, lygaus paviršiaus, toliau nuo šildymo prietaisų, tokių kaip: elektrinė viryklė, dujinis degiklis ir kt.
  11. Nenaudokite prietaiso šalia degių medžiagų.
  12. Papildomai apsaugai patartina į elektros grandinę įmontuoti likutinės srovės įtaisą (RCD), kurio vardinė liekamoji srovė neviršija 30 mA. Šiuo klausimu kreipkitės į specialistą elektriką.
  13. Kai prietaisas naudojamas vonioje, po naudojimo ištraukite kištuką iš lizdo, nes vandens artumas kelia pavojų net tada, kai prietaisas yra išjungtas.
  14. Nekiškite pirštų, daiktų ar metalinių pašalinių daiktų į gaminio vidų, pro ventiliacijos groteles ir kitas angas, nes kitaip tai gali sukelti elektros smūgį arba sutrikti.
  15. Nedėkite jokių daiktų ant prietaiso viršaus. Ventilatoriai neturi būti uždengtas rankšluosčiu, užuolaidomis ir pan. Tai gali sugadinti prietaisą arba sukelti gaisrą.
  16. Prietaisas veikimo metu įkaista, nelieskite karštų prietaiso dalių. Nelieskite prietaiso šlapiomis rankomis.
  17. Jei konvektorius sušlampa arba iškrenta koks nors daiktas konvektoriaus ventiliacijos groteles, nedelsdami jas išjunkite ir atjunkite nuo elektros tinklo. Prieš pradėdami iš naujo naudodamiesi konvektoriumi, susisiekite su tarnyba.
  18. Nestatykite mašinos tiesiai po elektros lizdu.
  19. Prieš atjungdami jį nuo tinklo, visada išjunkite prietaisą mygtukais.
  20. Nenaudokite šio prietaiso, jei jis buvo numestas.
  21. Nenaudokite, jei yra matomų prietaiso pažeidimo požymių.
  22. Naudokite šildytuvą ant lygaus ir stabilaus paviršiaus arba pritvirtinkite prie sienos, jei taip numato gamintojas.
  23. Visi daiktai turi būti bent 1 metro atstumu nuo prietaiso priekio ir šonų.
  24. Neįdėkite ir neleiskite pašaliniams daiktams patekti į ventiliacijos ar išmetimo angas, nes tai gali sukelti elektros smūgį, gaisrą ar gaminio pažeidimą.
  25. Dažna perkaitimo priežastis yra dulkės ar pūkai prietaiso viduje. Įsitikinkite, kad šios nuosėdos reguliariai pašalinamos, atjungus įrenginį ir išsiurbiant ventiliacijos angas bei groteles, jei įmanoma, filtrus.
  26. Nenaudokite šio prietaiso prie lango, nes lietus gali sukelti elektros smūgį.
  27. Prijunkite prietaisą prie maitinimo šaltinio, kol jis nebus sumontuotas galutinėje padėtyje ir padėtas naudoti.
  28. Prie šio prietaiso nerekomenduojama naudoti ilgintuvo.
  29. Nedėkite laido po kilimais, pledais, kilimėliais ir tt Laidą laikykite atokiau nuo vietų, kur jis gali jį užkliuti.
  30. Nenaudokite šio prietaiso su programuotoju, laikmačiu ar kitu prietaisu, kuris automatiškai įjungia šildytuvą, nes prietaisą uždengus ar uždėjus neteisingai, kyla gaisro pavojus.
  31. Kad būtų išvengta netyčinio terminio išjungimo pavojaus, šio prietaiso maitinti negalima iš išorinio perjungimo įtaiso, pvz., Laikrodžio, arba jis turi būti prijungtas prie grandinės, kurią reguliariai įjungia ir išjungia elektros tinklas.
  32. Neperšlapinkite prietaiso. Jei prietaisas patenka į vandenį, nedelsdami atjunkite kištuką iš lizdo. Nekiškite rankų į vandenį, kai prietaisas yra prijungtas prie elektros tinklo. Prieš pakartotinį naudojimą jį reikia patikrinti įgaliotame aptarnavimo centre.

33. Prietaisą reikia išjungti, kai tik jį padėsite.
34. Niekada neįjunkite prietaiso, kai bakas nėra užpildytas vandeniu.
35. Naudokite tik švarų, vėsų vandenį.
36. Nepilkite vandens į rezervuarą virš didžiausio lygio.
37. Nepaskandinkite prietaiso pagrindo.
38. Nepilkite jokių chemikalų į baką, pagrindą ar garų išleidimo angą. Nepilkite į vandenį aromatinių aliejų, druskos, nukalkinimo tablečių, miltelių ar valymo priemonių.
39. Užpildo dangtelis / vandens rezervuaro dangtis visada turėtų būti visada prisukamas / uždaromas.
40. Pasirūpinkite, kad drėkintuvo vandens rūko išleidimo angos nebūtų nukreiptos tiesiai į sienas, baldus, elektros lizdus, elektrinius ir elektroninius prietaisus ir vaikus. Per didelė drėgmė kambaryje gali sukelti drėgmės kaupimąsi, sukelti bakterijų ir grybelių dauginimąsi bei pakenkti sienoms, baldams ir tapetams.
41. Neužblokuokite prietaiso ventiliacijos. Laikykitės mažiausiai 100 cm atstumo nuo prietaiso. Neužblokuokite vandens rūko išleidimo angos naudodamiesi drėkintuvo funkcija.
42. Nenaudokite prietaiso ten, kur yra kondensato pavojus. Drėgmė gali susidaryti prietaiso viduje ir išorėje, kai:
  - prietaisas perkeliamas iš šaltos į šiltą vietą,
  - ką tik įjungta šildymo sistema,
  - prietaisas naudojamas patalpoje, kurioje yra daug drėgmės,
  - prietaisą aušina oro kondicionavimo sistema.
 Kai įrenginyje kondensuojasi drėgmė, jis gali tinkamai neveikti arba kraštutiniais atvejais gali būti sugadintas. Tokiu atveju nenaudokite prietaiso ir palikite jį kelias valandas išdžiūti.
43. Nenukreipkite, nenugriūkite ir nebandykite iš naujo pripilti ar pilti vandens iš prietaiso, kol jis veikia.
44. Nenuimkite rezervuaro nuo prietaiso pagrindo, kol veikia drėkintuvo funkcija.
45. Užpildytas vandens rezervuaras yra sunkus. Nešiodami jį taip pat laikykite po juo.
46. Nenaudokite prietaiso, jei yra vandens nutekėjimas.
47. Nepalikite vandens rezervuare, kai mašina nenaudojama.
48. Išvalykite drėkintuvą po kiekvieno prietaiso naudojimo ciklo. Vykdykite šioje instrukcijoje pateiktas valymo instrukcijas.
49. Niekada neleiskite, kad rezervuare liktų nuosėdų, drėgmės ar vandens (tai gali užteršti ar net sugadinti ultragarso purkštuvą).
50. Ilgai veikiant prietaisui, drėkintuvo skleidžiamas vandens rūkas gali nukristi ant grindų ir sukelti drėgmę.

**[SPĖJIMAS: Nenaudokite šio šildytuvo mažose patalpose, kur yra žmonių, kurie patys negali jų palikti, nebent užtikrinama nuolatinė priežiūra.**

**[SPĖJIMAS: Norėdami sumažinti gaisro riziką, tekstilę, užuolaidas ar kitas degias medžiagas laikykite bent 1 m atstumu nuo šildytuvo oro išleidimo angos.**



„Atsargiai karštas paviršius“ - darbo metu prienamų paviršių temperatūra gali būti aukštesnė, o tai reiškia, kad korpuso elementai veikimo metu įkaista. **ATSARGIAI !!!**



**PASTABA:** kad išvengtumėte perkaitimo, neuždenkite šildytuvo. Neuždenkite prietaiso drabužiais, antklodėmis ar kitais tekstilės gaminiiais, kurie gali užsidegti.



Nenaudokite prietaiso šalia vandens, pvz. duše, vonioje arba virš praustuvo su vandeniu.

#### MONTAGE

Pagrindo (10) montavimas: sulygiuokite keturias pagrindo (10) tvirtinimo varžtų skyles su pagrindo (10) varžtais ir įsukite keturis savisriegius, kad gaminyje būtų naudojamas. Pažvelkite į 2 paveikslą.

#### PRODUKTO APRAŠYMAS (1 pav.)

- |                       |                              |
|-----------------------|------------------------------|
| 1. Oro išleidimo anga | 2. Priekinis ekrano skydelis |
| 3. Oro išleidimo anga | 4. Korpusas                  |

- |                         |                         |
|-------------------------|-------------------------|
| 5. Oro įleidimo anga    | 6. Galinė dangtis       |
| 7. Drenažo dangtis      | 8. Viršutinės plokštės  |
| 9. Drenažo kamštis      | 10. Pagrindas           |
| 11. Nuotolinis valdymas | 12. Maitinimo jungiklis |

Viršutinis skydelis, priekinis skydelis ir nuotolinio valdymo pulto ženklimas - 3 pav

- A. Budėjimo mygtukas  
 A1. Ventilatoriaus funkcijos indikatorius  
 B. Laikmačio mygtukas  
 B1. Laikmatis  
 B2. Laikmatis / temperatūra / atvėsimo skaičiavimo indikatorius  
 C. Laikmačio / temperatūros padidinimo mygtukas  
 D. Laikmačio / temperatūros sumažinimo mygtukas  
 E. Šildymo lygio reguliavimo mygtukas  
 E1. Zemo šildymo lygio indikatorius  
 E2. Aukšto šildymo lygio indikatorius  
 F. Svyravimo mygtukas  
 G. Drėkintuvo funkcijos mygtukas  
 G1. Drėkintuvo indikatorius  
 H. Temperatūros vieneto indikatorius

#### NAUDOJIMAS

1. Maitinimas: padėkite prietaisą ant stabilių grindų ir įkiškite kištuką į lizdą. Įjunkite maitinimo jungiklį (12) gaminio gale. „I“ reiškia įjungta, „0“ reiškia išjungta. Šiuo metu prietaisas veikia laukimo režimu, ekrane rodoma aplinkos temperatūra (B2), o užsidega temperatūros vieneto indikatorius (H).

#### 2. Ventilatorius

Paspauskite mygtuką (A), užsidegs indikatorius (A1) ir ventilatorius veiks (orą tiekite kambario temperatūroje).

#### 3. Šildymas

Vieną kartą paspauskite mygtuką (E), jei norite pašildyti ~ 1500W, ekrane užsidega indikatorius (E1).

Du kartus paspauskite mygtuką (E), jei norite 2200 W aukšto lygio šildymo, ekrane užsidega abu indikatoriai (E1 + E2).

Dar kartą paspauskite mygtuką (E), kad atsauktumėte šildymą.

**TIMER funkcija:** Paspauskite mygtuką (B) pakartotinai, norėdami nustatyti laikotarpį, po kurio prietaisas pats išsijungs (nuo 1,0 iki 12,0 valandos, 60 minučių žingsniais). Tuo pačiu metu užsidega laikmačio indikatorius (B1).

**OSCILLATION funkcija:** Paspauskite mygtuką (F), kad suaktyvintumėte svyravimą. Įrenginys pasisuks į dešinę ir į kairę, kad tolygiai paskirstytų išmetamą orą. Paspauskite dar kartą mygtuką (F), kad atsauktumėte virpesių funkciją.

#### TEMPERATŪROS REGULIAVIMAS

Sureguliuokite kambario temperatūrą paspausdami mygtuką (D) arba (C). Numatytoji nustatyto temperatūra yra 25 ° C. Temperatūros diapazonas nuo 10-35 ° C. Norėdami padidinti norimą temperatūrą, paspauskite mygtuką (D) ir paspauskite mygtuką (C) norėdami sumažinti norimą temperatūrą. Prietaisas yra išmaniai užprogramuotas, jis parenka darbinį lygį tarp žemos arba aukštos šilumos pagal norimą temperatūrą ir esamą aplinkos temperatūrą.

#### DRĖKINIMO FUNKCIJA

Iš pradžių pilkite vandenį į vandens rezervuarą (13) pagal toliau aprašytą instrukciją. Norėdami išpilti vandenį į vandens rezervuarą (13), iš pradžių atjunkite prietaisą iš elektros tinklo. Tada paspauskite žemyn ir patraukite už galinio dangtelio (6) išsikišusios dalies (žiūrėkite 4 paveikslą). Išimkite vandens rezervuarą (13) iš korpuso, atsukite vandens bako (13) kištuką prieš laikrodžio rodyklę, užpilkite švariu vandeniu (ne eterinių aliejų) ir sandariai uždėkite kamštį. Įstatykite vandens baką (13) į korpuso vidų. Gerai uždėkite dangtelį ant dviejų skląsčių vietų ir stumkite, kad uždarytumėte.

Drėkinimo funkcija galima naudoti paprastai. Prijunkite įrenginį.

Paspauskite mygtuką (G), gaminys išsijungia drėkinimo funkciją, užsidega drėkinimo indikatorius (G1). Dar kartą paspauskite mygtuką (G), kad išjungtumėte drėkinimo funkciją, tuo pačiu metu nedegs drėkinimo indikatorius (G1). Drėkinimo funkciją taip pat galima naudoti atskirai, kai ventilatoriaus / šildymo funkcija išjungta, bet maitinimas įjungtas.

Norėdami išleisti vandenį, atidarykite išleidimo dangtį (7), ištraukdami išleidimo kamštį (9) ir išleiskite priminimo vandenį į tinkamą baką. Kai prietaisas nenaudojamas ilgą laiką, bako vandenį reikia išleisti.

Taikomos aplinkos sąlygos prietaiso veikimui:

- šildymo funkcijos naudojimo temperatūra yra nuo -20 ° C iki 25 ° C.

- drėkintuvo funkciją naudoti esant 5–40 ° C temperatūrai, o santykinė drėgmei esant mažesnei nei 80%.

Norėdami išjungti įrenginį, dar kartą paspauskite mygtuką (A). Tada ventilatorius per 30 sekundžių atvės korpuso viduje esantį kaitinimo elementą, o vėliau ventilatorius automatiškai išsijungs. Jei įrenginyje anksčiau nebuvo nustatyta šildymo funkcija, jis bus tiesiogiai budėjimo režime.

Priekinio ekrano skydelio apšvietimas (2): Kai prietaisas veikia 10 minučių, jis automatiškai pereina į apšvietimo išjungimo režimą, paspauskite bet kurį mygtuką, kad apšvietumėte ekraną.

Nuotolinio valdymo pultas: Prieš naudodami nuotolinio valdymo pultą (11), nuimkite plastikinę folijos dalį, esančią dešinėje nuotolinio valdymo pulto pusėje. Nuotolinio valdymo pultas yra tas pats, kas rankiniu būdu valdyti viršutinį skydelį (8).

#### KAIP PAKEISTI NUOTOLINIO VALDYMO AKUMULIATORIŲ:

1. Baterijos dangtį galima atidaryti moneta ar pan.

2. Įdėkite mygtuko akumuliatorių, atkreipkite dėmesį į akumuliatoriaus poliškumą („+“ veidu į viršų ir „-“ veidu į apačią).

3. Uždėkite akumuliatoriaus dangtelį.

#### VALYMAS IR PRIEŽIŪRA

1. Išitinkinkite, kad prietaisas nėra karštas.

2. Prieš valydami prietaisą, ištraukite kištuką iš elektros lizdo.

3. Laikykite švarias oro įleidimo ir išleidimo angas. Neleiskite ant angų kauptis dulkiams.

4. Korpusā valykitē tik sausa arba drēgna šluoste.

5. Nemerķite prietaiso ģ vandenġ!

TECHNINIAI DUOMENYS:

Galia: 2200W

Maitinimas: 220–240 V ~ 50 Hz



Rūpinantis aplinka. Kartono pakuotes atiduoti ģ makulatūrā. Polietileno (PE) maišelius mesti ģ plastikui skirtā konteinerġ. Susidėvėjusġ prietaisā atiduoti ģ atitinkamā atliekų surinkimo vietā, nes prietaise esančios pavojingos medžiagos gali kelti grėsmę aplinkai. Elektrinġ prietaisā atiduoti tokġ, kad nebūtų galima jo pakartotinai naudoti ir panaudoti. Jeigu prietaise yra baterijos, būtina jas išimti ir atskirai atiduoti ģ atliekų surinkimo vietā. Nemesti prietaiso ģ buitinių atliekų konteinerġ!

## LATVIEŠU

### VISPĀRĪGI DROŠĪBAS NOSACĪJUMI SVARĪGAS DROŠĪBAS INSTRUKCIJAS LŪZDU UZMANĪGI LASĪT UN UZGLABĀT TURPMĀKO ATSAUCES

1. Pirms ierīces lietošanas izlasiet lietošanas instrukciju un izpildiet tajā ietvertās instrukcijas. Ražotājs nav atbildīgs par jebkādiem bojājumiem, kas radušies, lietojot ierīci pretēji tās paredzētajam lietojumam, vai nepareizas darbības.
2. Ierīce paredzēta tikai mājas lietošanai. Nelietojiet citiem mērķiem, kas neatbilst paredzētajam lietojumam.
3. Ierīcei jābūt savienotai ar 220-240V ~ 50 / 60Hz. Lai palielinātu lietošanas drošību, daudzas elektriskās ierīces nevajadzētu vienlaikus savienot ar vienu elektrisko ķēdi.
4. Esiet īpaši piesardzīgs, lietojot ierīci, kad tuvumā atrodas bērni. Neļaujiet bērniem spēlēt ar ierīci un neļaujiet bērniem vai cilvēkiem, kas ierīci nepazīst, to izmantot.
5. BRĪDINĀJUMS: Šo aprīkojumu var izmantot bērni, kas vecāki par 8 gadiem, un cilvēki ar ierobežotām fiziskām, maņu vai garīgām spējām, vai cilvēki, kuriem nav pieredzes vai zināšanas par aprīkojumu, ja tas tiek darīts personas, kas atbild par viņu drošību vai viņiem ir sniegtas instrukcijas par ierīces drošu lietošanu, un viņi apzinās ar tās lietošanu saistītās briesmas. Bērniem nevajadzētu spēlēt ar aprīkojumu. Tīrīšanu un lietotāja uzturēšanu nedrīkst veikt bērni, izņemot gadījumus, kad bērni ir vecāki par 8 gadiem un šīs darbības tiek veiktas uzraudzībā.
6. Vienmēr pēc lietošanas noņemiet kontaktdakšu no kontaktligzdas, turot to ar roku. Nevelciet vadu.
7. Negremdējiet kabeļi, kontaktdakšu un visu ierīci ūdenī vai citā šķidrumā. Nepakļaujiet ierīci laika apstākļiem (lietus, saule utt.) Un nelietojiet to augsta mitruma apstākļos (vannas istabas, mitras pārvietojamās mājas).
8. Periodiski pārbaudiet strāvas vada stāvokli. Ja strāvas vads ir bojāts, tas jānomaina specializētā remontdarbnīcā, lai izvairītos no briesmām.
9. Nelietojiet ierīci, ja strāvas vads ir bojāts, vai tas jebkādā veidā ir nomests vai bojāts vai ja tas nedarbojas pareizi. Neremontējiet ierīci pats, jo tas var izraisīt elektrošoku. Nogādājiet bojāto ierīci attiecīgajā servisa centrā pārbaudei vai labošanai. Jebkuru remontu drīkst veikt tikai pilnvaroti servisa punkti. Nepareizi veikts remonts var nopietni apdraudēt lietotāju.
10. Novietojiet ierīci uz vēsas, stabilas, vienmērīgas virsmas, prom no tādām apkures ierīcēm kā elektriskā plīts, gāzes deglis utt.
11. Nelietojiet ierīci viegli uzliesmojošu materiālu tuvumā.
12. Papildu aizsardzībai elektriskajā ķēdē ieteicams uzstādīt atlikušās strāvas ierīci (RCD) ar nominālo atlikušo strāvu, kas nepārsniedz 30 mA. Šajā sakarā, lūdzu, konsultējieties ar speciālistu elektriķi.



13. Kad ierīci lieto vannas istabā, pēc lietošanas noņemiet kontaktdakšu no kontaktligzdas, jo ūdens tuvums ir bīstams pat tad, ja ierīce ir izslēgta.
14. Nenovietojiet pirkstus, priekšmetus vai metāla svešķermeņus izstrādājuma iekšpusē, caur ventilācijas režģi un citām spraugām, pretējā gadījumā tas var izraisīt elektrošoku vai nepareizu darbību.
15. Nelieciet ierīces augšpusē nekādus priekšmetus. Vents nedrīkst būt pārklāts ar dvieli, aizkaru utt. Tas var sabojāt ierīci vai izraisīt ugunsgrēku.
16. Darbības laikā ierīce sasilst, nepieskarieties karstām ierīces daļām. Neaiztieciet ierīci ar mitrām rokām.
17. Ja konvektors kļūst slapjš vai kāds objekts izkrīt cauri konvektora ventilācijas režģi, nekavējoties to izslēdziet un atvienojiet to no elektrotīkla. Pirms atsākšanas izmantojot konvektoru, sazinieties ar servisu.
18. Nenovietojiet mašīnu tieši zem kontaktligzdas.
19. Vienmēr izslēdziet ierīci, izmantojot pogas, pirms to atvienojat no elektrotīkla.
20. Nelietojiet šo ierīci, ja tā ir nomesta.
21. Nelietojiet, ja ir redzamas ierīces bojājuma pazīmes.
22. Izmantojiet sildītāju uz līdzenas un stabilas virsmas vai piestipriniet to pie sienas, ja ražotājs to paredz.
23. Visiem priekšmetiem jābūt vismaz 1 metru attālumā no ierīces priekšpusē un sāniem.
24. Neievietojiet un nepieļaujiet svešķermeņu iekļūšanu ventilācijas vai izplūdes atverēs, jo tas var izraisīt elektrošoku, aizdegšanos vai produkta bojājumus.
25. Parasti pārkaršanas cēlonis ir putekļi vai savārstījums ierīces iekšpusē. Pārļieciniet, ka šīs nogulsnes tiek regulāri noņemtas, atvienojot ierīci no elektrotīkla un nosūcot ventilācijas atveres un restes, filtrus, ja tādi ir pieejami.
26. Nelietojiet šo ierīci logā, jo lietūs var izraisīt elektrošoku.
27. Nepievienojiet ierīci strāvas avotam, kamēr tā nav uzstādīta gala stāvoklī un novietota lietošanai paredzētajā stāvoklī.
28. Ar šo ierīci nav ieteicams izmantot pagarinātāju.
29. Nenovietojiet vadu zem paklājiem, paklājiem, paklājiem utt. Glabājiet vadu prom no vietām, kur tas var pārkāpt.
30. Nelietojiet šo ierīci ar programmētāju, taimeri vai jebkuru citu ierīci, kas automātiski ieslēdz sildītāju, jo, nepareizi nosedzot vai novietojot ierīci, pastāv ugunsgrēka risks.
31. Lai izvairītos no nejaušas termiskās atslēgšanas atiestatīšanas, šo ierīci nedrīkst darbināt ar ārēju komutācijas ierīci, piemēram, pulksteni, un tā nedrīkst būt pievienota ķēdei, kuru regulāri ieslēdz un izslēdz elektrotīkls.
32. Nesamitriniet ierīci. Ja ierīce nokrīt ūdenī, nekavējoties atvienojiet kontaktdakšu no kontaktligzdas. Neievietojiet rokas ūdenī, kad ierīce ir pievienota elektrotīklam. Pirms atkārtotas lietošanas tā jāpārbauda pilnvarotā servisa centrā. Vienmēr, kad to noliekat, ierīcei jābūt izslēgtai.
34. Nekad neieslēdziet ierīci, ja tvertne nav piepildīta ar ūdeni.
35. Izmantojiet tikai tīru, vēsu ūdeni.
36. Nelejiet ūdeni tvertnē virs maksimālā līmeņa. Negremdējiet ierīces pamatni.
38. Tvertnē, pamatnē vai tvaika izvadā nepievienojiet nekādas ķīmiskas vielas.

Nepievienojiet ūdenim aromātiskās eļļas, sāli, atkaļķošanas tabletes, pulverus vai tīrīšanas līdzekļus.

39. Uzpildes vāciņam / ūdens tvertnes vākam vienmēr jābūt pieskrūvētam / aizvērtam.

40. Rūpējieties, lai gaisa mitrinātāja ūdens miglas izeja nenorādītu tieši uz sienām, mēbelēm, elektrības kontaktligzdām, elektriskām un elektroniskām ierīcēm un bērniem. Pārāk liels mitrums telpā var izraisīt mitruma uzkrāšanos, izraisot baktēriju un sēnīšu augšanu un sabojājot sienas, mēbeles un tapetes.

41. Nebloķējiet ierīces ventilāciju. Turieties vismaz 100 cm attālumā no ierīces. Nebloķējiet ūdens miglas izplūdi, izmantojot mitrinātāja funkciju.

42. Nelietojiet ierīci vietās, kur pastāv kondensācijas risks. Mitrums var veidoties ierīces iekšpusē un ārpusē, ja:

- ierīci pārvieta no aukstas uz siltu vietu,
- tikko ir ieslēgta apkures sistēma,
- ierīci izmanto telpā ar augstu mitruma līmeni,
- ierīci atdzesē gaisa kondicionēšanas dzesēšanas sistēma.

Ja ierīcē rodas mitruma kondensācija, tā var nedarboties pareizi vai ārkārtējos gadījumos var tikt bojāta. Šajā gadījumā nelietojiet ierīci un atstājiet to nožūt vairākas stundas.

43. Nenolieciet, neapkrieti un nemēģiniet uzpildīt vai ielej ūdeni no ierīces, kamēr tā darbojas.

44. Nenovietojiet rezervuāru no ierīces pamatnes, kamēr darbojas mitrinātāja funkcija.

45. Piepildīta ūdens tvertne ir smaga. Pārņēsājot, turiet to arī zem.

46. Nelietojiet ierīci, ja ir ūdens noplūde.

47. Neatstājiet ūdeni tvertnē, kad mašīna netiek lietota.

Pēc katra ierīces lietošanas cikla notīriet mitrinātāju. Izpildiet tīrīšanas instrukcijas šajā rokasgrāmatā.

49. Nekad neļaujiet tvertnē palikt nogulsnēm, mitrumam vai ūdenim (tas var izraisīt piesārņojumu vai pat sabojāt ultraskaņas izsmidzinātāju).

50. Ierīces ilgstošas darbības laikā mitrinātāja emitētā ūdens migla var nokrist uz grīdas un izraisīt mitrumu.

**BRĪDINĀJUMS:** Nelietojiet šo sildītāju mazās telpās, kur ir cilvēki, kuri paši nespēj tos pamest, ja vien netiek nodrošināta pastāvīga uzraudzība.

**BRĪDINĀJUMS:** Lai samazinātu ugunsgrēka risku, tekstilizstrādājumus, aizkarus vai citus viegli uzliesmojošus materiālus turiet vismaz 1 m attālumā no sildītāja gaisa izplūdes vietas.



"Uzmanīgi karstā virsma" - pieejamo virsmu temperatūra ekspluatācijas laikā var būt augstāka, kas nozīmē, ka korpusa elementi ekspluatācijas laikā sakarst. UZMANĪBU !!!



**PIEZĪME:** Lai izvairītos no pārkaršanas, neaizsedziet sildītāju. Nepārsedziet ierīci ar drēbēm, segām vai citiem tekstilizstrādājumiem, kas var izraisīt aizdegšanos.



Nelietojiet ierīci ūdens tuvumā, piem. dušā, vannā vai virs izlietnes ar ūdeni.

#### MONTĀŽA

Pamatnes (10) montāža: Izlīdziniet pamatnes (10) četras fiksējošās skrūvju atveres ar pamatnes (10) skrūvju statņiem un pieskrūvējiet ar četrām pašvītņojošām skrūvēm, lai produkts tiktu lietots. Paskaties uz 2. attēlu.

## PRODUKTA APRAKSTS (1. attēls)

- |                          |                                 |
|--------------------------|---------------------------------|
| 1. Sausināta gaisa izeja | 2. Priekšējais displeja panelis |
| 3. Gaisa izeja           | 4. Korpus                       |
| 5. Gaisa iepļūde         | 6. Aizmugurējais vāks           |
| 7. Notekas vāks          | 8. Augšējie paneli              |
| 9. Notekas aizbāznis     | 10. Bāze                        |
| 11. Tālvadība            | 12. Barošanas slēdzis           |

Augšējā paneļa un priekšējā paneļa un tālvadības vadības marķējums - 3. attēls

A. Gaidīšanas poga

A1. Ventilatora funkcijas indikators

B. Taimera poga

B1. Taimera indikators

B2. Taimera / temperatūras / atdzišanas atpakaļskaitīšanas indikators

C. Taimera / temperatūras paaugstināšanas poga

D. Taimera / temperatūras samazināšanas poga

E. Poga sildīšanas līmeņa regulēšanai

E1. Zema apkures līmeņa indikators

E2. Augsta apkures līmeņa indikators

F. Svārstību poga

G. Mitrinātāja funkcijas poga

G1. Mitrinātāja indikators

H. Temperatūras vienības indikators

## LIETOŠANA

1. Ieslēgšana: novietojiet ierīci uz stabilas grīdas un ievietojiet kontaktdakšu kontaktligzdā. Ieslēdziet strāvas slēdzi (12) izstrādājuma aizmugurē. "I" ir ieslēgts, "0" ir izslēgts. Šajā laikā ierīce ir gaidīšanas režīmā, displejā redzama apkārtējā temperatūra (B2), un iedegsies temperatūras vienības indikators (H).

2. Ventilators

Nospiediet pogu (A), iedegsies indikators (A1), un ventilators darbojas (gaisa plūsma istabas temperatūrā).

3. Apkure

Nospiediet pogu (E) vienreiz, lai sildītu ar zemu līmeni ~ 1500W, displejā iedegas indikators (E1).

Divreiz nospiediet pogu (E), lai iegūtu 2200 W augsta līmeņa apkuri, displejā iedegsies abi indikatori (E1 + E2).

Vēlreiz nospiediet pogu (E), lai atceltu apkuri.

TIMER funkcija: Atkārtoti nospiediet pogu (B), lai iestatītu periodu, pēc kura ierīce pati izslēgsies (no 1,0 līdz 12,0 stundām, ar 60 minūšu soli). Tajā pašā laikā taimera indikatora (B1) gaismas displejs.

OSCILĒŠANAS funkcija: Nospiediet pogu (F), lai aktivizētu svārstības, ierīce šūposies pa labi un pa kreisi, lai vienmērīgi sadalītu izplūdes gaisu. Nospiediet vēlreiz pogu (F), lai atceltu svārstību funkciju.

## TEMPERATŪRAS Pielāgošana

Noregulējiet istabas temperatūru, nospiežot pogu (D) vai (C). Pēc noklusējuma iestatītā temperatūra ir 25 ° C. Temperatūras diapazons no 10-35 ° C. Nospiediet pogu (D), lai paaugstinātu vēlamo temperatūru, un nospiediet pogu (C), lai pazeminātu vēlamo temperatūru.

Ierīce ir saprātīgi ieprogrammēta, tā izvēlas darba līmeni starp zemu vai augstu siltumu atbilstoši vēlamajai temperatūrai un pašreizējai apkārtējai temperatūrai.

## MITRINĀŠANAS FUNKCIJA

Sākumā ielejiet ūdeni ūdens tvertnē (13) saskaņā ar tālāk aprakstīto instrukciju. Lai ūdeni ielej ūdens tvertnē (13), vispirms atvienojiet ierīci no tīkla. Pēc tam nospiediet un pavelciet ārpus aizmugurējā vāka (6) izvirzītās daļas - skatieties 4. attēlu. Izņemiet ūdens tvertni (13) no korpusa, atskrūvējiet ūdens tvertnes (13) aizbāzni pretēji pulksteņrādītāja kustības virzienam, ielejiet tīru ūdeni (nē pievienotas ēteriskās eļļas) un cieši pieskrūvējiet kontaktdakšu. Ielieciet ūdens tvertni (13) korpusa iekšpusē. Pareizi novietojiet vāku uz divām aizbīdņu vietām un piespiediet to, lai aizvērtu.

Mitrināšanas funkciju var izmantot normāli. Pievienojiet ierīci elektrotīklam.

Nospiediet pogu (G), izstrādājums ieslēdz mitrināšanas funkciju, iedegas mitrināšanas indikators (G1). Vēlreiz nospiediet pogu (G), lai izslēgtu mitrināšanas funkciju, tajā pašā laikā mitrināšanas indikators (G1) tiks izslēgts. Mitrināšanas funkciju var izmantot arī atsevišķi, ja ventilatora / sildīšanas funkcija ir izslēgta, bet barošana ir ieslēgta.

Lai iztukšotu ūdeni, atveriet notekas vāku (7), pavelciet iztukšošanas aizbāzni (9) un notecinošo ūdeni iztukšojiet piemērotā tvertnē.

Ja ierīci ilgstoši neizmanto, tvertnē esošais ūdens jāiztukšo.

Ierīces darbībai piemērojamie vides apstākļi:

- sildīšanas funkcijas izmantošanas temperatūra ir no -20 ° C līdz 25 ° C.

- mitrinātāja funkcijas izmantošana temperatūrā no 5 ° C līdz 40 ° C un relatīvais mitrums ir mazāks par 80%.

Lai izslēgtu ierīci, vēlreiz nospiediet pogu (A). Tad ventilators 30 sekunžu laikā atdzēsēs sildelementu korpusa iekšpusē, pēc tam ventilators automātiski izslēgsies. Ja ierīcei iepriekš nav iestatīta apkures funkcija, tā pāriet tieši gaidīšanas režīmā.

Priekšējā displeja paneļa apgaismojuma izslēgšana (2): Kad ierīce darbojas 10 minūtes, tā automātiski ieslēdzas gaismas izslēgšanas ekrāna režīmā, nospiediet jebkuru taustiņu, lai apgaismotu ekrānu.

Tälvadības pulsts: pirms tälvadības pulsts (11) izmantošanas noņemiet plastmasas folijas gabalu tälvadības pulsts labajā pusē. Tälvadības pulsts darbība ir tāda pati kā augšējā paneļa (8) rokas vadība.

Kā nomainīt tälvadības pulsts akumulatoru:

1. Baterijas vāciņu var atvērt ar monētu vai tamlīdzīgu.
2. Ievietojiet pogas akumulatoru, pievērsiet uzmanību akumulatora polaritātei ("+" uz augšu un "-" ar seju uz leju).
3. Nosedziet akumulatora vāku.

#### TĪRĪŠANA UN APKOPE

1. Pārlicinieties, ka ierīce nav karsta.
2. Pirms ierīces tīrīšanas noņemiet kontaktdakšu no kontaktlīdzas.
3. Glabājiet gaisa ieplūdes un izplūdes atveres tīras. Neļaujiet putekļiem uzkrāties uz atverēm.
4. Notīriet korpusu, izmantojot tikai sausu vai mitru drānu.
5. Neiegremdējiet ierīci ūdenī!

#### TEHNISKIE DATI:

Jauda: 2200W

Barošanas avots: 220-240V ~ 50Hz



Apkārtējās vides aizsardzība. Kartona iepakojumu, lūdzu, nododiet atreizējai pārstrādei. Polietilēna maisiņus (PE) izmest plastmasas izstrādājumiem paredzētajos konteineros. Lietotās elektropreces nododiet attiecīgajos pieņemšanas punktos. Ierīcē satur bīstamas sastāvdaļas, kas var izraisīt draudus apkārtējai videi. Elektroierīce jānodod tā, lai ierobežotu tās atkārtotu izmantošanu. Ja ierīcē atrodas baterijas, izņemiet tās un nododiet pieņemšanas punktā atsevišķi. Produktu neizmest sadzīves atkritumu konteinerā!

## EESTI

### ÜLDISED OHUTUSTINGIMUSED TÄHTISED OHUTUSJUHISED LUGEGE

Hoolikalt ja Hoidke tulevast viidet

1. Enne seadme kasutamist lugege kasutusjuhendit ja järgige selles sisalduvaid juhiseid. Tootja ei vastuta kahjude eest, mis on põhjustatud seadme kasutamisest vastuolus selle ettenähtud otstarbega või ebaõige käitamisega.
2. Seade on mõeldud ainult koduseks kasutamiseks. Ärge kasutage muuks otstarbeks, mis ei vasta ettenähtud otstarbele.
3. Seade peaks olema ühendatud 220-240V ~ 50 / 60Hz. Kasutusohutuse suurendamiseks ei tohiks paljusid elektriseadmeid korraga ühendada ühe elektriskeemiga.
4. Olge seadme kasutamisel eriti ettevaatlik, kui lapsed on läheduses. Ärge lubage lastel seadmega mängida ja ärge lubage last ega seadet tundmatutel inimestel seda kasutada.
5. HOIATUS. Seda seadet võivad kasutada üle 8-aastased lapsed ja piiratud kehaliste, sensorsete või vaimsete võimetega inimesed või inimesed, kellel pole seadmete kohta kogemusi ega teadmisi, kui seda tehakse seadme eest vastutava isiku järelevalve all. nende ohutus või kui neile on antud juhised seadme ohutuks kasutamiseks ning nad on teadlikud seadme kasutamisega seotud ohtudest. Lapsed ei tohiks seadmetega mängida. Lapsed ei tohi koristada ega kasutajaid hooldada, välja arvatud juhul, kui nad on üle 8-aastased ja neid toiminguid tehakse järelevalve all.
6. Eemaldage pistik pistikupesast alati pärast kasutamist, hoides pistikupesaga käega. ÄRGE tõmmake juhtmest kinni.
7. Ärge kastke kaablit, pistikut ega kogu seadet vette ega muusse vedelikku. Ärge jätke seadet ilmastikutingimustele (vihm, päike jne) ega kasutage seda kõrge õhuniiskusega tingimustes (vannitoad, niisked haagissuvilad).

8. Kontrollige perioodiliselt toitejuhtme seisukorda. Kui toitejuhe on kahjustatud, tuleks see ohu vältimiseks asendada spetsialiseeritud remonditöökojaga.
9. Ärge kasutage seadet, kui toitejuhe on kahjustatud või kui see on mingil viisil maha kukkunud või kahjustatud või kui see ei tööta korralikult. Ärge parandage seadet ise, kuna see võib põhjustada elektrilöögi. Viige kahjustatud seade kontrollimiseks või parandamiseks vastavasse hoolduskeskusesse. Mis tahes remonditöid võivad teha ainult volitatud hoolduspunktid. Valesti teostatud remont võib kasutajale tõsist ohtu kujutada.
10. Asetage seade jahedale, stabiilsele, ühtlasele pinnale, eemale kütteseadmetest nagu: elektripliit, gaasipõleti jne.
11. Ärge kasutage seadet tuleohtlike materjalide läheduses.
12. Täiendava kaitse saavutamiseks on soovitatav elektriahelasse paigaldada jääkvooluseade (RCD), mille nimivajuvool ei ületa 30 mA. Sellega seoses pöörduge palun elektriku poole.
13. Kui seadet kasutatakse vannitoas, eemaldage pärast kasutamist pistik pistikupesast, kuna vee lähedus on ohtlik isegi siis, kui seade on välja lülitatud.
14. Ärge pange oma sõrmi ega esemeid ega metallist võõrkehi toote sisse, läbi ventilatsioonivõre ja muude pilude, vastasel juhul võib see põhjustada elektrilöögi või talitlushäireid.
15. Ärge pange seadme peale esemeid. Ventilatsiooniavad ei tohi olla kaetud rätikuga, kardinaga jne. See võib seadet kahjustada või põhjustada tulekahju.
16. Seade kuumeneb töötamise ajal, ärge puudutage seadme kuumaid osi. Ärge puudutage seadet märgade kätega.
17. Kui konvektor saab märjaks või mõni objekt kukub läbi konvektori ventilatsioonivõre, lülitage see kohe välja ja ühendage see vooluvõrgust lahti. Enne uuesti käivitamist konvektori abil pöörduge teenuse poole.
18. Ärge asetage masinat otse pistikupesa alla.
19. Enne vooluvõrgust lahutamist lülitage seade alati nuppude abil välja.
20. Ärge kasutage seda seadet, kui see on maha visatud.
21. Ärge kasutage, kui seadme kahjustumisel on nähtavaid märke.
22. Kasutage kütteseadet tasasel ja stabiilsel pinnal või kinnitage see seinale, kui tootja seda ette näeb.
23. Kõik esemed peaksid olema seadme esi- ja külgmistest vähemalt 1 meetri kaugusel.
24. Ärge sisestage ega lase võõrkehadel ventilatsiooni- või väljalaskeavadesse siseneda, kuna see võib põhjustada elektrilööki, tulekahju või toodet kahjustada.
25. Ülekuumenemise levinud põhjus on seadme sees olev tolmu või kiud. Veenduge, et need hoiused eemaldatakse regulaarselt, eemaldades seadme vooluvõrgust ja tolmuimejaga ventilatsiooniavad ja võred, filtrid, kui need on olemas.
26. Ärge kasutage seda seadet aknas, kuna vihm võib põhjustada elektrilöögi.
27. Ärge ühendage seadet toiteallikaga enne, kui see on paigaldatud lõppasendisse ja

asetatud kasutamiseks.

28. Selle seadmega ei ole soovitatav kasutada pikendusjuhet.

29. Ärge asetage juhet vaipade, vaipade, vaipade jms alla. Hoidke juhet eemal kohtadest, kus see võib üle minna.

30. Ärge kasutage seda seadet koos programmeerija, taimeri ega mõne muu seadmega, mis lülitab kütteseadme automaatselt sisse, kuna seadme katmise või vale asetamise korral on tuleoht.

31. Termilise väljalülituse tahtmatu lähtestamise ohu vältimiseks ei tohi seda seadet toita välimine lülitusseade, näiteks kell, ega ühendada vooluahelaga, mida vooluvõrk regulaarselt sisse ja välja lülitab.

32. Ärge laske seadet märjaks teha. Kui seade kukub vette, lahutage pistik kohe pistikupesast. Ärge pange oma käsi vette, kui seade on vooluvõrku ühendatud. Enne uuesti kasutamist tuleb seda kontrollida volitatud teeninduskeskuses.

33. Seade peaks alati välja lülitama, kui selle maha panete.

34. Ärge kunagi lülitage seadet sisse, kui paak pole veega täidetud.

35. Kasutage ainult puhast jahedat vett.

36. Ärge valage vett mahutisse üle maksimaalse taseme.

37. Ärge uputage seadme alust.

38. Ärge lisage paaki, alusele ega auru väljalaskeavasse kemikaale. Ärge lisage vette aroomiõlisid, soola, katlakivi eemaldamise tablette, pulbreid ega puhastusvahendeid.

39. Täitekork / veepaagi kate tuleks alati kogu aeg kinni keerata / sulgeda.

40. Hoolitsege selle eest, et õhuniisutaja veeudu väljalaskeava ei oleks suunatud otse seinte, mööbli, pistikupesade, elektri- ja elektroonikaseadmete ning laste poole. Ruumi liiga palju niiskust võib põhjustada niiskuse kogunemist, põhjustades bakterite ja seente kasvu ning kahjustades seinu, mööblit ja tapeet.

41. Ärge blokeerige seadme ventilatsiooni. Hoidke seadmest vähemalt 100 cm kaugust.

Ärge blokeerige niisutaja funktsiooniga veeauru väljalaskeava.

42. Ärge kasutage seadet kondenseerumise ohu korral. Niiskus võib tekkida seadme seest ja väljast, kui:

- seade viiakse külmast sooja kohta,
- küttesüsteem on äsja sisse lülitatud,
- seadet kasutatakse kõrge õhuniiskusega ruumis,
- seadet jahutab kliimaseadme jahutussüsteem.

Kui seadmes tekib niiskuse kondenseerumine, ei pruugi see korralikult töötada või äärmuslikel juhtudel võib see kahjustuda. Sellisel juhul ärge kasutage seadet ja laske sellel mitu tundi kuivada.

43. Ärge kallutage, kukutage ümber ega proovige seadmest töötamise ajal vett täita ega valada.

44. Ärge eemaldage mahutiit seadme põhjast, kui õhuniisutaja funktsioon töötab.

45. Täidetud veepaak on raske. Kandmisel hoidke seda ka all.

46. Ärge kasutage seadet veelekke korral.

47. Ärge jätke vett paaki, kui masinat ei kasutata.

48. Pärast seadme igat kasutustsükli puhastage õhuniisuti. Järgige selles juhendis toodud puhastamisjuhiseid.

49. Ärge kunagi laske settel, niiskusel ega veel paaki jääda (see võib põhjustada saastumist või isegi kahjustada ultraheli pihustit).

50. Seadme pikaajalisel töötamisel võib õhuniisutaja eraldatav veeudu põrandale langeda ja põhjustada niiskust.

HOIATUS: Ärge kasutage seda kütteseadet väikestes ruumides, kus on inimesi, kes ei suuda neid ise jätta, välja arvatud juhul, kui on tagatud pidev järelevalve.

HOIATUS: Tuleoahu vähendamiseks hoidke tekstiile, kardinaid või muid kergestisüttivaid materjale küttekeha õhu väljalaskeavast vähemalt 1 m. kaugusel.



"Ettevaatlikult kuum pind" - juurdepääsetavate pindade temperatuur võib töötamise ajal olla kõrgem, mis tähendab, et korpuse elemendid töötamise ajal kuumenevad. ETTEVAATUST !!!



MÄRKUS. Ülekuumenemise vältimiseks - ärge katke kütteseadet. Ärge katke seadet riiete, tekkide ega muude tekstiilidega, mis võivad põhjustada süttimist.



Ärge kasutage seadet vee lähedal, nt. duši all, vannis või veega valamul kohal.

## MONTAGE

Aluse (10) montaaž: joondage aluse (10) neli kinnituskruvi auku aluse (10) kruvipostidega ja toote kasutuselevõtmiseks keerake nelja isekeermeestava kruviga. Vaadake joonist 2.

## TOOTE KIRJELDUS (joonis 1)

- |                                  |                     |
|----------------------------------|---------------------|
| 1. Niisutatud õhu väljalaskeava. | 2. Esikuva paneel   |
| 3. Õhu väljalaskeava             | 4. Korpus           |
| 5. Õhu sisselaskeava             | 6. Tagakate         |
| 7. Tühjenduskate                 | 8. Ülemine paneelid |
| 9. Tühjendus pistik              | 10. Alus            |
| 11. Kaugjuhtimine                | 12. Toitelüliti     |

## Ülemine paneel ja esipaneel ning kaugjuhtimispuldi märgistus - joonis 3

- A. Ooterežiimi nupp
- A1. Ventilaatori funktsiooni indikaator
- B. Taimeri nupp
- B1. Taimeri indikaator
- B2. Taimeri / temperatuuri / jahtumise loenduri indikaator
- C. Taimeri / temperatuuri tõstmise nupp
- D. Taimeri / temperatuuri langetamise nupp
- E. Kütetaseme reguleerimise nupp
- E1. Madal kütetaseme indikaator
- E2. Kõrge kütetaseme indikaator
- F. Võnkumisnupp
- G. Niisutaja funktsiooni nupp
- G1. Niisutaja indikaator
- H. Temperatuurihüliku indikaator

## KASUTAMINE

1. Toide sisse: Asetage seade stabiilsele põrandale ja pange pistik pistikupesasse. Lülitage toote tagaküljel olev toitelüliti (12) sisse. "I" tähendab sisselülitatud, "0" tähendab välja lülitatud. Sel ajal on seade ooterežiimis, ekraanil kuvatakse ümbritseva õhu temperatuur (B2) ja temperatuurihüliku indikaator (H) süttib.

2. Ventilaator

Vajutage nuppu (A), indikaator (A1) süttib ja ventilaator töötab (voolake õhu toatemperatuuril).

3. Küte

Vajutage üks kord nuppu (E), kui soovite ~ 1500W madalat kütmist, ekraanil süttib indikaator (E1).

Vajutage kaks korda nuppu (E) 2200W kõrgetasemelise kütte jaoks, ekraanil süttib mõlemad indikaatorid (E1 + E2).

Kütmise tühistamiseks vajutage uuesti nuppu (E).

Taimerifunktsioon: Vajutage korduvalt nuppu (B), et määrata ajavahemik, mille möödudes seade ise välja lülitub (vahemikus 1,0 kuni 12,0 tundi, 60-minutistele sammudega). Samal ajal süttib taimerid indikaator (B1).

Funktsioon võnkumine: võnkumise aktiveerimiseks vajutage nuppu (F), seade kiigub heitõhu ühtlaseks jaotamiseks paremale ja vasakule. Võnkefunktsiooni tühistamiseks vajutage uuesti nuppu (F).

### TEMPERATUURI REGULEERIMINE

Toatemperatuuri reguleerimiseks vajutage nuppu (D) või (C). Vaikimisi seadistustemperatuur on 25 ° C. Temperatuurivahemik 10-35 ° C. Soovitud temperatuuri tõstmiseks vajutage nuppu (D) ja soovitud temperatuuri langetamiseks vajutage nuppu (C). Seade on intelligentset programmeeritud, see valib töötase madala või kõrge kuumuse vahel vastavalt soovitud temperatuurile ja praegusele ümbritsevale temperatuurile.

### Niisutusfunktsioon

Esmalt valage vesi veepaaki (13) vastavalt allpool kirjeldatud juhistele. Vee valamiseks veepaaki (13) eemaldage seade kõigepealt vooluvõrgust. Seejärel vajutage allapoole ja tõmmake tagakaane (6) väljalaulut osa välja - vaadake joonist 4. Võtke veepaak (13) korpusest välja, keerake veemahuti (13) pistik lahti vastupäeva, valage puhta veeaga (ei lisatud eeterlikud õlid) ja keerake pistik tihedalt kinni. Pange veepaak (13) korpuse sisse. Asetage kaas kahele riivkohale korralikult ja lükake see sulgemiseks.

Niisutusfunktsiooni saab kasutada normaalselt. Ühendage seade vooluvõrku.

Vajutage nuppu (G), toode lülitab sisse niisutusfunktsiooni, süttib märgutuli (G1). Niisutusfunktsiooni väljalülitamiseks vajutage uuesti nuppu (G), samal ajal põleb ka niisutusindikaator (G1). Niisutusfunktsiooni saab kasutada eraldi ka siis, kui ventilaatori / kütte funktsioon on välja lülitatud, kuid toide on sisse lülitatud.

Vee tühendamiseks avage äravoolukate (7), tõmmake tühendus kork (9) ja tühendage meenutav vesi sobivasse paaki.

Kui seadet pikka aega ei kasutata, tuleks paagis olev vesi ära juhtida.

Seadme töötamiseks kohaldatavad keskkonnatingimused:

- kuumusfunktsiooni kasutustemperatuur on vahemikus -20 ° C kuni 25 ° C.

- niisutaja funktsiooni kasutamine temperatuurivahemikus 5 ° C kuni 40 ° C ja suhteline õhuniiskus alla 80%.

Seadme väljalülitamiseks vajutage uuesti nuppu (A). Seejärel jahutab ventilaator korpuse sees olevat kütteelementi 30 sekundi jooksul, järgmiseks lülitub ventilaator automaatselt välja. Kui seadet pole varem küttesfunktsiooniks seatud, läheb see otse ooterežiimi.

Esiekraanipaneeli valgustus (2): kui seade on 10 minutit töötanud, lülitub see automaatselt ekraani valguse väljalülitamise režiimi, ekraani valgustamiseks vajutage suvalist klahvi.

Kaugjuhtimispuhl: Enne kaugjuhtimispuhli (11) kasutamist eemaldage kaugjuhtimispuhli paremal küljel olev plastkile. Kaugjuhtimispuhl on sama mis ülemise paneeli (8) käsitsi juhtimine.

### KUIDAS KAUGJUHTIMISPATAREI MUUTA:

1. Aku kaane saab avada mündi vms abil.

2. Paigaldage nupu patarei, pöörake tähelepanu aku polaarsusele ("+" näoga ülispoole ja "-" näoga allapoole).

3. Katke patarei kaas.

### PUHASTUS JA HOOLDUS

1. Veenduge, et seade pole kuum.

2. Enne seadme puhastamist eemaldage pistik pistikupesast.

3. Hoidke õhu sisse- ja väljalaskevavad puhtana. Ärge laske tolmu koguneda avadesse.

4. Puhastage korpust ainult kuiva või niiske lapiga.

5. Ärge kastke seadet vette!

### TEHNILISED ANDMED:

Võimsus: 2200W

Toide: 220-240V ~ 50Hz



Hoolitse keskkonnakaitse eest.. Kartongist pakendid vii makulatuuri. Kilekotid (PE) viska kasutatud plastiku jaoks ettenähtud mahutitesse. Kasutatud seadmed vii selleks ettenähtud kogumispunktidesse, sest seadmes leiduvad ohtlikud elemendid võivad olla kahjulikud keskkonnale. Elektriseadmed tuleb anda nii ära, et seadet ei saaks enam uuesti kasutada. Kui seadmes on patareid, tuleb need välja võtta ja anda eraldi kogumispunkti. Seadet ei tohi visata olmejäätmete konteineritesse!!



CONDIȚII GENERALE DE SIGURANȚĂ  
INSTRUCȚIUNI IMPORTANTE DE SIGURANȚĂ CITIȚI CU ATENȚIE ȘI PĂSTRAȚI  
PENTRU REFERINȚA VIITORĂ

1. Înainte de a utiliza dispozitivul, citiți instrucțiunile de utilizare și urmați instrucțiunile conținute în acesta. Producătorul nu este răspunzător pentru daunele cauzate de utilizarea dispozitivului contrar utilizării intenționate sau a funcționării necorespunzătoare.
2. Aparatul este doar pentru uz casnic. Nu utilizați în alte scopuri care nu sunt conforme cu destinația sa.
3. Dispozitivul ar trebui să fie conectat la 220-240V ~ 50 / 60Hz. Pentru a crește siguranța utilizării, multe dispozitive electrice nu trebuie conectate simultan la un singur circuit electric.
4. Fiți deosebit de atenți atunci când utilizați dispozitivul atunci când copiii se află în apropiere. Nu permiteți copiilor să se joace cu dispozitivul și nu permiteți copiilor sau persoanelor care nu sunt familiarizați cu dispozitivul să îl folosească.
5. AVERTISMENT: Acest echipament poate fi utilizat de copii cu vârsta peste 8 ani și de persoane cu abilități fizice, senzoriale sau mentale reduse sau persoane fără experiență sau cunoștințe despre echipament, dacă acest lucru se face sub supravegherea unei persoane responsabile de siguranța acestora sau li s-au furnizat instrucțiuni privind utilizarea în siguranță a dispozitivului și sunt conștienți de pericolele asociate cu utilizarea acestuia. Copiii nu trebuie să se joace cu echipamentul. Curățarea și întreținerea utilizatorului nu trebuie efectuate de copii, cu excepția cazului în care au peste 8 ani și aceste activități sunt efectuate sub supraveghere.
6. Întotdeauna după utilizare, scoateți ștecherul din priză ținând priza cu mâna. NU trageți de cablu.
7. Nu introduceți cablul, mufa și întregul dispozitiv în apă sau în orice alt lichid. Nu expuneți dispozitivul la condiții meteorologice (ploaie, soare etc.) și nu îl folosiți în condiții de umiditate ridicată (băi, case mobile umede).
8. Verificați periodic starea cablului de alimentare. Dacă cablul de alimentare este deteriorat, acesta trebuie înlocuit de un atelier de reparații specializat pentru a evita pericolele.
9. Nu utilizați aparatul dacă cablul de alimentare este deteriorat sau dacă a fost scăpat sau deteriorat în vreun fel sau dacă nu funcționează corect. Nu reparați singur dispozitivul, deoarece poate provoca electrocutare. Luați dispozitivul deteriorat la un centru de service adecvat pentru inspecție sau reparații. Orice reparații pot fi efectuate numai de punctele de service autorizate. Reparațiile efectuate incorect pot reprezenta o amenințare gravă pentru utilizator.
10. Așezați dispozitivul pe o suprafață rece, stabilă, uniformă, departe de aparatele de încălzit precum: aragaz electric, arzător cu gaz etc.
11. Nu utilizați dispozitivul lângă materiale inflamabile.
12. Pentru protecție suplimentară, este recomandabil să instalați un dispozitiv de curent rezidual (RCD) în circuitul electric cu un curent rezidual nominal care să nu depășească 30 mA. În acest sens, vă rugăm să consultați un electrician specialist.
13. Când dispozitivul este utilizat în baie, scoateți ștecherul din priză după utilizare, deoarece apropierea apei este un pericol chiar și atunci când dispozitivul este oprit.
14. Nu puneți degetele sau orice obiecte sau obiecte străine metalice în interiorul produsului, prin grila de ventilație și alte fante, altfel ar putea provoca electrocutare sau defecțiuni.
15. Nu puneți obiecte deasupra dispozitivului. Aerisirile nu trebuie să fie

acoperit de un prosop, perdeea etc. Acesta poate deteriora dispozitivul sau poate provoca un incendiu.

16. Dispozitivul se încălzește în timpul funcționării, nu atingeți părțile fierbinți ale dispozitivului. Nu atingeți dispozitivul cu mâinile ude.

17. Dacă convectorul se udă sau orice obiect cade grila de ventilație a convectorului, opriți-o imediat și deconectați-o de la rețea. Înainte de relansare utilizând convectorul, contactați serviciul.

18. Nu așezați mașina direct sub o priză electrică.

19. Opriți întotdeauna dispozitivul folosind butoanele înainte de a-l deconecta de la rețea.

20. Nu utilizați acest dispozitiv dacă a fost scâpat.

21. Nu utilizați dacă există semne vizibile de deteriorare a dispozitivului.

22. Utilizați încălzitorul pe o suprafață plană și stabilă sau atașați-l la perete, dacă este prevăzut de producător.

23. Toate articolele trebuie să fie la cel puțin 1 metru față și laturile dispozitivului.

24. Nu introduceți și nu permiteți obiectelor străine să pătrundă în orificiile de ventilație sau evacuare, deoarece acest lucru poate duce la electrocutare, incendiu sau deteriorarea produsului.

25. O cauză frecventă a supraîncălzirii este praful sau scame din interiorul dispozitivului. Asigurați-vă că aceste depuneri sunt îndepărtate în mod regulat deconectând unitatea și aspirând orificiile de ventilare și grilele, filtrele, dacă sunt disponibile.

26. Nu utilizați acest dispozitiv într-o fereastră, deoarece ploaia poate provoca electrocutare.

27. Nu conectați aparatul la o sursă de alimentare până când nu a fost instalat în poziția sa finală și plasat în poziția de utilizare.

28. Nu este recomandat să utilizați un cablu prelungitor cu acest dispozitiv.

29. Nu așezați cablul sub covoare, covoare, covoare etc. Păstrați cablul departe de locurile în care ar putea să se împiedice de el.

30. Nu utilizați acest dispozitiv cu un programator, temporizator sau orice alt dispozitiv care pornește automat încălzitorul, deoarece există riscul de incendiu dacă dispozitivul este acoperit sau plasat incorect.

31. Pentru a evita pericolul resetării accidentale a decuplării termice, acest aparat nu trebuie alimentat de un dispozitiv de comutare extern, cum ar fi un ceas, sau conectat la un circuit care este pornit și oprit în mod regulat de la rețea.

32. Nu udați dispozitivul. Dacă dispozitivul cade în apă, deconectați imediat ștecherul de la priză. Nu puneți mâinile în apă când dispozitivul este conectat. Înainte de reutilizare, acesta trebuie verificat de un centru de service autorizat.

33. Dispozitivul trebuie oprit ori de câte ori îl puneți jos.

34. Nu porniți niciodată dispozitivul atunci când rezervorul nu este umplut cu apă.

35. Folosiți numai apă curată și rece.

36. Nu turnați apă în rezervor peste nivelul maxim.

37. Nu scufundați baza dispozitivului.

38. Nu adăugați substanțe chimice în rezervor, bază sau ieșire de abur. Nu adăugați în apă uleiuri aromate, sare, tablete de detartrare, pulberi sau agenți de curățare.

39. Capacul de umplere / capacul rezervorului de apă trebuie întotdeauna înșurubat / închis în orice moment.

40. Aveți grijă ca orificiul de evacuare a apei umidificatorului să nu se îndrepte direct către

pereti, mobilier, prize electrice, dispozitive electrice și electronice și copii. Prea multă umiditate în cameră poate duce la acumularea de umiditate, provocând creșterea bacteriilor și ciupercilor și deteriorând pereții, mobilierul și tapetul.

41. Nu blocați ventilația dispozitivului. Păstrați o distanță de cel puțin 100 cm de dispozitiv. Nu blocați orificiul de evacuare a apei cu funcția umidificator.

42. Nu utilizați dispozitivul acolo unde există riscul de condens. Umezeala se poate forma în interiorul și în exteriorul aparatului atunci când:

- dispozitivul este mutat dintr-un loc rece într-un loc cald,
- sistemul de încălzire tocmai a fost pornit,
- dispozitivul este utilizat într-o cameră cu umiditate ridicată;
- dispozitivul este răcit de sistemul de răcire a aerului condiționat.

Când apare condensul de umezeală în dispozitiv, este posibil să nu funcționeze corect sau, în cazuri extreme, să fie deteriorat. În acest caz, nu utilizați dispozitivul și lăsați-l să se usuce câteva ore.

43. Nu înclinați, nu vă prăbușiți și nu încercați să reumpleți sau să turnați apă din dispozitiv în timp ce acesta funcționează.

44. Nu scoateți rezervorul de la baza dispozitivului în timp ce funcția umidificator este activă.

45. Un rezervor de apă umplut este greu. Când îl purtați, păstrați-l și dedesubt.

46. Nu utilizați dispozitivul dacă există o scurgere de apă.

47. Nu lăsați apă în rezervor atunci când mașina nu este în uz.

48. Curățați umidificatorul după fiecare ciclu de utilizare al dispozitivului. Urmăriți instrucțiunile de curățare din acest manual.

49. Nu permiteți niciodată sedimentului, umezelii sau apei să rămână în rezervor (acest lucru poate provoca contaminarea sau chiar deteriorarea atomizorului cu ultrasunete).

50. În timpul funcționării pe termen lung a dispozitivului, ceața de apă emisă de umidificator poate cădea pe podea și poate provoca umiditate.

**AVERTISMENT:** Nu utilizați acest încălzitor în încăperi mici în care există persoane care nu pot să le lase singure, cu excepția cazului în care este asigurată o supraveghere constantă.

**AVERTISMENT:** Pentru a reduce riscul de incendiu, țineți textilele, perdele sau alte materiale inflamabile la cel puțin 1 m distanță de orificiul de ieșire a aerului încălzitorului.



„Atenție suprafață fierbinte” - Temperatura suprafețelor accesibile poate fi mai mare în timpul funcționării, ceea ce înseamnă că elementele carcasei se încălzesc în timpul funcționării în timpul funcționării. PRUDENTĂ !!!



**NOTĂ:** Pentru a evita supraîncălzirea - nu acoperiți încălzitorul. Nu acoperiți dispozitivul cu haine, păături sau alte materiale textile care pot cauza aprinderea.



Nu utilizați dispozitivul lângă apă, de ex. la duș, cadă sau peste o chiuvetă cu apă.

## MONTAJ

Montajul bazei (10): Aliniați cele patru găuri de fixare ale șurubului de bază (10) cu stâlpii șuruburilor bazei (10) și înșurubați cu patru șuruburi autofiletante pentru a pune produsul în funcțiune. Uită-te la figura 2.

**DESCRIEREA PRODUSULUI (Figura 1)**

1. Ieșire de aer umidificată
2. Panou de afișare frontal
3. Ieșirea aerului
4. Carcasa
5. Admisia aerului
6. Capacul din spate
7. Capac de scurgere
8. Panouri superioare
9. Dop de golire
10. Baza
11. Telecomandă
12. Comutator de alimentare

## PANELUL SUPERIOR ȘI PANOUUL FRONTAL ȘI MARCAREA CONTROLULUI LA DISTANȚĂ - Figura 3

A. Buton de așteptare

A1. Indicator funcție ventilator

B. Butonul cronometru

B1. Indicator temporizator

B2. Temporizator / temperatură / indicator de numărare inversă de răcire

C. Buton cronometru / creștere temperatură

D. Buton cronometru / scădere temperatură

E. Buton de reglare a nivelului de încălzire

E1. Indicator nivel scăzut de încălzire

E2. Indicator de nivel ridicat de încălzire

F. Butonul de oscilație

G. Buton funcție umidificator

G1. Indicator umidificator

H. Indicator unitate de temperatură

### UTILIZARE

1. Porniți: plasați dispozitivul pe o podea stabilă și introduceți fișa în priză. Porniți întrerupătorul de alimentare (12) din spatele produsului. „I” înseamnă pornit, „0” înseamnă oprit. În acest moment, dispozitivul este în modul de așteptare, afișajul arată temperatura ambiantă (B2), iar indicatorul unității de temperatură (H) se va aprinde.

2. Ventilator

Apăsăți butonul (A), indicatorul (A1) se va aprinde și ventilatorul funcționează (curgeți aerul la temperatura camerei).

3. Încălzire

Apăsăți butonul (E) o dată pentru încălzirea la nivel scăzut ~ 1500W, afișajul se aprinde (E1).

Apăsăți butonul (E) de două ori pentru încălzirea la nivel înalt de 2200W, afișajul va aprinde ambele indicatoare (E1 + E2).

Apăsăți din nou butonul (E) pentru a anula încălzirea.

Funcția TIMER: Apăsăți în mod repetat butonul (B) pentru a seta o perioadă după care dispozitivul se va opri (între 1,0 oră - 12,0 ore, în pași de 60 de minute). În același timp, afișajul luminos al indicatorului temporizatorului (B1).

Funcția OSCILARE: Apăsăți butonul (F) pentru a activa oscilația, dispozitivul se va roti la dreapta și la stânga pentru a distribui uniform aerul evacuat. Apăsăți din nou butonul (F) pentru a anula funcția de oscilație.

### REGLAREA TEMPERATURII

Reglați temperatura camerei apăsând butonul (D) sau (C). Temperatura de setare implicită este de 25 ° C. Intervalul de temperatură de la 10-35 ° C. Apăsăți butonul (D) pentru a crește temperatura dorită și apăsați butonul (C) pentru a reduce temperatura dorită. Dispozitivul este programat inteligent, selectează nivelul de lucru între căldură scăzută sau mare în funcție de temperatura dorită și temperatura ambiantă actuală.

### FUNCȚIA DE UMIDIFICARE

La început turnați apa în rezervorul de apă (13) conform instrucțiunilor descrise mai jos. Pentru a turna apa în rezervorul de apă (13), deconectați dispozitivul la început. Apoi apăsați în jos și trageți în afara părții proeminente de pe capacul din spate (6) - uitați-vă la figura 4. Scoateți rezervorul de apă (13) din carcasă, deșurubați dopul rezervorului de apă (13) în sens invers acelor de ceasornic, turnați apă curată (nu uleiuri esențiale adăugate) și înșurubați bine ștecherul. Puneți rezervorul de apă (13) în interiorul carcasei. Așezați bine capacul pe două locuri de blocare și împingeți-l pentru a se închide.

Funcția de umidificare poate fi utilizată în mod normal. Conectați dispozitivul.

Apăsăți butonul (G), produsul pornește funcția de umidificare, indicatorul de umidificare (G1) se aprinde. Apăsăți din nou butonul (G) pentru a dezactiva funcția de umidificare, în același timp indicatorul de umidificare (G1) va fi oprit. Funcția de umidificare poate fi utilizată și separat atunci când funcția ventilator / încălzire este oprită, dar este pornită.

Pentru a scurge apa, deschideți capacul de scurgere (7), trageți dopul de scurgere (9) și scurgeți apa de reamintire în rezervorul adecvat.

Când dispozitivul nu este utilizat o perioadă lungă de timp, apa din rezervor ar trebui să fie golită.

Condiții de mediu aplicabile pentru funcționarea dispozitivului:

- funcția de încălzire utilizează temperatura cuprinsă între -20 ° C și 25 ° C.

- funcția umidificatorului se utilizează la temperaturi cuprinse între 5 ° C și 40 ° C și umiditatea relativă mai mică de 80%.

Pentru a opri dispozitivul, apăsați din nou butonul (A). Apoi, ventilatorul va răci elementul de încălzire din interiorul carcasei timp de 30 de secunde, apoi ventilatorul se va opri automat. Dacă dispozitivul nu este setat anterior cu funcția de încălzire, acesta va trece direct în standby.

Iluminarea de pe panoul de afișaj frontal (2): După ce dispozitivul funcționează timp de 10 minute, va intra automat în modul de oprire a luminii, apăsați orice tastă pentru a aprinde ecranul.

Telecomandă: Înainte de a utiliza telecomanda (11), scoateți piesa de folie de plastic din partea dreaptă a telecomenzii. Funcționarea telecomenzii este aceeași cu funcționarea manuală a panoului superior (8).

### CUM SE SCHIMBĂ BATERIA COMANDĂ DE LA DISTANȚĂ:

1. Capacul bateriei poate fi deschis cu o monedă sau altele asemenea.

2. Instalați butonul bateriei, acordați atenție polarității bateriei („+” cu fața în sus și „-” cu fața în jos).

3. Acoperiți capacul bateriei.

## CURATENIE SI MENTENANTA

1. Asigurați-vă că dispozitivul nu este fierbinte.
2. Înainte de a curăța dispozitivul, scoateți ștecherul din priză electrică.
3. Păstrați orificiile de intrare și ieșire a aerului curate. Nu permiteți colectarea prafului pe deschideri.
4. Curățați carcasa folosind numai cârpă uscată sau umedă.
5. Nu scufundați dispozitivul în apă!

## DATE TEHNICE:

Putere: 2200W

Alimentare: 220-240V ~ 50Hz



Din grija pentru mediul înconjurător. Ambalajele din carton vă rugăm să le transmiteți la centrele de maculatură. Sacii din polietilenă (PE) trebuie aruncați în recipientele pentru materialele plastice. Dispozitivul uzat trebuie transmis la punctul corespunzător de depozitare, deoarece componentele periculoase care se găsesc în dispozitiv pot fi foarte periculoase pentru mediul înconjurător. Dispozitivul electric trebuie transmis în așa fel încât să se limiteze utilizarea lui repetată. Dacă în dispozitiv se găsesc baterii acestea trebuie scoase și transmise către punctul de depozitare a acestora, separat.

## BOSANSKI

### OPŠTI USLOVI BEZBEDNOSTI

## VAŽNA UPUTSTVA O BEZBEDNOSTI MOLIMO VAS PAŽLJIVO PROČITAJTE I ČUVAJTE BUDUĆU REFERENCU

1. Prije upotrebe uređaja, pročitajte upute za uporabu i slijedite upute u njima. Proizvođač nije odgovoran za bilo kakvu štetu nastalu korištenjem uređaja suprotno namjeravanoj uporabi ili nepravilnim radom.
2. Uređaj je samo za kućnu upotrebu. Nemojte koristiti u druge svrhe koje nisu u skladu s namjenom.
3. Uređaj treba biti povezan na 220-240V ~ 50 / 60Hz. Da bi se povećala sigurnost upotrebe, mnogi električni uređaji ne bi trebali biti istovremeno povezani na jedan električni krug.
4. Budite posebno oprezni kada koristite uređaj kada su djeca u blizini. Ne dozvolite djeci da se igraju uređajem i ne dopustite da ga koriste djeca ili osobe koje nisu upoznate s uređajem.
5. UPOZORENJE: Ovu opremu mogu koristiti djeca starija od 8 godina i osobe smanjenih fizičkih, senzornih ili mentalnih sposobnosti ili osobe bez iskustva ili znanja o opremi, ako se to radi pod nadzorom osobe odgovorne za svoju sigurnost ili su im dostavljene upute za sigurnu upotrebu uređaja i svjesni su opasnosti povezanih s njegovom uporabom. Djeca se ne bi trebala igrati sa opremom. Čišćenje i održavanje korisnika ne smiju obavljati djeca, osim ako su starija od 8 godina i ako se te aktivnosti obavljaju pod nadzorom.
6. Uvijek nakon upotrebe, izvadite utikač iz utičnice držeći utičnicu rukom. NEMOJTE povlačiti kabel.
7. Ne potapajte kabl, utikač i čitav uređaj u vodu ili bilo koju drugu tečnost. Uređaj ne izlažite vremenskim uvjetima (kiša, sunce itd.) Niti ga koristite u uvjetima visoke vlažnosti (kupaonice, vlažne mobilne kućice).
8. Povremeno provjeravajte stanje kabela za napajanje. Ako je kabel za napajanje oštećen, treba ga zamijeniti u specijaliziranoj servisnoj radionici kako bi se izbjegla opasnost.
9. Ne koristite uređaj ako je kabel za napajanje oštećen ili ako je na bilo koji način ispušten ili oštećen ili ako ne radi ispravno. Ne popravljajte uređaj sami jer može prouzročiti električni udar. Odnosite oštećeni uređaj u odgovarajući servisni centar na pregled ili popravak. Popravke mogu izvoditi samo ovlašteni servisni centri. Nepravilno izvedeni popravci mogu ozbiljno ugroziti korisnika.
10. Uređaj postavite na hladnu, stabilnu, ravnu površinu, dalje od uređaja za grijanje kao

što su: električni štednjak, plinski gorionik itd.

11. Ne koristite uređaj u blizini zapaljivih materijala.

12. Za dodatnu zaštitu poželjno je u električni krug ugraditi uređaj za preostalu struju (RCD) s nominalnom preostalom strujom koja ne prelazi 30 mA. S tim u vezi, obratite se specijalističkom električaru.

13. Kada se uređaj koristi u kupaonici, izvadite utikač iz utičnice nakon upotrebe, jer je blizina vode opasnost čak i kada je uređaj isključen.

14. Ne stavljajte prste ili bilo kakve predmete ili metalne strane predmete unutar proizvoda kroz ventilacijsku rešetku i druge otvore, jer to može prouzrokovati električni udar ili kvar.

15. Ne stavljajte nikakve predmete na vrh uređaja. Otvori za odzračivanje ne smiju biti prekriven peškirom, zavesom itd. Može oštetiti uređaj ili izazvati požar.

16. Uređaj se zagrijava tokom rada, ne dodirujte vruće dijelove uređaja. Ne dodirujte uređaj mokrim rukama.

17. Ako se konvektor smooči ili padne bilo koji predmet ventilacijsku rešetku konvektora, odmah je isključite i odvojite od mreže. Prije ponovnog pokretanja pomoću konvektora obratite se servisu.

18. Ne stavljajte mašinu direktno ispod električne utičnice.

19. Uvijek isključite uređaj pomoću tipki prije nego što ga isključite iz električne mreže.

20. Ne koristite ovaj uređaj ako je pao.

21. Ne koristite ako postoje vidljivi znakovi oštećenja uređaja.

22. Koristite grijač na ravnoj i stabilnoj površini ili ga pričvrstite na zid, ako to predviđa proizvođač.

23. Svi predmeti trebaju biti udaljeni najmanje 1 metar od prednje i bočne strane uređaja.

24. Ne stavljajte i ne dopuštajte stranim predmetima da uđu u ventilacijske ili izduvne otvore jer to može dovesti do strujnog udara, požara ili oštećenja proizvoda.

25. Čest uzrok pregrijavanja je prašina ili vlakna unutar uređaja. Obavezno redovno uklanjajte te naslage isključivanjem uređaja i usisavanjem otvora i rešetki, filtera, ako su dostupni.

26. Ne koristite ovaj uređaj na prozoru jer kiša može prouzročiti električni udar.

27. Ne povezujte uređaj na izvor napajanja dok ga ne instalirate u krajnji položaj i ne postavite u položaj za upotrebu.

28. Ne preporučuje se upotreba produžnog kabla sa ovim uređajem.

29. Ne stavljajte kabel ispod tepiha, prostirki, prostirki itd. Kabel držite dalje od mjesta gdje bi se mogao spotaknuti o njega.

30. Ne koristite ovaj uređaj s programatorom, tajmerom ili bilo kojim drugim uređajem koji automatski uključuje grijač jer postoji opasnost od požara ako je uređaj pokriven ili nepravilno postavljen.

31. Da bi se izbjegla opasnost od nenamjernog resetiranja termalnog isključenja, ovaj uređaj ne smije se napajati vanjskim preklopnim uređajem, poput sata, niti povezati na krug koji se redovno uključuje i isključuje iz mreže.

32. Uređaj nemojte močiti. Ako uređaj padne u vodu, odmah izvucite utikač iz utičnice. Ne stavljajte ruke u vodu kad je uređaj priključen na struju. Prije ponovne upotrebe mora ga

provjeriti ovlašteni servisni centar.

33. Uređaj treba isključiti kad god ga odložite.

34. Nikada ne palite uređaj kada rezervoar nije napunjen vodom.

35. Koristite samo čistu, hladnu vodu.

36. Ne sipajte vodu u rezervoar iznad maksimalnog nivoa.

37. Ne potapajte bazu uređaja.

38. Ne dodavajte nikakve hemikalije u rezervoar, podnožje ili odvod pare. U vodu nemojte dodavati aromatična ulja, sol, tablete za uklanjanje kamenca, praške ili sredstva za čišćenje.

39. Poklopac punila / poklopac spremnika za vodu uvijek treba biti stalno zašrafljen / zatvoren.

40. Vodite računa da izlaz vodene maglice ovlaživača zraka ne usmjerava direktno prema zidovima, namještaju, električnim utičnicama, električnim i elektronskim uređajima i djeci. Previše vlage u sobi može dovesti do nakupljanja vlage, uzrokujući rast bakterija i gljivica i oštećujući zidove, namještaj i tapete.

41. Ne blokirajte ventilaciju uređaja. Držite se na udaljenosti od uređaja najmanje 100 cm. Ne blokirajte izlaz vodene magle funkcijom ovlaživača.

42. Ne koristite uređaj tamo gde postoji opasnost od kondenzacije. Vlaga se može stvoriti s unutarne i vanjske strane uređaja kada:

- uređaj se premješta sa hladnog na toplo mjesto,

- sistem grijanja je upravo uključen,

- uređaj se koristi u sobi sa visokom vlagom,

- uređaj se hladi sistemom za hlađenje klima uređaja.

Kada se u uređaju dogodi kondenzacija vlage, možda neće raditi ispravno ili u ekstremnim slučajevima može biti oštećen. U tom slučaju nemojte koristiti uređaj i ostavite ga da se suši nekoliko sati.

43. Nemojte se naginjati, padati ili pokušavati napuniti ili sipati vodu iz uređaja dok radi.

44. Nemojte uklanjati rezervoar sa baze uređaja dok radi funkcija ovlaživača.

45. Napunjen spremnik za vodu je težak. Kad ga nosite, držite ga i ispod.

46. Ne koristite uređaj ako curi voda.

47. Ne ostavljajte vodu u rezervoaru kada mašina nije u upotrebi.

48. Očistite ovlaživač zraka nakon svakog ciklusa upotrebe uređaja. Slijedite upute za čišćenje u ovom priručniku.

49. Nikada ne dopustite da talog, vlaga ili voda ostanu u spremniku (to može prouzrokovati kontaminaciju ili čak oštetiti ultrazvučni raspršivač).

50. Tijekom dugotrajnog rada uređaja, vodena magla koju emitira ovlaživač zraka može pasti na pod i uzrokovati vlagu.

**UPOZORENJE:** Ne koristite ovaj grijač u malim prostorijama u kojima ima ljudi koji ih ne mogu sami ostaviti, osim ako nije osiguran stalni nadzor.

**UPOZORENJE:** Da biste smanjili rizik od požara, držite tekstil, zavese ili druge zapaljive materijale najmanje 1 m od izlaza za vazduh iz grejača.



"Oprez vruća površina" - Temperatura pristupačnih površina može biti veća tokom rada, što znači da se elementi kućišta tokom rada zagrevaju tokom rada. OPREZ !!!



NAPOMENA: Da biste izbjegli pregrijavanje - ne pokrivate grijač. Ne prekrivajte uređaj odjećom, pokrivačima ili drugim tekstilom koji može prouzrokovati paljenje.



Ne koristite uređaj u blizini vode, npr. pod tušem, kadom ili preko umivaonika s vodom.

## MONTAGE

Montaža osnove (10): Poravnajte četiri rupe za vijke za pričvršćivanje osnove (10) sa stubovima za vijke osnove (10) i zavrnite sa četiri samoreza da biste proizvod stavili u upotrebu. Pogledajte sliku 2.

## OPIS PROIZVODA (slika 1)

- |                           |                          |
|---------------------------|--------------------------|
| 1. Vlažni izlaz zraka     | 2. Prednja ploča zaslona |
| 3. Izlaz iz zraka         | 4. Kućište               |
| 5. Ulaz za zrak           | 6. Nazad                 |
| 7. Poklopac za odvod      | 8. Gornji paneli         |
| 9. Ispusni čep            | 10. Baza                 |
| 11. Daljinsko upravljanje | 12. Prekidač napajanja   |

## OZNAKA GORNJE I PREDNJE PLOČE & DALJINSKOG UPRAVLJANJA - Slika 3

- A. Dugme pripravnosti  
 A1. Indikator funkcije ventilatora  
 B. Dugme tajmera  
 B1. Timer indikator  
 B2. Timera / temperature / indikatora odbrojavanja hlađenja  
 C. Tipka za mjerenje vremena / povećanje temperature  
 D. Tipka za odbrojavanje / smanjenje temperature  
 E. Tipka za regulaciju nivoa grijanja  
 E1. Indikator niskog nivoa grijanja  
 E2. Pokazatelj visokog nivoa grijanja  
 F. Dugme oscilacije  
 G. Funkcijsko dugme ovlaživača  
 G1. Indikator ovlaživača  
 H. Pokazatelj jedinice temperature

## UPOTREBA

- Uključivanje: Postavite uređaj na stabilan pod i umetnite utikač u utičnicu. Uključite prekidač za napajanje (12) na stražnjoj strani proizvoda. „I“ znači uključeno, „0“ znači isključeno. U ovom trenutku uređaj je u stanju pripravnosti, na ekranu se prikazuje temperatura okoline (B2), a indikator jedinice temperature (H) svijetli.
- Ventilator  
 Pritisnite dugme (A), indikator (A1) će zasvijetliti i ventilator radi (protok zraka na sobnoj temperaturi).
- Grijanje  
 Pritisnite tipku (E) jednom za nisko zagrijavanje ~ 1500W, zaslon svijetli indikator (E1).  
 Pritisnite tipku (E) dva puta za visoko zagrijavanje 2200W, zaslon će zasvijetliti oba indikatora (E1 + E2).  
 Ponovo pritisnite tipku (E) da isključite grijanje.

Funkcija TIMER: Pritisnite tipku (B) više puta da biste postavili period nakon kojeg će se uređaj sam isključiti (između 1,0 sata - 12,0 sati, u koracima od 60 minuta). Istovremeno prikaz svjetla indikatora tajmera (B1).

OSCILLATION funkcija: Pritisnite dugme (F) da biste aktivirali oscilacije, uređaj će se okretati udesno i ulijevo kako bi ravnomjerno rasporedio ispušni zrak. Pritisnite ponovo tipku (F) da otkazete funkciju oscilacije.

## PRILAGOĐAVANJE TEMPERATURE

Podesite sobnu temperaturu pritiskom na dugme (D) ili (C). Zadana postavljena temperatura je 25 ° C. Raspon temperatura od 10-35 ° C. Pritisnite dugme (D) da biste povećali željenu temperaturu i pritisnite taster (C) da biste smanjili željenu temperaturu. Uređaj je inteligentno programiran, on odabire radni nivo između niske ili jake toplote u skladu sa željenom temperaturom i trenutnom temperaturom okoline.



## FUNKCIJA HUMIDIFIKACIJE

Prvo nalijte vodu u spremnik za vodu (13) prema dolje opisanim uputama. Da biste vodu izlili u spremnik za vodu (13), prvo isključite uređaj. Zatim pritisnite i povucite van izbočeni dio na zadnjem poklopcu (6) - pogledajte sliku 4. Izvadite spremnik za vodu (13) iz kućišta, odvrnite čep spremnika za vodu (13) u smjeru suprotnom od kazaljke na satu, ulijte čistu vodu (ne dodana esencijalna ulja) i dobro zavrnite čep. Stavite spremnik za vodu (13) u kućište. Dobro postavite poklopac na dva zasuna i gurnite ga da se zatvori. Funkcija ovlaživanja može se normalno koristiti. Priključite uređaj.

Pritisnite dugme (G), proizvod uključuje funkciju ovlaživanja, svijetli indikator ovlaživanja (G1). Ponovo pritisnite tipku (G) da isključite funkciju vlaženja, istovremeno će se isključiti indikator ovlaživanja (G1). Funkcija ovlaživanja takođe se može koristiti odvojeno kada je funkcija ventilatora / grejanja isključena, ali je napajanje uključeno.

Za ispuštanje vode otvorite poklopac odvoda (7) povucite ispušni čep (9) i ispuštite podsjetnu vodu u odgovarajući spremnik. Kada se uređaj ne koristi dulje vrijeme, vodu iz spremnika treba ispuštiti.

Važeći uslovi okoline za rad uređaja:

- temperatura upotrebe funkcije grijanja u rasponu od -20 ° C do 25 ° C.
- funkcija ovlaživača zraka pri temperaturi u rasponu od 5 ° C do 40 ° C i relativnoj vlažnosti manjoj od 80%.

Da biste isključili uređaj, ponovo pritisnite tipku (A). Zatim će ventilator hladiti grijači element unutar kućišta tijekom 30 sekundi, a zatim će se automatski isključiti. Ako uređaj prije nije uključen na funkciju grijanja, preći će izravno u stanje pripravnosti.

Isključivanje prednje ploče zaslona (2): Nakon što uređaj radi 10 minuta, automatski će ući u režim isključenja zaslona, pritisnite bilo koju tipku da biste osvjetlili ekran.

Daljinski upravljač: Prije upotrebe daljinskog upravljača (11) oduzmite komad plastične folije s desne strane daljinskog upravljača. Daljinsko upravljanje je isto kao ručno upravljanje gornjim panelom (8).

## KAKO PROMIJENITI BATERIJU DALJINSKIH UPRAVLJAČA:

1. Poklopac baterije se može otvoriti novčićem ili slično.
2. Instalirajte bateriju dugmeta, obratite pažnju na polaritet baterije ("+" licem prema gore i "-" licem nadole).
3. Pokrijte poklopac baterije.

## ČIŠĆENJE I ODRŽAVANJE

1. Uvjerite se da uređaj nije vruć.
2. Prije čišćenja uređaja izvadite utikač iz električne utičnice.
3. Ulazni i izlazni otvori za zrak održavajte čistima. Ne dopustite da se prašina skuplja na otvorima.
4. Očistite kućište samo suvom ili vlažnom krpom.
5. Ne potapajte uređaj u vodu!

## TEHNIČKI PODACI:

Snaga: 2200W

Napajanje: 220-240V ~ 50Hz



### Brinući za okoliš..

Molimo Vas da kartonska pakovanja odnesete u otkup otpadnog papira. Polietilenske džakove (PE) bacajte u kontejner za plastiku. Iskorišćen uređaj treba odneti na odgovarajuću deponiju, jer opasni sastojci koji se u njemu nalaze, mogu biti opasni za okoliš. Električni uređaj treba odneti na način, koji ograničava njegovu ponovnu upotrebu i korištenje. Ako se u uređaju nalaze baterije, treba ih izvaditi i odvojeno predati na deponiju.

**Uređaj se ne smije bacati u kontejner za komunalni otpad!!**

## MAGYAR

## ÁLTALÁNOS BIZTONSÁGI FELTÉTELEK FONTOS BIZTONSÁGI UTASÍTÁSOK KÉRJÜK, ÖVÖSAN OLVASSA EL ÉS TARTSA A JÓVŐBENI REFERENCIÁT

1. A készülék használatára előtt olvassa el a használati utasítást, és kövesse az abban foglalt utasításokat. A gyártó nem vállal felelősséget semmilyen kárért, amelyet a készülék rendeltetészerű használatával ellentétes használata vagy nem megfelelő működés okoz.
2. A készülék csak otthoni használatra szolgál. Ne használja más célokra, nem a rendeltetészerű használatnak megfelelően.
3. A készüléket 220-240V ~ 50 / 60Hz-re kell csatlakoztatni. A használat biztonságának növelése érdekében sok elektromos eszközt nem szabad egyszerre csatlakoztatni egy elektromos áramkörhöz.
4. Legyen különösen óvatos, amikor a készüléket gyermekek közelében használja. Ne engedje, hogy gyermekek játszanak a készülékkel, és ne engedje, hogy gyermekek vagy más emberek ismerjék a készüléket.

5. FIGYELMEZTETÉS: Ezt a berendezést 8 évesnél idősebb gyermekek és csökkent fizikai, érzékszervi vagy szellemi képességekkel rendelkező személyek, vagy a berendezéssel kapcsolatos tapasztalatokkal vagy ismeretekkel nem rendelkező emberek használhatják, ha ezt a berendezésért felelős személy felügyelete alatt végzik. biztonságukat, vagy utasításokat kaptak számukra az eszköz biztonságos használatáról, és tisztában vannak a használatával járó veszélyekkel. A gyermekek nem játszhatnak a felszereléssel. A tisztítást és a felhasználó karbantartását csak gyermekek végezhetik, kivéve, ha 8 évesnél idősebbek, és ezeket a tevékenységeket felügyelet mellett végzik.
6. Használat után mindig húzza ki a dugót az aljzatból úgy, hogy kézzel tartja a kimenetet. NE húzza meg a vezetéket.
7. Ne merítse a kábelt, a dugót és az egész eszközt vízbe vagy bármilyen más folyadékba. Ne tegye ki a készüléket időjárási viszonyoknak (eső, nap stb.), És ne használja magas páratartalmú körülmények között (fürdőszoba, nedves mobilházak).
8. Rendszeresen ellenőrizze a tápkábel állapotát. Ha a tápkábel megsérült, a veszély elkerülése érdekében szakszervizben kell kicserélni.
9. Ne használja a készüléket, ha a tápkábel megsérült, vagy bármilyen módon leesett vagy megrongálódott, vagy ha nem megfelelően működik. Ne javítsa a készüléket maga, mert áramütést okozhat. Vigye a sérült készüléket a megfelelő szervizbe ellenőrzésre vagy javításra. A javításokat csak hivatalos szervizek végezhetik. A helytelenül végzett javítások komoly veszélyt jelenthetnek a felhasználóra.
10. Helyezze a készüléket hűvös, stabil, egyenletes felületre, olyan fűtőberendezésektől távol, mint: elektromos tűzhely, gázégő stb.
11. Ne használja a készüléket gyúlékony anyagok közelében.
12. A további védelem érdekében tanácsos az áramkörbe egy maradékáram-eszközt (RCD) telepíteni, amelynek névleges maradékárama nem haladja meg a 30 mA-t. Ebben a tekintetben forduljon szakemberhez.
13. Ha a készüléket a fürdőszobában használják, használat után húzza ki a csatlakozót az aljzatból, mivel a víz közelsége még a készülék kikapcsolása esetén is veszélyt jelent.
14. Ne tegye az ujjait, semmilyen tárgyat vagy fém idegen tárgyat a termék belsejébe, a szellőzőrácsra és más nyílásokon keresztül, különben áramütést vagy meghibásodást okozhat.
15. Ne tegyen semmilyen tárgyat a készülék tetejére. Szellőzők nem lehetnek törököző, függöny stb. borítja. Ez károsíthatja a készüléket vagy tüzet okozhat.
16. A készülék működés közben felmelegszik, ne érjen a készülék forró részeihez. Ne érjen nedves kézzel a készülékhez.
17. Ha a konvektor nedves lesz, vagy bármilyen tárgy átesik a konvektor szellőzőrácsot, azonnal kapcsolja ki és válassza le a hálózatról. Újraindítás előtt a konvektor használatával lépjen kapcsolatba a szervizzel.
18. Ne helyezze a gépet közvetlenül az elektromos aljzat alá.
19. Mindig kapcsolja ki a készüléket a gombokkal, mielőtt leválasztaná a hálózatról.
20. Ne használja ezt a készüléket, ha leesett.
21. Ne használja, ha a készülék károsodásának látható jelei vannak.
22. A fűtőtestet sík és stabil felületen használja, vagy rögzítse a falhoz, ha a gyártó előírja.
23. Minden elemnek legalább 1 méterre kell lennie a készülék elejétől és oldalától.
24. Ne helyezzen idegen tárgyakat a szellőző- vagy elszívónyílásokba, mert ez áramütést, tüzet vagy a termék károsodását okozhatja.
25. A túlmelegedés gyakori oka a por vagy a szősz a készülék belsejében. Győződjön meg róla, hogy ezeket a lerakódásokat rendszeresen eltávolítja azáltal, hogy kihúzza az egységet a konnektorból, és porszívózza a szellőzőnyílásokat és a rácsokat, ha vannak szűrők.
26. Ne használja ezt a készüléket ablakban, mert az eső áramütést okozhat.
27. Ne csatlakoztassa a készüléket áramforráshoz, amíg azt a végső helyzetébe nem helyezték és a használatra nem helyezték.
28. A készülékhez nem ajánlott hosszabbítót használni.

29. Ne helyezze a zsinórt szőnyegek, szőnyegek, stb. Alá. Tartsa távol a kábelt olyan helyektől, ahol átütközhet.
30. Ne használja ezt az eszközt programozóval, időzítővel vagy bármilyen más eszközzel, amely automatikusan bekapcsolja a fűtést, mivel tűzveszély áll fenn, ha az eszközt nem megfelelően fedik le vagy helyezik el.
31. Annak elkerülése érdekében, hogy véletlenül alaphelyzetbe állítsa a hőkapcsolót, ezt a készüléket nem szabad külső kapcsolóeszközből, például órából táplálni, vagy olyan áramkörbe csatlakoztatni, amelyet a hálózat rendszeresen be- és kikapcsol.
32. Ne nedvesítse a készüléket. Ha a készülék vízbe esik, azonnal húzza ki a csatlakozót az aljzatból. Ne tegye a kezét a vízbe, amikor a készülék be van dugva. Újbóli használat előtt ellenőrizze azt egy hivatalos szervizközpontban.
33. A készüléket ki kell kapcsolni, amikor leteszi.
34. Soha ne kapcsolja be a készüléket, ha a tartály nincs feltöltve vízzel.
35. Csak tiszta, hűvös vizet használjon.
36. Ne öntsön vizet a tartályba a maximális szint fölé.
37. Ne merítse el a készülék alját.
38. Ne adjon semmilyen vegyszert a tartályba, az aljzatba vagy a gőzkivezetésbe. Ne adjon aromás olajokat, sót, vízkötelenítő tablettákat, porokat vagy tisztítószereket a vízhez.
39. A töltőkupakot / víztartály fedelét mindig fel kell csavarni / zárni.
40. Ugyeljen arra, hogy a párasító vízköd-kivezető nyílása ne közvetlenül a falak, bútorok, elektromos csatlakozók, elektromos és elektronikus eszközök, valamint gyermekek felé mutasson. A túl sok páratartalom a helyiségben nedvesség felhalmozódásához vezethet, ami baktériumok és gombák szaporodását okozhatja, és károsíthatja a falakat, a bútorokat és a tapétákat.
41. Ne akadályozza a készülék szellőzését. Tartson legalább 100 cm távolságot a készüléktől. A légnedvesítő funkcióval ne zárja el a vízköd-kimenetet.
42. Ne használja a készüléket, ahol fennáll a páralecsapódás veszélye. Nedvesség képződhet a készülék belsejében és kívül, ha:
  - a készüléket hideg helyről meleg helyre helyezik,
  - a fűtési rendszert éppen bekapcsolták,
  - a készüléket magas páratartalmú helyiségben használják,
  - a készüléket a légkondicionáló hűtőrendszer hűti.Ha a készülékben nedvesség kondenzálódik, előfordulhat, hogy nem működik megfelelően, vagy szélsőséges esetekben károsodhat. Ebben az esetben ne használja a készüléket, és hagyja több órán át száradni.
43. Ne döntse meg, ne boruljon le, és ne próbáljon újratölteni vagy öntsön vizet a készülékből, amíg az működik.
44. Ne távolítsa el a tartályt a készülék aljáról, amíg a párasító funkció működik.
45. A megtöltött víztartály nehéz. Hordozásakor tartsa alatta is.
46. Ne használja a készüléket vízszivárgás esetén.
47. Ne hagyjon vizet a tartályban, ha a gépet nem használják.
48. A készülék minden használati ciklusa után tisztítsa meg a párasítót. Kövesse a kézikönyvben található tisztítási utasításokat.
49. Soha ne hagyja, hogy üledék, nedvesség vagy víz maradjon a tartályban (ez szennyezést okozhat, vagy akár károsíthatja az ultrahangos porlasztót).
50. A készülék hosszú távú működése során a párasító által kibocsátott vízpára a padlóra hullhat és nedvességet okozhat.

**FIGYELMEZTETÉS:** Ne használja ezt a fűtőtestet olyan kis helyiségekben, ahol vannak olyan emberek, akik önmagukban nem képesek elhagyni őket, hacsak nem biztosított az állandó felügyelet.

**FIGYELEM:** A tűzveszély csökkentése érdekében tartsa a textíliákat, függönyöket vagy más gyúlékony anyagokat legalább 1 m-re a fűtőberendezés kimenetétől.



"Vigyázat forró felület" - A hozzáférhető felületek hőmérséklete magasabb lehet működés közben, ami azt jelenti, hogy a házelemek működés közben felforrósodnak. VIGYAZAT !!!



MEGJEGYZÉS: A túlmelegedés elkerülése érdekében - ne takarja le a fűtőtestet. Ne takarja le a készüléket ruhákkal, takarókkal vagy más textíliákkal, amelyek meggyulladását okozhatnak.



Ne használja a készüléket víz közelében, pl. zuhanyzóban, fürdőkádban vagy mosdókagyló felett vízzel.

## MONTAGE

Az alap (10) rögzítése: Igazítsa az alap (10) négy rögzítőcsavarját az alap (10) csavaroszlopaihoz, és négy önmetsző csavarral csavarja be a terméket. Nézd meg a 2. ábrát.

## TERMÉKLEÍRÁS (1. ábra)

- |                              |                       |
|------------------------------|-----------------------|
| 1. Párasított levegő kimenet | 2. Első kijelző panel |
| 3. Levegő kimenet            | 4. Ház                |
| 5. Levegőbemenet             | 6. Hátfedél           |
| 7. Csatornafedél             | 8. Felső panelek      |
| 9. Vízleeresztő dugó         | 10. Az alap           |
| 11. Távirányító              | 12. Főkapcsoló        |

Felső panel és elülső panel és távirányító jelölése - 3. ábra

- A. Készlet gomb
- A1. Ventilátor funkció jelző
- B. Időzítő gomb
- B1. Timer kijelző
- B2. Időzítő / hőmérséklet / lehűlés visszaszámláló
- C. Időzítő / hőmérséklet-növelő gomb
- D. Időzítő / hőmérséklet-csökkentő gomb
- E. Fűtési szint szabályozó gomb
- E1. Alacsony fűtési szint jelző
- E2. Magas fűtési szint jelző
- F. Oszcilláció gomb
- G. Párasító funkció gomb
- G1. Párasító indikátor
- H. Hőmérséklet-egység jelzője

## HASZNÁLAT

1. Bekapcsolás: Helyezze a készüléket stabil padlóra, és dugja be a csatlakozót az aljzatba. Kapcsolja be a főkapcsolót (12) a termék hátoldalán. „I” jelentése bekapcsolt, „0” jelentése kikapcsolt. Ekkor a készülék készenléti állapotban van, a kijelzőn a környezeti hőmérséklet (B2) látható, és a hőmérsékleti egység jelzője (H) kigyullad.

2. Ventilátor

Nyomja meg a gombot (A), az indikátor (A1) kigyullad, és a ventilátor működik (szobahőmérsékleten áramolja a levegőt).

3. Fűtés

Nyomja meg egyszer a gombot (E) alacsony fűtésű - 1500W esetén, a kijelző világit (E1).

Nyomja meg kétszer az (E) gombot 2200 W magas fűtéshez, a kijelző mindkét jelzőfényt világítani kezd (E1 + E2).

A fűtés megszakításához nyomja meg ismét az (E) gombot.

IDŐZÍTŐ funkció: A gomb (B) ismételt megnyomásával állítsa be azt az időtartamot, amely után a készülék kikapcsol (1,0 óra és 12,0 óra között, 60 perccenként). Ugyanakkor az időzítő jelzőfénye (B1) világit.

OSZCILLÁCIÓ funkció: Nyomja meg az (F) gombot az oszcilláció aktiválásához. A készülék jobbra és balra fog lendülni, hogy egyenletesen oszthassa el a kipufogó levegőt. Nyomja meg ismét az (F) gombot az oszcillációs funkció töréséhez.

## HŐMÉRSÉKLET-BEÁLLÍTÁS

Állítsa be a szobahőmérsékletet a (D) vagy a (C) gomb megnyomásával. Az alapértelmezett beállítási hőmérséklet 25 ° C. Hőmérsékleti tartomány 10-35 ° C. Nyomja meg a (D) gombot a kívánt hőmérséklet növeléséhez, és nyomja meg a (C) gombot a kívánt hőmérséklet csökkentéséhez. A készülék intelligensen van beprogramozva, a kívánt hőmérsékletnek és a jelenlegi környezeti hőmérsékletnek megfelelően kiválasztja az alacsony vagy magas hő közötti munkaszintet.

## PÁRAMÍTÁS FUNKCIÓ

Eleinte öntse a vizet a víztartályba (13) az alábbiakban leírtak szerint. A víz víztartályba (13) öntéséhez először húzza ki a készülék csatlakozóját. Ezután nyomja le és húzza ki a hátsó fedél (6) kiemelkedő részét - nézze meg a 4. ábrát. Vegye ki a víztartályt (13) a házból. csavarja le a víztartály (13) dugóját az óramutató járásával ellentétes irányba, öntsön tiszta vizet (nem illóolajok hozzáadása), és szorosan csavarja be a dugót. Helyezze a víztartályt (13) a ház belsejébe. Helyesen helyezze be a fedelet két reteszes helyre, és nyomja be a helyére.

A párasító funkció normálisan használható. Csatlakoztassa a készüléket.

Nyomja meg a gombot (G), a termék bekapcsolja a párasítási funkciót, a párasítás jelzője (G1) kigyullad. A párasítás funkció kikapcsolásához nyomja meg ismét a gombot (G), ezzel párhuzamosan a párasítás jelzője (G1) kialszik. A párasító funkció külön is használható, ha a ventilátor / fűtés funkció ki van kapcsolva, de az áramellátás be van kapcsolva.

A víz kiürítéséhez nyissa ki a leeresztő fedelet (7), húzza meg a leeresztő dugót (9), és engedje le az emlékeztető vizet egy megfelelő tartályba.

Ha a készüléket hosszú ideig nem használják, a tartályban lévő vizet le kell üríteni.

A készülék működéséhez alkalmazandó környezeti feltételek:

- a fűtési funkció hőmérséklete -20 ° C és 25 ° C között van.

- párasító funkció használata 5 ° C és 40 ° C közötti hőmérsékleten és 80% alatti relatív páratartalom mellett.

A készülék kikapcsolásához nyomja meg ismét a gombot (A). Ezután a ventilátor 30 másodperc alatt lehűti a ház belsejében lévő

fütölemet, majd a ventilátor automatikusan kikapcsol. Ha a készülék korábban nincs bekapcsolva a fűtési funkcióval, akkor közvetlenül készenléti állapotba kerül.

Az elülső kijelzőpanel kikapcsolása (2): Miután a készülék 10 percig működött, automatikusan bekapcsol a világítás kikapcsolása módba, a képernyő világításához nyomja meg bármelyik gombot.

Távirányító: A távirányító (11) használata előtt vegye le a távirányító jobb oldalán található műanyag fóliát. A távirányító működése megegyezik a felső panel (8) kézi működtetésével.

#### A TÁVIRÁNYÍTÓK AKKUMULÁTORÁNAK MÓDOSÍTÁSA:

1. Az elemfedelét érmével vagy hasonlóval lehet kinyitni.
2. Helyezze be a gombelmelet, ügyeljen az elem polarítására ("+" képpel felfelé és "-" arccal lefelé).
3. Fedje le az elemtartó fedelét.

#### TISZTÍTÁS ÉS KARBANTARTÁS

1. Győződjön meg arról, hogy a készülék nem forró.
2. A készülék tisztítása előtt húzza ki a csatlakozót az elektromos aljzatból.
3. Tartsa tisztán a levegő be- és kimeneti nyílásait. Ne engedje, hogy por gyűljön össze a nyílásokon.
4. A házat csak száraz vagy nedves ruhával tisztítsa.
5. Ne merítse a készüléket vízbe!

#### MŰSZAKI ADATOK:

Teljesítmény: 2200W

Tápellátás: 220-240V ~ 50Hz



A környezet védelme érdekében kérjük külön karton dobozok és műanyag zsákokat és dobja őket a megfelelő hulladék közé. Használt készüléket kell eljuttatni a kijelölt gyűjtőhelyekre miatt veszélyes elemek alkatrészeket, amelyek hatással lehetnek a környezetre. Ne dobja a készüléket a közös szemétkosárba.

## SUOMI

### YLEISET TURVALLISUUSOLOSUHTEET TÄRKEITÄ TURVALLISUUSOHJEITA LUE HUOLELLISESTI JA SÄILYTTÄ TULEVAISUUDET

1. Lue käyttöohjeet ja noudata niiden ohjeita ennen laitteen käyttöä. Valmistaja ei ole vastuussa vahingoista, jotka aiheutuvat laitteen käytöstä sen tarkoituksenmukaisen käytön vastaisesti tai virheellisestä käytöstä.
2. laite on tarkoitettu vain kotikäyttöön. Älä käytä muihin tarkoituksiin, jotka eivät ole sen käyttötarkoituksen mukaisia.
3. Laite on kytkettävä 220-240V ~ 50 / 60Hz: iin. Käyttöturvallisuuden parantamiseksi monia sähkölaitteita ei tule kytkeä yhteen sähköpiiriin samanaikaisesti.
4. Ole erityisen varovainen käyttäessäsi laitetta, kun lapset ovat lähellä. Älä anna lasten leikkiä laitteella, äläkä anna lasten tai muiden tuntemattomien käyttää laitetta.
5. VAROITUS: Tätä laitetta voivat käyttää yli 8-vuotiaat lapset ja henkilöt, joiden fyysiset, sensoriset tai henkiset kyvyt ovat heikentyneet, tai henkilöt, joilla ei ole kokemusta tai tietoa laitteistosta, jos tämä tapahtuu henkilön vastuulla olevan henkilön valvonnassa. heidän turvallisuudestaan tai heille on annettu ohjeita laitteen turvallisesta käytöstä ja he ovat tietoisia laitteen käyttöön liittyvistä vaaroista. Lasten ei tule leikkiä laitteiden kanssa. Lapset eivät saa puhdistaa ja huoltaa laitetta, elleivät he ole yli 8-vuotiaita ja nämä toimet suoritetaan valvonnassa.
6. Irrota aina pistoke pistorasiasta käytön jälkeen pitämällä pistorasiaa kädelläsi. ÄLÄ vedä johdosta.
7. Älä upota kaapelia, pistoketta ja koko laitetta veteen tai mihinkään muuhun nesteeseen. Älä altista laitetta sääolosuhteille (sade, aurinko jne.) Tai käytä sitä kosteissa olosuhteissa (kylpyhuoneet, kosteat asunтоваunut).
8. Tarkista säännöllisesti virtajohdon kunto. Jos virtajohto on vaurioitunut, se on vaihdettava

ammattikorjaamoon vaarojen välttämiseksi.

Älä käytä laitetta, jos virtajohto on vaurioitunut tai se on pudonnut tai vahingoittunut millään tavalla tai jos se ei toimi kunnolla. Älä korjaa laitetta itse, koska se voi aiheuttaa sähköiskun. Vie vaurioitunut laite asianmukaiseen huoltokeskukseen tarkastusta tai korjausta varten. Korjauksia saavat suorittaa vain valtuutetut huoltopisteet. Väärin tehdyt korjaukset voivat olla vakava uhka käyttäjälle.

10. Sijoita laite viileälle, vakaalle, tasaiselle pinnalle, kaukana lämmityslaitteista, kuten sähköliesi, kaasupolttimet jne.

11. Älä käytä laitetta tulenarkojen materiaalien lähellä.

12. Lisäsuojaukseksi on suositeltavaa asentaa vikavirtasuojalaite sähköpiiriin, jonka nimellisvikavirta on enintään 30 mA. Ota yhteysttä sähköasentajaan.

Kun laitetta käytetään kylpyhuoneessa, irrota pistoke pistorasiasta käytön jälkeen, koska veden läheisyys on vaarallinen, vaikka laite sammutettaisiin.

14. Älä työnnä sormiasi, esineitä tai metalliesineitä tuotteen sisään, tuuletusritilän ja muiden aukkojen läpi, muuten se voi aiheuttaa sähköiskun tai toimintahäiriön.

15. Älä laita mitään esineitä laitteen päälle. Tuuletusaukot eivät saa olla peitetty pyyhkeellä, verholla jne. Se voi vahingoittaa laitetta tai aiheuttaa tulipalon.

16. Laite lämpenee käytön aikana, älä koske laitteen kuumiin osiin. Älä koske laitteeseen märillä käsillä.

17. Jos konvektori kastuu tai jokin esine putoaa sen läpi konvektorin tuuletusritilä, sammuta se välittömästi ja irrota se verkkovirrasta. Ennen käynnistämistä uudelleen

Ota yhteys huoltoon konvektorin avulla.

18. Älä aseta konetta suoraan pistorasian alle.

19. Sammuta laite aina painikkeilla, ennen kuin irrotat sen sähköverkosta.

20. Älä käytä tätä laitetta, jos se on pudonnut.

21. Älä käytä, jos laitteessa on näkyviä merkkejä vaurioista.

22. Käytä lämmitintä tasaisella ja vakaalla alustalla tai kiinnitä se seinään, jos valmistaja niin määrää.

23. Kaikkien esineiden tulee olla vähintään 1 metrin päässä laitteen etuosasta ja sivuista.

24. Älä työnnä tai anna vieraiden esineiden päästä ilmanvaihto- tai poistoilma-aukkoihin, koska se voi aiheuttaa sähköiskun, tulipalon tai tuotteen vaurioitumisen.

25. Yleinen ylikuumenemisen syy on laitteen sisällä oleva pöly tai nukka. Varmista, että nämä kerrostumat poistetaan säännöllisesti irrottamalla yksikkö pistorasiasta ja imemällä tuuletusaukot ja ritilät, suodattimet, jos sellaisia on.

26. Älä käytä tätä laitetta ikkunassa, koska sade voi aiheuttaa sähköiskun.

27. Älä kytke laitetta virtalähteeseen ennen kuin se on asennettu lopulliseen asentoonsa ja asetettu käyttöasentoon.

28. Jatkojohdon käyttöä ei suositella tämän laitteen kanssa.

29. Älä aseta johtoa mattojen, jne. Alle. Pidä johto poissa paikoista, joissa se voi kompastua.

30. Älä käytä tätä laitetta ohjelmoijan, ajastimen tai muun laitteen kanssa, joka kytkee lämmittimen automaattisesti päälle, koska laite on peitetty tai asetettu väärin, on tulipalon vaara.
31. Lämpökatkaisun vahingossa tapahtuvan palauttamisen vahingon välttämiseksi tätä laitetta ei saa käyttää virtana ulkoisella kytkinlaitteella, kuten kellolla, eikä sitä saa kytkeä virtapiiriin, jonka virta kytketään säännöllisesti päälle ja pois päältä.
32. Älä kastele laitetta. Jos laite putoaa veteen, irrota pistoke pistorasiasta välittömästi. Älä työnnä kättäsi veteen, kun laite on kytketty verkkovirtaan. Auktorisoidun huoltokeskuksen on tarkistettava se ennen uudelleenkäyttöä.
33. Laite on kytkettävä pois päältä aina, kun laitat sen alas.
34. Älä koskaan käynnistä laitetta, kun säiliö ei ole täynnä vettä.
35. Käytä vain puhdasta, viileää vettä.
36. Älä kaada vettä säiliöön enimmäismäärän yläpuolelle.
37. Älä upota laitteen runkoa.
38. Älä lisää kemikaaleja säiliöön, pohjaan tai höyrynpistoaukkoon. Älä lisää veteen aromaattisia öljyjä, suolaa, kalkinpoistotabletteja, jauheita tai puhdistusaineita.
39. Täyttöaukon korkki / vesisäiliön kansi tulee aina olla ruuvattu kiinni / kiinni.
40. Varmista, että ilmapuhaltimen vesisumputki ei osoita suoraan seinää, huonekaluja, sähköpistorasioita, sähkö- ja elektroniikkalaitteita ja lapsia kohti. Liian suuri kosteus huoneessa voi johtaa kosteuden kertymiseen, mikä aiheuttaa bakteerien ja sienien kasvua ja vahingoittaa seiniä, huonekaluja ja tapetteja.
41. Älä tuki laitteen tuuletusta. Pidä vähintään 100 cm:n etäisyys laitteesta. Älä peitä vesisummuulostuloa kostuttimen avulla.
42. Älä käytä laitetta kondensoitumisvaarassa. Kosteutta voi muodostua laitteen sisä- ja ulkopuolelle, kun:
- laite siirretään kylmästä lämpimään paikkaan,
  - lämmitysjärjestelmä on juuri kytketty päälle,
  - laitetta käytetään huoneessa, jossa on korkea kosteus,
  - laite jäähdytetään ilmastointijäähdytysjärjestelmällä.
- Kun laitteessa tapahtuu kosteuden tiivistymistä, se ei välttämättä toimi oikein tai voi äärimmäisissä tapauksissa vahingoittua. Älä tällöin käytä laitetta ja anna sen kuivua useita tunteja.
43. Älä kallista, kaadu tai yritä täyttää tai kaataa vettä laitteesta, kun se toimii.
44. Älä poista säiliötä laitteen pohjalta, kun kostutintoiminto on toiminnassa.
45. Täytetty vesisäiliö on raskas. Pidä sitä kannettaessa myös sen alla.
46. Älä käytä laitetta, jos siinä on vesivuoto.
47. Älä jätä vettä säiliöön, kun konetta ei käytetä.
48. Puhdista kostutin laitteen jokaisen käyttökerran jälkeen. Noudata tämän oppaan puhdistusohjeita.
49. Älä koskaan anna sakan, kosteuden tai veden jäädä säiliöön (tämä voi aiheuttaa saastumista tai jopa vahingoittaa ultraäänisumutinta).

50. Laitteen pitkäaikaisen käytön aikana kostuttimen päästämä vesisumu voi pudota lattialle ja aiheuttaa kosteutta.

**VAROITUS:** Älä käytä tätä lämmitintä pienissä tiloissa, joissa on ihmisiä, jotka eivät pysty jättämään niitä yksin, ellei jatkuvaa valvontaa varmisteta.

**VAROITUS:** Tulipalon vaaran vähentämiseksi pidä tekstiilejä, verhoja tai muita tulenarkoja materiaaleja vähintään 1 metrin päässä lämmittimen ilman ulostulosta.



"Varovainen kuuma pinta" - Esteettömien pintojen lämpötila voi olla korkeampi käytön aikana, mikä tarkoittaa, että kotelot osat kuumenevat käytön aikana. VAROITUS !!!



**HUOMAUTUS:** Älä peitä lämmitintä ylikuumenemisen välttämiseksi. Älä peitä laitetta vaatteilla, peitteillä tai muilla tekstiileillä, jotka voivat aiheuttaa syttymisen.



Älä käytä laitetta veden lähellä, esim. suihkussa, kylpyammeessa tai vesialtaalla.

### MONTAASI

Pohjan (10) kiinnitys: Kohdista alustan (10) neljä kiinnitysruuvireikää alustan (10) ruuvitolppiin ja ruuvaa neljällä itsekierteittäväällä ruuvilla tuotteen käyttöönottamiseksi. Katso kuvaa 2.

### TUOTTEEN KUVAUS (Kuva 1)

- |                                    |                 |
|------------------------------------|-----------------|
| 1. ilmankuivattavan ilman ulostulo | 2. etupaneeli   |
| 3. ilmanpoistoaukko                | 4. kotelo       |
| 5. ilmanottoaukko                  | 6. takakansi    |
| 7. Viemärikansi                    | 8. Paneelit     |
| 9. Tyhjennystulppa                 | 10. Pohja       |
| 11. Kauko-ohjain                   | 12. Virtakytkin |

### YLÄPANEELI & ETUPANEELI & KAUKOSÄÄDINMERKINNÄT - Kuva 3

- A. Valmiustila-painike
- A1. Puhaltimen toiminnan ilmaisin
- Ajastinpainike
- B1 Ajastimen ilmaisin
- B2 Ajastin / lämpötila / jäähdytyslaskuri
- C. Ajastin / lämpötilan nostopainike
- D. Ajastin / lämpötilan lasku -painike
- E. Lämmitystason säätöpainike
- E1. Matala lämmitystason ilmaisin
- E2. Korkean lämmitystason ilmaisin
- F. Värähtelypainike
- G. Ilmankostuttimen toimintopainike
- G1. Ilmankostuttimen ilmaisin
- Lämpötilayksikön ilmaisin

### KÄYTTÖ

1. Virta päälle: Aseta laite tukevalle lattialle ja työnnä pistoke pistorasiaan. Kytke virta laitteen takana olevasta virtakytkimestä (12). "I" tarkoittaa kytkettyä, "0" tarkoittaa pois päältä. Tällä hetkellä laite on valmiustilassa, näytössä näkyy ympäristön lämpötila (B2) ja lämpötilayksikön ilmaisin (H) syttyä.

2. Tuuletin

Paina painiketta (A), merkkivalo (A1) syttyä ja puhallin on toiminnassa (virtaa ilmaa huoneenlämmössä).

3. Lämmitys

Paina painiketta (E) kerran, kun haluat lämmittää alhaisen lämpötilan ~ 1500W, näyttö syttyä merkkivaloon (E1).

Paina painiketta (E) kahdesti saadaksesi korkean tason lämmityksen 2200 W, näyttö syttyä molemmat ilmaisimet (E1 + E2).

Peruuta lämmitys painamalla painiketta (E) uudelleen.



**AJASTIN-toiminto:** Paina painiketta (B) toistuvasti asettaaksesi ajanjakson, jonka jälkeen laite sammuu itsestään (välillä 1,0 - 12,0 tuntia, 60 minuutin välein). Samanaikaisesti ajastimen merkkivalo (B1) palaa.

**OSCILLATION-toiminto:** Paina painiketta (F) aktivoitaksesi värähtelyn, laite kääntyy oikealle ja vasemmalle jakamaan poistoilman tasaisesti. Peruuta värähtelytoiminto painamalla uudelleen painiketta (F).

### LÄMPÖTILAN SÄÄTÖ

Säädä huoneen lämpötila painamalla painiketta (D) tai (C). Oletusasetuslämpötila on 25 ° C. Lämpötila-alue 10-35 ° C. Paina painiketta (D) nostaaksesi haluttua lämpötilaa ja paina painiketta (C) laskeaksesi haluttua lämpötilaa. Laite on ohjelmoitu älykkäästi, se valitsee työtason matalan tai korkean lämmön välillä halutun lämpötilan ja vallitsevan ympäristön lämpötilan mukaan.

### KOSTEUTUSTOIMINTO

Kaada ensin vesi vesisäiliöön (13) alla kuvattujen ohjeiden mukaisesti. Kaada vesi vesisäiliöön (13) irrottamalla laite ensin. Paina seuraavaksi alas ja vedä takakannen (6) ulkonevan osan ulkopuolelle - katso kuva 4. Poista vesisäiliö (13) kotelosta, kierrä vesisäiliön (13) tulppa vastapäivään, kaada puhdasta vettä (ei eteeriset öljyt) ja kierrä tulppa tiukasti Aseta vesisäiliö (13) kotelon sisään. Aseta kansi kunnolla kahteen salvan paikkaan hyvin ja työnnä se kiinni.

Kostutustoimintoa voidaan käyttää normaalisti. Kytke laite.

Paina painiketta (G), tuote käynnistää kostutustoiminnon, kostutusilmamais (G1) sytty. Kytke kostutustoiminto pois päältä painamalla painiketta (G) uudelleen, samalla kun kostutusilmamais (G1) sammuu. Kostutustoimintoa voidaan käyttää myös erikseen, kun puhallin / lämmitystoiminto on kytketty pois päältä, mutta virta on päällä.

Veden tyhjentämiseksi ulos, tyhjennä kansi (7) vetämällä tyhjennustulppaa (9) ja tyhjentämällä muistuttava vesi sopivaan säiliöön. Kun laitetta ei käytetä pitkään aikaan, säiliössä oleva vesi on tyhjennettävä.

Laitteen käyttöön sovellettavat ympäristöolosuhteet:

- lämmitystoiminnon käyttölämpötila on -20 ° C - 25 ° C.

- ilmankostuttimen käyttö lämpötilassa välillä 5 ° C - 40 ° C ja suhteellinen kosteus alle 80%.

Sammuta laite painamalla painiketta (A) uudelleen. Sitten tuuletin jäädyttää kotelon sisällä olevan lämmityselementin 30 sekunnin ajan, seuraavaksi tuuletin sammuu automaattisesti. Jos laitetta ei ole asetettu lämmitystoimintoon aiemmin, se siirtyy suoraan valmiustilaan.

**Etu näyttöpaneelin valaistus (2):** Kun laite on toiminut 10 minuuttia, se siirtyy automaattisesti valon pois päältä -tilaan, paina mitä tahansa näppäintä näytön syyttämiseksi.

**Kaukosäädin:** Poista kaukosäätimen oikealla puolella oleva muovikappale ennen kaukosäätimen (11) käyttöä. Kaukosäätimen toiminta on sama kuin yläpaneelin (8) käsikäyttö.

### KAUKO-OHJAIMEN PARISTON MUUTTAMINEN:

1. Paristokansi voidaan avata kolikolla tai vastaavalla.

2. Asenna nappiparisto ja kiinnitä huomiota pariston napaisuuteen ("+" kuvapuoli ylöspäin ja "-" kuvapuoli alaspäin).

3. Peitä paristokotelon kansi.

### PUHDISTUS JA KUNNOSSAPITO

1. Varmista, että laite ei ole kuuma.

2. Irrota pistoke pistorasiasta ennen laitteen puhdistamista.

3. Pidä ilmanottoaukot puhtaina. Älä anna pölyn kerääntyä aukkoihin.

4. Puhdista kotelo vain kuivalla tai kostealla liinalla.

5. Älä upota laitetta veteen!

### TEKNISET TIEDOT:

Teho: 2200 W

Virtalähde: 220-240V ~ 50Hz



Suojellaksesi ympäristöäsi: hävitä pahvilaatikat ja muovipussit ja kierrätä ne niille tarkoitetuissa jäteastioissa. Käytetyt koneet tulevat toimittamaan niihin erioistuneisiin keräyspisteisiin ympäristölle vaarallisten aineiden takia. Älä hävitä laitteita sekajätteessä.

## Slovenščina

### SPLOŠNI VARNOSTNI POGOJI

POMEMBNA VARNOSTNA NAVODILA POSIMOMO, DA PREBERITE PREVIDNO IN Hranite za prihodnost.

1. Pred uporabo naprave preberite navodila za uporabo in sledite navodilom v njih.

- Proizvajalec ne odgovarja za škodo, ki bi nastala zaradi uporabe naprave v nasprotju s predvideno uporabo ali nepravilnim delovanjem.
2. Naprava je namenjena samo domači uporabi. Ne uporabljajte za druge namene, ki niso v skladu s predvideno uporabo.
  3. Naprava mora biti priključena na 220-240V ~ 50 / 60Hz. Da bi povečali varnost uporabe, veliko električnih naprav ne sme biti hkrati priključenih v en električni tokokrog.
  4. Bodite posebno previdni pri uporabi naprave, ko so v bližini otroci. Otrokom ne dovolite, da se igrajo z napravo, in ne dovolite, da jo uporabljajo otroci ali osebe, ki naprave ne poznajo.
  5. **OPOZORILO:** To opremo lahko uporabljajo otroci, starejši od 8 let, in osebe z zmanjšanimi fizičnimi, senzoričnimi ali duševnimi sposobnostmi ali osebe brez izkušenj ali znanja o opremi, če je to pod nadzorom osebe, odgovorne za njihovo varnost ali so jim bila dana navodila za varno uporabo naprave in se zavedajo nevarnosti, povezane z njeno uporabo. Otroci se ne smejo igrati z opremo. Otroci ne smejo izvajati čiščenja in vzdrževanja, razen če so starejši od 8 let in se te dejavnosti izvajajo pod nadzorom.
  6. Vedno po uporabi odstranite vtič iz vtičnice, tako da vtičnico držite z roko. Kabla NE vlecite.
  7. Kabla, vtiča in celotne naprave ne potaplajte v vodo ali katero koli drugo tekočino. Naprave ne izpostavljajte vremenskim razmeram (dež, sonce itd.) In je ne uporabljajte v pogojih z visoko vlažnostjo (kopalnice, vlažne mobilne hišice).
  8. Redno preverjajte stanje napajalnega kabla. Če je napajalni kabel poškodovan, ga mora zamenjati strokovna servisna delavnica, da se izognete nevarnosti.
  9. Naprave ne uporabljajte, če je napajalni kabel poškodovan ali če je padel ali kakor koli poškodovan ali če ne deluje pravilno. Naprave ne popravljajte sami, saj lahko povzroči električni udar. Poškodovano napravo odnesite v ustrezen servis za pregled ali popravilo. Morebitna popravila lahko izvajajo samo pooblaščené servisne službe. Nepravilno izvedena popravila lahko resno ogrozijo uporabnika.
  10. Napravo postavite na hladno, stabilno, ravno površino, stran od grelnih naprav, kot so električni štedilnik, plinski gorilnik itd.
  11. Naprave ne uporabljajte v bližini vnetljivih materialov.
  12. Za dodatno zaščito je priporočljivo v električno vezje vgraditi napravo za preostali tok (RCD) z nazivnim preostalim tokom, ki ne presega 30 mA. V zvezi s tem se posvetujte s specializiranim električarjem.
  13. Ko napravo uporabljate v kopalnici, po uporabi odstranite vtič iz vtičnice, saj je bližina vode nevarna tudi, ko je naprava izključena.
  14. Ne puščajte prstov ali kakršnih koli predmetov ali kovinskih tujkov znotraj izdelka skozi prezračevalno rešetko in druge reže, sicer lahko pride do električnega udara ali okvare.
  15. Na napravo ne postavljajte predmetov. Zračniki ne smejo biti pokriti z brisačo, zaveso itd. Lahko poškoduje napravo ali povzroči požar.
  16. Naprava se med delovanjem segreje, ne dotikajte se vročih delov naprave. Naprave se ne dotikajte z mokrimi rokami.

17. Če se konvektor zmoči ali kakšen predmet pade skozi rešetko za prezračevanje konvektorja, jo takoj izklopite in odklopite iz omrežja. Pred ponovnim zagonom z uporabo konvektorja se obrnite na servis.
18. Naprave ne postavljajte neposredno pod električno vtičnico.
19. Napravo vedno izklopite z gumbi, preden jo odklopite iz omrežja.
20. Te naprave ne uporabljajte, če je padla.
21. Ne uporabljajte, če so na napravi vidni znaki poškodbe.
22. Uporabite grelec na ravni in stabilni površini ali ga pritrдите na steno, če tako predvideva proizvajalec.
23. Vsi predmeti naj bodo oddaljeni najmanj 1 meter od sprednje in bočne strani naprave.
24. Ne vstavljajte in ne dovolite, da bi tuji predmeti vstopili v prezračevalne ali izpušne odprtine, saj lahko to povzroči električni udar, požar ali poškodbo izdelka.
25. Pogost vzrok pregrevanja je prah ali vlakna v napravi. Prepričajte se, da se ti nanosi redno odstranjujejo tako, da odklopite enoto in posesate odprtine in rešetke, filtre, če so na voljo.
26. Naprave ne uporabljajte v oknih, saj lahko dež povzroči električni udar.
27. Naprave ne priključujte na vir električne energije, dokler ni nameščena v končnem položaju in postavljena v položaj za uporabo.
28. Pri tej napravi ni priporočljivo uporabljati podaljška.
29. Kabla ne postavljajte pod preproge, preproge, preproge itd. Kabla držite stran od mest, kjer bi se lahko spotaknil onj.
30. Te naprave ne uporabljajte s programerjem, časovnikom ali katero koli drugo napravo, ki samodejno vklopi grelec, saj obstaja nevarnost požara, če je naprava prekrita ali nepravilno nameščena.
31. Da bi se izognili nevarnosti nenamerne ponastavitve toplotnega izklopa, naprave ne sme napajati zunanja preklopna naprava, kot je ura, ali priključiti na vezje, ki ga omrežje redno vklaplja in izklaplja.
32. Naprave ne zmočite. Če naprava pade v vodo, takoj odklopite vtič iz vtičnice. Ne puščajte rok v vodo, ko je naprava priključena na električno omrežje. Pred ponovno uporabo mora to preveriti pooblaščen servisni center.
33. Napravo je treba izklopiti, kadar jo odložite.
34. Naprave nikoli ne vklopite, ko rezervoar ni napolnjen z vodo.
35. Uporabljajte samo čisto in hladno vodo.
36. V rezervoar ne vlivajte vode nad mejno vrednostjo.
37. Podnožja naprave ne potaplajte.
38. V rezervoar, podstavek ali odtok za paro ne dodajajte kemikalij. V vodo ne dodajajte aromatičnih olj, soli, tablet za odstranjevanje vodnega kamna, praškov ali čistil.
39. Pokrov polnila / pokrov posode za vodo mora biti vedno privihan / zaprt.
40. Pazite, da odvod vlažne vlažne megle ne bo usmerjen neposredno na stene, pohištvo, električne vtičnice, električne in elektronske naprave ter otroke. Prevelika vlaga v prostoru

lahko povzroči kopičenje vlage, kar povzroči razmnoževanje bakterij in glivic ter poškoduje stene, pohištvo in ozadje.

41. Ne blokirajte prezračevanja naprave. Od naprave naj bo oddaljena vsaj 100 cm. S funkcijo vlažilca ne prekrivajte odvoda vodne meglice.

42. Naprave ne uporabljajte tam, kjer obstaja nevarnost kondenzacije. Na notranji in zunanji strani naprave lahko nastane vlaga, kadar:

- naprava se premakne iz hladnega v toplo mesto,
- ogrevalni sistem je bil pravkar vklopljen,
- naprava se uporablja v prostoru z visoko vlažnostjo,
- napravo hladi hladilni sistem klimatske naprave.

Ko v napravi pride do kondenzacije vlage, ta morda ne bo delovala pravilno, v skrajnih primerih pa se lahko poškoduje. V tem primeru naprave ne uporabljajte in pustite, da se suši nekaj ur.

43. Med delovanjem naprave ne nagibajte, padajte ali poskušajte napolniti ali izliti vode iz naprave.

44. Rezervoarja ne odstranjujte z dna naprave, medtem ko deluje funkcija vlažilca.

45. Napolnjen rezervoar za vodo je težek. Ko ga nosite, ga imejte tudi spodaj.

46. Naprave ne uporabljajte, če pušča voda.

47. Ne puščajte vode v rezervoarju, ko stroj ni v uporabi.

48. Vlažilec očistite po vsakem ciklu uporabe naprave. Upoštevajte navodila za čiščenje v tem priročniku.

49. Nikoli ne dovolite, da v rezervoarju ostane usedlina, vlaga ali voda (to lahko povzroči kontaminacijo ali celo poškodbo ultrazvočnega razpršilnika).

50. Med dolgotrajnim delovanjem naprave lahko vodna megla, ki jo oddaja vlažilec zraka, pade na tla in povzroči vlago.

**OPOZORILO:** Tega grelnika ne uporabljajte v majhnih prostorih, kjer so ljudje, ki jih sami ne morejo zapustiti, razen če je zagotovljen stalen nadzor.

**OPOZORILO:** Da bi zmanjšali nevarnost požara, hranite tekstil, zavese ali druge vnetljive materiale vsaj 1 m stran od odvoda zraka za grelnik.



"Previdno vroča površina" - Temperatura dostopnih površin je med obratovanjem lahko višja, kar pomeni, da se elementi ohlajajo med delovanjem med delovanjem segrejejo. POZOR !!!



OPOMBA: Da se izognete pregrevanju - grelnika ne pokrivajte. Naprave ne pokrivajte z oblačili, odejami ali drugim tekstilom, ki bi lahko povzročilo vžig.



Naprave ne uporabljajte v bližini vode, npr. pod prho, kadjo ali nad umivalnikom z vodo.

## MONTAŽA

Montaža podnožja (10): Poravnajte štiri luknje za pritrdilni vijak podnožja (10) z nosilci vijakov podstavka (10) in privijte s štirimi samoreznimi vijaki, da izdelek začnete uporabljati. Poglejte sliko 2.

## OPIS IZDELKA (slika 1)

1. Vlažen odvod zraka

2. Sprednja plošča zaslona

- |                            |                         |
|----------------------------|-------------------------|
| 3. Odvod zraka             | 4. Ohišje               |
| 5. Vstop za zrak           | 6. Hrbtna stran pokrova |
| 7. Pokrov za odtok         | 8. Zgornje plošče       |
| 9. Odtočni čep             | 10. Podstavek           |
| 11. Daljinski upravljalnik | 12. Stikalo za vklop    |

### OGNAKA ZGORNJE IN PREDNJE PLOŠČE IN DALJINSKEGA UPRAVLJANJA - Slika 3

- A. Gumb za stanje pripravljenosti  
 A1. Indikator delovanja ventilatorja  
 B. Gumb časovnika  
 B1. Indikator časovnika  
 B2. Kazalnik odštevanja časa / temperature / hlajenja  
 C. Gumb za časovnik / povišanje temperature  
 D. Gumb za časovnik / znižanje temperature  
 E. Gumb za regulacijo nivoja ogrevanja  
 E1. Indikator nizke stopnje ogrevanja  
 E2. Indikator visoke stopnje ogrevanja  
 F. Gumb za nihanje  
 G. Funkcijski gumb vlažilca  
 G1. Indikator vlažilca  
 H. Indikator temperature enote

#### UPORABA

1. Vklop: Napravo postavite na stabilna tla in vtaknite vtič v vtičnico. Vklopite stikalo za vklop (12) na zadnji strani izdelka. "I" pomeni vklopljen, "0" pomeni izklopljen. Trenutno je naprava v stanju pripravljenosti, zaslon prikazuje temperaturo okolice (B2) in zasveti indikator temperature enote (H).

#### 2. Ventilator

Pritisnite gumb (A), indikator (A1) zasveti in ventilator deluje (zrak pretakate pri sobni temperaturi).

#### 3. Ogrevanje

Enkrat pritisnite gumb (E) za nizko stopnjo ogrevanja ~ 1500W, zaslon zasveti indikator (E1).

Za visoko ogrevanje 2200 W dvakrat pritisnite gumb (E), zaslon bo zasvetil oba indikatorja (E1 + E2).

Ponovno pritisnite gumb (E), da preključite ogrevanje.

Funkcija TIMER: Večkrat pritisnite gumb (B), da nastavite obdobje, po katerem se naprava samodejno izklopi (med 1,0 uro in 12,0 urami v korakih po 60 minut). Istočasno se prikaže lučka indikatorja časovnika (B1).

Funkcija OSCILLATION: Pritisnite gumb (F), da aktivirate nihanje, naprava se bo zanihala v desno in levo, da bo izpušni zrak enakomerno porazdelil. Ponovno pritisnite gumb (F), da preključite funkcijo nihanja.

#### PRILAGAJANJE TEMPERATURE

S pritiskom gumba (D) ali (C) prilagodite sobno temperaturo. Privzeta nastavitvena temperatura je 25 ° C. Temperaturno območje od 10-35 ° C. Pritisnite gumb (D), da zvišate zeleno temperaturo, in pritisnite gumb (C), da znižate zeleno temperaturo. Naprava je inteligentno programirana in izbere delovno raven med nizko ali visoko vročino glede na zeleno temperaturo in trenutno temperaturo okolice.

#### FUNKCIJA VLAŽENJA

Najprej nalijte vodo v rezervoar za vodo (13) v skladu s spodaj opisanimi navodili. Če želite vodo naliti v rezervoar za vodo (13), najprej odklopite napravo. Nato pritisnite navzdol in povlecite zunaj štrlečega dela na zadnjem pokrovu (6) - pogledjte sliko 4. Izvlecite posodo za vodo (13) iz ohišja, odvijte čep posode za vodo (13) v nasprotni smeri urnega kazalca, nalijte čisto vodo (ne dodana eterična olja) in tesno privijte čep. Rezervoar za vodo (13) vstavite v ohišje. Pokrov pravilno namestite na dve mesti zapahov in ga potisnite, da se zapre. Vlažilna funkcija se lahko uporablja normalno. Priključite napravo.

Pritisnite gumb (G), izdelek vklopi funkcijo vlaženja, indikator vlaženja (G1) zasveti. Ponovno pritisnite gumb (G), da izklopite funkcijo vlaženja, hkrati pa indikator vlaženja (G1) ugasne. Funkcijo vlaženja lahko uporabite tudi ločeno, ko je funkcija ventilatorja / ogrevanja izklopljena, vendar je vklopljeno.

Za iztekanje vode odprite odtočni pokrov (7), povlecite odtočni čep (9) in izpustite opozorilno vodo v ustrezen rezervoar.

Če naprave dolgo ne uporabljate, je treba vodo v rezervoarju izprazniti.

Veljavni okoljski pogoji za delovanje naprave:

- temperatura uporabe funkcije ogrevanja v območju od -20 ° C do 25 ° C.
- uporaba funkcije vlažilca pri temperaturi od 5 ° C do 40 ° C in relativni vlažnosti manj kot 80%.

Za izklop naprave znova pritisnite gumb (A). Nato ventilator v 30 sekundah ohladi grelni element v ohišju, nato pa se samodejno izklopi. Če naprava prej ni vklopila funkcije ogrevanja, gre neposredno v stanje pripravljenosti.

Osvetlitev sprednje zaslone (2): Ko naprava deluje 10 minut, samodejno preklopi v način izklopa zaslona, pritisnite katero koli tipko, da zasveti zaslon.

Daljinski upravljalnik: Pred uporabo daljinskega upravljalnika (11) odstranite kos plastične folije na desni strani daljinskega upravljalnika. Daljinsko upravljanje je enako kot ročno upravljanje zgornje plošče (8).

#### KAKO MENJATI BATERIJO DALJINSKIH NADZOROV:

1. Pokrov baterije lahko odprete s kovancem ali podobnim.
2. Namestite akumulator gumba, bodite pozorni na polariteto akumulatorja ("+" obrnjeno navzgor in "-" obrnjeno navzdol).
3. Pokrijte pokrov baterije.

#### ČIŠČENJE IN VZDRŽEVANJE

1. Prepričajte se, da naprava ni vroča.
2. Pred čiščenjem naprave odstranite vtič iz električne vtičnice.
3. Odprtine za dovod in odtok zraka naj bodo čiste. Ne dovolite, da se na odprtinah nabira prah.
4. Ohišje očistite samo s suho ali vlažno krpo.
5. Naprave ne potaplajte v vodo!

#### TEHNIČNI PODATKI:

Moč: 2200W

Napajanje: 220-240V ~ 50Hz



#### Zaščita okolja

Prosimo ločite kartonske škatle od plastičnih vreč, ter jih odvrzite v primerne koše za smeti. Odslužene naprave zavržite v zbirne centre zaradi nevarnih komponent, ki lahko ogrožajo okolje. Naprave ne zavržite v navaden koš za smeti.

## KARTA GWARANCYJNA

WARUNKI GWARANCJI obowiązują na terenie Rzeczypospolitej Polskiej

Adler Sp. z o.o. ul. Orłona 2a 01-237 Warszawa zapewnia Użytkownika o dobrej jakości sprzętu, na który wydana jest niniejsza karta gwarancyjna i udziela 24 miesięcznej gwarancji, która liczy się od daty zakupu sprzętu. Usługi gwarancyjne świadczone są po okazaniu prawidłowo wypełnionej karty gwarancyjnej. Wady lub uszkodzenia sprzętu ujawnione w okresie gwarancji usuwane będą bezpłatnie przez Serwis Centralny. W przypadku zakupu sprzętu przez przedsiębiorcę (faktura VAT) okres gwarancji wynosi 12 miesięcy. Powyższy zapis nie dotyczy jednoosobowych działalności gospodarczych, o ile rodzaj zakupionego sprzętu, nie jest związany z profilem prowadzonej działalności gospodarczej – weryfikacja w CEIDG.

W przypadku wymiany rzeczy na nową, albo po dokonaniu istotnej naprawy, okres gwarancji biegnie na nowo od chwili dostarczenia klientowi rzeczy wolnej od wad, lub zwrócenia rzeczy naprawionej. Jeżeli gwarant wymienił część rzeczy, przepis powyższy stosuje się odpowiednio do części wymienionej. Gwarant zobowiązuje się pokryć koszty dostarczenia rzeczy do serwisu na adres wskazany w karcie gwarancyjnej. Jednakże uprawniony z gwarancji powinien zachować rozsądek, wybierając środek transportu. Uprawnionemu z gwarancji nie przysługują od gwaranta zwrot kosztów dostarczenia towaru – rzeczy do naprawy gwarancyjnej, przekraczający ekonomicznie uzasadnione koszty przewozu.

**UWAGA:** Sprzęt przeznaczony jest wyłącznie do użytku domowego. Naprawami gwarancyjnymi nie są objęte czynności związane z odkamienianiem, konserwacją, czyszczeniem urządzenia oraz części i akcesoria ulegające zużyciu przy normalnym użytkowaniu. Gwarancja nie obejmuje mechanicznych uszkodzeń sprzętu oraz wad i uszkodzeń wynikłych wskutek:

- niewłaściwego lub niezgodnego z instrukcją użytkowania, przechowywania i konserwacji;
- ingerencji nieautoryzowanego serwisu, samowolnych napraw, przeróbek i zmian konstrukcyjnych;
- użycia niewłaściwych materiałów eksploatacyjnych.
- uszkodzeń mechanicznych, termicznych, chemicznych i powstałych na skutek przepięcia w sieci.
- karta gwarancyjna jest nieważna bez daty zakupu, pieczęci sprzedającego i kopii dokumentu zakupu.
- gwarancją nie są objęte elementy eksploatacyjne i akcesoria w tym: elementy szklane (np. dzbanki, talerze), sznury przyłączeniowe, sieciowe, żarówki, baterie, nożyki i folie do urządzeń tnących, nasadki miksujące, trzepaki, mieszaki, ssawkoszczotki, rury, węże, kubki miksujące, głowice tnące i sita.

Reklamowany sprzęt jest dostarczany do Serwisu Centralnego przez Klienta w stanie kompletnym i odpowiednio zabezpieczony na czas transportu. Po dokonanej naprawie reklamowany sprzęt odbierany jest z Serwisu Centralnego przez Klienta.

Termin usunięcia wady może zostać wydłużony o czas potrzebny do importu niezbędnych części, nie dłuższy niż 30 dni roboczych. W każdym takim przypadku warsztat serwisowy powiadomi klienta o wydłużeniu terminu naprawy gwarancyjnej. W związku z koniecznością sprowadzenia części zamiennych i poinformuje o nowym terminie usunięcia wady.

W przypadku stwierdzenia usterki należy ją zgłosić w punkcie sprzedaży lub w Serwisie Centralnym, ul. Orłona 2A, 01-237 Warszawa, tel. 728-595-006 lub e-mail: [serwis@adler.com.pl](mailto:serwis@adler.com.pl).

W zgłoszeniu proszę podać swój adres, nr telefonu i opis usterki. Do reklamacji konieczne jest dołączenie kopii dokumentu zakupu.

Gwarancja nie wyłącza ani nie ogranicza oraz nie zawiesza uprawnień kupującego wynikających z przepisów o rękojmi za wady rzeczy sprzedanej.

SERWIS CENTRALNY

01-237 Warszawa ul.Orłona 2A

tel. 728 - 595 - 006

[serwis@adler.com.pl](mailto:serwis@adler.com.pl) [www.adler.com.pl](http://www.adler.com.pl)

.....  
(data sprzedaży)

.....  
(pieczęć sklepu i podpis sprzedawcy)

adnotacje serwisu:



### W trosce o środowisko..

Opakowania kartonowe oraz worki polietylenowe (PE) należy wrzucać do odpowiednich pojemników przeznaczonych do selektywnej zbiórki odpadów komunalnych zgodnie z ich opisem. Jeżeli w urządzeniu znajdują się baterie, należy je wyjąć i osobno oddać do punktu zbierania i składowania. Zużyte urządzenia należy oddać do odpowiedniego punktu zbierania i składowania, gdyż znajdujące się w nim niebezpieczne substancje mogą stanowić zagrożenie dla zdrowia i środowiska. Oznaczenie umieszczone na produkcie wskazuje, że urządzenia nie należy wyrzucać do pojemnika z odpadami komunalnymi.

Zużyty sprzęt elektryczny, to odpady, które zawierają substancje szkodliwe dla ludzi, zwierząt i środowiska. Substancje te mogą doprowadzić do zanieczyszczenia gleby, wody lub powietrza, a poprzez to mogą się dostać do organizmu człowieka i doprowadzić do licznych dolegliwości zdrowotnych, takich jak: zaburzenia wzroku, słuchu, mowy, mogą również doprowadzić do uszkodzenia nerek, wątroby i serca, oraz wywołać choroby skóry. Substancje szkodliwe mogą mieć również niekorzystny wpływ na układ oddechowy i rozrodzić oraz doprowadzić do zmian nowotworowych. Spożycie roślin rosnących na skażonych glebach, oraz produktów powstałych z nich może grozić w/w skutkami zdrowotnymi.



**Urządzenia nie wyrzucać do pojemnika na odpady komunalne !!!!**

## OGÓLNE WARUNKI BEZPIECZEŃSTWA WAŻNE INSTRUKCJE DOTYCZĄCE BEZPIECZEŃSTWA UŻYTKOWANIA PRZECZYTAJ UWAŻNIE I ZACHOWAJ NA PRZYSZŁOŚĆ

1. Przed rozpoczęciem użytkowania urządzenia przeczytać instrukcję obsługi i postępować według wskazówek w niej zawartych. Producent nie odpowiada za szkody spowodowane użytkowaniem urządzenia niezgodnie z jego przeznaczeniem lub niewłaściwą jego obsługą.
2. Urządzenie służy wyłącznie do użytku domowego. Nie używać do innych celów, niezgodnych z jego przeznaczeniem.
3. Urządzenie należy podłączyć do 220-240V ~ 50/60Hz. W celu zwiększenia bezpieczeństwa użytkownika do jednego obwodu prądu nie należy równocześnie włączać wielu urządzeń elektrycznych.
4. Należy zachować szczególną ostrożność podczas korzystania z urządzenia, gdy w pobliżu przebywają dzieci. Nie należy dopuszczać dzieci do zabawy urządzeniem nie pozwól dzieciom ani osobom nie zaznajomionym z urządzeniem na jego użytkowanie.
5. **OSTRZEŻENIE:** Niniejszy sprzęt może być użytkowany przez dzieci powyżej 8 roku życia oraz osoby o ograniczonej zdolności fizycznej, czuciowej lub psychicznej, lub osoby nie mające doświadczenia lub znajomości sprzętu, jeśli odbywa się to pod nadzorem osoby odpowiadającej za ich bezpieczeństwo lub zostały im udzielone wskazówki na temat bezpiecznego użytkowania urządzenia i mają świadomość niebezpieczeństwa związanego z jego użytkowaniem. Dzieci nie powinny bawić się sprzętem. Czyszczenie i konserwacja urządzenia nie powinna być wykonywana przez dzieci, chyba że są powyżej 8 roku życia a czynności te są wykonywane pod nadzorem.
6. Zawsze po zakończeniu używania, wyjmij wtyczkę z gniazda zasilającego poprzez przytrzymanie gniazdka ręką. **NIE** ciągnąć za sznur sieciowy.
7. Nie zanurzać kabla, wtyczki oraz całego urządzenia w wodzie lub innej cieczy. Nie wystawiaj urządzenia na działanie warunków atmosferycznych (deszczu, słońca, etc.) ani nie używaj w warunkach podwyższonej wilgotności (łazienki, wilgotne domki kempingowe).
8. Okresowo sprawdzaj stan przewodu zasilającego. Jeżeli przewód zasilający jest uszkodzony, to powinien on być wymieniony przez specjalistyczny zakład naprawczy w celu uniknięcia zagrożenia.
9. Nie używaj urządzenia z uszkodzonym przewodem zasilającym lub jeśli zostało upuszczone lub uszkodzone w jakikolwiek inny sposób lub nieprawidłowo pracuje. Nie naprawiaj urządzenia samodzielnie, gdyż grozi to porażeniem. Uszkodzone urządzenie oddaj do właściwego punktu serwisowego w celu sprawdzenia lub dokonania naprawy. Wszelkich napraw mogą dokonywać wyłącznie uprawnione punkty serwisowe. Nieprawidłowo wykonana naprawa może spowodować poważne zagrożenie dla użytkownika.
10. Należy stawiać urządzenie na chłodnej stabilnej, równej powierzchni, z dala od nagrzewających się urządzeń kuchennych jak: kuchenka elektryczna, palnik gazowy, itp.
11. Nie korzystać z urządzenia w pobliżu materiałów łatwopalnych.
12. Do zapewnienia dodatkowej ochrony, wskazane jest zainstalowanie w obwodzie



elektrycznym, urządzenia różnicowoprądowego (RCD) o znamionowym prądzie różnicowym nie przekraczającym 30 mA. W tym zakresie należy zwrócić się do specjalisty elektryka.

13. Gdy urządzenie jest używana w łazience, po użyciu go wyjąć wtyczkę z gniazdka, gdyż bliskość wody stanowi zagrożenie nawet wtedy, kiedy urządzenie jest wyłączone.

14. Nie wolno wkładać palców lub jakichkolwiek przedmiotów oraz metalowych ciał obcych do wnętrza produktu, przez kratkę wentylacyjną i inneszczeliny, w przeciwnym razie może to spowodować porażenie prądem lub nieprawidłowe działanie.

15. Nie kładź żadnych przedmiotów na urządzeniu. Otwory wentylacyjne nie mogą być zakryte przez ręcznik, zasłonę itp. Grozi to uszkodzeniem urządzenia lub pożarem.

16. Urządzenie podczas pracy nagrzewa się, nie dotykać gorących elementów urządzenia. Nie dotykać urządzenia mokrymi rękami.

17. W przypadku zamoczenia konwektora lub wpadnięcia jakiegokolwiek przedmiotu przez kratkę wentylacyjną konwektora, wyłącz go natychmiast i odłącz od sieci. Przed ponownym korzystaniem z konwektora skontaktuj się z serwisem.

18. Nie umieszczaj urządzenia bezpośrednio poniżej gniazdka elektrycznego.

19. Zawsze wyłączaj urządzenie przyciskami przed odłączeniem go od sieci elektrycznej.

20. Nie używaj tego urządzenia, jeśli został upuszczony.

21. Nie używać, jeśli istnieją widoczne ślady uszkodzenia urządzenia.

22. Używaj grzejnika na poziomej i stabilnej powierzchni lub przymocuj go do ściany, jeśli producent przewidział taką możliwość.

23. Wszystkie przedmioty powinny znajdować się co najmniej 1 metr od przodu i boków urządzenia.

24. Nie wkładaj ani nie pozwalaj ciałom obcym dostać się do otworów wentylacyjnych lub wylotowych, ponieważ może to spowodować porażenie prądem, pożar lub uszkodzenie urządzenia.

25. Częstą przyczyną przegrzania jest osadzanie się kurzu lub kłaczek w urządzeniu. Upewnij się, że osady te są regularnie usuwane, odłączając urządzenie i odkurzając otwory wentylacyjne i kratki, filtry jeśli są dostępne.

26. Nie używaj tego urządzenia w oknie, ponieważ deszcz może spowodować porażenie prądem.

27. Nie podłączaj urządzenia do źródła zasilania, dopóki nie zostanie zainstalowane w docelowym miejscu i ustawione do pozycji, w której będzie używane.

28. Nie zaleca się używania przedłużacza z tym urządzeniem.

29. Nie układaj przewodu pod wykładziną, dywanami, chodnikami itp. Ułóż przewód z dala od miejsc, w których może się o niego potknąć.

30. Nie używaj tego urządzenia z programatorem, czasomierzem ani żadnym innym urządzeniem, które automatycznie włącza grzejnik, ponieważ istnieje ryzyko pożaru, jeśli urządzenie zostanie przykryte lub umieszczone nieprawidłowo.

31. Aby uniknąć niebezpieczeństwa wynikającego z niezamierzonego zresetowania wyłącznika termicznego, to urządzenie nie może być zasilane przez zewnętrzne urządzenie przełączające, takie jak zegar, ani podłączane do obwodu, który jest regularnie włączany i

wyłączany przez sieć.

32. Nie dopuszczać do zamoczenia urządzenia. W przypadku, gdy urządzenie wpadnie do wody, natychmiast wyciągnąć wtyczkę z gniazdka sieciowego. Nie wolno wkładać rąk do wody, gdy urządzenie jest włączone do sieci. Przed ponownym użyciem musi być ono sprawdzone przez autoryzowany serwis..

33. Urządzenie należy wyłączać każdorazowo przy odkładaniu go.

34. Nigdy nie włączaj urządzenia gdy zbiornik nie jest napełniony wodą.

35. Używaj tylko i wyłącznie czystej, chłodnej wody.

36. Nie nalewaj wody do zbiornika powyżej poziomu maksymalnego.

37. Nie zanurzać podstawy urządzenia.

38. Nie dodawaj do zbiornika, podstawy ani wylotu pary wodnej żadnych substancji chemicznych. Nie dodawaj do wody olejków aromatycznych, soli, tabletek do odkamieniania, proszków ani substancji czyszczących.

39. Nakrętka wlewu / pokrywa zbiornika na wodę powinna być zawsze dokładnie zakręcona / zamknięta.

40. Zwróć uwagę, by wylot mgły wodnej nawilzacza nie był skierowany bezpośrednio w stronę ścian, mebli, gniazd elektrycznych, urządzeń elektrycznych i elektronicznych oraz dzieci. Zbyt duży poziom wilgotności w pomieszczeniu może prowadzić do nagromadzenia się wilgoci, powodując rozwój bakterii i grzybów oraz uszkodzenie ścian, mebli, tapet.

41. Nie blokuj wentylacji urządzenia. Zachowaj odstęp co najmniej 100 cm od urządzenia. Nie blokuj wylotu mgły wodnej funkcji nawilzacza.

42. Nie używać urządzenia w przypadku ryzyka wystąpienia kondensacji. Wilgoć może się formować na wewnętrznych i zewnętrznych częściach urządzenia, kiedy:

- urządzenie jest przeniesione z zimnego do ciepłego miejsca,
- system ogrzewania został dopiero włączony,
- urządzenie jest używane w pomieszczeniu o dużej wilgotności,
- urządzenie jest schłodzone przez system chłodzenia klimatyzacji.

Kiedy w urządzeniu wystąpi zjawisko kondensacji wilgoci, może ono nie działać prawidłowo lub w skrajnych przypadkach może ulec uszkodzeniu. W takim przypadku urządzenia nie należy używać i pozostawić je na kilka godzin do wyschnięcia.

43. Nie przechylaj, przewracaj ani nie próbuj uzupełniać lub wylewać wody z urządzenia podczas pracy.

44. Nie zdejmuj zbiornika z podstawy urządzenia podczas pracy funkcji nawilzacza.

45. Napełniony zbiornik z wodą jest ciężki. Podczas przenoszenia go, trzymaj go także pod spodem.

46. Nie używaj urządzenia w przypadku stwierdzenia wycieku wody.

47. Nie zostawiaj wody w zbiorniku, jeśli urządzenie nie jest używane.

48. Czyść nawilzacz po każdym cyklu używania urządzenia. Stosuj się do zaleceń czyszczenia zawartych w tej instrukcji.

49. Nigdy nie dopuszczaj, aby w zbiorniku pozostał osad, wilgoć lub woda (może to spowodować zanieczyszczenie lub nawet uszkodzenie rozpylacza ultradźwiękowego).

50. Podczas długotrwałej pracy urządzenia mgła wodna emitowana przez nawilżacz może opadać na podłogę i powodować zawilgocenie.

**OSTRZEŻENIE:** Nie używaj tego grzejnika w małych pomieszczeniach, w których znajdują się osoby, które nie są w stanie samodzielnie ich opuścić, chyba że zapewniony jest nad nimi stały nadzór.

**OSTRZEŻENIE:** Aby zmniejszyć ryzyko pożaru, tekstylna, zasłony lub inne materiały łatwopalne, należy trzymać w odległości co najmniej 1 m od wylotu powietrza ogrzewacza.



„Uwaga gorąca powierzchnia” - Temperatura dostępnych powierzchni może być wyższa podczas pracy urządzenia, co oznacza, że elementy obudowy nagrzewają się podczas pracy podczas pracy, OSTROŻNIE !!!



**UWAGA:** Aby uniknąć przegrzania - nie przykrywaj grzejnika. Urządzenia nie należy przykrywać odzieżą, kocami i innymi produktami tekstylnymi, które mogą spowodować zapłon.



Nie wolno używać urządzenia w pobliżu wody np.: pod prysznicem, w wannie ani nad umywalką z wodą.

## MONTAŻ

Montaż podstawy (10): Dopasuj cztery otwory na śruby mocujące w podstawie (10) do słupków śrub podstawy (10) i przykręć czterema wkrętami samogwintującymi, aby rozpocząć użytkowanie produktu. Spójrz na rysunek 2.

## OPIS PRODUKTU

- |                                |                                |
|--------------------------------|--------------------------------|
| 1. Wylot nawilżonego powietrza | 2. Frontowy panel wyświetlacza |
| 3. Wylot powietrza             | 4. Obudowa                     |
| 5. Wlot powietrza              | 6. Tylna pokrywa               |
| 7. Osłona spustowa             | 8. Panel górny                 |
| 9. Korek spustowy              | 10. Podstawa                   |
| 11. Pilot zdalnego sterowania  | 12. Przełącznik zasilania      |

## OZNAKOWANIE GÓRNEGO PANELU & PANELU PRZEDNIEGO PANELU & PILOTA ZDALNEGO STEROWANIA - Rysunek 3

- A. Przycisk czuwania
- A1. Wskaźnik funkcji wentylatora
- B. Przycisk timera
- B1. Wskaźnik timera
- B2 Wskaźnik odliczania czasu / temperatury / schładzania
- C. Przycisk timera / wzrostu temperatury
- D. Przycisk timera / obniżania temperatury
- E. Przycisk regulacji poziomu ogrzewania
- E1. Wskaźnik niskiego poziomu ogrzewania
- E2. Wskaźnik wysokiego poziomu ogrzewania
- F. Przycisk oscylacji
- G. Przycisk funkcji nawilżania
- G1. Wskaźnik nawilżacza
- H. Wskaźnik jednostki temperatury

## ZASTOSOWANIE

1. Włączanie: Ustaw urządzenie na stabilnej podłodze i włóż wtyczkę do gniazdka. Włącz przełącznik zasilania (12) z tyłu produktu. „I” oznacza włączone, „0” wyłączone. W tym czasie urządzenie znajduje się w trybie czuwania, wyświetlacz pokazuje temperaturę otoczenia (B2), a wskaźnik jednostki temperatury (H) świeci się.
2. Wentylator  
Wciśnij przycisk (A), kontrolka (A1) zaświeci się i wentylator będzie pracował (nawiew powietrza w temperaturze pokojowej).
3. Ogrzewanie  
Naciśnij raz przycisk (E), aby włączyć ogrzewanie na niskim poziomie około 1500W, na wyświetlaczu zaświeci się wskaźnik (E1).  
Naciśnij przycisk (E) dwa razy, aby uzyskać wysoki poziom ogrzewania 2200W, na wyświetlaczu zaświecą się oba wskaźniki (E1 + E2).  
Naciśnij ponownie przycisk (E), aby anulować ogrzewanie.

Funkcja TIMER: Naciśnij kilkakrotnie przycisk (B), aby ustawić czas, po którym urządzenie wyłączy się (od 1,0 godziny do 12,0 godzin, w odstępach co 60 minut). Jednocześnie świeci się wskaźnik timera (B1).

Funkcja OSCYLACJI: Naciśnij przycisk (F), aby włączyć oscylację, urządzenie będzie się obracać w prawo i w lewo, aby równomiernie rozprowadzać powietrze wywiewane. Naciśnij ponownie przycisk (F), aby anulować funkcję oscylacji.

#### REGULACJA TEMPERATURY

Ustaw temperaturę w pomieszczeniu za pomocą przycisku (D) lub (C). Domyślne ustawienie temperatury to 25°C. Zakres temperatur to 10-35°C.. Wciśnij przycisk (D), aby zwiększyć żadaną temperaturę i naciśnij przycisk (C), aby obniżyć żadaną temperaturę. Urządzenie jest inteligentnie zaprogramowane, wybiera poziom pracy pomiędzy niskim lub wysokim grzaniem w zależności od żadanej temperatury i aktualnej temperatury otoczenia.

#### FUNKCJA NAWILŻANIA

Najpierw wlej wodę do zbiornika na wodę (13) zgodnie z instrukcją opisaną poniżej. Aby wlać wodę do zbiornika na wodę (13), najpierw odłącz urządzenie. Następnie docisnąć i odciągnąć na zewnątrz wystającą część tylnej pokrywy (6) - patrz rysunek 4. Wyjmij zbiornik na wodę (13) z obudowy, odkręć korek zbiornika na wodę (13) w lewo, wlej czystą wodę bez dodatków olejów eterycznych i zakręć mocno korek. Włóż zbiornik na wodę (13) do obudowy. Umieść pokrywę w miejscu dwóch zatrzasków i dobrze ją docisnąć. Funkcji nawilżania można używać normalnie. Podłącz urządzenie.

Naciśnij przycisk (G), produkt włączy funkcję nawilżania, zaświeci się wskaźnik nawilżania (G1). Naciśnij ponownie przycisk (G), aby wyłączyć funkcję nawilżania, w tym samym czasie wskaźnik nawilżania (G1) wyłączy się. Funkcji nawilżania można również używać oddzielnie, gdy funkcja wentylatora / ogrzewania jest wyłączona, ale włączone jest zasilanie.

Aby spuścić wodę, otwórz pokrywę spustową (7), wyciągnij korek spustowy (9) i spuść pozostałą wodę do odpowiedniego zbiornika. Gdy urządzenie nie jest używane przez dłuższy czas, należy spuścić wodę w zbiorniku.

Obowiązujące warunki środowiskowe dla działania urządzenia:

- temperatura użytkowania funkcji grzania w zakresie: od -20°C. do 25°C.
- funkcja nawilżania działa w zakresie temperatur od 5°C do 40°C i wilgotności względnej poniżej 80%.

UWAGA: W wyniku ciągłych ulepszeń projekt i specyfikacje produktu mogą nieznacznie różnić się od jednostki przedstawionej na opakowaniu.

Aby wyłączyć urządzenie, naciśnij ponownie przycisk (A). Następnie wentylator schłodzi element grzejny wewnątrz obudowy przez 30 sekund, po czym wentylator automatycznie się wyłączy. Jeśli urządzenie nie było wcześniej ustawione na funkcję grzania, przejdzie bezpośrednio do trybu czuwania.

Wyłączenie podświetlenia przedniego panelu wyświetlacza (2): Po 10 minutach pracy urządzenia, automatycznie przejdzie w tryb wyłączania światła, naciśnij dowolny klawisz, aby podświetlić ekran.

Pilot zdalnego sterowania: Przed użyciem pilota (11), zdejmij plastikową folię znajdującą się z prawej strony pilota. Obsługa pilota jest taka sama, jak ręczna obsługa panelu górnego (8).

#### JAK WYMIENIĆ BATERIĘ PILOTA:

1. Pokrywę baterii można otworzyć za pomocą monety lub podobnego przedmiotu.
2. Włożyć baterię guzikową, zwracając uwagę na biegunowość baterii („+” do góry i „-” do dołu).
3. Zakryj pokrywę baterii.

#### CZYSZCZENIE I KONSERWACJA

1. Upewnij się, że urządzenie nie jest gorące.
2. Przed czyszczeniem wyjmij wtyczkę z gniazdka elektrycznego.
3. Utrzymywać w czystości otwory wlotowe i wylotowe powietrza. Nie wolno dopuścić do gromadzenia się kurzu na otworach.
4. Obudowę czyścić wyłącznie suchą lub wilgotną szmatką.
5. Nie zanurzać urządzenia w wodzie!

#### DANE TECHNICZNE:

Moc: 2200W

Zasilanie: 220-240V ~50Hz

OBECNÉ BEZPEČNOSTNÍ PODMÍNKY  
DŮLEŽITÉ BEZPEČNOSTNÍ POKYNY PROŠÍM POZORNĚ PŘEČTĚTE A  
UCHOVÁVEJTE PRO BUDOUCÍ REFERENCI

1. Před použitím zařízení si přečtěte návod k použití a postupujte podle pokynů v něm obsažených. Výrobce není odpovědný za jakékoli škody způsobené používáním zařízení v rozporu s jeho určením nebo nesprávným používáním.
2. Spotřebič je určen pouze pro domácí použití. Nepoužívejte k jiným účelům, než které jsou v souladu s jeho určením.
3. Zařízení by mělo být připojeno k napětí 220-240 V ~ 50/60 Hz. Aby se zvýšila bezpečnost používání, mnoho elektrických zařízení by nemělo být připojeno k jednomu elektrickému obvodu současně.
4. Buďte obzvláště opatrní při používání zařízení, když jsou v blízkosti děti. Nedovolte dětem, aby si hrály se zařízením, a nedovolte dětem nebo osobám, které nejsou obeznámeny se zařízením, používat jej.
5. **VAROVÁNÍ:** Toto zařízení mohou používat děti starší 8 let a lidé se sníženými fyzickými, smyslovými nebo mentálními schopnostmi nebo lidé, kteří nemají žádné zkušenosti nebo znalosti o tomto zařízení, pokud tak činí pod dohledem osoby odpovědné za jejich bezpečnost nebo jim byly poskytnuty pokyny k bezpečnému používání zařízení a jsou si vědomi nebezpečí spojených s jeho používáním. Děti by si s tímto zařízením neměly hrát. Čištění a uživatelskou údržbu by neměly provádět děti, pokud nejsou starší 8 let a tyto činnosti nejsou prováděny pod dohledem.
6. Vždy po použití vytáhněte zástrčku ze zásuvky tak, že ji budete držet rukou. Netahejte za kabel.
7. Neponořujte kabel, zástrčku a celé zařízení do vody nebo jiné kapaliny. Nevystavujte zařízení povětrnostním podmínkám (děšť, slunce atd.) Ani jej nepoužívejte za podmínek vysoké vlhkosti (koupelny, vlhké mobilní domy).
8. Pravidelně kontrolujte stav napájecího kabelu. Pokud je napájecí kabel poškozen, měl by být vyměněn v odborném servisu, aby se předešlo nebezpečí.
9. Nepoužívejte spotřebič, pokud je poškozený napájecí kabel, spadl nebo byl jakýmkoli způsobem poškozen nebo pokud nefunguje správně. Neopravujte zařízení sami, protože by mohlo dojít k úrazu elektrickým proudem. Poškozené zařízení odnese do příslušného servisního střediska ke kontrole nebo opravě. Opravy smí provádět pouze autorizovaná servisní místa. Nesprávně provedené opravy mohou pro uživatele představovat vážnou hrozbu.
10. Umístěte zařízení na chladný, stabilní a rovný povrch, mimo dosah topných zařízení, jako jsou: elektrický sporák, plynový hořák atd.
11. Nepoužívejte zařízení v blízkosti hořlavých materiálů.
12. Z důvodu dodatečné ochrany se doporučuje do elektrického obvodu nainstalovat proudový chránič (RCD) se jmenovitým zbytkovým proudem nepřesahujícím 30 mA. V tomto ohledu se obraťte na odborného elektrikáře.

13. Pokud se zařízení používá v koupelně, po použití vytáhněte zástrčku ze zásuvky, protože blízkost vody představuje nebezpečí, i když je zařízení vypnuté.
14. Nestrkejte prsty, žádné předměty nebo kovové cizí předměty dovnitř produktu, ventilační mřížkou a jinými otvory, jinak by mohlo dojít k úrazu elektrickým proudem nebo poruše funkce.
15. Na horní část zařízení nepokládejte žádné předměty. Průduchy nesmí být zakrytý ručníkem, záclonou atd. Mohlo by dojít k poškození zařízení nebo k požáru.
16. Zařízení se během provozu zahřívá, nedotýkejte se horkých částí zařízení. Nedotýkejte se zařízení mokřýma rukama.
17. Pokud konvektor navlhne nebo do něj spadne nějaký předmět větrací mřížku konvektoru, okamžitě ji vypněte a odpojte od sítě. Před opětovným spuštěním pomocí konvektoru kontaktujte službu.
18. Neumísťujte stroj přímo pod elektrickou zásuvku.
19. Před odpojením od sítě přístroj vždy vypněte pomocí tlačítek.
20. Nepoužívejte toto zařízení, pokud bylo upuštěno.
21. Nepoužívejte, pokud jsou na zařízení viditelné známky poškození.
22. Ohřívač používejte na rovném a stabilním povrchu nebo jej připevněte ke zdi, pokud to stanoví výrobce.
23. Všechny předměty by měly být nejméně 1 metr od přední a boční strany zařízení.
24. Nezasunujte a nedovolte cizím předmětům vniknout do ventilačních nebo odvětrávacích otvorů, protože by to mohlo způsobit úraz elektrickým proudem, požár nebo poškození produktu.
25. Běžnou příčinou přehřátí je prach nebo nečistoty uvnitř zařízení. Zajistěte, aby byly tyto usazeniny pravidelně odstraňovány vytažením zástrčky ze zásuvky a vysáváním větracích otvorů a mřížek, filtrů, jsou-li k dispozici.
26. Nepoužívejte toto zařízení v okně, protože déšť může způsobit úraz elektrickým proudem.
27. Nepřipojujte spotřebič ke zdroji energie, dokud není nainstalován v konečné poloze a není v poloze pro použití.
28. Nedoporučuje se s tímto zařízením používat prodlužovací kabel.
29. Neumísťujte kabel pod koberce, koberečky atd. Kabel udržujte mimo místa, kde by o něj mohl zakopnout.
30. Nepoužívejte toto zařízení s programátorem, časovačem nebo jiným zařízením, které automaticky zapíná ohřívač, protože při nesprávném zakrytí nebo nesprávném umístění hrozí nebezpečí požáru.
31. Aby se zabránilo nebezpečí neúmyslného resetování tepelného odpojení, nesmí být tento spotřebič napájen externím spínacím zařízením, jako jsou hodiny, ani nesmí být připojen k obvodu, který je pravidelně zapínán a vypínán ze sítě.
32. Nenechte zařízení navlhčit. Pokud zařízení spadne do vody, okamžitě vytáhněte zástrčku ze zásuvky. Pokud je zařízení připojeno k elektrické síti, nedávejte ruce do

vody. Před opětovným použitím musí být zkontrolováno autorizovaným servisním střediskem.

33. Zařízení by mělo být vypnuto, kdykoli jej odložíte.

34. Nikdy nezapínejte zařízení, pokud nádrž není naplněna vodou.

35. Používejte pouze čistou a studenou vodu.

36. Nalévejte vodu do nádrže nad maximální hladinu.

37. Neponořujte základnu zařízení.

38. Do nádrže, základny nebo výstupu páry nepřidávejte žádné chemikálie. Do vody nepřidávejte aromatické oleje, sůl, odvápnovací tablety, prášky nebo čisticí prostředky.

39. Víčko plnicího otvoru / kryt nádrže na vodu by mělo být vždy našroubováno / zavřeno.

40. Dávejte pozor, aby výstup vodní mlhy zvlhčovače nesměroval přímo na stěny, nábytek, elektrické zásuvky, elektrická a elektronická zařízení a děti. Přílišná vlhkost v místnosti může vést k hromadění vlhkosti, což způsobí růst bakterií a plísní a poškodí stěny, nábytek a tapety.

41. Neblokujte ventilaci zařízení. Udržujte vzdálenost nejméně 100 cm od zařízení.

Neblokujte výstup vodní mlhy pomocí funkce zvlhčovače vzduchu.

42. Nepoužívejte zařízení tam, kde hrozí nebezpečí kondenzace. Na vnitřní a vnější straně přístroje se může tvořit vlhkost, když:

- zařízení bylo přemístěno z chladného na teplé místo,

- topný systém byl právě zapnutý,

- zařízení se používá v místnosti s vysokou vlhkostí,

- zařízení je chlazeno systémem chlazení klimatizace.

Dojde-li ke kondenzaci vlhkosti v zařízení, nemusí fungovat správně nebo v extrémních případech může dojít k poškození. V takovém případě zařízení nepoužívejte a nechejte ho několik hodin schnout.

43. Pokud je zařízení v provozu, nenaklánějte ho, nespadejte na zem ani se jej nepokoušejte znovu nalít nebo nalít vodu.

44. Neodstraňujte zásobník ze základny zařízení, když je funkce zvlhčovače v provozu.

45. Naplněná nádrž na vodu je těžká. Při přenášení jej také udržujte pod ním.

46. Nepoužívejte zařízení, pokud dojde k úniku vody.

47. Nenechávejte vodu v nádrži, když stroj nepoužíváte.

48. Zvlhčovač vyčistěte po každém cyklu používání zařízení. Postupujte podle pokynů k čištění v této příručce.

49. Nikdy nedovolte, aby v nádrži zůstal sediment, vlhkost nebo voda (mohlo by dojít ke kontaminaci nebo dokonce poškození ultrazvukového rozprašovače).

50. Při dlouhodobém provozu zařízení může vodní mlha emitovaná zvlhčovačem spadnout na podlahu a způsobit vlhkost.

**VAROVÁNÍ:** Nepoužívejte tento ohřívač v malých místnostech, kde jsou lidé, kteří je nemohou opustit sami, pokud není zajištěn stálý dohled.

**VAROVÁNÍ:** Aby se snížilo riziko požáru, udržujte textilie, záclony nebo jiné hořlavé materiály alespoň 1 m od výstupu vzduchu z topení.



„Pozor horký povrch“ - Teplota přístupných povrchů může být během provozu vyšší, což znamená, že se prvky krytu během provozu během provozu zahřívají. POZOR !!!



POZNÁMKA: Abyste zabránili přehřátí - nezakrývejte topení. Nezakrývejte zařízení oděvy, příkrývkami nebo jinými textiliemi, které by mohly způsobit vznícení.



Neponoužívejte zařízení v blízkosti vody, např. ve sprše, vaně nebo nad umyvadlem s vodou.

## MONTÁŽ

Montáž základny (10): Zarovnejte čtyři otvory pro upevňovací šrouby základny (10) se sloupky šroubů základny (10) a přišroubujte čtyři samořezné šrouby k uvedení produktu do provozu. Podívejte se na obrázek 2.

## POPIS PRODUKTU (Obrázek 1)

- |                              |                            |
|------------------------------|----------------------------|
| 1. Výstup zvlhčeného vzduchu | 2. Panel předního displeje |
| 3. Výstup vzduchu            | 4. Pouzdro                 |
| 5. Vstup vzduchu             | 6. Zadní kryt              |
| 7. Vypouštěcí kryt           | 8. Horní panely            |
| 9. Vypouštěcí zátka          | 10. Základna               |
| 11. Dálkové ovládání         | 12. Vypínač                |

## OZNAČENÍ HORNÍHO PANELU A PŘEDNÍHO PANELU A DÁLKOVÉHO OVLÁDÁNÍ - Obrázek 3

- A. Tlačítko pohotovostního režimu
- A1. Indikátor funkce ventilátoru
- B. Tlačítko časovače
- B1. Indikátor časovače
- B2. Indikátor odpočítávání časovače / teploty / ochlazení
- C. Tlačítko časovače / zvýšení teploty
- D. Tlačítko časovače / snížení teploty
- E. Tlačítko regulace úrovně ohřevu
- E1. Ukazatel nízké úrovně ohřevu
- E2. Ukazatel vysoké úrovně ohřevu
- F. Tlačítko oscilace
- G. Tlačítko funkce zvlhčovače vzduchu
- G1. Indikátor zvlhčovače
- H. Indikátor jednotky teploty

## POUŽÍVÁNÍ

1. Zapnutí: Umístíte zařízení na stabilní podlahu a zasuňte zástrčku do zásuvky. Zapněte hlavní vypínač (12) na zadní straně výrobku. „I“ znamená zapnuto, „0“ znamená vypnuto. V tomto okamžiku je zařízení v pohotovostním režimu, na displeji se zobrazuje



okolní teplota (B2) a rozsvítí se indikátor jednotky teploty (H).

## 2. Ventilátor

Stiskněte tlačítko (A), rozsvítí se kontrolka (A1) a ventilátor je v provozu (proudí vzduch při pokojové teplotě).

## 3. Topení

Stiskněte jednu tlačítko (E) pro nízkouúrovňový ohřev ~ 1500W, na displeji se rozsvítí indikátor (E1).

Stiskněte dvakrát tlačítko (E) pro vysoký stupeň vytápění 2200W, displej rozsvítí oba indikátory (E1 + E2).

Opětovným stisknutím tlačítka (E) topení zrušíte.

Funkce TIMER: Opakovaným stisknutím tlačítka (B) nastavíte dobu, po které se zařízení samo vypne (mezi 1,0 hodinou a 12,0 hodinami, v krocích po 60 minutách). Současně se rozsvítí indikátor časovače (B1).

Funkce OSCILLATION: Stisknutím tlačítka (F) aktivujete oscilaci, zařízení se bude pohybovat doprava a doleva, aby rovnoměrně rozdělilo odpadní vzduch. Opětovným stisknutím tlačítka (F) zrušíte funkci oscilace.

## ÚPRAVA TEPLoty

Upravte pokojovou teplotu stisknutím tlačítka (D) nebo (C). Výchozí nastavení teploty je 25 ° C. Teplotní rozsah od 10 do 35 ° C.

Stisknutím tlačítka (D) zvýšíte požadovanou teplotu a stisknutím tlačítka (C) snížíte požadovanou teplotu. Zařízení je inteligentně naprogramováno, vybírá pracovní úroveň mezi nízkým nebo vysokým teplem podle požadované teploty a aktuální teploty okolí.

## FUNKCE ZVLHČOVÁNÍ

Nejprve nalijte vodu do nádrže na vodu (13) podle pokynů popsaných níže. Chcete-li nalít vodu do nádrže na vodu (13), nejprve odpojte zařízení ze zásuvky. Poté zatlačte dolů a vytáhněte přes vyčnívající část na zadním krytu (6) - podívejte se na obrázek 4.

Vyjměte nádržku na vodu (13) z krytu, odšroubujte zátku nádrže na vodu (13) proti směru hodinových ručiček, nalijte čistou vodu (ne přidány éterické oleje) a pevně zašroubujte zátku. Vložte nádržku na vodu (13) dovnitř krytu. Kryt řádně nasadte na dvě západky a zatlačením jej zavřete.

Funkci zvlhčování lze použít normálně. Připojte zařízení.

Stiskněte tlačítko (G), produkt zapne funkci zvlhčování, rozsvítí se indikátor zvlhčování (G1). Opětovným stisknutím tlačítka (G) funkci zvlhčování vypnete, současně zhasne indikátor zvlhčování (G1). Funkci zvlhčování lze také použít samostatně, když je funkce ventilátoru / topení vypnutá, ale je zapnuto napájení.

Chcete-li vypustit vodu, otevřete odtokový kryt (7), vytáhněte vypouštěcí zátku (9) a vypusťte připomínající vodu do vhodné nádrže.

Pokud zařízení delší dobu nepoužíváte, měla by být voda v nádrži vypuštěna.

Platné podmínky prostředí pro provoz zařízení:

- funkce ohřevu používá teplotu v rozsahu od -20 ° C do 25 ° C.

- použití funkce zvlhčovače při teplotě v rozmezí od 5 ° C do 40 ° C a relativní vlhkosti nižší než 80%.

Chcete-li zařízení vypnout, stiskněte znovu tlačítko (A). Poté ventilátor během 30 sekund ochladí topný článek uvnitř krytu, poté se automaticky vypne. Pokud zařízení dosud nebylo nastaveno na funkci vytápění, přejde přímo do pohotovostního režimu.

Nesvítil panel předního displeje (2): Poté, co zařízení pracuje 10 minut, automaticky přejde do režimu zhasnutí obrazovky a stisknutím libovolné klávesy rozsvítí obrazovku.

Dálkový ovladač: Před použitím dálkového ovladače (11) odstraňte plastovou fólii na pravé straně dálkového ovladače. Dálkové ovládání je stejné jako ruční ovládání horního panelu (8).

#### JAK ZMĚNIT BATERIE DÁLKOVÉHO OVLÁDÁNÍ:

1. Kryt baterie lze otevřít pomocí mince nebo podobně.
2. Vložte knoflíkovou baterii, dbejte na polaritu baterie („+“ lícem nahoru a „-“ lícem dolů).
3. Zakryjte kryt baterie.

#### ČIŠTĚNÍ A ÚDRŽBA

1. Ujistěte se, že zařízení není horké.
2. Před čištěním zařízení vytáhněte zástrčku ze zásuvky.
3. Udržujte vstupní a výstupní otvory vzduchu čisté. Zabraňte hromadění prachu na otvorech.
4. Pouzdro čistěte pouze suchým nebo vlhkým hadříkem.
5. Neponořujte zařízení do vody!

#### TECHNICKÁ DATA:

Výkon: 2200 W.

Napájení: 220-240 V ~ 50 Hz



Ochrana životního prostředí. Kartón odevzdejte do sběru. Polyetylénové sáčky (PE) vyhazujte do kontejneru na plasty. Vysloužilý přístroj odevzdejte do příslušného sběrného dvoru, protože některé části zařízení mohou představovat pro životní prostředí nebezpečí. Elektrický přístroj odevzdejte tak, aby se omezilo jeho opětovné používání. Pokud jsou v přístroji baterie, vyjměte je a odevzdejte do příslušného sběrného místa zvlášť. Přístroj nevyhazujte do popelnice ani kontejneru na směsný odpad!!

## DANSKI

### ALMINDELIGE SIKKERHEDSBETINGELSER

### VIGTIGE SIKKERHEDSINSTRUKTIONER LÆS OMHYGGENDE, OG BEHOLD FOR FREMTIDIG REFERENCE

1. Før du bruger enheden, skal du læse betjeningsvejledningen og følge instruktionerne deri. Producenten er ikke ansvarlig for skader forårsaget af brug af enheden i strid med dets tilsigtede anvendelse eller ukorrekte betjening.
2. apparatet er kun til hjemmebrug. Brug ikke til andre formål, der ikke er i overensstemmelse med den tilsigtede anvendelse.
3. Enheden skal tilsluttes 220-240V ~ 50 / 60Hz. For at øge sikkerheden ved brug bør mange elektriske apparater ikke forbindes til et elektrisk kredsløb samtidigt.
4. Vær især forsigtig, når du bruger enheden, når børn er i nærheden. Lad ikke børn lege med enheden, og lad ikke børn eller personer, der ikke er bekendt med enheden, bruge det.
5. ADVARSEL: Dette udstyr kan bruges af børn over 8 år og personer med nedsatte fysiske, sensoriske eller mentale evner eller personer uden erfaring eller viden om udstyret, hvis dette gøres under opsyn af en person, der er ansvarlig for deres sikkerhed eller er blevet givet dem instruktioner om sikker brug af enheden og er opmærksomme på de farer, der er forbundet med brugen. Børn bør ikke lege med udstyret. Rengøring og vedligeholdelse af brugere bør ikke udføres af børn, medmindre de er over 8 år, og disse aktiviteter udføres under tilsyn.

6. Tag altid stikket ud af stikkontakten efter brug ved at holde stikkontakten med hånden. Træk IKKE i ledningen.
7. Nedsænk ikke kablet, stikket og hele enheden i vand eller anden væske. Udsæt ikke enheden for vejrforhold (regn, sol osv.) Eller brug den under høje fugtighedsforhold (badeværelser, fugtige mobilhomes).
8. Kontroller jævnligt strømkabelens tilstand. Hvis netledningen er beskadiget, skal den udskiftes af et specialværksted for at undgå fare.
9. Brug ikke apparatet, hvis netledningen er beskadiget, eller hvis den er blevet tabt eller beskadiget på nogen måde, eller hvis den ikke fungerer korrekt. Reparer ikke enheden selv, da det kan forårsage elektrisk stød. Tag den beskadigede enhed til et passende servicecenter for inspektion eller reparation. Reparationer må kun udføres af autoriserede servicepunkter. Forkert udførte reparationer kan udgøre en alvorlig trussel for brugeren.
10. Anbring enheden på en kølig, stabil og jævn overflade væk fra varmeapparater såsom: elektrisk komfur, gasbrænder osv.
11. Brug ikke enheden i nærheden af brændbare materialer.
12. For yderligere beskyttelse anbefales det at installere en jordstrømsenhed (RCD) i det elektriske kredsløb med en nominal reststrøm, der ikke overstiger 30 mA. I denne henseende bedes du kontakte en specialist elektriker.
13. Når enheden bruges i badeværelset, skal du tage stikket ud af stikkontakten efter brug, da nærhed af vand er en fare, selv når enheden er slukket.
14. Sæt ikke fingrene eller genstande eller metalfremmede genstande inde i produktet gennem ventilationsgitteret og andre åbninger, da det ellers kan forårsage elektrisk stød eller funktionsfejl.
15. Læg ikke genstande oven på enheden. Ventilationsåbninger må ikke være dækket af et håndklæde, gardin osv. Det kan beskadige enheden eller forårsage brand.
16. Enheden varmes op under drift, rør ikke ved varme dele på enheden. Rør ikke ved enheden med våde hænder.
17. Hvis konvektoren bliver våd, eller en genstand falder igennem konvektorventilationsgitteret, sluk det straks og afbryd det fra lysnettet. Før genstart ved hjælp af konvektoren skal du kontakte tjenesten.
18. Anbring ikke maskinen direkte under en stikkontakt.
19. Sluk altid enheden ved hjælp af knapperne, inden du afbryder den fra lysnettet.
20. Brug ikke denne enhed, hvis den er tabt.
21. Brug ikke, hvis der er synlige tegn på beskadigelse af enheden.
22. Brug varmelegemet på en jævn og stabil overflade, eller fastgør den til væggen, hvis det er foreskrevet af producenten.
23. Alle genstande skal være mindst 1 meter fra forsiden og siderne af enheden.
24. Indsæt eller lad ikke fremmede genstande trænge ind i ventilations- eller udsugningsventilerne, da dette kan resultere i elektrisk stød, brand eller skade på produktet.

25. En almindelig årsag til overophedning er støv eller frug inde i enheden. Sørg for, at disse aflejringer fjernes regelmæssigt ved at tage stikket ud af enheden og støvsuge ventilationsåbningerne og gitrene, filtre, hvis de findes.
  26. Brug ikke denne enhed i et vindue, da regn kan forårsage elektrisk stød.
  27. Tilslut ikke apparatet til en strømkilde, før det er installeret i dets endelige position og placeret i den position, der skal bruges.
  28. Det anbefales ikke at bruge en forlængerledning med denne enhed.
  29. Placer ikke ledningen under tæpper, tæpper, tæpper osv. Hold ledningen væk fra steder, hvor den kan falde over den.
  30. Brug ikke denne enhed med en programmerer, timer eller anden enhed, der automatisk tænder for varmeren, da der er risiko for brand, hvis enheden er tildækket eller placeret forkert.
  31. For at undgå faren ved utilsigtet nulstilling af den termiske frakobling, må dette apparat ikke få strøm fra en ekstern koblingsenhed, f.eks. Et ur, eller tilsluttet et kredsløb, der regelmæssigt tændes og slukkes af lysnettet.
  32. Får ikke enheden våd. Hvis enheden falder i vand, skal du straks tage stikket ud af stikkontakten. Stik ikke hænderne i vandet, når enheden er tilsluttet. Inden genbrug skal den kontrolleres af et autoriseret servicecenter.
  33. Enheden skal være slukket, når du lægger den ned.
  34. Tænd aldrig enheden, når tanken ikke er fyldt med vand.
  35. Brug kun rent, køligt vand.
  36. Hæld ikke vand i tanken over det maksimale niveau.
  37. Nedsænk ikke enhedens bund.
  38. Tilsæt ikke kemikalier til tanken, basen eller dampudløbet. Tilsæt ikke aromatiske olier, salt, afkalkningstabletter, pulvere eller rengøringsmidler til vandet.
  39. Påfyldningshætten / dækslet til vandtanken skal altid skrues på / lukkes til enhver tid.
  40. Sørg for, at luftfugterens vandtågsudgang ikke peger direkte mod vægge, møbler, stikkontakter, elektriske og elektroniske enheder og børn. For meget luftfugtighed i rummet kan føre til ophobning af fugt, forårsage vækst af bakterier og svampe og beskadige vægge, møbler og tapet.
  41. Bloker ikke ventilationen af enheden. Hold en afstand på mindst 100 cm fra enheden. Bloker ikke vandtågens udløb med befugterfunktionen.
  42. Brug ikke enheden, hvor der er risiko for kondens. Der kan dannes fugt på indersiden og ydersiden af apparatet, når:
    - enheden flyttes fra et koldt til et varmt sted
    - varmesystemet er netop blevet tændt
    - enheden bruges i et rum med høj luftfugtighed
    - enheden afkøles af klimaanlægget.
- Når der opstår fugtkondensation i enheden, fungerer den muligvis ikke korrekt eller kan i ekstreme tilfælde blive beskadiget. I dette tilfælde må du ikke bruge enheden og lade den tørre i flere timer.

43. Vip ikke, vælt ned eller prøv at genopfylde eller hæld vand fra enheden, mens den fungerer.
44. Fjern ikke beholderen fra bunden af enheden, mens befugterfunktionen fungerer.
45. En fyldt vandtank er tung. Når du bærer den, skal du også holde den nedenunder.
46. Brug ikke enheden, hvis der er vandlækage.
47. Efterlad ikke vand i tanken, når maskinen ikke er i brug.
48. Rengør luftfugteren efter hver enhedscyklus. Følg rengøringsinstruktionerne i denne vejledning.
49. Lad aldrig sediment, fugt eller vand forblive i tanken (dette kan forårsage forurening eller endda skade ultralydsforstøveren).
50. Under apparatets langvarige drift kan vandtåge, der udsendes af luftfugteren, falde ned på gulvet og forårsage fugt.

**ADVARSEL:** Brug ikke denne varmelegeme i små rum, hvor der er mennesker, der ikke er i stand til at forlade dem alene, medmindre konstant overvågning er sikret.

**ADVARSEL:** For at mindske risikoen for brand skal du holde tekstiler, gardiner eller andre brændbare materialer mindst 1 m væk fra varmeapparatets luftudtag.



"Forsigtig varm overflade" - Temperaturen på de tilgængelige overflader kan være højere end drift, hvilket betyder, at huselementerne bliver varme under drift under drift. **ADVARSEL !!!**



**BEMÆRK:** For at undgå overophedning - tildæk ikke varmeren. Dæk ikke enheden med tøj, tæpper eller andre tekstiler, der kan forårsage antændelse.



Brug ikke enheden i nærheden af vand, f.eks. i et brusebad, badekar eller over en håndvask med vand.

## MONTAGE

Bund (10) montage: Ret de fire monteringskruehuller på bunden (10) ind efter skruestolperne på bunden (10), og skru med fire selvsikrørende skruer for at tage produktet i brug. Se på figur 2.

## PRODUKTBEKRIVELSE (figur 1)

- |                      |                       |
|----------------------|-----------------------|
| 1. Fugtig luftudgang | 2. Front displaypanel |
| 3. Luftudtag         | 4. Hus                |
| 5. luftindtag        | 6. bagdæksel          |
| 7. Afløbsdæksel      | 8. Toppaneler         |
| 9. Afløbspropp       | 10. Foden             |
| 11. Fjernbetjening   | 12. Afbryder          |

## MÆRKNING AF TOPPANEL & FRONTPANEL & FJERNBETJENING - Figur 3

A. Standby-knap

A1. Indikator for blæserfunktion

B. Timer-knap

B1. Timer-indikator

B2. Timer / temperatur / nedtællingsindikator for nedkøling

C. Knap til timer / temperaturforøgelse

D. Timer / temperaturreduktionsknap

E. Knappen til regulering af varmeniveau

E1. Indikator for lavt varmeniveau

E2. Indikator for højt opvarmningsniveau

F. Oscillationsknap

G. Funktionsknap til luftfugter

G1. Luftfugter indikator

H. Temperaturenhedsindikator

## BRUG

1. Tænd: Bring enheden på et stabilt gulv, og sæt stikket i stikkontakten. Tænd afbryderen (12) på produktets bagside. "I" betyder tændt, "0" betyder slukket. På dette tidspunkt er enheden i standbytilstand, displayet viser omgivelsestemperatur (B2), og temperaturenhedsindikatoren (H) lyser.

### 2. Ventilator

Tryk på knappen (A), indikatoren (A1) lyser, og blæseren kører (strøm luften i stuetemperatur).

### 3. Opvarmning

Tryk en gang på knappen (E) for opvarmning ved lavt niveau ~ 1500W, displayet lyser indikatoren (E1).

Tryk to gange på knappen (E) for opvarmning på højt niveau 2200W, displayet lyser begge indikatorer (E1 + E2).

Tryk på knappen (E) igen for at annullere opvarmningen.

TIMER-funktion: Tryk gentagne gange på knappen (B) for at indstille en periode, hvorefter enheden slukker (mellem 1,0 time - 12,0 timer, i trin på 60 minutter). Samtidig lyser timerindikatoren (B1).

OSCILLATION-funktion: Tryk på knap (F) for at aktivere svingning, enheden svinger til højre og venstre for at fordele udsugningsluften jævnt. Tryk på knappen igen (F) for at annullere svingningsfunktionen.

## TEMPERATURJUSTERING

Juster stuetemperatur ved at trykke på knappen (D) eller (C). Standardindstillingstemperaturen er 25 ° C. Temperaturområde fra 10-35 ° C.

Tryk på knappen (D) for at øge den ønskede temperatur, og tryk på knappen (C) for at sænke den ønskede temperatur. Enheden er intelligent programmeret, den vælger arbejdsniveauet mellem lav eller høj varme i henhold til den ønskede temperatur og den nuværende omgivelsestemperatur.

## FUGTNINGSFUNKTION

Hæld først vandet i vandtanken (13) ifølge nedenstående instruktion. For at hælde vandet i vandtanken (13) skal du først tage enheden ud af stikkontakten. Tryk derefter nedad og træk uden for den fremspringende del på bagdækslet (6) - se figur 4. Tag vandtanken (13) ud af huset, løsn stikket på vandtanken (13) mod uret, hæld rent vand (ingen æteriske olier tilsat) og skru proppen godt fast. Sæt vandtanken (13) inde i huset. Sæt dækslet ordentligt på to låse steder, og skub det for at lukke.

Befugtningsfunktionen kan bruges normalt. Tilslut enheden.

Tryk på knappen (G), produktet tænder befugtningsfunktionen, befugtningsindikatoren (G1) lyser. Tryk på knappen (G) igen for at slukke for befugtningsfunktionen, samtidig med at befugtningsindikatoren (G1) er slukket. Befugtningsfunktionen kan også bruges separat, når

blæseren / opvarmningsfunktionen er slukket, men strømmen er tændt.

For at dræne vandet ud skal du åbne afløbsdækslet (7) ved at trække i afløbsproppen (9) og drømme påmindende vand til en passende tank.

Når enheden ikke har været i brug i lang tid, skal vandet i tanken drænes.

Gældende miljøforhold for enhedens drift:

- opvarmningsfunktion brugstemperatur i området fra -20 ° C til 25 ° C.
- luftfugterfunktion i temperatur i området fra 5 ° C til 40 ° C og den relative fugtighed mindre end 80%.

For at slukke for enheden skal du trykke på knappen (A) igen. Derefter køler ventilatoren varmeelementet inde i huset ned i 30 sekunder, hvorefter ventilatoren automatisk slukker. Hvis enheden ikke er indstillet til opvarmningsfunktion før, går den direkte i standby.

Belysning fra frontdisplaypanelet (2): Når enheden har arbejdet i 10 minutter, skifter den automatisk til lys-fra-skærmtilstand, tryk på en vilkårlig tast for at tænde skærmen.

Fjernbetjening: Inden du bruger fjernbetjeningen (11), skal du fjerne plastfoliestykket på højre side af fjernbetjeningen. Fjernbetjening er den samme som håndbetjening af toppanelet (8).

**SÅDAN SKIFTES FJERNBETJENINGSBATTERIET:**

1. Batteridækslet kan åbnes med en mønt eller lignende.
2. Installer knapbatteriet, vær opmærksom på batteriets polaritet ("+" med forsiden opad og "-" med forsiden nedad).
3. Dæk batteridækslet.

**RENGØRING OG VEDLIGEHOLDELSE**

1. Sørg for, at enheden ikke er varm.
2. Fjern stikket fra stikkontakten inden rengøring af enheden.
3. Hold luftindgangs- og udgangsåbningerne rene. Lad ikke støv samle sig på åbningerne.
4. Rengør huset med kun en tør eller fugtig klud.
5. Nedsænk ikke enheden i vand!

**TEKNISK DATA:**

Effekt: 2200W

Strømforsyning: 220-240V ~ 50Hz



Af hensyn til miljøet. Venligst overfør papemballage til affaldspapir. Hæld polyethylenposer (PE) i plastbeholderen Slidt enhed skal returneres til det relevante punkt opbevaring, fordi det er farligt i enheden ingredienser kan udgøre en trussel for miljøet. Den elektriske enhed skal overleveres for at begrænse dets genanvendelse og brug. Hvis i enheden der er batterier, fjern dem og vende tilbage til punktet opbevares separat.

ΕΛΛΑΔΑ

**ΓΕΝΙΚΟΙ ΟΡΟΙ ΑΣΦΑΛΕΙΑΣ**

**ΣΗΜΑΝΤΙΚΕΣ ΟΔΗΓΙΕΣ ΑΣΦΑΛΕΙΑΣ ΔΙΑΒΑΣΤΕ ΠΡΟΣΕΚΤΙΚΑ ΚΑΙ ΚΡΑΤΗΣΤΕ ΓΙΑ ΜΕΛΛΟΝ ΑΝΑΦΟΡΑ**

**1. Πριν χρησιμοποιήσετε τη συσκευή, διαβάστε τις οδηγίες λειτουργίας και ακολουθήστε**

- τις οδηγίες που περιέχονται σε αυτήν. Ο κατασκευαστής δεν φέρει καμία ευθύνη για οποιαδήποτε ζημιά προκληθεί από τη χρήση της συσκευής σε αντίθεση με την προβλεπόμενη χρήση ή την ακατάλληλη λειτουργία.
2. Η συσκευή προορίζεται μόνο για οικιακή χρήση. Μην το χρησιμοποιείτε για άλλους σκοπούς που δεν είναι σύμφωνα με την προβλεπόμενη χρήση του.
3. Η συσκευή πρέπει να συνδεθεί στα 220-240V ~ 50 / 60Hz. Προκειμένου να αυξηθεί η ασφάλεια χρήσης, πολλές ηλεκτρικές συσκευές δεν πρέπει να συνδέονται ταυτόχρονα σε ένα ηλεκτρικό κύκλωμα.
4. Να είστε ιδιαίτερα προσεκτικοί όταν χρησιμοποιείτε τη συσκευή όταν τα παιδιά βρίσκονται κοντά. Μην επιτρέπετε στα παιδιά να παίζουν με τη συσκευή και μην αφήνετε παιδιά ή άτομα που δεν είναι εξοικειωμένα με τη συσκευή να τη χρησιμοποιούν.
5. ΠΡΟΕΙΔΟΠΟΙΗΣΗ: Αυτός ο εξοπλισμός μπορεί να χρησιμοποιηθεί από παιδιά άνω των 8 ετών και άτομα με μειωμένη σωματική, αισθητηριακή ή διανοητική ικανότητα, ή άτομα χωρίς εμπειρία ή γνώση του εξοπλισμού, εάν αυτό γίνεται υπό την επίβλεψη υπευθύνου για την ασφάλειά τους ή τους έχει δοθεί οδηγίες σχετικά με την ασφαλή χρήση της συσκευής και γνωρίζουν τους κινδύνους που συνδέονται με τη χρήση της. Τα παιδιά δεν πρέπει να παίζουν με τον εξοπλισμό. Ο καθαρισμός και η συντήρηση του χρήστη δεν πρέπει να εκτελούνται από παιδιά, εκτός εάν είναι άνω των 8 ετών και αυτές οι δραστηριότητες εκτελούνται υπό την επίβλεψη.
6. Πάντα μετά τη χρήση, αφαιρέστε το φις από την πρίζα κρατώντας την πρίζα με το χέρι σας. ΜΗΝ τραβάτε το καλώδιο.
7. Μην βυθίζετε το καλώδιο, το βύσμα και ολόκληρη τη συσκευή σε νερό ή οποιοδήποτε άλλο υγρό. Μην εκθέτετε τη συσκευή σε καιρικές συνθήκες (βροχή, ήλιος κ.λπ.) και μην τη χρησιμοποιείτε σε συνθήκες υψηλής υγρασίας (μπάνια, υγρές τροχοβίλες).
8. Ελέγχετε περιοδικά την κατάσταση του καλωδίου τροφοδοσίας. Εάν το καλώδιο ρεύματος είναι κατεστραμμένο, θα πρέπει να αντικατασταθεί από εξειδικευμένο συνεργείο επισκευής για να αποφευχθεί ο κίνδυνος.
9. Μην χρησιμοποιείτε τη συσκευή εάν το καλώδιο τροφοδοσίας έχει υποστεί ζημιά ή εάν έχει πέσει ή έχει υποστεί ζημιά με οποιονδήποτε τρόπο ή εάν δεν λειτουργεί σωστά. Μην επισκευάζετε τη συσκευή μόνοι σας, καθώς μπορεί να προκαλέσει ηλεκτροπληξία. Μεταφέρετε τη χαλασμένη συσκευή σε κατάλληλο κέντρο σέρβις για επιθεώρηση ή επισκευή. Τυχόν επισκευές μπορούν να πραγματοποιηθούν μόνο από εξουσιοδοτημένα σημεία σέρβις. Οι επισκευές που δεν έχουν γίνει σωστά μπορούν να αποτελέσουν σοβαρή απειλή για τον χρήστη.
10. Τοποθετήστε τη συσκευή σε δροσερή, σταθερή, ομοιόμορφη επιφάνεια, μακριά από συσκευές θέρμανσης όπως: ηλεκτρική κουζίνα, καυστήρας αερίου κ.λπ.
11. Μη χρησιμοποιείτε τη συσκευή κοντά σε εύφλεκτα υλικά.
12. Για πρόσθετη προστασία, συνιστάται η εγκατάσταση συσκευής υπολειπόμενου ρεύματος (RCD) στο ηλεκτρικό κύκλωμα με ονομαστικό ρεύμα υπολειπόμενου ρεύματος που δεν υπερβαίνει τα 30 mA. Σε αυτό το πλαίσιο, συμβουλευτείτε έναν ειδικό



ηλεκτρολόγο.

13. Όταν η συσκευή χρησιμοποιείται στο μπάνιο, αφαιρέστε το βύσμα από την πρίζα μετά τη χρήση, καθώς η εγγύτητα του νερού είναι επικίνδυνη ακόμη και όταν η συσκευή είναι απενεργοποιημένη.

14. Μην βάζετε τα δάχτυλά σας ή αντικείμενα ή μεταλλικά ξένα αντικείμενα μέσα στο προϊόν, μέσα από τη γρίλια εξαερισμού και άλλες υποδοχές, διαφορετικά μπορεί να προκαλέσει ηλεκτροπληξία ή δυσλειτουργία.

15. Μην τοποθετείτε αντικείμενα πάνω από τη συσκευή. Οι αεραγωγοί δεν πρέπει να είναι καλύπτεται από πετσέτα, κουρτίνα κ.λπ. Μπορεί να προκαλέσει ζημιά στη συσκευή ή να προκαλέσει πυρκαγιά.

16. Η συσκευή θερμαίνεται κατά τη λειτουργία, μην αγγίζετε ζεστά μέρη της συσκευής. Μην αγγίζετε τη συσκευή με βρεγμένα χέρια.

17. Εάν ο μεταφορέας βραχεί ή οποιοδήποτε αντικείμενο πέσει τη μάσκα εξαερισμού του θερμαντήρα, απενεργοποιήστε την αμέσως και αποσυνδέστε την από το δίκτυο. Πριν την επανεκκίνηση

χρησιμοποιώντας το connecto, επικοινωνήστε με την υπηρεσία.

18. Μην τοποθετείτε το μηχάνημα ακριβώς κάτω από μια ηλεκτρική πρίζα.

19. Απενεργοποιείτε πάντα τη συσκευή χρησιμοποιώντας τα κουμπιά πριν την αποσυνδέσετε από το δίκτυο.

20. Μην χρησιμοποιείτε αυτήν τη συσκευή εάν έχει πέσει.

21. Μην το χρησιμοποιείτε εάν υπάρχουν ορατά σημάδια βλάβης στη συσκευή.

22. Χρησιμοποιήστε τη θερμάστρα σε επίπεδη και σταθερή επιφάνεια ή συνδέστε την στον τοίχο, εάν προβλέπεται από τον κατασκευαστή.

23. Όλα τα αντικείμενα πρέπει να απέχουν τουλάχιστον 1 μέτρο από το μπροστινό μέρος και τις πλευρές της συσκευής.

24. Μην εισάγετε και μην αφήνετε ξένα αντικείμενα να εισέλθουν στον εξαερισμό ή τους εξαεριστήρες, καθώς αυτό μπορεί να προκαλέσει ηλεκτροπληξία, πυρκαγιά ή ζημιά στο προϊόν.

25. Μια κοινή αιτία υπερθέρμανσης είναι η σκόνη ή το χνούδι μέσα στη συσκευή. Βεβαιωθείτε ότι αυτές οι εναποθέσεις αφαιρούνται τακτικά αποσυνδέοντας τη μονάδα και αδειάζοντας τους αεραγωγούς και τις γρίλιες, τα φίλτρα, εάν υπάρχουν.

26. Μην χρησιμοποιείτε αυτήν τη συσκευή σε παράθυρο, καθώς η βροχή μπορεί να προκαλέσει ηλεκτροπληξία.

27. Μην συνδέετε τη συσκευή σε πηγή τροφοδοσίας έως ότου εγκατασταθεί στην τελική της θέση και τοποθετηθεί στη θέση για χρήση.

28. Δεν συνιστάται η χρήση καλωδίου επέκτασης με αυτήν τη συσκευή.

29. Μην τοποθετείτε το καλώδιο κάτω από χαλιά, χαλιά, χαλιά κ.λπ. Κρατήστε το καλώδιο μακριά από μέρη όπου μπορεί να σκοντάψει πάνω του.

30. Μην χρησιμοποιείτε αυτήν τη συσκευή με προγραμματιστή, χρονοδιακόπτη ή οποιαδήποτε άλλη συσκευή που ενεργοποιεί αυτόματα τη θερμάστρα καθώς υπάρχει κίνδυνος πυρκαγιάς εάν η συσκευή καλύπτεται ή τοποθετείται λανθασμένα.

31. Για να αποφύγετε τον κίνδυνο ακούσιας επαναφοράς της θερμικής διακοπής, αυτή η συσκευή δεν πρέπει να τροφοδοτείται από εξωτερική συσκευή μεταγωγής, όπως ρολόι, ή να συνδέεται σε κύκλωμα που ενεργοποιείται και απενεργοποιείται τακτικά από το δίκτυο.
32. Μην βρέχετε τη συσκευή. Εάν η συσκευή πέσει στο νερό, αποσυνδέστε αμέσως το βύσμα από την πρίζα. Μην βάζετε τα χέρια σας στο νερό όταν η συσκευή είναι συνδεδεμένη. Πριν από την επαναχρησιμοποίηση, πρέπει να ελεγχθεί από εξουσιοδοτημένο κέντρο σέρβις.
33. Η συσκευή πρέπει να απενεργοποιείται κάθε φορά που τη βάζετε.
34. Ποτέ μην ενεργοποιείτε τη συσκευή όταν το δοχείο δεν είναι γεμάτο με νερό.
35. Χρησιμοποιήστε μόνο καθαρό, δροσερό νερό.
36. Μην ρίχνετε νερό στη δεξαμενή πάνω από το μέγιστο επίπεδο.
37. Μην βυθίζετε τη βάση της συσκευής.
38. Μην προσθέτετε χημικά στη δεξαμενή, τη βάση ή την έξοδο ατμού. Μην προσθέτετε αρωματικά έλαια, αλάτι, δισκία αφαλάτωσης, σκόνες ή καθαριστικά στο νερό.
39. Το κάλυμμα πλήρωσης / δεξαμενής νερού πρέπει πάντα να βιδώνεται / κλείνει πάντα.
40. Προσέξτε ότι η έξοδος υγρασίας του υγρανήρα δεν κατευθύνεται κατευθείαν προς τοίχους, έπιπλα, ηλεκτρικές πρίζες, ηλεκτρικές και ηλεκτρονικές συσκευές και παιδιά. Η υπερβολική υγρασία στο δωμάτιο μπορεί να οδηγήσει σε συσσώρευση υγρασίας, προκαλώντας την ανάπτυξη βακτηρίων και μυκήτων και καταστροφικούς τοίχους, έπιπλα και ταπετσαρία.
41. Μην εμποδίζετε τον εξαερισμό της συσκευής. Διατηρήστε απόσταση τουλάχιστον 100 cm από τη συσκευή. Μην φράζετε την έξοδο υδρονέφωσης με τη λειτουργία υγρανήρα.
42. Μην χρησιμοποιείτε τη συσκευή όταν υπάρχει κίνδυνος συμπύκνωσης. Η υγρασία μπορεί να σχηματιστεί στο εσωτερικό και το εξωτερικό της συσκευής όταν:
  - η συσκευή μετακινείται από κρύο σε ζεστό μέρος,
  - το σύστημα θέρμανσης μόλις ενεργοποιήθηκε,
  - η συσκευή χρησιμοποιείται σε δωμάτιο με υψηλή υγρασία,
  - η συσκευή ψύχεται από το σύστημα ψύξης κλιματισμού.Όταν συμβαίνει συμπύκνωση υγρασίας στη συσκευή, ενδέχεται να μην λειτουργεί σωστά ή, σε ακραίες περιπτώσεις, να υποστεί βλάβη. Σε αυτήν την περίπτωση, μην χρησιμοποιείτε τη συσκευή και αφήστε την να στεγνώσει για αρκετές ώρες.
43. Μην γέρνετε, μην πέφτετε και μην προσπαθείτε να ξαναγεμίσετε ή να ρίξετε νερό από τη συσκευή ενώ λειτουργεί.
44. Μην αφαιρείτε τη δεξαμενή από τη βάση της συσκευής ενώ λειτουργεί η λειτουργία υγρανήρα.
45. Ένα γεμάτο δοχείο νερού είναι βαρύ. Όταν το μεταφέρετε, κρατήστε το και κάτω.
46. Μην χρησιμοποιείτε τη συσκευή εάν υπάρχει διαρροή νερού.
47. Μην αφήνετε νερό στη δεξαμενή όταν το μηχάνημα δεν χρησιμοποιείται.
48. Καθαρίστε τον υγρανήρα μετά από κάθε κύκλο χρήσης της συσκευής. Ακολουθήστε τις οδηγίες καθαρισμού σε αυτό το εγχειρίδιο.
49. Ποτέ μην αφήνετε ιζήματα, υγρασία ή νερό να παραμένουν στη δεξαμενή (αυτό μπορεί

να προκαλέσει μόλυνση ή ακόμη και ζημιά στον υπερρηχτικό ψεκαστήρα).  
50. Κατά τη μακροχρόνια λειτουργία της συσκευής, η υδρονέφωση που εκπέμπεται από τον υγραντήρα μπορεί να πέσει στο πάτωμα και να προκαλέσει υγρασία.

**ΠΡΟΕΙΔΟΠΟΙΗΣΗ:** Μην χρησιμοποιείτε αυτήν τη θερμάστρα σε μικρά δωμάτια όπου υπάρχουν άτομα που δεν μπορούν να τα αφήσουν μόνα τους, εκτός εάν εξασφαλίζεται συνεχής επίβλεψη.

**ΠΡΟΕΙΔΟΠΟΙΗΣΗ:** Για να μειώσετε τον κίνδυνο πυρκαγιάς, φυλάξτε τα υφάσματα, τις κουρτίνες ή άλλα εύφλεκτα υλικά σε απόσταση τουλάχιστον 1 m από την έξοδο του θερμαντήρα.



"Προσοχή σε ζεστή επιφάνεια" - Η θερμοκρασία των προσβάσιμων επιφανειών μπορεί να είναι υψηλότερη κατά τη λειτουργία, πράγμα που σημαίνει ότι τα στοιχεία του περιβλήματος ζεσταίνονται κατά τη διάρκεια της λειτουργίας κατά τη διάρκεια της λειτουργίας. ΠΡΟΣΟΧΗ !!!



**ΣΗΜΕΙΩΣΗ:** Για να αποφύγετε την υπερθέρμανση - μην καλύπτετε τη θερμάστρα. Μην καλύπτετε τη συσκευή με ρούχα, κουβέρτες ή άλλα υφάσματα που μπορεί να προκαλέσουν ανάφλεξη.



Μην χρησιμοποιείτε τη συσκευή κοντά σε νερό, π.χ. σε ντους, μπανιέρα ή πάνω σε νιπτήρα με νερό.

## ΜΟΝΤΑΖ

Μοντάζ βάσης (10): Ευθυγραμμίστε τις τέσσερις οπές στερέωσης της βάσης (10) με τους κοχλίες της βάσης (10) και βιδώστε με τέσσερις βίδες αυτόματης τοποθέτησης για να θέσετε το προϊόν σε χρήση. Κοιτάξτε το σχήμα 2.

## ΠΕΡΙΓΡΑΦΗ ΠΡΟΪΟΝΤΟΣ (Εικόνα 1)

- |                            |                              |
|----------------------------|------------------------------|
| 1. Έξοδος υγρανόμενου αέρα | 2. Πίνακας μπροστινής οθόνης |
| 3. Πρίζα αέρα              | 4. Στέγαση                   |
| 5. Εισαγωγή αέρα           | 6. Πίσω κάλυμμα              |
| 7. Κάλυμμα αποστράγγισης   | 8. Κορυφαία πάνελ            |
| 9. Αποστραγγίστε το βύσμα  | 10. Η βάση                   |
| 11. Τηλεχειρισμός          | 12. Διακόπτης ισχύος         |

## ΣΗΜΑΝΣΗ ΕΛΕΓΧΟΥ ΚΟΡΥΦΟΥ & ΠΡΟΣΘΕΤΟΥΜΕΝΟΥ ΠΛΑΝΟΥ & ΡΑΜΠΟΤ - Εικόνα 3

- |  |  |
|--|--|
| A. Κουμπί αναμονής   | A1. Ένδειξη λειτουργίας ανεμιστήρα           |
| B. Κουμπί χρονοδιακόπτη  | B1. Ένδειξη χρονομέτρου                      |
| B2. Ένδειξη αντίστροφης μέτρησης θερμοκρασίας / θερμοκρασίας / ψύξης |  |
| C. Κουμπί αύξησης χρονοδιακόπτη / θερμοκρασίας                       | D. Κουμπί χρονομέτρου / μείωσης θερμοκρασίας |
| E. Κουμπί ρύθμισης επιπέδου θέρμανσης                                | E1. Ένδειξη χαμηλού επιπέδου θέρμανσης       |
| E2. Ένδειξη υψηλού επιπέδου θέρμανσης                                | F. Κουμπί ταλάντωσης                         |
| G. Κουμπί λειτουργίας υγραντήρα                                      | G1. Ένδειξη υγραντήρα                        |
| H. Ένδειξη μονάδας θερμοκρασίας                                      |  |

## ΧΡΗΣΗ

1. Ενεργοποίηση: Τοποθετήστε τη συσκευή σε σταθερό δάπεδο και τοποθετήστε το φως στην πρίζα. Ενεργοποιήστε το διακόπτη λειτουργίας (12) στο πίσω μέρος του προϊόντος. «I» σημαίνει ενεργοποιημένο, «0» σημαίνει απενεργοποιημένο. Προς το παρόν, η συσκευή βρίσκεται σε κατάσταση αναμονής, η οθόνη δείχνει τη θερμοκρασία περιβάλλοντος (B2) και η ένδειξη της μονάδας θερμοκρασίας (H) θα ανάψει.

### 2. Ανεμιστήρας

Πατήστε το κουμπί (A), η ένδειξη (A1) θα ανάψει και ο ανεμιστήρας λειτουργεί (ροή του αέρα σε θερμοκρασία δωματίου).

### 3. Θέρμανση

Πατήστε το κουμπί (E) μία φορά για θέρμανση χαμηλού επιπέδου ~ 1500W, η ένδειξη ανάβει την οθόνη (E1).

Πατήστε το κουμπί (E) δύο φορές για θέρμανση υψηλού επιπέδου 2200W, η οθόνη θα ανάψει και τις δύο ενδείξεις (E1 + E2).

Πατήστε ξανά το κουμπί (E) για να ακυρώσετε τη θέρμανση.

Λειτουργία TIMER: Πατήστε επανειλημμένα το κουμπί (B) για να ορίσετε μια περίοδο μετά την οποία η συσκευή θα απενεργοποιηθεί (μεταξύ 1,0 ώρας - 12,0 ωρών, σε βήματα των 60 λεπτών). Ταυτόχρονα, η φωτεινή ένδειξη χρονοδιακόπτη (B1).

Λειτουργία ΛΕΙΤΟΥΡΓΙΑΣ: Πιέστε το κουμπί (F) για να ενεργοποιήσετε την ταλάντωση, η συσκευή θα αιωρείται προς τα δεξιά και αριστερά για να καταναίμει ομοιόμορφα τον αέρα εξάτμισης. Πατήστε ξανά το κουμπί (F) για να ακυρώσετε τη λειτουργία ταλάντωσης.

## ΡΥΘΜΙΣΗ ΘΕΡΜΟΚΡΑΣΙΑΣ

Ρυθμίστε τη θερμοκρασία δωματίου πατώντας το κουμπί (D) ή (C). Η προεπιλεγμένη θερμοκρασία ρύθμισης είναι 25 range. Εύρος θερμοκρασίας από 10-35 °C. Πατήστε το κουμπί (D) για να αυξήσετε την επιθυμητή θερμοκρασία και πατήστε το κουμπί (C) για να μειώσετε την επιθυμητή θερμοκρασία. Η συσκευή έχει προγραμματιστεί έξυπνα, επιλέγει το επίπεδο εργασίας μεταξύ χαμηλής ή υψηλής θερμότητας ανάλογα με την επιθυμητή θερμοκρασία και την παρούσα θερμοκρασία περιβάλλοντος.

## ΛΕΙΤΟΥΡΓΙΑ ΥΠΟΠΟΙΗΣΗΣ

Αρχικά ρίξτε το νερό σε δεξαμενή νερού (13) σύμφωνα με τις οδηγίες που περιγράφονται παρακάτω. Για να ρίξετε το νερό στο δοχείο νερού (13), αποσυνδέστε πρώτα τη συσκευή. Στη συνέχεια πιέστε προς τα κάτω και τραβήξτε έξω από το προεξέχον τμήμα στο πίσω κάλυμμα (6) - δείτε το σχήμα 4. Βγάλτε τη δεξαμενή νερού (13) από το περιβλημά, ξεβιδώστε το βύσμα του δοχείου νερού (13) αριστερόστροφα, ρίξτε καθαρό νερό (όχι προστίθενται αιθέρια έλαια) και βιδώστε καλά το βύσμα. Τοποθετήστε τη δεξαμενή νερού (13) μέσα στο περιβλήμα. Τοποθετήστε το κάλυμμα σωστά σε δύο σημεία μανδάλωσης καλά και πιέστε το για να κλείσει.

Η λειτουργία ύγρανσης μπορεί να χρησιμοποιηθεί κανονικά. Συνδέστε τη συσκευή.

Πατήστε το κουμπί (G), το προϊόν ενεργοποιεί τη λειτουργία υγρασίας, ανάβει η ένδειξη υγρασίας (G1). Πατήστε ξανά το κουμπί (G) για να απενεργοποιήσετε τη λειτουργία υγρασίας, ενώ ταυτόχρονα η ένδειξη υγρασίας (G1) θα σβήσει. Η λειτουργία υγρασίας μπορεί επίσης να χρησιμοποιηθεί ξεχωριστά όταν η λειτουργία ανεμιστήρα / θέρμανσης είναι απενεργοποιημένη αλλά η τροφοδοσία είναι ενεργοποιημένη.

Για να αποστραγγίσετε το νερό, ανοίξτε το κάλυμμα αποστράγγισης (7) τραβήξτε το πώμα αποστράγγισης (9) και αποστραγγίστε το νερό που θυμίζει στο κατάλληλο δοχείο.

Όταν η συσκευή δεν χρησιμοποιείται για μεγάλο χρονικό διάστημα, το νερό στη δεξαμενή πρέπει να αποστραγγιστεί.

Ισχύουσες συνθήκες περιβάλλοντος για τη λειτουργία της συσκευής:

- η θερμοκρασία λειτουργίας θέρμανσης χρησιμοποιεί θερμοκρασία από -20 ° C έως 25 ° C.

- χρήση της λειτουργίας υγραντήρα σε θερμοκρασία που κυμαίνεται από 5 ° C έως 40 ° C και η σχετική υγρασία μικρότερη από 80%.

Για να απενεργοποιήσετε τη συσκευή, πατήστε ξανά το κουμπί (A). Στη συνέχεια, ο ανεμιστήρας θα κρυώσει το θερμομαντικό στοιχείο μέσα στο περίβλημα για 30 δευτερόλεπτα, στη συνέχεια ο ανεμιστήρας θα απενεργοποιηθεί αυτόματα. Εάν η συσκευή δεν έχει ρυθμιστεί προηγουμένως σε λειτουργία θέρμανσης, θα μεταβεί απευθείας σε κατάσταση αναμονής.

Απενεργοποίηση του μπροστινού πλαισίου οθόνης (2): Αφού η συσκευή λειτουργεί για 10 λεπτά, θα εισέλθει αυτόματα στη λειτουργία απενεργοποίησης οθόνης, πατήστε οποιοδήποτε πλήκτρο για να φωτίσετε την οθόνη.

Τηλεχειριστήριο: Πριν χρησιμοποιήσετε το τηλεχειριστήριο (11), αφαιρέστε το πλαστικό φύλλο αλουμινίου στη δεξιά πλευρά του τηλεχειριστηρίου. Η λειτουργία τηλεχειρισμού είναι ίδια με τη λειτουργία χειρός του άνω πίνακα (8).

**ΠΩΣ ΝΑ ΑΛΛΑΞΕΤΕ ΤΗ ΜΠΑΤΑΡΙΑ ΤΟΥ ΡΑΜΠΟΤ ΕΛΕΓΧΟΥ:**

1. Το κάλυμμα της μπαταρίας μπορεί να ανοίξει με κέρμα ή παρόμοια.
2. Εγκαταστήστε την μπαταρία του κουμπιού, προσέξτε την πολικότητα της μπαταρίας ("+" προς τα πάνω και "-" προς τα κάτω).
3. Καλύψτε το κάλυμμα της μπαταρίας.

**ΚΑΘΑΡΙΣΜΟΣ ΚΑΙ ΣΥΝΤΗΡΗΣΗ**

1. Βεβαιωθείτε ότι η συσκευή δεν είναι ζεστή.
2. Πριν καθαρίσετε τη συσκευή, αφαιρέστε το φως από την ηλεκτρική πρίζα.
3. Διατηρείτε καθαρά τα ανοίγματα εισόδου και εξόδου αέρα. Μην αφήνετε τη σκόνη να συσσωρεύεται στα ανοίγματα.
4. Καθαρίστε το περίβλημα χρησιμοποιώντας μόνο στεγνό ή υγρό πανί.
5. Μην βυθίζετε τη συσκευή σε νερό!

**ΤΕΧΝΙΚΑ ΔΕΔΟΜΕΝΑ:**

Ισχύς: 2200W

Τροφοδοσία: 220-240V ~ 50Hz



φροντίζουμε το φυσικό περιβάλλον. Παρακαλούμε να πετάτε τις συσκευασίες από χαρτόνι στον κάδο ανακύκλωσης απορριμμάτων χαρτιού. Τις σακούλες από πολυαιθυλένιο (PE), απορρίψτε τις στον κάδο ανακύκλωσης πλαστικών. Η φθαρμένη συσκευή πρέπει να απορριπτεί στο κατάλληλο σημείο, εξαιτίας των επικίνδυνων στοιχείων που περιέχει και τα οποία μπορεί να αποτελέσουν απειλή για το περιβάλλον. Η ηλεκτρική συσκευή πρέπει να απορριπτεί με τέτοιο τρόπο ώστε να περιοριστεί η επαναχρησιμοποίησή της. Εάν στη συσκευή βρίσκονται μπαταρίες, αυτές πρέπει να αφαιρεθούν και να πεταχτούν σε ξεχωριστό κάδο.

**HRVATSKI**

**OPĆI UVJETI SIGURNOSTI**

**VAŽNE UPUTE O SIGURNOSTI MOLIMO VAS PAŽLJIVO PROČITAJTE I NASTAJITE NA BUDUĆOJ REFERENCI**

1. Prije uporabe uređaja, pročitajte upute za uporabu i slijedite upute u njima. Proizvođač nije odgovoran za bilo kakvu štetu nastalu uporabom uređaja suprotno namjeravanoj uporabi ili nepravilnim radom.
2. Uređaj je samo za kućnu uporabu. Nemojte koristiti u druge svrhe koje nisu u skladu s namjenom.
3. Uređaj treba spojiti na 220-240V ~ 50 / 60Hz. Kako bi se povećala sigurnost uporabe,

- mnoگی električni uređaji ne bi trebali biti istovremeno povezani u jedan električni krug.
4. Budite posebno oprezni kada koristite uređaj kada su djeca u blizini. Ne dopustite djeci da se igraju uređajem i ne dopustite da ga koriste djeca ili osobe koje nisu upoznate s uređajem.
  5. **UPOZORENJE:** Ovu opremu mogu koristiti djeca starija od 8 godina i osobe smanjenih tjelesnih, osjetilnih ili mentalnih sposobnosti ili osobe bez iskustva ili znanja o opremi, ako se to radi pod nadzorom osobe odgovorne za svoju sigurnost ili su im dostavljene upute o sigurnoj uporabi uređaja i svjesni su opasnosti povezanih s njegovom uporabom. Djeca se ne smiju igrati opremom. Čišćenje i održavanje korisnika ne smiju obavljati djeca, osim ako su starija od 8 godina i ako se te aktivnosti obavljaju pod nadzorom.
  6. Uvijek nakon upotrebe, izvucite utikač iz utičnice držeći utičnicu rukom. **NEMOJTE** povlačiti kabel.
  7. Kabel, utikač i cijeli uređaj nemojte uranjati u vodu ili bilo koju drugu tekućinu. Uređaj ne izlažite vremenskim uvjetima (kiša, sunce itd.) Niti ga koristite u uvjetima visoke vlažnosti (kupaonice, vlažne mobilne kućice).
  8. Povremeno provjeravajte stanje kabela za napajanje. Ako je kabel za napajanje oštećen, treba ga zamijeniti specijalizirana servisna radionica kako bi se izbjegla opasnost.
  9. Ne koristite uređaj ako je kabel za napajanje oštećen ili ako je na bilo koji način ispušten ili oštećen ili ako ne radi ispravno. Nemojte sami popravljati uređaj jer može prouzročiti električni udar. Onesite oštećeni uređaj u odgovarajući servisni centar na pregled ili popravak. Popravke smiju izvoditi samo ovlašteni servisni centri. Neispravno izvedeni popravci mogu ozbiljno ugroziti korisnika.
  10. Uređaj postavite na hladnu, stabilnu, ravnu površinu, dalje od uređaja za grijanje kao što su: električni štednjak, plinski plamenik itd.
  11. Ne koristite uređaj u blizini zapaljivih materijala.
  12. Za dodatnu zaštitu poželjno je u električni krug ugraditi uređaj za preostalu struju (RCD) s nazivnom zaostalom strujom koja ne prelazi 30 mA. S tim u vezi, obratite se specijalističkom električaru.
  13. Kada se uređaj koristi u kupaonici, izvadite utikač iz utičnice nakon upotrebe, jer je blizina vode opasnost čak i kad je uređaj isključen.
  14. Ne stavljajte prste ili bilo kakve predmete ili metalne strane predmete unutar proizvoda kroz ventilacijsku rešetku i druge utore, jer to može prouzročiti električni udar ili kvar.
  15. Ne stavljajte nikakve predmete na vrh uređaja. Ventilacijski otvori ne smiju biti prekriven ručnikom, zavjesom itd. Može oštetiti uređaj ili izazvati požar.
  16. Uređaj se zagrijava tijekom rada, ne dodirujte vruće dijelove uređaja. Ne dodirujte uređaj mokrim rukama.
  17. Ako se konvektor smoči ili padne bilo koji predmet ventilacijsku rešetku konvektora, odmah je isključite i odvojite od mreže. Prije ponovnog pokretanja pomoću konvektora obratite se servisu.
  18. Nemojte postavljati stroj izravno ispod električne utičnice.
  19. Uvijek isključite uređaj pomoću tipki prije nego što ga odspojite s električne mreže.

20. Ne koristite ovaj uređaj ako je pao.
21. Ne upotrebljavajte ako postoje vidljivi znakovi oštećenja uređaja.
22. Upotrijebite grijač na ravnoj i stabilnoj površini ili ga pričvrstite na zid, ako to predviđa proizvođač.
23. Svi predmeti trebaju biti udaljeni najmanje 1 metar od prednje i bočne strane uređaja.
24. Ne stavljajte i ne dopuštajte stranim predmetima da uđu u ventilacijske ili ispušne otvore jer to može dovesti do strujnog udara, požara ili oštećenja proizvoda.
25. Čest uzrok pregrijavanja je prašina ili dlake unutar uređaja. Obavezno redovito uklanjajte te naslage isključivanjem uređaja i usisavanjem ventilacijskih otvora i rešetki, filtera, ako su dostupni.
26. Ne upotrebljavajte ovaj uređaj na prozoru jer kiša može prouzročiti električni udar.
27. Ne spajajte uređaj na izvor napajanja dok ga ne instalirate u krajnji položaj i ne postavite u položaj za upotrebu.
28. Ne preporučuje se uporaba produžnog kabela s ovim uređajem.
29. Kabel nemojte stavljati ispod tepiha, prostirki, prostirki itd. Kabel držite dalje od mjesta na kojima bi se mogao spotaknuti.
30. Ne koristite ovaj uređaj s programatorom, timerom ili bilo kojim drugim uređajem koji automatski uključuje grijač jer postoji opasnost od požara ako je uređaj pokriven ili pogrešno postavljen.
31. Da bi se izbjegla opasnost od nenamjernog resetiranja termalnog isključenja, ovaj se uređaj ne smije napajati vanjskim preklopnim uređajem, poput sata, niti spajati na krug koji se redovito uključuje i isključuje iz mreže.
32. Uređaj nemojte močiti. Ako uređaj padne u vodu, odmah odspojite utikač iz utičnice. Ne stavljajte ruke u vodu kad je uređaj priključen na struju. Prije ponovne uporabe mora ga provjeriti ovlašteni servisni centar.
33. Uređaj treba isključiti kad god ga odložite.
34. Nikada ne palite uređaj kada spremnik nije napunjen vodom.
35. Koristite samo čistu, hladnu vodu.
36. Ne sipajte vodu u spremnik iznad maksimalne razine.
37. Ne potapajte bazu uređaja.
38. Nemojte dodavati nikakve kemikalije u spremnik, podnožje ili odvod pare. U vodu nemojte dodavati aromatična ulja, sol, tablete za uklanjanje kamenca, praške ili sredstva za čišćenje.
39. Poklopac punila / poklopac spremnika za vodu uvijek treba biti stalno zašrafljen / zatvoren.
40. Pazite da izlaz vodene magle ovlaživača zraka ne usmjerava izravno prema zidovima, namještaju, električnim utičnicama, električnim i elektroničkim uređajima i djeci. Previše vlage u sobi može dovesti do nakupljanja vlage, uzrokujući rast bakterija i gljivica te oštećujući zidove, namještaj i tapete.
41. Ne blokirajte ventilaciju uređaja. Držite se na udaljenosti od uređaja najmanje 100 cm. Ne blokirajte izlaz vodene magle funkcijom ovlaživača zraka.
42. Ne koristite uređaj tamo gdje postoji opasnost od kondenzacije. Vlaga se može stvoriti s

unutarnje i vanjske strane uređaja kada:

- uređaj je premješten s hladnog na toplo mjesto,
- sustav grijanja je upravo uključen,
- uređaj se koristi u sobi s visokom vlagom,
- uređaj hladi sustav hlađenja klima uređaja.

Kad se u uređaju dogodi kondenzacija vlage, on možda neće raditi ispravno ili u ekstremnim slučajevima može biti oštećen. U tom slučaju nemojte koristiti uređaj i ostavite ga da se suši nekoliko sati.

43. Nemojte se nagnjati, padati ili pokušavati napuniti ili izljevati vodu iz uređaja dok radi.

44. Ne uklanjajte spremnik s baze uređaja dok radi funkcija ovlaživača zraka.

45. Napunjen spremnik za vodu je težak. Kad ga nosite, držite ga i ispod.

46. Ne koristite uređaj ako curi voda.

47. Ne ostavljajte vodu u spremniku kad stroj nije u upotrebi.

48. Očistite ovlaživač zraka nakon svakog ciklusa upotrebe uređaja. Slijedite upute za čišćenje u ovom priručniku.

49. Nikada ne dopustite da talog, vlaga ili voda ostanu u spremniku (to može prouzročiti onečišćenje ili čak oštetiti ultrazvučni raspršivač).

50. Tijekom dugotrajnog rada uređaja, vodena magla koju emitira ovlaživač zraka može pasti na pod i uzrokovati vlagu.

**UPOZORENJE:** Ne koristite ovaj grijač u malim sobama u kojima postoje ljudi koji ih ne mogu sami ostaviti, osim ako nije osiguran stalni nadzor.

**UPOZORENJE:** Da biste smanjili rizik od požara, držite tekstil, zavjese ili druge zapaljive materijale najmanje 1 m od izlaza zraka iz grijača.



"Oprez vruća površina" - Temperatura pristupačnih površina može biti viša tijekom rada, što znači da se elementi kućišta tijekom rada zagrijavaju. OPREZ !!!



NAPOMENA: Da biste izbjegli pregrijavanje - ne pokrivajte grijač. Ne prekrivajte uređaj odjećom, pokrivačima ili drugim tekstilom koji može izazvati paljenje.



Uređaj nemojte koristiti u blizini vode, npr. pod tušem, kadom ili preko umivaonika s vodom.

## MONTAŽA

Montaža osnove (10): Poravnajte četiri rupe za vijke za pričvršćivanje podnožja (10) s stupovima vijaka osnove (10) i uvrnite četiri samorezna vijka kako biste proizvod stavili u upotrebu. Pogledajte sliku 2.

## OPIS PROIZVODA (slika 1)

- |                       |                          |
|-----------------------|--------------------------|
| 1. Vlažni izlaz zraka | 2. Prednja ploča zaslona |
| 3. Izlaz za zrak      | 4. Kućište               |
| 5. Ulaz za zrak       | 6. Natrag                |



- |                           |                        |
|---------------------------|------------------------|
| 7. Poklopac za odvod      | 8. Gore ploče          |
| 9. Ispusni čep            | 10. Baza               |
| 11. Daljinsko upravljanje | 12. Prekidač napajanja |

## OZNAKA GORNJE I PREDNJE PLOČE & DALJINSKOG UPRAVLJANJA - Slika 3

- |  |                                    |  |
|--|------------------------------------|--|
| A. Gumb za čekanje                                   | A1. Indikator funkcije ventilatora |  |
| B. Gumb za odbrojavanje                              | B1. Pokazatelj vremena             | B2. Timera / temperature / indikatora odbrojavanja za hlađenje |
| C. Tipka za mjerenje vremena / povećanje temperature |                                    | D. Tipka za odbrojavanje / smanjenje temperature               |
| E. Tipka za regulaciju razine grijanja               |                                    | E1. Pokazatelj niske razine grijanja                           |
| E2. Pokazatelj visoke razine grijanja                |                                    | F. Gumb za osciliranje   |
| G. Funkcijska tipka ovlaživača                       |                                    | G1. Indikator ovlaživača                                       |
| H. Pokazatelj jedinice temperature                   |                                    |  |

## UPOTREBA

1. Uključivanje: Postavite uređaj na stabilan pod i umetnite utikač u utičnicu. Uključite prekidač za napajanje (12) na stražnjoj strani proizvoda. "I" znači uključeno, "0" znači isključeno. U ovom trenutku uređaj je u stanju čekanja, zaslon prikazuje temperaturu okoline (B2), a indikator jedinice temperature (H) svijetlit će.

### 2. Ventilator

Pritisnite gumb (A), zasvijetlit će indikator (A1) i ventilator radi (protok zraka na sobnoj temperaturi).

### 3. Grijanje

Pritisnite tipku (E) jednom za nisko zagrijavanje ~ 1500W, zaslon svijetli indikator (E1).

Pritisnite tipku (E) dvaput za visoko zagrijavanje 2200W, zaslon će zasvijetliti oba indikatora (E1 + E2).

Ponovno pritisnite gumb (E) da biste isključili grijanje.

Funkcija TIMER: Pritisnite tipku (B) više puta da biste postavili razdoblje nakon kojeg će se uređaj sam isključiti (između 1,0 sata - 12,0 sati, u koracima od 60 minuta). Istodobno prikaz svjetla indikatora timera (B1).

OSCILACIJA: Pritisnite gumb (F) za aktiviranje oscilacija, uređaj će se okretati udesno i ulijevo kako bi ravnomjerno rasporedio ispušni zrak. Pritisnite ponovno tipku (F) da biste poništili funkciju osciliranja.

## PRILAGODAVANJE TEMPERATURE

Podesite sobnu temperaturu pritiskom na tipku (D) ili (C). Zadana postavljena temperatura je 25 °C. Raspon temperature od 10-35 °C.

Pritisnite gumb (D) da biste povećali željenu temperaturu i pritisnite gumb (C) da biste smanjili željenu temperaturu. Uređaj je inteligentno programiran, on odabire radnu razinu između niske ili jake vrućine prema željenoj temperaturi i trenutnoj temperaturi okoline.

## FUNKCIJA HUMIDIFIKACIJE

Ispuva ulijte vodu u spremnik za vodu (13) prema dolje opisanim uputama. Da biste vodu izlili u spremnik za vodu (13), prvo isključite uređaj. Sljedeći pritisnite i povucite van izbočeni dio na stražnjem poklopcu (6) - pogledajte sliku 4. Izvadite spremnik za vodu (13) iz kućišta, odvrnite čep spremnika za vodu (13) u smjeru suprotnom od kazaljke na satu, ulijte čistu vodu ( dodana esencijalna ulja) i dobro zavrnite čep. Stavite spremnik za vodu (13) u kućište. Dobro postavite poklopac na dva zasuna i gurnite ga da se zatvori.

Funkcija ovlaživanja može se normalno koristiti. Uključite uređaj.

Pritisnite gumb (G), proizvod uključuje funkciju ovlaživanja, svijetli indikator ovlaživanja (G1). Ponovno pritisnite gumb (G) da biste isključili

funkciju vlaženja, istovremeno će se isključiti indikator vlaženja (G1). Funkcija ovlaživanja također se može koristiti zasebno kada je funkcija ventilatora / grijanja isključena, ali je napajanje uključeno.

Za ispuštanje vode otvorite poklopac odvoda (7) povucite ispušni čep (9) i ispusite podsetnu vodu u odgovarajući spremnik.

Kada se uređaj ne koristi dulje vrijeme, vodu u spremniku treba isпустiti.

Primjenjivi uvjeti okoline za rad uređaja:

- temperatura upotrebe funkcije grijanja u rasponu od -20 ° C do 25 ° C.
- funkcija ovlaživača zraka pri temperaturi u rasponu od 5 ° C do 40 ° C i relativnoj vlažnosti manjoj od 80%.

Da biste isključili uređaj, ponovno pritisnite gumb (A). Zatim će ventilator hladiti grijači element unutar kućišta tijekom 30 sekundi, a zatim će se automatski isključiti. Ako uređaj prije nije uključen na funkciju grijanja, preći će izravno u stanje pripravnosti.

Isključivanje osvjjetljenja prednje ploče zaslona (2): Nakon što uređaj radi 10 minuta, automatski će ući u način isključivanja svjetla, pritisnite bilo koju tipku za osvjjetljenje zaslona.

Daljinski upravljač: Prije upotrebe daljinskog upravljača (11) oduzmite komad plastične folije s desne strane daljinskog upravljača. Daljinsko upravljanje je isto kao ručno upravljanje gornjom pločom (8).

#### KAKO PROMIJENITI BATERIJU DALJINSKOG UPRAVLJAČA:

1. Poklopac baterije može se otvoriti novčićem ili slično.
2. Instalirajte bateriju gumba, obratite pažnju na polaritet baterije ("+" licem prema gore i "-" licem prema dolje).
3. Pokrijte poklopac baterije.

#### ČIŠĆENJE I ODRŽAVANJE

1. Provjerite je li uređaj vruć.
2. Prije čišćenja uređaja izvadite utikač iz električne utičnice.
3. Ulazni i izlazni otvori za zrak održavajte čistima. Ne dopustite da se prašina skuplja na otvorima.
4. Očistite kućište samo suhom ili vlažnom krpom.
5. Ne uranjajte uređaj u vodu!

#### TEHNIČKI PODACI:

Snaga: 2200W

Napajanje: 220-240V ~ 50Hz



Vodimo brigu o prirodnom okolišu. Kartonsku ambalažu molimo prenijeti na otpadni papir. Polietilen (PE) vreće bacati u kontejner za plastiku. Istrošena oprema treba biti premještena na prikladno mjesto za pohranu, jer sadrže u uređaju opasne tvari mogu predstavljati opasnost za okoliš. Električni uređaj mora biti predat u takvom stanju da se smanji mogućnost njegove ponovne upotrebe. Ako vaš uređaj ima baterije, treba njih ukloniti i predati na mjesto za pohranu odvojeno.

## ITALIANO

### CONDIZIONI GENERALI DI SICUREZZA

### IMPORTANTI ISTRUZIONI DI SICUREZZA SI PREGA DI LEGGERE ATTENTAMENTE E CONSERVARLA PER RIFERIMENTI FUTURI

1. Prima di utilizzare il dispositivo, leggere le istruzioni per l'uso e seguire le istruzioni in esse contenute. Il produttore non è responsabile per eventuali danni causati dall'utilizzo del

dispositivo contrario all'uso previsto o da un funzionamento improprio.

2. L'apparecchio è solo per uso domestico. Non utilizzare per altri scopi non conformi all'uso previsto.

3. Il dispositivo deve essere collegato a 220-240 V ~ 50/60 Hz. Per aumentare la sicurezza d'uso, molti dispositivi elettrici non dovrebbero essere collegati a un circuito elettrico contemporaneamente.

4. Prestare particolare attenzione quando si utilizza il dispositivo quando i bambini sono nelle vicinanze. Non consentire ai bambini di giocare con il dispositivo e non consentire a bambini o persone che non hanno familiarità con il dispositivo di utilizzarlo.

5. **AVVERTENZA:** questa apparecchiatura può essere utilizzata da bambini di età superiore a 8 anni e da persone con capacità fisiche, sensoriali o mentali ridotte o da persone senza esperienza o conoscenza dell'attrezzatura, se questo viene fatto sotto la supervisione di una persona responsabile. La loro sicurezza o sono state fornite loro istruzioni sull'uso sicuro del dispositivo e sono consapevoli dei pericoli associati al suo utilizzo. I bambini non dovrebbero giocare con l'attrezzatura. La pulizia e la manutenzione dell'utente non devono essere eseguite da bambini, a meno che non abbiano più di 8 anni e queste attività vengano eseguite sotto supervisione.

6. Sempre dopo l'uso, rimuovere la spina dalla presa tenendo la presa con la mano. **NON** tirare il cavo.

7. Non immergere il cavo, la spina e l'intero dispositivo in acqua o altri liquidi. Non esporre il dispositivo agli agenti atmosferici (pioggia, sole, ecc.) Né utilizzarlo in condizioni di elevata umidità (bagni, case mobili umide).

8. Controllare periodicamente le condizioni del cavo di alimentazione. Se il cavo di alimentazione è danneggiato, deve essere sostituito da un'officina specializzata per evitare rischi.

9. Non utilizzare l'apparecchio se il cavo di alimentazione è danneggiato o se è caduto o è stato danneggiato in qualsiasi modo o se non funziona correttamente. Non riparare da soli il dispositivo poiché potrebbe causare scosse elettriche. Portare il dispositivo danneggiato a un centro di assistenza appropriato per l'ispezione o la riparazione. Eventuali riparazioni possono essere eseguite solo da centri di assistenza autorizzati. Le riparazioni eseguite in modo errato possono rappresentare una seria minaccia per l'utente.

10. Posizionare il dispositivo su una superficie fresca, stabile e piana, lontano da apparecchi di riscaldamento quali: fornelli elettrici, fornelli a gas, ecc.

11. Non utilizzare il dispositivo vicino a materiali infiammabili.

12. Per una protezione aggiuntiva, si consiglia di installare un dispositivo a corrente residua (RCD) nel circuito elettrico con una corrente residua nominale non superiore a 30 mA. A questo proposito, consultare un elettricista specializzato.

13. Quando il dispositivo viene utilizzato in bagno, rimuovere la spina dalla presa dopo l'uso, poiché la vicinanza dell'acqua è un pericolo anche quando il dispositivo è spento.

14. Non inserire le dita o altri oggetti o corpi estranei metallici all'interno del prodotto, attraverso la griglia di ventilazione e altre fessure, altrimenti potrebbero verificarsi scosse

elettriche o malfunzionamenti.

15. Non collocare alcun oggetto sopra il dispositivo. Gli sfiati non devono essere coperto da un asciugamano, una tenda, ecc. Potrebbe danneggiare il dispositivo o provocare un incendio.

16. Il dispositivo si riscalda durante il funzionamento, non toccare le parti calde del dispositivo. Non toccare il dispositivo con le mani bagnate.

17. Se il termoconvettore si bagna o qualsiasi oggetto cade la griglia di ventilazione del convettore, spegnerla immediatamente e scollegarla dalla rete elettrica. Prima del rilancio

utilizzando il termoconvettore, contattare il servizio.

18. Non posizionare la macchina direttamente sotto una presa elettrica.

19. Spegner sempre il dispositivo utilizzando i pulsanti prima di scollegarlo dalla rete elettrica.

20. Non utilizzare questo dispositivo se è caduto.

21. Non utilizzare se sono presenti segni visibili di danneggiamento del dispositivo.

22. Utilizzare la stufa su una superficie piana e stabile o fissarla alla parete, se previsto dal produttore.

23. Tutti gli elementi devono essere ad almeno 1 metro dalla parte anteriore e dai lati del dispositivo.

24. Non inserire o consentire l'ingresso di oggetti estranei nelle aperture di ventilazione o di scarico poiché ciò potrebbe causare scosse elettriche, incendi o danni al prodotto.

25. Una causa comune di surriscaldamento è la polvere o altri residui all'interno del dispositivo. Assicurarsi che questi depositi vengano rimossi regolarmente scollegando l'unità e aspirando le prese d'aria e le griglie, i filtri, se disponibili.

26. Non utilizzare questo dispositivo in una finestra poiché la pioggia può causare scosse elettriche.

27. Non collegare l'apparecchio a una fonte di alimentazione finché non è stato installato nella sua posizione definitiva e posizionato nella posizione per l'uso.

28. Si sconsiglia di utilizzare una prolunga con questo dispositivo.

29. Non posizionare il cavo sotto tappeti, moquette, ecc. Tenere il cavo lontano da luoghi in cui potrebbe inciampare su di esso.

30. Non utilizzare questo dispositivo con un programmatore, un timer o qualsiasi altro dispositivo che accende automaticamente il riscaldatore poiché esiste il rischio di incendio se il dispositivo è coperto o posizionato in modo errato.

31. Per evitare il pericolo di riarmo involontario dell'interruttore termico, questo apparecchio non deve essere alimentato da un dispositivo di commutazione esterno, come un orologio, o collegato ad un circuito che viene regolarmente acceso e spento dalla rete.

32. Non bagnare il dispositivo. Se il dispositivo cade in acqua, scollegare immediatamente la spina dalla presa. Non immergere le mani in acqua quando il dispositivo è collegato. Prima del riutilizzo, deve essere controllato da un centro di assistenza autorizzato.

33. Il dispositivo deve essere spento ogni volta che lo si ripone.

34. Non accendere mai il dispositivo quando il serbatoio non è pieno d'acqua.
  35. Utilizzare solo acqua fresca e pulita.
  36. Non versare acqua nel serbatoio oltre il livello massimo.
  37. Non immergere la base del dispositivo.
  38. Non aggiungere prodotti chimici al serbatoio, alla base o all'uscita del vapore. Non aggiungere all'acqua oli aromatici, sale, pastiglie disincrostanti, polveri o detersivi.
  39. Il tappo del serbatoio / coperchio del serbatoio dell'acqua deve essere sempre avvitato / chiuso in ogni momento.
  40. Fare attenzione che l'uscita dell'acqua nebulizzata dell'umidificatore non punti direttamente verso pareti, mobili, prese elettriche, dispositivi elettrici ed elettronici e bambini. Troppa umidità nella stanza può portare a un accumulo di umidità, provocando la crescita di batteri e funghi e danneggiando pareti, mobili e carta da parati.
  41. Non bloccare la ventilazione del dispositivo. Mantenere una distanza di almeno 100 cm dal dispositivo. Non bloccare l'uscita dell'acqua nebulizzata con la funzione umidificatore.
  42. Non utilizzare il dispositivo dove esiste il rischio di condensa. L'umidità può formarsi all'interno e all'esterno dell'apparecchio quando:
    - il dispositivo viene spostato da un luogo freddo a uno caldo,
    - l'impianto di riscaldamento è stato appena acceso,
    - il dispositivo viene utilizzato in una stanza con elevata umidità,
    - il dispositivo è raffreddato dal sistema di raffreddamento dell'aria condizionata.
- Quando si forma condensa nel dispositivo, potrebbe non funzionare correttamente o, in casi estremi, potrebbe essere danneggiato. In questo caso, non utilizzare il dispositivo e lasciarlo asciugare per diverse ore.
43. Non inclinare, cadere o tentare di riempire o versare acqua dal dispositivo mentre è in funzione.
  44. Non rimuovere il serbatoio dalla base del dispositivo mentre è attiva la funzione umidificatore.
  45. Un serbatoio dell'acqua pieno è pesante. Quando lo trasporti, tienilo anche sotto.
  46. Non utilizzare il dispositivo in caso di perdita d'acqua.
  47. Non lasciare acqua nel serbatoio quando la macchina non è in uso.
  48. Pulire l'umidificatore dopo ogni ciclo di utilizzo del dispositivo. Seguire le istruzioni per la pulizia in questo manuale.
  49. Non lasciare mai sedimenti, umidità o acqua nel serbatoio (ciò può causare contaminazione o addirittura danneggiare l'atomizzatore a ultrasuoni).
  50. Durante il funzionamento a lungo termine del dispositivo, l'acqua nebulizzata emessa dall'umidificatore può cadere sul pavimento e causare umidità.

**ATTENZIONE:** Non utilizzare questa stufa in stanze piccole dove ci sono persone che non possono lasciarla da sole, a meno che non sia assicurata una supervisione costante.

**AVVERTENZA:** per ridurre il rischio di incendi, mantenere tessuti, tende o altri materiali infiammabili ad almeno 1 m di distanza dall'uscita dell'aria del riscaldatore.



"Attenzione superficie calda" - La temperatura delle superfici accessibili può essere più alta durante il funzionamento, il che significa che gli elementi della custodia si surriscaldano durante il funzionamento. ATTENZIONE !!!



NOTA: per evitare il surriscaldamento, non coprire il riscaldatore. Non coprire il dispositivo con vestiti, coperte o altri tessuti che potrebbero causare l'accensione.



Non utilizzare il dispositivo vicino all'acqua, ad es. in una doccia, vasca da bagno o sopra un lavabo con acqua.

## MONTAGGIO

Il montaggio della base (10): allineare i quattro fori per le viti di fissaggio della base (10) con i perni delle viti della base (10) e avvitare con quattro viti autofilettanti per mettere in uso il prodotto. Guarda la figura 2.

## DESCRIZIONE DEL PRODOTTO (Figura 1)

- |                            |  |
|----------------------------|--|
| 1. Uscita aria umidificata | 2. Pannello di visualizzazione anteriore |
| 3. Presa d'aria            | 4. Alloggiamento                         |
| 5. Ingresso aria           | 6. Copertina posteriore                  |
| 7. Drain copertura         | 8. Pannelli superiori                    |
| 9. Tappo di scarico        | 10. La base                              |
| 11. Telecomando            | 12. Interruttore di alimentazione        |

## MARCATURA DEL PANNELLO SUPERIORE E DEL PANNELLO FRONTALE E DEL TELECOMANDO - Figura 3

- |  |  |
|--|--|
| A. Pulsante Standby  | A1. Indicatore di funzione del ventilatore         |
| B. Pulsante timer  | B1 Indicatore del timer                            |
| B2 Indicatore conto alla rovescia timer / temperatura / raffreddamento |  |
| C. Pulsante di aumento del timer / temperatura                         | D. Pulsante di diminuzione del timer / temperatura |
| E. Pulsante di regolazione del livello di riscaldamento                | E1. Indicatore di basso livello di riscaldamento   |
| E2. Indicatore di alto livello di riscaldamento                        | F. Pulsante Oscillazione                           |
| G. Pulsante funzione umidificatore                                     | G1. Indicatore umidificatore                       |
| H. Indicatore dell'unità di temperatura                                |  |

## UTILIZZO

1. Accensione: posizionare il dispositivo su un pavimento stabile e inserire la spina nella presa. Accendere l'interruttore di alimentazione (12) sul retro del prodotto. "I" significa acceso, "0" significa spento. A questo punto, il dispositivo è in modalità standby, il display mostra la temperatura ambiente (B2) e l'indicatore dell'unità di temperatura (H) si accende.

### 2. Ventilatore

Premere il pulsante (A), la spia (A1) si accenderà e la ventola sarà in funzione (far scorrere l'aria a temperatura ambiente).

### 3. Riscaldamento

Premere una volta il pulsante (E) per il riscaldamento a basso livello ~ 1500W il display si accende l'indicatore (E1).

Premere due volte il pulsante (E) per il riscaldamento ad alto livello 2200W, il display si accenderà entrambi gli indicatori (E1 + E2).

Premere nuovamente il pulsante (E) per annullare il riscaldamento.

Funzione TIMER: premere ripetutamente il pulsante (B) per impostare un periodo dopo il quale il dispositivo si spegnerà (tra 1,0 ora e 12,0 ore, con incrementi di 60 minuti). Allo stesso tempo, l'indicatore del timer (B1) si illumina.

Funzione OSCILLAZIONE: Premere il pulsante (F) per attivare l'oscillazione, il dispositivo oscillerà verso destra e verso sinistra per distribuire uniformemente l'aria di scarico. Premere nuovamente il pulsante (F) per annullare la funzione di oscillazione.

## REGOLAZIONE DELLA TEMPERATURA

Regolare la temperatura ambiente premendo il pulsante (D) o (C). La temperatura di impostazione predefinita è 25 °C. Intervallo di temperatura da 10 a 35 °C. Premere il pulsante (D) per aumentare la temperatura desiderata e premere il pulsante (C) per diminuire la temperatura desiderata. Il dispositivo è programmato in modo intelligente, seleziona il livello di lavoro tra calore basso o alto in base alla temperatura desiderata e alla temperatura ambiente attuale.

## FUNZIONE DI UMIDIFICAZIONE

Per prima cosa versare l'acqua nel serbatoio dell'acqua (13) secondo le istruzioni descritte di seguito. Per versare l'acqua nel serbatoio dell'acqua (13), scollegare prima il dispositivo. Quindi premere verso il basso e tirare all'esterno la parte sporgente sul coperchio posteriore (6) - vedere la figura 4. Estrarre il serbatoio dell'acqua (13) dall'alloggiamento, svitare il tappo del serbatoio dell'acqua (13) in senso antiorario, versare acqua pulita (no oli essenziali aggiunti) e avvitare saldamente il tappo. Mettere il serbatoio dell'acqua (13) all'interno dell'alloggiamento. Posizionare bene il coperchio su due punti di chiusura e spingerlo per chiuderlo.

La funzione di umidificazione può essere utilizzata normalmente. Collega il dispositivo.

Premere il pulsante (G), il prodotto attiva la funzione di umidificazione, l'indicatore di umidificazione (G1) si accende. Premere nuovamente il pulsante (G) per disattivare la funzione di umidificazione, contemporaneamente si spegnerà l'indicatore di umidificazione (G1). La funzione di umidificazione può essere utilizzata anche separatamente quando la funzione di ventilazione / riscaldamento è spenta ma l'alimentazione è accesa.

Per scaricare l'acqua aprire il coperchio di scarico (7) tirare il tappo di scarico (9) e scaricare l'acqua di richiamo nell'apposito serbatoio.

Quando il dispositivo non viene utilizzato per un lungo periodo, l'acqua nel serbatoio deve essere drenata.

Condizioni ambientali applicabili per il funzionamento del dispositivo:

- temperatura di utilizzo della funzione riscaldamento nel range da -20 ° C a 25 ° C.
- utilizzo della funzione umidificatore con temperatura compresa tra 5 ° C e 40 ° C e umidità relativa inferiore all'80%.

Per spegnere il dispositivo premere nuovamente il pulsante (A). Quindi, la ventola raffredderà l'elemento

riscaldante all'interno dell'alloggiamento per 30 secondi, quindi la ventola si spegnerà automaticamente. Se il dispositivo non è stato impostato in precedenza sulla funzione di riscaldamento, andrà direttamente in standby.

Spegnimento del pannello del display anteriore (2): Dopo che il dispositivo ha funzionato per 10 minuti, entrerà automaticamente in modalità schermo spento, premere un tasto qualsiasi per illuminare lo schermo.

Telecomando : Prima di utilizzare il telecomando (11), rimuovere la pellicola di plastica sul lato destro del telecomando. Il funzionamento del telecomando è lo stesso del funzionamento manuale del pannello superiore (8).

#### COME CAMBIARE LA BATTERIA DEL TELECOMANDO:

1. Il coperchio della batteria può essere aperto con una moneta o simili.
2. Installare la batteria a bottone, prestare attenzione alla polarità della batteria ("+" rivolto verso l'alto e "-" rivolto verso il basso).
3. Coprire il coperchio della batteria.

#### PULIZIA E MANUTENZIONE

1. Assicurarsi che il dispositivo non sia caldo.
2. Prima di pulire il dispositivo rimuovere la spina dalla presa elettrica.
3. Tenere pulite le aperture di ingresso e uscita dell'aria. Non lasciare che la polvere si accumuli sulle aperture.
4. Pulire l'alloggiamento utilizzando solo un panno asciutto o umido.
5. Non immergere il dispositivo in acqua!

#### DATI TECNICI:

Potenza: 2200 W

Alimentazione: 220-240 V ~ 50 Hz



Prendersi cura dell'ambiente

Gli imballi di cartone devono essere smaltiti nel contenitore per la carta. I sacchetti di polietilene (PE) vanno gettati nel contenitore per la plastica. L'apparecchio usato deve essere rottamato presso un centro di raccolta autorizzato, poiché contiene elementi pericolosi che potrebbero costituire una minaccia per l'ambiente. I dispositivi elettrici devono essere resi al fine di evitare il loro riutilizzo. Se il dispositivo contiene una batteria, deve essere rimossa e smaltita separatamente in un punto di raccolta.

Non gettare l'apparecchio nei contenitori dei rifiuti urbani!

македонски

### ОПШТИ УСЛОВИ ЗА БЕЗБЕДНОСТ

### ВАОРТНИ УПАТСТВА ЗА БЕЗБЕДНОСТ ВО ВЕШТА ПРОЧИТАЈТЕ ВНИМАНИЕ И ПРОДОЛЕТЕ ЗА ИДНИОТ РЕФЕРЕНЦИЈА

1. Пред да го користите уредот, прочитајте ги упатствата за работа и следете ги упатствата содржани во него. Производителот не одговара за каква било штета предизвикана од користење на уредот спротивно на неговата намена или неправилното работење.
2. Апаратот е наменет само за домашна употреба. Не користете за други цели што не се во согласност со неговата намена.
3. Уредот треба да биде поврзан на 220-240V ~ 50 / 60Hz. Со цел да се зголеми



безбедноста на употребата, многу електрични уреди не треба да бидат поврзани истовремено со едно електрично коло.

4. Бидете особено внимателни кога го користите уредот кога децата се во близина. Не дозволувајте деца да си играат со уредот и не дозволувајте деца или луѓе кои не се запознаени со уредот да го користат.

5. ПРЕДУПРЕДУВАЕ: Оваа опрема може да ја користат деца над 8-годишна возраст и лица со намалени физички, сензорни или ментални способности или лица без искуство или познавање на опремата, ако тоа е направено под надзор на лице одговорно за нивната безбедност или им се дадени упатства за безбедно користење на уредот и се свесни за опасностите поврзани со неговата употреба. Децата не треба да си играат со опремата. Чистење и одржување на корисникот не треба да го вршат деца, освен ако тие имаат над 8 години и овие активности се вршат под надзор.

6. Секогаш по употреба, извадете го приклучокот од штекерот држејќи го излезот со раката. НЕ повлекувајте го кабелот.

7. Не потопувајте го кабелот, приклучокот и целиот уред во вода или која било друга течност. Не го изложувајте уредот на временски услови (дожд, сонце, итн.) Или го користете во услови на висока влажност (бањи, влажни подвижни домови).

8. Периодично проверувајте ја состојбата на кабелот за напојување. Ако кабелот за напојување е оштетен, треба да се замени со специјализирана продавница за поправки за да се избегне опасност.

9. Не користете го апаратот ако кабелот за струја е оштетен или е паднат или оштетен на кој било начин или ако не работи правилно. Не поправајте го уредот самостојно бидејќи може да предизвика електричен удар. Однесете го оштетениот уред во соодветен сервисен центар за преглед или поправка. Секоја поправка може да се изврши само од овластени сервисни точки. Погрешно извршените поправки можат да претставуваат сериозна закана за корисникот.

10. Ставете го уредот на ладна, стабилна, рамна површина, подалеку од апарати за греење како што се: електричен шпорет, горилник за гас, итн.

11. Не користете го уредот во близина на запаливи материјали.

12. За дополнителна заштита, препорачливо е да инсталирате уред за резидуална струја (RCD) во електричното коло со номинална преостаната струја не поголема од 30 mA. Во врска со ова, ве молиме консултирајте се со специјалист електричар.

13. Кога уредот се користи во бањата, извадете го приклучокот од приклучокот по употреба, бидејќи непосредна близина на вода е опасност дури и кога уредот е исклучен.

14. Не ставајте прсти или други предмети или метални странски предмети во производот, преку решетката за вентилација и други отвори, во спротивно може да предизвика струен удар или дефект.

15. Не ставајте никакви предмети на горниот дел од уредот. Вентилациите не смеат да бидат

покриено со крпа, завеса и сл. Може да го оштети уредот или да предизвика пожар.

16. Уредот се загрева за време на работата, не допирајте жешки делови од уредот. Не допирајте го уредот со влажни раце.
17. Ако конвекторот се навлажни или пропадне некој предмет конвекторната решетка за вентилација, веднаш исклучете ја и исклучете ја од електричната мрежа. Пред повторно започнување користејќи го конвекторот, контактирајте ја службата.
18. Не ставајте ја машината директно под електричен приклучок.
19. Секогаш исклучувајте го уредот со помош на копчињата пред да го исклучите од електричната мрежа.
20. Не користете го овој уред ако е фрлен.
21. Не користете ако има видливи знаци на оштетување на уредот.
22. Користете го грејачот на рамна и стабилна површина или закачете го на wallидот, доколку е предвидено од производителот.
23. Сите предмети треба да бидат најмалку 1 метар од предната и од страните на уредот.
24. Не ставајте и не дозволувајте странски предмети да влегуваат во отворите за вентилација или издувни гасови, бидејќи тоа може да резултира со електричен удар, пожар или оштетување на производот.
25. Честа причина за прегревање е прашина или влакна во внатрешноста на уредот. Осигурете се дека овие наслаги редовно се отстрануваат со исклучување на уредот и вакумирање на отворите и решетките, филтрите, доколку се достапни.
26. Не користете го овој уред на прозорец бидејќи дождот може да предизвика струен удар.
27. Не го поврзувајте апаратот со извор на напојување додека не се инсталира во својата крајна положба и не се постави во позиција за употреба.
28. Не е препорачливо да користите продолжен кабел со овој уред.
29. Не ставајте го кабелот под теписи, килими, килими, итн. Држете го кабелот подалеку од местата каде што може да се сопне над него.
30. Не користете го овој уред со програмер, тајмер или кој било друг уред што автоматски го вклучува грејачот бидејќи постои ризик од пожар доколку уредот е покриен или поставен неправилно.
31. За да се избегне опасност од ненамерно ресетирање на термичкиот исечок, овој апарат не смее да се напојува од надворешен уред за вклучување, како што е часовник, или поврзан со коло што редовно се вклучува и исклучува од мрежата.
32. Не го навлажнувајте уредот. Ако уредот падне во вода, веднаш исклучете го приклучокот од штекерот. Не ставајте ги рацете во вода кога уредот е вклучен. Пред повторна употреба, мора да се провери од овластен сервисен центар.
33. Уредот треба да се исклучува кога и да го ставите.
34. Никогаш не го вклучувајте уредот кога резервоарот не е исполнет со вода.
35. Користете само чиста, ладна вода.
36. Не истурајте вода во резервоарот над максималното ниво.

37. Не ја потопувајте основата на уредот.
38. Не додавајте никакви хемикалии во резервоарот, основата или излезот на пареа. Не додавајте во водата ароматични масла, сол, таблети за дескалирање, прав или средства за чистење.
39. Капачето за полнење / капакот на резервоарот за вода секогаш треба да се навртува / затвора постојано.
40. Внимавајте излезот за магла за вода на овлажнител да не насочува директно кон wallsидовите, мебелот, електричните приклучоци, електричните и електронските уреди и децата. Премногу влага во просторијата може да доведе до насобирање на влага, предизвикувајќи раст на бактерии и габи и оштетување на wallsидовите, мебелот и позадината.
41. Не блокирајте вентилација на уредот. Чувајте растојание од најмалку 100 см од уредот. Не блокирајте го излезот на магла за вода со функцијата на овлажнител.
42. Не користете го уредот таму каде што постои ризик од кондензација. Влагата може да се формира одвнатре и од надворешната страна на апаратот кога:
  - уредот е преместен од студено на топло место,
  - системот за греење штотуку е вклучен,
  - уредот се користи во просторија со висока влажност,
  - уредот се лади со системот за ладење на климатизацијата.Кога се појавува кондензација на влага во уредот, таа може да не работи правилно или, во екстремни случаи, да биде оштетена. Во овој случај, не користете го уредот и оставете го да се исуши неколку часа.
43. Не навалувајте, паѓајте и обидувајте се да го наполнувате или истурате вода од уредот додека работи.
44. Не вадете го резервоарот од основата на уредот додека работи функцијата на овлажнител.
45. Исполнет резервоар за вода е тежок. Кога го носите, чувајте го и под него.
46. Не користете го уредот ако има истекување на вода.
47. Не оставајте вода во резервоарот кога машината не се користи.
48. Исчистете го овлажнителот по секој циклус на употреба на уредот. Следете ги упатствата за чистење во овој прирачник.
49. Никогаш не дозволувајте талог, влага или вода да останат во резервоарот (ова може да предизвика контаминација или дури и да го оштети ултразвучниот атомизатор).
50. За време на долгорочното работење на уредот, водената магла што ја испушта овлажнител може да падне на подот и да предизвика влага.

**ПРЕДУПРЕДУВАЕ:** Не користете го овој грејач во мали простории каде што има луѓе кои не можат сами да ги остават, освен ако не се обезбеди постојан надзор.

**ПРЕДУПРЕДУВАЕ:** За да го намалите ризикот од пожар, чувајте текстил, завеси или други запаливи материјали најмалку 1 m подалеку од излезот на воздухот на грејачот.



„Внимание топла површина“ - Температурата на пристапните површини може да биде поголема за време на работата, што значи дека елементите на куќиштето се загреваат за време на работата за време на работата. **ВНИМАНИЕ !!!**



**ЗАБЕЛЕШКА:** За да избегнете прегревање - не го покривајте грејачот. Не покривајте го уредот со облека, ќебиња или друг текстил што може да предизвика палење.



Не користете го уредот во близина на вода, на пр. под туш, када или над мијалник со вода.

## МОНТАА

Монтажа на основата (10): Порамнете ги четирите дупки за прицврстување на завртката на основата (10) со завртките на завртката на основата (10) и заврткајте со четири завртки за самопреслушување за да го ставите производот во употреба. Погледнете ја сликата 2.

## ОПИС НА ПРОИЗВОДОТ (Слика 1)

- |                            |                                |
|----------------------------|--------------------------------|
| 1. Излез на влажен воздух  | 2. Предна табла за прикажување |
| 3. Излез на воздухот       | 4. Домување                    |
| 5. Влез во воздухот        | 6. Заден капак                 |
| 7. Исцедете го капакот     | 8. Врвни панели                |
| 9. Исцедете го приклучокот | 10. Основата                   |
| 11. Далечинска контрола    | 12. Прекинувач за напојување   |

## ВРВЕН ПАНЕЛ & ПРЕДЕН ПАНЕЛ & ОДНЕСУВАЕ НА ДЕЛОВНА КОНТРОЛА - Слика 3

- |   |  |
|---|--|
| A. Копче во мирување  | A1 Индикатор за функција на вентилаторот         |
| B. Копче со тајмер  | B1. Индикатор за тајмер                          |
| B2. Индикатор за одбројување на тајмер / температура / ладење |  |
| C. Копче за зголемување на тајмерот / температурата           | D. Копче за тајмер / намалување на температурата |
| E. Копче за регулација на нивото на греење                    | E1. Индикатор за ниско ниво на греење            |
| E2 Индикатор за високо ниво на греење                         | F. Копче за осцилација                           |
| G. Копче за функција на овлажните                             | G1. Индикатор за навлажнувач                     |
| H. Индикатор за температурна единица                          |  |

## КОРИСТЕЕ

1. Вклучување: Ставете го уредот на стабилен под и ставете го приклучокот во штекерот. Вклучете го прекинувачот за напојување (12) на задниот дел од производот. „Jас“ значи вклучен, „0“ значи исклучено. Во тоа време, уредот е во режим на подготвеност, на екранот се прикажува температурата на околината (B2) и индикаторот за температурна единица (H) ќе светне.

### 2. Вентилатор

Притиснете го копчето (A), индикаторот (A1) ќе светне и вентилаторот работи (проток на воздухот во собна температура).

### 3. Греење

Притиснете го копчето (E) еднаш за загревање на ниско ниво ~ 1500W, индикаторот се пали индикаторот (E1).

Притиснете го копчето (E) двапати за греење на високо ниво 2200W, дисплејот ќе ги осветли двата индикатори (E1 + E2).

Притиснете го копчето (E) повторно за да го откажете греењето.

Функција TIMER: Притиснете го копчето (B) повеќепати за да поставите период по кој уредот ќе се исклучи (помеѓу 1,0 час - 12,0 часа, во чекори од 60 минути). Во исто време индикатор за светло на индикаторот за тајмер (B1).

Функција ОСИЛАЦИЈА: Притиснете го копчето (F) за активирање на осцилацијата, уредот ќе се заниша надесно и лево за рамномерно да го дистрибуира издвнетиот воздух. Притиснете повторно копче (F) за да ја откажете функцијата на осцилација.

#### ПРИСТАПУВАЕ НА ТЕМПЕРАТУРА

Прилагодете ја собната температура со притискање на копчето (D) или (C). Стандардната температура за поставување е 25 °C. Температурен опсег од 10-35. Притиснете го копчето (D) за да ја зголемите посакуваната температура и притиснете го копчето (C) за да ја намалите посакуваната температура. Уредот е интелигентно програмиран, тој го избира работното ниво помеѓу ниска или висока топлина според посакуваната температура и сегашната температура на околината.

#### ФУНКЦИЈА ЗА НАСТАВУВАЕ

Отпрвин истурете го резервоарот за вода во вода (13) според упатствата опишани подолу. За да ја истурите водата во резервоарот за вода (13), прво исклучете го уредот од струја. Следно притиснете надолу и повлечете го надвор од испакнатиот дел на задниот капак (6) - погледнете на слика 4. Извадете го резервоарот за вода (13) од куќиштето, одвртете го штекерот на резервоарот за вода (13) спротивно од стрелките на часовникот, истурете чиста вода (не додадени есенцијални масла) и цврсто завртете го приклучокот. Ставете го резервоарот за вода (13) внатре во куќиштето. Поставете го капакот правилно на две места на заклучувања добро и турнете го да се затвори.

Функцијата за навлажнување може да се користи нормално. Приклучете го уредот.

Притиснете го копчето (G), производот ја вклучува функцијата за навлажнување, индикаторот за навлажнување (G1) свети.

Притиснете го копчето (G) повторно за да ја исклучите функцијата за навлажнување, во исто време индикаторот за навлажнување (G1) ќе биде исклучен. Функцијата за навлажнување може да се користи и одделно кога вентилаторот / функцијата за греење се исклучуваат, но напојувањето е вклучено.

За да ја исцедите водата, отворете го капакот за одвод (7) повлечете го приклучокот за одвод (9) и исцедете ја водата што ја потсетува во соодветниот резервоар.

Кога уредот не се користи подолго време, водата во резервоарот треба да се исцеди.

Применливи услови на животната средина за работа на уредот:

- функцијата за греење ја користи температурата во опсег од -20 ° C до 25 ° C.

- употреба на функција на овлажнител во температура во опсег од 5 ° C до 40 ° C и релативна влажност помала од 80%.

За да го исклучите уредот, повторно притиснете го копчето (A). Потоа, вентилаторот ќе го олади грејниот елемент во куќиштето за време на 30 секунди, а потоа вентилаторот автоматски ќе се исклучи. Ако уредот претходно не е вклучен на функцијата за греење, тој ќе оди директно во мирување.

Исклучено осветлување на предниот панел за приказ (2): Откако уредот работи 10 минути, тој автоматски ќе влезе во режимот на исклучено светло, притиснете кое било копче за да го осветли екранот.

Далечински управувач : Пред да го користите далечинскиот управувач (11), извадете го парчето пластична фолија од десната страна на далечинскиот управувач. Работата на далечинскиот управувач е иста како рачната работа на горниот панел (8).

## КАКО ДА СЕ МЕНУВАТЕ БАТЕРИЈАТА ЗА ДЕЛОШТА КОНТРОЛА:

1. Капакот на батеријата може да се отвори со паричка или слично.
2. Инсталирајте ја батеријата на копчето, обрнете внимание на поларитетот на батеријата ("+" со лицето нагоре и "-" со лицето надолу).
3. Покријте го капакот на батеријата.

## ЧИСТЕЕ И ОДРУВАЕ

1. Проверете дали уредот не е врел.
2. Пред да го исчистите уредот, извадете го приклучокот од електричниот приклучок.
3. Чувајте ги отворите на влезот и излезот на воздухот чисти. Не дозволувајте прашина да се собира на отворите.
4. Ичистете го куќиштето користејќи само сува или влажна крпа.
5. Не потопувајте го уредот во вода!

## ТЕХНИЧКИ ПОДАТОЦИ:

Моќност: 2200W

Напојување: 220-240V ~ 50Hz



Се грижime за природната средина. Картонските паковки молиме да се наменат за рециклирање. Полиетиленовите кеси (PE) да се фрлат во контејнер за пластика. Искористениот уред треба да се предаде во соодветниот складирачки пункт, бидејќи небезбедните состојки кои се наоѓаат во уредот можат да бидат загрозување за средината. Електричниот уред треба да се предаде на начин кој ќе оневозможи негова повторна употреба и искористување. Доколку во уредот има батерии, треба да се извадат и посебно да се предадат во складирачкиот пункт.

## NEDERLANDS

### ALGEMENE VEILIGHEIDSVORWAARDEN

### BELANGRIJKE VEILIGHEIDSinSTRUCTIES ZORGVULDIG LEZEN EN BEWAREN VOOR TOEKOMSTIGE REFERENTIE

1. Lees de bedieningsinstructies voordat u het apparaat gebruikt en volg de instructies die erin staan. De fabrikant is niet aansprakelijk voor enige schade veroorzaakt door gebruik van het apparaat in strijd met het beoogde gebruik of onjuist gebruik.
2. Het apparaat is alleen bedoeld voor thuisgebruik. Niet gebruiken voor andere doeleinden die niet in overeenstemming zijn met het beoogde gebruik.
3. Het apparaat moet worden aangesloten op 220-240V ~ 50 / 60Hz. Om de gebruiksveiligheid te vergroten, mogen veel elektrische apparaten niet tegelijkertijd op één elektrisch circuit worden aangesloten.
4. Wees vooral voorzichtig bij het gebruik van het apparaat als er kinderen in de buurt zijn. Laat kinderen niet met het apparaat spelen en laat kinderen of mensen die niet vertrouwd zijn met het apparaat het niet gebruiken.
5. **WAARSCHUWING:** Deze apparatuur mag worden gebruikt door kinderen ouder dan 8 jaar en mensen met verminderde fysieke, sensorische of mentale vermogens, of mensen zonder ervaring of kennis van de apparatuur, als dit wordt gedaan onder toezicht van een persoon die verantwoordelijk is voor hun veiligheid of instructies voor het veilig gebruik van het apparaat hebben gekregen en zich bewust zijn van de gevaren die aan het gebruik ervan zijn verbonden. Kinderen mogen niet met de apparatuur spelen. Reiniging en gebruikersonderhoud mogen niet door kinderen worden uitgevoerd, tenzij ze ouder zijn dan 8 jaar en deze activiteiten onder toezicht worden uitgevoerd.

6. Haal na gebruik altijd de stekker uit het stopcontact door het stopcontact met uw hand vast te houden. Trek NIET aan het snoer.
7. Dompel de kabel, stekker en het hele apparaat niet onder in water of een andere vloeistof. Stel het apparaat niet bloot aan weersomstandigheden (regen, zon, enz.) En gebruik het niet bij hoge luchtvochtigheid (badkamers, vochtige stacaravans).
8. Controleer regelmatig de staat van het netsnoer. Als het netsnoer is beschadigd, moet het worden vervangen door een gespecialiseerde reparatiewerkplaats om gevaar te voorkomen.
9. Gebruik het apparaat niet als het netsnoer is beschadigd of als het is gevallen of op enigerlei wijze is beschadigd of als het niet correct werkt. Repareer het apparaat niet zelf, dit kan elektrische schokken veroorzaken. Breng het beschadigde apparaat voor inspectie of reparatie naar een geschikt servicecentrum. Eventuele reparaties mogen alleen worden uitgevoerd door geautoriseerde servicepunten. Onjuist uitgevoerde reparaties kunnen een ernstig gevaar voor de gebruiker vormen.
10. Plaats het apparaat op een koel, stabiel en vlak oppervlak, uit de buurt van verwarmingstoestellen zoals: elektrisch fornuis, gasbrander, etc.
11. Gebruik het apparaat niet in de buurt van brandbare materialen.
12. Voor extra bescherming is het raadzaam om een aardlekschakelaar (RCD) in het elektrische circuit te installeren met een nominale aardlekstroom van maximaal 30 mA. Raadpleeg hiervoor een elektricien.
13. Als het apparaat in de badkamer wordt gebruikt, moet u na gebruik de stekker uit het stopcontact halen, aangezien de nabijheid van water gevaarlijk is, zelfs als het apparaat is uitgeschakeld.
14. Steek uw vingers of andere voorwerpen of metalen vreemde voorwerpen niet in het product, door het ventilatierooster en andere sleuven, anders kan dit elektrische schokken of defecten veroorzaken.
15. Plaats geen voorwerpen op het apparaat. Ventilatieopeningen mogen dat niet zijn afgedekt door een handdoek, gordijn, enz. Dit kan het apparaat beschadigen of brand veroorzaken.
16. Het apparaat wordt tijdens het gebruik warm, raak de hete delen van het apparaat niet aan. Raak het apparaat niet met natte handen aan.
17. Als de convector nat wordt of een object erdoorheen valt het ventilatierooster van de convector, schakel het onmiddellijk uit en trek de stekker uit het stopcontact. Voordat u opnieuw start bij gebruik van de convector, neem contact op met de dienst.
18. Plaats de machine niet direct onder een stopcontact.
19. Schakel het apparaat altijd uit met de knoppen voordat u de stekker uit het stopcontact haalt.
20. Gebruik dit apparaat niet als het is gevallen.
21. Niet gebruiken als er zichtbare tekenen van schade aan het apparaat zijn.

22. Gebruik de kachel op een vlakke en stabiele ondergrond of bevestig hem aan de muur, indien voorzien door de fabrikant.
23. Alle items moeten zich minimaal 1 meter van de voorkant en zijkanten van het apparaat bevinden.
24. Steek geen vreemde voorwerpen in de ventilatie- of uitlaatopeningen en zorg dat er geen vreemde voorwerpen in komen, aangezien dit kan leiden tot elektrische schokken, brand of schade aan het product.
25. Een veelvoorkomende oorzaak van oververhitting is stof of pluïsjes in het apparaat. Zorg ervoor dat deze afzettingen regelmatig worden verwijderd door de stekker uit het stopcontact te halen en de ventilatieopeningen en roosters, filters, indien beschikbaar, te stofzuigen.
26. Gebruik dit apparaat niet in een raam, aangezien regen een elektrische schok kan veroorzaken.
27. Sluit het apparaat niet aan op een stroombron voordat het op zijn definitieve plaats is geïnstalleerd en in de gebruikspositie is geplaatst.
28. Het wordt niet aanbevolen om bij dit apparaat een verlengsnoer te gebruiken.
29. Leg het snoer niet onder tapijten, vloerkleden, vloerkleden enz. Houd het snoer uit de buurt van plaatsen waar het erover kan struikelen.
30. Gebruik dit apparaat niet met een programmeur, timer of enig ander apparaat dat de verwarming automatisch inschakelt, aangezien er brandgevaar bestaat als het apparaat wordt afgedekt of onjuist wordt geplaatst.
31. Om het gevaar van onbedoeld resetten van de thermische beveiliging te voorkomen, mag dit apparaat niet worden gevoed door een extern schakelapparaat, zoals een klok, of worden aangesloten op een circuit dat regelmatig wordt in- en uitgeschakeld door het lichtnet.
32. Zorg ervoor dat het apparaat niet nat wordt. Als het apparaat in het water valt, trek dan onmiddellijk de stekker uit het stopcontact. Steek uw handen niet in het water wanneer het apparaat is aangesloten op het stopcontact. Voor hergebruik moet het worden gecontroleerd door een erkend servicecentrum.
33. Het apparaat moet worden uitgeschakeld wanneer u het neerlegt.
34. Schakel het apparaat nooit in als de tank niet met water is gevuld.
35. Gebruik alleen schoon, koud water.
36. Giet geen water in de tank boven het maximumniveau.
37. Dompel de basis van het apparaat niet onder.
38. Voeg geen chemicaliën toe aan de tank, de basis of de stoomuitlaat. Voeg geen aromatische oliën, zout, ontkalkingstabletten, poeders of reinigingsmiddelen aan het water toe.
39. De vuldop / het deksel van het waterreservoir moet altijd worden vastgeschroefd / gesloten.
40. Zorg ervoor dat de watermistuitlaat van de luchtbevochtiger niet rechtstreeks naar muren, meubels, stopcontacten, elektrische en elektronische apparaten en kinderen wijst. Een te hoge luchtvochtigheid in de ruimte kan leiden tot vochtophoping, waardoor bacteriën en schimmels kunnen groeien en muren, meubels en behang kunnen beschadigen.



41. Blokkeer de ventilatie van het apparaat niet. Bewaar een afstand van minimaal 100 cm tot het apparaat. Blokkeer de watermistafvoer niet met de luchtbevochtigerfunctie.
42. Gebruik het apparaat niet op plaatsen waar condensatie kan optreden. Er kan zich vocht vormen aan de binnen- en buitenkant van het apparaat als:
- het apparaat wordt van een koude naar een warme plaats verplaatst,
  - het verwarmingssysteem is zojuist ingeschakeld,
  - het apparaat wordt gebruikt in een ruimte met een hoge luchtvochtigheid,
  - het apparaat wordt gekoeld door het koelsysteem van de airconditioning.
- Als er vochtcondensatie optreedt in het apparaat, werkt het mogelijk niet goed of kan het in extreme gevallen beschadigd raken. Gebruik het apparaat in dat geval niet en laat het enkele uren drogen.
43. Kantel het apparaat niet, val niet en probeer niet bij te vullen of water uit het apparaat te gieten terwijl het in werking is.
44. Verwijder het reservoir niet van de basis van het apparaat terwijl de luchtbevochtigerfunctie in werking is.
45. Een gevulde watertank is zwaar. Bewaar het er ook onder als u het draagt.
46. Gebruik het apparaat niet als er een waterlek is.
47. Laat geen water in de tank als de machine niet in gebruik is.
48. Maak de luchtbevochtiger schoon na elke gebruikscyclus van het apparaat. Volg de reinigingsinstructies in deze handleiding.
49. Laat nooit bezinsel, vocht of water in de tank achter (dit kan de ultrasone verstuiver vervuilen of zelfs beschadigen).
50. Tijdens langdurig gebruik van het apparaat kan de waternevel van de luchtbevochtiger op de grond vallen en vocht veroorzaken.

**WAARSCHUWING:** Gebruik deze kachel niet in kleine ruimtes waar mensen zijn die ze niet alleen kunnen achterlaten, tenzij constant toezicht is gegarandeerd.

**WAARSCHUWING:** Om het risico op brand te verkleinen, houdt u textiel, gordijnen of andere brandbare materialen op minstens 1 m afstand van de luchtuitlaat van de verwarming.



"Let op heet oppervlak" - De temperatuur van de toegankelijke oppervlakken kan tijdens bedrijf hoger zijn, wat betekent dat de behuizingselementen tijdens bedrijf heet worden. LET OP !!!



**OPMERKING:** dek de kachel niet af om oververhitting te voorkomen. Bedek het apparaat niet met kleding, dekens of ander textiel dat ontbranding kan veroorzaken.



Gebruik het apparaat niet in de buurt van water, bijv. in een douche, bad of boven een wasbak met water.

## MONTAGE

De sokkel (10) montage: Lijn de vier bevestigingsschroefgaten van de sokkel (10) uit met de schroefposten van de sokkel (10) en schroef ze vast met vier zelftappende schroeven om het product in gebruik te nemen. Kijk naar figuur 2.

## PRODUCTBESCHRIJVING (Figuur 1)

- |                          |                          |
|--------------------------|--------------------------|
| 1. vochtige luchtuitlaat | 2. voorpaneel            |
| 3. luchtuitlaat          | 4. behuizing             |
| 5. luchtinlaat           | 6. achterkant            |
| 7. afvoer deksel         | 8. Top panelen           |
| 9. Aftapplug             | 10. de basis             |
| 11. afstandsbediening    | 12. Aan / uit-schakelaar |

## MARKERING BOVENPANEEL & VOORPANEEL & AFSTANDBEDIENING - Afbeelding 3

- |                                      |                                      |   |
|--------------------------------------|--------------------------------------|---|
| A. Standby-knop                      | A1. Indicator ventilatorfunctie      |   |
| B. Timer knop                        | B1. Timerindicator                   | B2. Timer / temperatuur / afkoelindicator |
| C. Timer / temperatuurverhogingsknop | D. Timer / temperatuurverlagingsknop |   |
| E. Regelknop verwarmingsniveau       | E1. Indicator laag verwarmingsniveau | E2. Indicator hoog verwarmingsniveau      |
| F. Oscillatieknop                    | G. Functieknop bevochtiger           | G1. Luchtbevochtiger indicator            |
| H. Indicator temperatuureenheid      |                                      |   |

## GEBRUIK

1. Inschakelen: plaats het apparaat op een stabiele vloer en steek de stekker in het stopcontact. Zet de aan / uit-schakelaar (12) aan de achterkant van het product aan. "I" betekent ingeschakeld, "0" betekent uit. Op dit moment staat het apparaat in de stand-bymodus, geeft het display de omgevingstemperatuur (B2) weer en gaat de temperatuureenheidindicator (H) branden.

### 2. Ventilator

Druk op de knop (A), de indicator (A1) gaat branden en de ventilator draait (laat de lucht op kamertemperatuur stromen).

### 3. Verwarming

Druk eenmaal op de knop (E) voor laagniveau verwarming ~ 1500W, de display licht indicator (E1) op.

Druk twee keer op de knop (E) voor verwarming op hoog niveau 2200W, het display zal beide indicatielampjes (E1 + E2) laten oplichten.

Druk nogmaals op de knop (E) om het verwarmen te annuleren.

**TIMER-functie:** Druk herhaaldelijk op de knop (B) om een periode in te stellen waarna het apparaat zichzelf uitschakelt (tussen 1,0 uur - 12,0 uur, in stappen van 60 minuten). Tegelijkertijd licht de timerindicator (B1) op.

**OSCILLATIE-functie:** Druk op knop (F) om de oscillatie te activeren, het apparaat zal naar rechts en naar links zwaaien om de afvoerlucht gelijkmatig te verdelen. Druk nogmaals op knop (F) om de oscillatiefunctie te annuleren.

## AANPASSING VAN DE TEMPERATUUR

Pas de kamertemperatuur aan door op knop (D) of (C) te drukken. De standaard ingestelde temperatuur is 25 °C. Temperatuurbereik van 10-35 °C. Druk op knop (D) om de gewenste temperatuur te verhogen en druk op knop (C) om de gewenste temperatuur te verlagen. Het apparaat is intelligent geprogrammeerd, het selecteert het werkniveau tussen laag of hoog vuur op basis van de gewenste temperatuur en de huidige omgevingstemperatuur.

## BEVOCHTIGINGSFUNCTIE

Giet eerst het water in de watertank (13) volgens de onderstaande instructies. Haal eerst de stekker uit het stopcontact om het water in de watertank (13) te gieten. Druk vervolgens het uitstekende deel op de achterklep (6) naar beneden en trek het naar buiten - zie figuur 4.

Haal het waterreservoir (13) uit de behuizing, draai de plug van het waterreservoir (13) linksom los, giet schoon water (nee essentiële oliën toegevoegd) en draai de plug stevig vast. Plaats het waterreservoir (13) in de behuizing. Plaats het deksel goed op twee vergrendelingsplaatsen en druk het dicht.

De bevochtigingsfunctie kan normaal worden gebruikt. Sluit het apparaat aan.

Druk op de knop (G), het product schakelt de bevochtigingsfunctie in, de bevochtigingsindicator (G1) gaat branden. Druk nogmaals op de knop (G) om de bevochtigingsfunctie uit te schakelen, terwijl de bevochtigingsindicator (G1) uit gaat. De bevochtigingsfunctie kan ook afzonderlijk worden gebruikt als de ventilator- / verwarmingsfunctie is uitgeschakeld maar de stroom is ingeschakeld.

Om het water af te voeren, opent u het afvoerdekseel (7) en trekt u aan de aftapplug (9) en laat u het herinneringswater in een geschikte tank lopen.

Als het apparaat lange tijd niet wordt gebruikt, moet het water in de tank worden afgetapt.

Toepasselijke omgevingsvoorwaarden voor de werking van het apparaat:

- gebruikstemperatuur verwarmingsfunctie in het bereik van  $-20^{\circ}\text{C}$  tot  $25^{\circ}\text{C}$ .
- gebruik van de bevochtigerfunctie in een temperatuurbereik van  $5^{\circ}\text{C}$  tot  $40^{\circ}\text{C}$  en de relatieve vochtigheid minder dan 80%.

Druk nogmaals op de knop (A) om het apparaat uit te schakelen. Vervolgens zal de ventilator het verwarmingselement in de behuizing gedurende 30 seconden afkoelen, waarna de ventilator automatisch wordt uitgeschakeld. Als het apparaat niet eerder op verwarmingsfunctie is ingesteld, gaat het direct naar stand-by.

Verlichting uit van het frontdisplay (2): Nadat het apparaat 10 minuten heeft gewerkt, gaat het automatisch naar de modus Licht uit scherm. Druk op een willekeurige toets om het scherm te verlichten.

Afstandsbediening: Voordat u de afstandsbediening (11) gebruikt, moet u het stuk plastic folie aan de rechterkant van de afstandsbediening verwijderen. De afstandsbediening is hetzelfde als de handbediening van het bovenpaneel (8).

#### DE BATTERIJ VAN DE AFSTANDSBEDIENING VERVANGEN:

1. Het batterijklepje kan worden geopend met een muntstuk of iets dergelijks.
2. Installeer de knoopbatterij, let op de polariteit van de batterijen ("+" naar boven en "-" naar beneden).
3. Dek het batterijdekseel af.

#### REINIGING EN ONDERHOUD

1. Zorg ervoor dat het apparaat niet heet is.
2. Voordat u het apparaat reinigt, dient u de stekker uit het stopcontact te halen.
3. Houd de luchtinlaat- en uitlaatopeningen schoon. Zorg ervoor dat er zich geen stof op de openingen verzamelt.
4. Reinig de behuizing alleen met een droge of vochtige doek.
5. Dompel het apparaat niet onder in water!

#### TECHNISCHE DATA:

Vermogen: 2200W

Stroomvoorziening: 220-240V ~ 50Hz



We geven om het milieu. We vragen u om de kartonnen verpakkingen te storten bij het oud papier. Polyethyleen zakken (PE) storten in de container voor plastic. Versleten apparatuur afgeven bij het juiste verzamelpunt, als in het apparaat gevaarlijke elementen zitten kan dat een bedreiging zijn voor het milieu. Elektrisch apparaat moet worden geretourneerd om het hergebruik te verminderen. Als in het apparaat batterijen zitten, horen die verwijderd te worden en apart af te worden gegeven bij het juiste verzamelpunt.

ОБЩИЕ УСЛОВИЯ БЕЗОПАСНОСТИ  
ВАЖНЫЕ ИНСТРУКЦИИ ПО БЕЗОПАСНОСТИ, ПОЖАЛУЙСТА, ПРОЧИТАЙТЕ  
ВНИМАТЕЛЬНО И СОХРАНИТЕ ДЛЯ ИСПОЛЬЗОВАНИЯ В БУДУЩЕМ

1. Перед использованием устройства прочтите инструкцию по эксплуатации и следуйте содержащимся в ней инструкциям. Производитель не несет ответственности за любой ущерб, вызванный использованием устройства не по назначению или неправильной эксплуатацией.
2. Прибор предназначен только для домашнего использования. Не используйте для других целей не по назначению.
3. Устройство должно быть подключено к сети 220-240 В ~ 50/60 Гц. Чтобы повысить безопасность использования, нельзя одновременно подключать многие электрические устройства к одной электрической цепи.
4. Будьте особенно осторожны при использовании устройства, когда поблизости находятся дети. Не позволяйте детям играть с устройством и не позволяйте детям или людям, не знакомым с устройством, использовать его.
5. ПРЕДУПРЕЖДЕНИЕ: это оборудование могут использовать дети старше 8 лет и люди с ограниченными физическими, сенсорными или умственными способностями, а также люди, не имеющие опыта или знаний с оборудованием, если это делается под наблюдением лица, ответственного за им были предоставлены инструкции по безопасному использованию устройства и осведомлены об опасностях, связанных с его использованием. Дети не должны играть с оборудованием. Дети не должны выполнять чистку и техническое обслуживание, если им не исполнилось 8 лет и эти действия не выполняются под присмотром взрослых.
6. Всегда после использования вынимайте вилку из розетки, придерживая ее рукой. НЕ тяните за шнур.
7. Не погружайте кабель, вилку и все устройство в воду или любую другую жидкость. Не подвергайте устройство воздействию погодных условий (дождь, солнце и т. Д.) И не используйте его в условиях высокой влажности (ванные комнаты, влажные мобильные дома).
8. Периодически проверяйте состояние шнура питания. Если шнур питания поврежден, его следует заменить в специализированной ремонтной мастерской, чтобы избежать опасности.
9. Не используйте прибор, если шнур питания поврежден, если его уронили или повредили каким-либо образом, или если он не работает должным образом. Не ремонтируйте устройство самостоятельно, это может привести к поражению электрическим током. Отнесите поврежденное устройство в соответствующий сервисный центр для осмотра или ремонта. Ремонт может выполняться только в авторизованных сервисных центрах. Неправильно выполненный ремонт может представлять серьезную угрозу для пользователя.
10. Поместите устройство на прохладную, устойчивую и ровную поверхность вдали от

- нагревательных приборов, таких как электрическая плита, газовая горелка и т. Д.
11. Не используйте устройство рядом с легковоспламеняющимися материалами.
  12. Для дополнительной защиты рекомендуется установить в электрической цепи устройство защитного отключения (УЗО) с номинальным остаточным током не более 30 мА. По этому поводу обратитесь к специалисту-электрику.
  13. При использовании устройства в ванной вынимайте вилку из розетки после использования, так как близость воды представляет опасность, даже когда устройство выключено.
  14. Не вставляйте пальцы, какие-либо предметы или металлические посторонние предметы внутрь продукта, через вентиляционную решетку и другие щели, в противном случае это может вызвать поражение электрическим током или неисправность.
  15. Не кладите никакие предметы на устройство. Вентиляционные отверстия не должны быть накрыты полотенцем, занавеской и т. д. Это может привести к повреждению устройства или возгоранию.
  16. Устройство нагревается во время работы, не прикасайтесь к горячим частям устройства. Не прикасайтесь к устройству мокрыми руками.
  17. Если конвектор намокнет или какой-либо предмет проваливается вентиляционную решетку конвектора, немедленно выключите ее и отключите от электросети. Перед перезапуском используя конвектор, обратитесь в сервисную службу.
  18. Не ставьте машину прямо под электрическую розетку.
  19. Всегда выключайте устройство с помощью кнопок перед отключением от сети.
  20. Не используйте это устройство, если оно упало.
  21. Не используйте, если есть видимые признаки повреждения устройства.
  22. Используйте обогреватель на ровной и устойчивой поверхности или прикрепите его к стене, если это предусмотрено производителем.
  23. Все предметы должны находиться на расстоянии не менее 1 метра от передней и боковых сторон устройства.
  24. Не вставляйте и не допускайте попадания посторонних предметов в вентиляционные или вытяжные отверстия, так как это может привести к поражению электрическим током, возгоранию или повреждению продукта.
  25. Частая причина перегрева - пыль или ворс внутри устройства. Регулярно удаляйте эти отложения, отсоединяя прибор от сети и очищая вентиляционные отверстия, решетки и фильтры, если таковые имеются.
  26. Не используйте это устройство в окне, так как дождь может вызвать поражение электрическим током.
  27. Не подключайте прибор к источнику питания до тех пор, пока он не будет установлен в окончательное положение и не переведен в положение для использования.

28. Не рекомендуется использовать с этим устройством удлинитель.
29. Не кладите шнур под ковры, коврики и т. Д. Держите шнур подальше от мест, где он может зацепиться за него.
30. Не используйте это устройство с программатором, таймером или любым другим устройством, которое автоматически включает обогреватель, поскольку существует риск возгорания, если устройство накрыто или установлено неправильно.
31. Во избежание опасности непреднамеренного сброса термовыключателя, это устройство не должно получать питание от внешнего переключающего устройства, такого как часы, или подключаться к цепи, которая регулярно включается и выключается от сети.
32. Не допускайте намокания устройства. Если устройство упало в воду, немедленно выньте вилку из розетки. Не опускайте руки в воду, когда устройство подключено к сети. Перед повторным использованием его необходимо проверить в авторизованном сервисном центре.
33. Устройство должно быть выключено всякий раз, когда вы его кладете.
34. Никогда не включайте устройство, если бак не заполнен водой.
35. Используйте только чистую прохладную воду.
36. Не наливайте воду в бак выше максимального уровня.
37. Не погружайте основание устройства в воду.
38. Не добавляйте никаких химикатов в бак, основание или выпускное отверстие для пара. Не добавляйте в воду ароматические масла, соль, таблетки для удаления накипи, порошки или чистящие средства.
39. Крышка наливной горловины / бака для воды всегда должна быть завинчена / закрыта.
40. Следите за тем, чтобы выход водяного тумана увлажнителя не был направлен прямо на стены, мебель, электрические розетки, электрические и электронные устройства и детей. Слишком высокая влажность в комнате может привести к накоплению влаги, вызывая рост бактерий и грибов, а также повреждение стен, мебели и обоев.
41. Не перекрывайте вентиляцию устройства. Держитесь на расстоянии не менее 100 см от устройства. Не закрывайте выход водяного тумана с помощью функции увлажнения.
42. Не используйте устройство там, где существует опасность образования конденсата. Внутри и снаружи прибора может образовываться влага в следующих случаях:
  - прибор переносят из холодного в теплое место,
  - отопление только что было включено,
  - устройство используется в помещении с повышенной влажностью,
  - устройство охлаждается системой охлаждения кондиционера.Когда в устройстве происходит конденсация влаги, оно может работать неправильно или, в крайнем случае, может быть повреждено. В этом случае не используйте

устройство и дайте ему высохнуть на несколько часов.

43. Не наклоняйте, не падайте и не пытайтесь долить или слить воду из устройства, пока оно работает.

44. Не снимайте резервуар с основания устройства во время работы увлажнителя.

45. Наполненный резервуар для воды тяжелый. При переноске также держите его внизу.

46. Не используйте устройство, если есть утечка воды.

47. Не оставляйте воду в баке, когда машина не используется.

48. Очищайте увлажнитель после каждого цикла использования устройства. Следуйте инструкциям по очистке, приведенным в данном руководстве.

49. Никогда не позволяйте осадку, влаге или воде оставаться в баке (это может вызвать загрязнение или даже повредить ультразвуковой распылитель).

50. При длительной эксплуатации устройства водяной туман, выделяемый увлажнителем, может упасть на пол и вызвать влагу.

**ВНИМАНИЕ:** Не используйте этот обогреватель в небольших помещениях, где есть люди, которые не могут оставить их самостоятельно, если не обеспечивается постоянный присмотр.

**ВНИМАНИЕ:** Чтобы снизить риск возгорания, храните ткани, занавески и другие легковоспламеняющиеся материалы на расстоянии не менее 1 м от воздуховыпускного отверстия обогревателя.



«Осторожно, горячая поверхность» - температура доступных поверхностей может быть выше во время работы, что означает, что элементы корпуса нагреваются во время работы. **ОСТОРОЖНОСТЬ !!!**



**ПРИМЕЧАНИЕ:** Во избежание перегрева - не накрывайте обогреватель. Не накрывайте устройство одеждой, одеялами или другими тканями, которые могут вызвать возгорание.



Не используйте устройство около воды, например в душе, ванне или над умывальником с водой.

## МОНТАЖ

Монтаж основания (10): совместите четыре отверстия для крепежных винтов основания (10) с винтами на основании (10) и прикрутите четырьмя саморезами, чтобы ввести изделие в действие. Посмотрите на рисунок 2.

## ОПИСАНИЕ ИЗДЕЛИЯ (Рисунок 1)

- |                               |                            |
|-------------------------------|----------------------------|
| 1. выход увлажненного воздуха | 2. передняя панель дисплея |
| 3. выход воздуха              | 4. жилье                   |
| 5. воздухозаборник            | 6. задняя крышка           |
| 7. крышка слива               | 8. верхние панели          |
| 9. Сливная пробка.            | 10. база                   |
| 11. дистанционное управление  | 12. Выключатель питания.   |

A. Кнопка режима ожидания	A1. Индикатор работы вентилятора
B. Кнопка таймера	B1. Таймерный индикатор
B2. Индикатор таймера / температуры / обратного отсчета времени охлаждения	
C. Кнопка таймера / увеличения температуры	D. Таймер / кнопка уменьшения температуры
E. Кнопка регулировки уровня нагрева	E1. Индикатор низкого уровня нагрева
E2. Индикатор высокого уровня нагрева	F. Кнопка колебания
G. Кнопка функции увлажнителя	G1. Индикатор увлажнителя
H. Индикатор единицы температуры	

## ИСПОЛЬЗОВАНИЕ

1. Включение: поместите устройство на устойчивый пол и вставьте вилку в розетку. Включите выключатель питания (12) на задней панели устройства. «I» означает включен, «0» - выключен. В это время устройство находится в режиме ожидания, на дисплее отображается температура окружающей среды (B2), а индикатор единицы температуры (H) горит.

### 2. Вентилятор

Нажмите кнопку (A), загорится индикатор (A1) и вентилятор будет работать (подайте воздух комнатной температуры).

### 3. Отопление

Нажмите кнопку (E) один раз для низкого нагрева ~ 1500 Вт, на дисплее загорится индикатор (E1).

Дважды нажмите кнопку (E) для высокого уровня нагрева 2200 Вт, на дисплее загорятся оба индикатора (E1 + E2).

Нажмите кнопку (E) еще раз, чтобы отменить нагрев.

Функция ТАЙМЕР: нажмите кнопку (B) несколько раз, чтобы установить период, по истечении которого устройство автоматически выключится (от 1,0 часа до 12,0 часов, с шагом 60 минут). При этом загорается индикатор таймера (B1).

Функция КОЛЕБАНИЯ: нажмите кнопку (F), чтобы активировать колебание, устройство будет качаться вправо и влево для равномерного распределения обработанного воздуха. Нажмите еще раз кнопку (F), чтобы отменить функцию колебаний.

## РЕГУЛИРОВКА ТЕМПЕРАТУРЫ

Отрегулируйте температуру в помещении, нажав кнопку (D) или (C). По умолчанию заданная температура составляет 25 °C.

Диапазон температур от 10 до 35 °C. Нажмите кнопку (D), чтобы увеличить желаемую температуру, и нажмите кнопку (C), чтобы уменьшить желаемую температуру. Устройство интеллектуально запрограммировано, оно выбирает рабочий уровень между низким или высоким нагревом в соответствии с желаемой температурой и текущей температурой окружающей среды.

## ФУНКЦИЯ УВЛАЖНЕНИЯ

Сначала вылейте воду в резервуар для воды (13) в соответствии с инструкциями, приведенными ниже. Чтобы налить воду в резервуар для воды (13), сначала отключите устройство от сети. Затем нажмите и потяните наружу выступающую часть на задней крышке (6) - см. Рисунок 4. Выньте резервуар для воды (13) из корпуса, отверните пробку резервуара для воды (13) против часовой стрелки, залейте чистую воду (нет. добавлены эфирные масла) и плотно закрутите пробку. Поместите резервуар для воды (13) внутрь корпуса. Правильно установите крышку на два места с защелками и нажмите, чтобы закрыть.

Функцию увлажнения можно использовать в обычном режиме. Подключите устройство.

Нажмите кнопку (G), изделие включит функцию увлажнения, загорится индикатор увлажнения (G1). Нажмите кнопку (G) еще раз, чтобы выключить функцию увлажнения, при этом индикатор увлажнения (G1) погаснет. Функцию увлажнения также можно



использовать отдельно, когда функция вентилятора / обогрева выключена, но питание включено.

Чтобы слить воду, откройте сливную крышку (7), потяните за сливную пробку (9) и слейте накопившуюся воду в подходящий резервуар.

Если прибор не используется долгое время, воду в баке следует слить.

Применимые условия окружающей среды для работы устройства:

- функция нагрева использует температуру в диапазоне от  $-20^{\circ}\text{C}$  до  $25^{\circ}\text{C}$ .
- использование функции увлажнителя при температуре от  $5^{\circ}\text{C}$  до  $40^{\circ}\text{C}$  и относительной влажности менее 80%.

Чтобы выключить устройство, нажмите кнопку (A) еще раз. Затем вентилятор охладит ТЭН внутри корпуса в течение 30 секунд, после чего вентилятор автоматически выключится. Если устройство не было настроено на обогрев раньше, оно сразу перейдет в режим ожидания.

Выключение передней панели дисплея (2): после того, как устройство проработает 10 минут, оно автоматически перейдет в режим отключения подсветки экрана. Нажмите любую клавишу, чтобы экран загорелся.

Пульт дистанционного управления : Перед использованием пульта дистанционного управления (11) снимите пластиковую пленку с правой стороны пульта дистанционного управления. Дистанционное управление аналогично ручному управлению верхней панелью (8).

#### КАК ЗАМЕНИТЬ БАТАРЕЮ ПУЛЬТА ДИСТАНЦИОННОГО УПРАВЛЕНИЯ:

1. Крышку батарейного отсека можно открыть монетой или подобным предметом.
2. Установите батарейку-кнопку, обратите внимание на полярность батареи («+» лицевой стороной вверх и «-» вниз).
3. Закройте крышку аккумуляторного отсека.

#### ЧИСТКА И ТЕХНИЧЕСКОЕ ОБСЛУЖИВАНИЕ


1. Убедитесь, что устройство не горячее.
2. Перед очисткой устройства выньте вилку из розетки.
3. Следите за чистотой отверстий для впуска и выпуска воздуха. Не допускайте скопления пыли на отверстиях.
4. Очищайте корпус только сухой или влажной тканью.
5. Не погружайте прибор в воду!

#### ТЕХНИЧЕСКИЕ ДАННЫЕ:

Мощность: 2200 Вт

Электропитание: 220-240 В ~ 50 Гц



 Заботясь об окружающей среде.. Упаковку из картона передайте, пожалуйста, на макулатуру. Полиэтиленовые мешки (PE) выкидать в резервуар для пластмассы. Изношенное устройство надо передать в соответствующую точку хранения, так как находящиеся в устройстве опасные составляющие могут являться угрозой для окружающей среды. Электрическое устройство надо передать таким образом, чтобы ограничить его повторное употребление и использование. Если в устройстве находятся батареи, их надо вынуть и передать в точку хранения отдельно. Устройство не выкидать в резервуар для коммунальных отходов!

ALLMÄNNA SÄKERHETSIVLLKOR  
VIKTIGA SÄKERHETSINSTRUKTIONER LÄS VÄNLIGT OCH HÅLL FÖR  
FRAMTIDSREFERENS

1. Innan du använder enheten, läs bruksanvisningen och följ instruktionerna i den. Tillverkaren ansvarar inte för skador som orsakats av att enheten används i strid med dess avsedda användning eller felaktiga användning.
2. apparaten är endast avsedd för hemmabruk. Använd inte för andra ändamål som inte överensstämmer med dess avsedda användning.
3. enheten ska anslutas till 220-240V ~ 50 / 60Hz. För att öka säkerheten vid användning bör många elektriska apparater inte anslutas till en elektrisk krets samtidigt.
4. Var särskilt försiktig när du använder enheten när barn är i närheten. Låt inte barn leka med enheten och låt inte barn eller personer som inte känner till enheten använda den.
5. VARNING: Denna utrustning kan användas av barn över 8 år och personer med nedsatt fysisk, sensorisk eller mental förmåga eller personer utan erfarenhet eller kunskap om utrustningen, om detta görs under överinseende av en person som är ansvarig för deras säkerhet eller har fått instruktioner om säker användning av enheten och är medvetna om farorna med användningen. Barn ska inte leka med utrustningen. Rengöring och användarunderhåll bör inte utföras av barn om de inte är över 8 år och dessa aktiviteter utförs under överinseende.
6. Ta alltid ut kontakten ur uttaget efter användning genom att hålla uttaget med handen. Dra INTE i sladden.
7. Sänk inte ned kabeln, kontakten och hela enheten i vatten eller någon annan vätska. Utsätt inte enheten för väderförhållanden (regn, sol osv.) Och använd den inte under hög luftfuktighet (badrum, fuktiga husbilar).
8. Kontrollera regelbundet nätsladden. Om nätsladden är skadad, bör den bytas ut av en specialistverkstad för att undvika fara.
9. Använd inte apparaten om nätsladden är skadad eller om den har tappats eller skadats på något sätt eller om den inte fungerar som den ska. Reparera inte enheten själv eftersom den kan orsaka elektrisk stöt. Ta den skadade enheten till ett lämpligt servicecenter för inspektion eller reparation. Reparationer får endast utföras av auktoriserade servicepunkter. Felaktigt utförda reparationer kan utgöra ett allvarligt hot för användaren.
10. Placera enheten på en sval, stabil, jämn yta, borta från värmeapparater som: elspis, gasbrännare etc.
11. Använd inte enheten nära lättantändliga material.
12. För ytterligare skydd rekommenderas det att installera en jordfelsbrytare (RCD) i den elektriska kretsen med en märkström som inte överstiger 30 mA. I detta avseende, kontakta en specialistelektriker.
13. När apparaten används i badrummet, ta ut kontakten ur uttaget efter användning, eftersom närheten till vatten är en fara även när enheten är avstängd.
14. Lägg inte fingrarna eller föremål eller främmande metallföremål inuti produkten, genom

ventilationsgallret och andra slitsar, annars kan det orsaka elektrisk stöt eller fel.

15. Lägg inga föremål ovanpå enheten. Ventilationsöppningar får inte vara täckt av en handduk, gardin etc. Det kan skada enheten eller orsaka brand.

16. Enheten värms upp under drift, rör inte vid heta delar av enheten. Rör inte enheten med våta händer.

17. Om konvektorn blir våt eller något föremål faller igenom stäng av den omedelbart och koppla bort den från elnätet. Innan du startar om kontakta tjänsten med hjälp av konvektorn.

18. Placera inte maskinen direkt under ett eluttag.

19. Stäng alltid av enheten med knapparna innan du kopplar bort den från elnätet.

20. Använd inte den här enheten om den har tappats.

21. Använd inte om det finns synliga tecken på skada på enheten.

22. Använd värmaren på en jämn och stabil yta eller fäst den på väggen, om det föreskrivs av tillverkaren.

23. Alla föremål ska vara minst 1 meter från enhetens framsida och sidor.

24. Sätt inte in eller låt främmande föremål tränga in i ventilationen eller avgasventilerna, eftersom det kan leda till elektrisk stöt, brand eller skada på produkten.

25. En vanlig orsak till överhettning är damm eller ludd inuti enheten. Se till att dessa avlagringar avlägsnas regelbundet genom att koppla ur enheten och dammsuga ventiler och galler, filter, om det finns.

26. Använd inte denna enhet i ett fönster eftersom regn kan orsaka elektrisk stöt.

27. Anslut inte apparaten till en strömkälla förrän den har installerats i sitt slutliga läge och placerats i läget för användning.

28. Det rekommenderas inte att använda en förlängningssladd med den här enheten.

29. Placera inte sladden under mattor, mattor, mattor etc. Håll ledningen borta från platser där den kan snubbla över den.

30. Använd inte den här enheten med en programmerare, timer eller någon annan enhet som slår på värmaren automatiskt eftersom det finns risk för brand om enheten täcks eller placeras felaktigt.

31. För att undvika risken för att oavsiktligt återställa den termiska urkopplingen, får denna apparat inte strömförsörjas av en extern kopplingsenhet, t.ex. en klocka, eller anslutas till en krets som slås på och av regelbundet av elnätet.

32. Får inte enheten blöt. Om enheten faller i vatten ska du omedelbart koppla bort kontakten från uttaget. Lägg inte händerna i vattnet när enheten är inkopplad. Innan den återanvänds måste den kontrolleras av ett auktoriserat servicecenter.

33. Enheten ska stängas av när du lägger ner den.

34. Slå aldrig på enheten när tanken inte är fylld med vatten.

35. Använd endast rent, kallt vatten.

36. Håll inte vatten i tanken över maxnivån.

37. Sänk inte ner basen på enheten.

38. Tillsätt inga kemikalier i tanken, basen eller ångutloppet. Tillsätt inte aromatiska oljor,

salt, avkalkningstabletter, pulver eller rengöringsmedel i vattnet.

39. Påfyllningslocket / vattentankens lock ska alltid skruvas på / stängas hela tiden.

40. Se till att luftfuktarens utlopp för vattendimma inte pekar direkt mot väggar, möbler, eluttag, elektriska och elektroniska apparater och barn. För mycket luftfuktighet i rummet kan leda till att fukt bildas, vilket orsakar tillväxt av bakterier och svampar och skadar väggar, möbler och tapeter.

41. Blockera inte apparaten. Håll ett avstånd på minst 100 cm från enheten. Blockera inte vattendimman med luftfuktaren.

42. Använd inte enheten där det finns risk för kondens. Fukt kan bildas på insidan och utsidan av apparaten när:

- enheten flyttas från en kall till en varm plats,
- värmesystemet har just slås på,
- enheten används i ett rum med hög luftfuktighet,
- enheten kyls av luftkonditioneringssystemets kylsystem.

När kondens förekommer i enheten kanske den inte fungerar ordentligt eller i extrema fall kan den skadas. Använd i så fall inte enheten och låt den torka i flera timmar.

43. Luta inte, vält eller försök att fylla på eller håll vatten från enheten medan den fungerar.

44. Ta inte bort behållaren från enhetens botten medan luftfuktaren fungerar.

45. En full vattentank är tung. När du bär den, håll den också under.

46. Använd inte enheten om det finns vattenläckage.

47. Lämna inte vatten i tanken när maskinen inte används.

48. Rengör luftfuktaren efter varje enhetscykel. Följ rengöringsanvisningarna i denna handbok.

49. Låt aldrig sediment, fukt eller vatten finnas kvar i tanken (detta kan orsaka kontaminering eller till och med skada ultraljudsförstärkaren).

50. Vid långvarig användning av enheten kan vattendimma som avges av luftfuktaren falla på golvet och orsaka fukt.

**WARNING:** Använd inte denna värmare i små rum där det finns personer som inte kan lämna dem ensamma, såvida inte konstant tillsyn säkerställs.

**WARNING:** För att minska risken för brand, håll textilier, gardiner eller andra brandfarliga material minst 1 m bort från luftens utlopp.



"Varning het yta" - Temperaturen på de åtkomliga ytorna kan vara högre under drift, vilket innebär att huselementen blir heta under drift under drift. **WARNING !!!**



**OBS:** För att undvika överhettning - täck inte över värmaren. Täck inte över enheten med kläder, filter eller andra textilier som kan orsaka antändning.



Använd inte enheten nära vatten, t.ex. i en dusch, ett badkar eller över ett handfat med vatten.

## MONTAGE

Montering av bas (10): Rikta in de fyra fästskruvhålen på basen (10) mot basen (10) och skruva med fyra självgående skruvar för att använda produkten. Titta på figur 2.

## PRODUKTBESKRIVNING (Figur 1)

- |                      |                       |
|----------------------|-----------------------|
| 1. fuktat luftutlopp | 2. Front displaypanel |
| 3. luftuttag         | 4. bostäder           |
| 5. luftintag         | 6. Baksida            |
| 7. Tappa av locket   | 8. Topppaneler        |
| 9. Avtappingsplugg   | 10. basen             |
| 11. fjärrkontroll    | 12. Strömbrytare      |

## MÄRKNING ÖVERPANEL & FRAMPANEL & FJÄRRKONTROLL - Figur 3

- |  |                                   |   |
|--|-----------------------------------|---|
| A. Standby-knapp                           | A1. Fläktfunktionsindikator       |   |
| B. Timerknapp                              | B1. Timerindikator                | B2. Timer / temperatur / nedkylningsindikator |
| C. Knapp för timer / temperaturökning      |                                   | D. Knapp för timer / temperaturminskning      |
| E. Knapp för reglering av uppvärmningsnivå | E1. Indikator för låg värmenivå   | E2. Indikator för hög värmenivå               |
| F. Oscillationsknapp                       | G. Funktionsknapp för luftfuktare | G1. Luftfuktareindikator                      |
| H. Indikator för temperaturenhet           |                                   |   |

## ANVÄNDANDE

1. Slå på: Placera enheten på ett stabilt golv och sätt in kontakten i uttaget. Slå på strömbrytaren (12) på produktens baksida. "I" betyder påslagen, "0" betyder av. Vid denna tidpunkt är enheten i standby-läge, displayen visar omgivningstemperatur (B2) och temperaturenhetensindikatorn (H) tänds.

### 2. Fläkt

Tryck på knappen (A), indikatorn (A1) tänds och fläkten fungerar (flödar luften i rumstemperatur).

### 3. Uppvärmning

Tryck en gång på knappen (E) för låg uppvärmning ~ 1500W, indikatorn tänds (E1).

Tryck två gånger på knappen (E) för höguppvärmning 2200W, displayen tänds båda indikatorerna (E1 + E2).

Tryck på knappen (E) igen för att avbryta uppvärmningen.

TIMER-funktion: Tryck upprepade gånger på knappen (B) för att ställa in en period efter vilken enheten kommer att stängas av (mellan 1,0 och 12,0 timmar, i steg om 60 minuter). Samtidigt lyser timerindikatorn (B1).

OSCILLATION-funktion: Tryck på knappen (F) för att aktivera svängning, enheten svänger åt höger och vänster för att fördela frånluften jämnt. Tryck på knappen igen (F) för att avbryta svängningsfunktionen.

## TEMPERATURJUSTERING

Justera rumstemperaturen genom att trycka på knappen (D) eller (C). Standardinställningstemperaturen är 25 °C. Temperaturintervall från 10-35 °C. Tryck på knappen (D) för att öka önskad temperatur och tryck på knappen (C) för att sänka önskad temperatur. Enheten är intelligent programmerad, den väljer arbetsnivån mellan låg eller hög värme enligt önskad temperatur och aktuell omgivningstemperatur.

## FUKTNINGSFUNKTION

Håll först vattnet i vattentanken (13) enligt anvisningarna nedan. För att hålla vattnet i vattentanken (13), koppla ur enheten först. Tryck sedan ner och dra ut den utskjutande delen på bakstycket (6) - se figur 4. Ta ut vattentanken (13) från huset, skruva ur pluggen på vattentanken (13) moturs, håll rent vatten (ingen eteriska oljor tillsatta) och skruva fast pluggen ordentligt. Sätt in vattentanken (13) inuti huset. Sätt locket ordentligt på två spärrplatser väl och tryck det för att stängas.

Befuktningfunktionen kan användas normalt. Anslut enheten.

Tryck på knappen (G), produkten slår på befuktningfunktionen, luftfuktningssindikatorn (G1) tänds. Tryck på knappen (G) igen för att stänga av befuktningfunktionen, samtidigt som befuktningssindikatorn (G1) släcks. Befuktningfunktionen kan också användas separat när fläkt- / värmefunktionen är avstängd men strömmen är på.

För att tömma ut vattnet öppnar du avtappningsskyddet (7) genom att dra i avtappningspluggen (9) och tappa påminnande vattnet till lämplig tank.

När apparaten inte har använts på länge ska vattnet i tanken tömmas.

Tillämpliga miljöförhållanden för enhetsdriften:

- användningstemperatur för uppvärmningsfunktion i området från -20 ° C till 25 ° C.
- luftfuktarens användning i temperatur inom området 5 ° C till 40 ° C och den relativa luftfuktigheten mindre än 80%.

För att stänga av enheten, tryck på knappen (A) igen. Därefter svalnar fläkten värmeelementet inuti huset under 30 sekunder, därefter stängs fläkten automatiskt av. Om enheten inte har ställts in på värmefunktionen förut går den direkt i beredskapsläge.

Belysning av frontdisplaypanelen (2): När enheten har arbetat i 10 minuter kommer den automatiskt att gå in i läget för avstängning av skärmen, tryck på valfri knapp för att tända skärmen.

Fjärrkontroll : Ta bort plastfoliestycket på höger sida av fjärrkontrollen innan du använder fjärrkontrollen (11). Fjärrkontrollen är densamma som manövrering av toppanelen (8).

## FÖRÄNDRING AV FJÄRRKONTROLLENS BATTERI:

1. Batteriluckan kan öppnas med ett mynt eller liknande.
2. Installera knappbatteriet, var uppmärksam på batteriets polaritet ("+" med framsidan uppåt och "-" med framsidan nedåt).
3. Täck över batteriluckan.

## STÄDNING OCH UNDERHÅLL

1. Se till att enheten inte är varm.
2. Ta ur kontakten ur eluttaget innan du rengör apparaten.
3. Håll luftinlopps- och utloppsöppningarna rena. Låt inte damm samlas på öppningarna.
4. Rengör huset med endast en torr eller fuktig trasa.
5. Sänk inte ner enheten i vatten!

## TEKNISK DATA:

Effekt: 2200W

Strömförsörjning: 220-240V ~ 50Hz



Vi sköter om miljön. Överlämna förpackningar i kartong till pappersavfall. Polyetylsäcken (PE) slängs i avfallsbehållare för plast. Man bör lämna en gammal apparat till en riktig återvinningscentral, eftersom farliga komponenter i apparaten kan orsaka fara till miljön. En elektrisk apparat bör lämnas för att minska förnyad användning av denna. Om apparaten innehåller batterier, bör man ta bort dem och lämna dem separat till återvinningscentraler.

## VŠEOBECNÉ BEZPEČNOSTNÉ PODMIENKY

DÔLEŽITÉ BEZPEČNOSTNÉ POKYNY BEZPEČNE SI PREČÍTAJTE A UCHOVÁVAJTE  
PRE BUDÚCE REFERENCIE

1. Pred použitím zariadenia si prečítajte návod na obsluhu a postupujte podľa pokynov v ňom uvedených. Výrobca nezodpovedá za žiadne škody spôsobené použitím prístroja v rozpore s jeho určením alebo nesprávnou obsluhou.
2. Spotrebič je určený iba na domáce použitie. Nepoužívajte na iné účely, ktoré nie sú v súlade s jeho určením.
3. Zariadenie by malo byť pripojené k napätiu 220 - 240 V ~ 50/60 Hz. Z dôvodu zvýšenia bezpečnosti používania by nemalo byť veľa elektrických zariadení pripojených k jednému elektrickému obvodu súčasne.
4. Buďte obzvlášť opatrní pri používaní prístroja, keď sú v blízkosti deti. Nedovoľte deťom, aby sa so zariadením hrali a nedovoľte, aby ho používali deti alebo osoby, ktoré s ním nie sú oboznámené.
5. **UPOZORNENIE:** Toto zariadenie môžu používať deti staršie ako 8 rokov a osoby so zníženými fyzickými, zmyslovými alebo duševnými schopnosťami alebo osoby bez skúseností alebo znalostí tohto zariadenia, ak to robia pod dohľadom osoby zodpovednej za ich bezpečnosť alebo im bol poskytnutý návod na bezpečné používanie prístroja a sú si vedomí nebezpečenstiev spojených s jeho používaním. Deti by sa s prístrojom nemali hrať. Čistenie a údržbu užívateľa by nemali vykonávať deti, pokiaľ nie sú staršie ako 8 rokov a tieto činnosti nie sú vykonávané pod dohľadom.
6. Vždy po použití vyťahnite zástrčku zo zásuvky tak, že ju držíte rukou. NEŕahajte za kábel.
7. Neponárajte kábel, zástrčku a celé zariadenie do vody alebo inej tekutiny. Nevystavujte prístroj poveternostným podmienkam (dážď, slnko atď.) Ani ho nepoužívajte v prostredí s vysokou vlhkosťou (kúpeľne, vlhké mobilné domy).
8. Pravidelne kontrolujte stav napájacieho kábla. Ak je napájací kábel poškodený, mal by byť vymenený v špecializovanom servise, aby sa zabránilo riziku.
9. Nepoužívajte prístroj, ak je poškodený napájací kábel alebo ak spadol alebo akokoľvek poškodený, alebo ak nefunguje správne. Neopravujte zariadenie svojpomocne, pretože by mohlo dôjsť k úrazu elektrickým prúdom. Poškodené zariadenie odneste na kontrolu alebo opravu do príslušného servisného strediska. Akékoľvek opravy môžu vykonávať iba autorizované servisné strediská. Nesprávne vykonané opravy môžu pre užívateľa predstavovať vážne nebezpečenstvo.
10. Umiestnite prístroj na chladný, stabilný a rovný povrch, mimo dosahu tepelných zariadení ako sú: elektrický sporák, plynový horák atď.
11. Nepoužívajte prístroj v blízkosti horľavých materiálov.
12. Kvôli dodatočnej ochrane sa odporúča inštalovať do elektrického obvodu prúdový chránič (RCD) s menovitým zvyškovým prúdom nepresahujúcim 30 mA. V tejto súvislosti sa

obráťte na odborného elektrikára.

13. Ak sa zariadenie používa v kúpeľni, po použití odpojte zástrčku zo zásuvky, pretože blízkosť vody predstavuje riziko aj po vypnutí zariadenia.

14. Do produktu, cez ventilačnú mriežku a iné otvory nekladajte prsty ani žiadne cudzie predmety ani kovové predmety, inak by mohlo dôjsť k úrazu elektrickým prúdom alebo poruche.

15. Na vrchnú časť zariadenia nekladte žiadne predmety. Otvory nesmú byť zakryté uterákom, závesom atď. Môže to poškodiť zariadenie alebo spôsobiť požiar.

16. Prístroj sa počas prevádzky zahrieva, nedotýkajte sa horúcich častí prístroja.

Nedotýkajte sa prístroja mokkými rukami.

17. Ak konvektor navlhne alebo mu spadne nejaký predmet ventilačnú mriežku konvektora, okamžite ju vypnite a odpojte od elektrickej siete. Pred opätovným spustením pomocou konvektora kontaktujte službu.

18. Neukladajte stroj priamo pod elektrickú zásuvku.

19. Pred odpojením od siete prístroj vždy vypnite pomocou tlačidiel.

20. Nepoužívajte toto zariadenie, ak spadlo na zem.

21. Nepoužívajte, ak sú na prístroji viditeľné známky poškodenia.

22. Ohrievač používajte na rovnom a stabilnom povrchu alebo ho pripevnite k stene, ak to ustanovuje výrobca.

23. Všetky predmety by mali byť minimálne 1 meter od prednej a bočnej strany zariadenia.

24. Nezasúvajte a nedovoľte, aby sa do vetracích alebo výfukových prieduchov dostali cudzie predmety, pretože by to mohlo spôsobiť úraz elektrickým prúdom, požiar alebo poškodenie produktu.

25. Bežnou príčinou prehriatia je prach alebo chuchvalce vo vnútri zariadenia. Uistite sa, že sú tieto usadeniny pravidelne odstraňované odpojením zástrčky zo zásuvky a vysaním vetracích otvorov a mriežok, filtrov, ak sú k dispozícii.

26. Nepoužívajte toto zariadenie v okne, pretože dážď môže spôsobiť elektrický šok.

27. Nepripájajte prístroj k zdroju napájania, kým nie je nainštalovaný v koncovej polohe a umiestnený v polohe na použitie.

28. S týmto prístrojom sa neodporúča používať predlžovací kábel.

29. Nekladte kábel pod koberce, koberčeky, koberčeky atď. Šnúru udržiajte mimo miest, kde by o ňu mohla zakopnúť.

30. Nepoužívajte toto zariadenie s programátorom, časovačom alebo iným zariadením, ktoré automaticky zapína ohrievač, pretože pri nesprávnom zakrytí alebo nesprávnom umiestnení hrozí nebezpečenstvo požiaru.

31. Aby sa zabránilo nebezpečenstvu neúmyselného resetovania tepelného odpojenia, nesmie byť tento spotrebič napájaný externým spínacím zariadením, ako sú hodiny, ani nesmie byť pripojený k obvodu, ktorý je pravidelne zapínaný a vypínaný sieťou.

32. Nenechajte prístroj navlhčiť. Ak prístroj spadne do vody, okamžite odpojte zástrčku zo zásuvky. Ak je prístroj zapojený do elektrickej siete, nedávajte ruky do vody. Pred



opätovným použitím musí byť skontrolovaný autorizovaným servisným strediskom.

33. Zariadenie by malo byť vypnuté, kedykoľvek ho zložíte.

34. Nikdy nezapínajte prístroj, ak nie je nádrž naplnená vodou.

35. Používajte iba čistú a studenú vodu.

36. Nelejte vodu do nádrže nad maximálnu hladinu.

37. Neponárajte podstavec prístroja.

38. Do nádrže, podstavca alebo do vývodu pary nepridávajte žiadne chemikálie. Do vody nepridávajte aromatické oleje, soľ, odvápnovacie tablety, prášky alebo čistiace prostriedky.

39. Uzáver palivovej nádrže / kryt nádrže na vodu by mali byť vždy naskrutkované / zatvorené.

40. Dajte pozor, aby výstup vodnej hmlы zvlhčovača nesmeroval priamo na steny, nábytok, elektrické zásuvky, elektrické a elektronické zariadenia a deti. Príliš veľa vlhkosti v miestnosti môže viesť k hromadeniu vlhkosti, ktorá spôsobí množenie baktérií a plesní a poškodí steny, nábytok a tapety.

41. Neblokujte vetranie prístroja. Udržujte vzdialenosť najmenej 100 cm od prístroja.

Neblokujte výstup vodnej hmlы pomocou funkcie zvlhčovača.

42. Nepoužívajte prístroj tam, kde hrozí kondenzácia. Na vnútornej a vonkajšej strane prístroja sa môže vytvárať vlhkosť, keď:

- zariadenie sa premiestňuje z chladného na teplé miesto,
- vykurovací systém bol práve zapnutý,
- prístroj sa používa v miestnosti s vysokou vlhkosťou,
- zariadenie je chladené chladiacim systémom klimatizácie.

Ak sa v prístroji skondenzuje vlhkosť, nemusí pracovať správne alebo sa v extrémnych prípadoch môže poškodiť. V takom prípade prístroj nepoužívajte a nechajte ho niekoľko hodín sušiť.

43. Pokiaľ je prístroj funkčný, nenakláňajte ho, neprepadáвайте ho a neskúšajte ho znovu naliať alebo vyliatť.

44. Pokiaľ je funkcia zvlhčovača vzduchu v prevádzke, nevyberajte nádržku zo základne prístroja.

45. Plnená nádrž na vodu je ťažká. Pri prenášaní ho majte tiež pod ním.

46. Nepoužívajte prístroj, ak dôjde k úniku vody.

47. Nenechávajte vodu v nádrži, keď stroj nepoužívate.

48. Zvlhčovač vyčistite po každom cykle použitia prístroja. Postupujte podľa pokynov na čistenie v tomto návode.

49. Nikdy nedovoľte, aby v nádrži zostali usadeniny, vlhkosť alebo voda (mohlo by to spôsobiť kontamináciu alebo dokonca poškodenie ultrazvukového rozprašovača).

50. Počas dlhodobej prevádzky zariadenia môže vodná hmlа emitovaná zvlhčovačom spadnúť na podlahu a spôsobiť vlhkosť.

**UPOZORNENIE:** Nepoužívajte tento ohrievač v malých miestnostiach, kde sú ľudia, ktorí ich nemôžu opustiť sami, pokiaľ nie je zabezpečený stály dohľad.

**VAROVANIE:** Aby ste znížili riziko požiaru, udržiajte textilie, záclony alebo iné horľavé materiály vo vzdialenosti najmenej 1 m od výstupu vzduchu z ohrievača.



„Pozor horúci povrch“ - Teplota prístupných povrchov môže byť počas prevádzky vyššia, čo znamená, že sa prvky skrinky počas prevádzky počas prevádzky zahrejú. POZOR !!!



**POZNÁMKA:** Aby nedošlo k prehriatiu - nezakrývajte ohrievač. Nezakrývajte prístroj odevmi, prikrývkami alebo inými textíliami, ktoré by mohli spôsobiť vznietenie.



Nepoužívajte prístroj v blízkosti vody, napr. v sprche, vo vani alebo nad umývadlom s vodou.

## MONTAGE

Montáž podstavca (10): Zarovnajtie štyri otvory pre upevňovacie skrutky v podstavci (10) so stĺpkami skrutiek v podstavci (10) a zaskrutkujte štyri samorezné skrutky, aby ste výrobok mohli používať. Pozrite sa na obrázok 2.

## POPIS PRODUKTU (Obrázok 1)

- |                                |                          |
|--------------------------------|--------------------------|
| 1. Výstup zvlhčovaného vzduchu | 2. Predný panel displeja |
| 3. Výstup vzduchu              | 4. bývanie               |
| 5. Prívod vzduchu              | 6. Zadný kryt            |
| 7. Odtokový kryt               | 8. Horné panely          |
| 9. Odtoková zátka              | 10. Základňa             |
| 11. Diaľkové ovládanie         | 12. Vypínač napájania    |

## HORNÝ PANEL A PREDNÝ PANEL A ZNAČKA DIALKOVÉHO OVLÁDANIA - Obrázok 3

- |  |  |
|--|--|
| A. Tlačidlo pohotovostného režimu                              | A1. Indikátor funkcie ventilátora          |
| B. Tlačidlo časovača   | B1. Indikátor časovača                     |
| B2. Indikátor odpočítavania časovača / teploty / ochladzovania |  |
| C. Tlačidlo časovača / zvýšenia teploty                        | D. Tlačidlo na zníženie časovača / teploty |
| E. Tlačidlo regulácie úrovne vykurovania                       | E1. Ukazovateľ nízkej úrovne ohrevu        |
| E2. Ukazovateľ vysokej úrovne ohrevu                           | F. Tlačidlo oscilácie                      |
| G. Funkčné tlačidlo zvlhčovača                                 | G1. Indikátor zvlhčovača                   |
| H. Indikátor jednotky teploty                                  |  |

## POUŽITIE

1. Zapnutie: Položte zariadenie na stabilnú podlahu a zasuňte zástrčku do zásuvky. Zapnite hlavný vypínač (12) na zadnej strane produktu. „I“ znamená zapnuté, „0“ znamená vypnuté. V tomto okamihu je prístroj v pohotovostnom režime, na displeji sa zobrazuje okolitá teplota (B2) a rozsvieti sa indikátor jednotky teploty (H).

### 2. Ventilátor

Stlačte tlačidlo (A), rozsvieti sa kontrolka (A1) a ventilátor je v činnosti (prúdi vzduch pri izbovej teplote).

### 3. Kúrenie

Stlačte raz tlačidlo (E) pre nízkoúrovňový ohrev ~ 1500W, displej sa rozsvieti ako indikátor (E1).

Dvakrát stlačte tlačidlo (E) pre vysoké vykurovanie 2200 W, na displeji sa rozsvietia obidva indikátory (E1 + E2).

Opätovným stlačením tlačidla (E) kúrenie zrušíte.

Funkcia TIMER: Opakovaným stlačením tlačidla (B) nastavte dobu, po ktorej sa prístroj sám vypne (medzi 1,0 hodinou - 12,0 hodinami, v krokoch po 60 minútach). Súčasne sa rozsvieti indikátor časovača (B1).

Funkcia OSCILATION: Stlačením tlačidla (F) aktivujete kmitanie, zariadenie sa bude pohybovať doprava a doľava, aby sa rovnomerne rozložil odpadový vzduch. Opätovným stlačením tlačidla (F) zrušíte funkciu oscilácie.

## ÚPRAVA TEPLoty

Nastavte izbovú teplotu stlačením tlačidla (D) alebo (C). Predvolené nastavenie teploty je 25 °C. Teplotný rozsah od 10 do 35 °C.

Stlačením tlačidla (D) zvýšite požadovanú teplotu a stlačením tlačidla (C) znížite požadovanú teplotu. Prístroj je inteligentne naprogramovaný, vyberá pracovnú úroveň medzi nízkym alebo vysokým teplom podľa požadovanej teploty a aktuálnej teploty okolia.

## FUNKCIA ZVLHČOVANIA

Najskôr nalejte vodu do nádrže na vodu (13) podľa pokynov popísaných nižšie. Ak chcete naliať vodu do nádrže na vodu (13), najskôr odpojte zariadenie zo zásuvky. Ďalej stlačte nadol a vytiahnite vyčnievajúcu časť na zadnom kryte (6) - pozri obrázok 4. Vyberte nádržku na vodu (13) z krytu, odskrutkujte zátku nádrže na vodu (13) proti smeru hodinových ručičiek, nalejte čistú vodu (nie éterické oleje) a pevne zaskrutkujte zátku. Vložte nádržku na vodu (13) dovnútra krytu. Kryt správne nasadte na dve západky a zatlačením ho zatvorte.

Funkciu zvlhčovania je možné použiť normálne. Pripojte zariadenie.

Stlačte tlačidlo (G), produkt zapne funkciu zvlhčovania, rozsvieti sa indikátor zvlhčovania (G1). Ďalším stlačením tlačidla (G) vypnete funkciu zvlhčovania, súčasne zhasne indikátor zvlhčovania (G1). Funkciu zvlhčovania je možné použiť aj samostatne, keď je vypnutá funkcia ventilátora / kúrenia, ale napájanie je zapnuté.

Na vypustenie vody otvorte odtokový kryt (7) vytiahnite vypúšťaciu zátku (9) a vypustíte pripomínajúcu vodu do vhodnej nádrže.

Ak sa zariadenie dlhší čas nepoužíva, mala by sa vypustiť voda v nádrži.

Platné podmienky prostredia pre prevádzku zariadenia:

- funkcia vykurovania používa teplotu v rozmedzí od -20 °C do 25 °C.
- použitie funkcie zvlhčovača pri teplote v rozmedzí od 5 °C do 40 °C a relatívnej vlhkosti vzduchu nižšej ako 80%.

Zariadenie vypnete opätovným stlačením tlačidla (A). Potom ventilátor ochladí vykurovacie teleso vo vnútri krytu počas 30 sekúnd, potom sa automaticky vypne. Ak zariadenie predtým nebolo nastavené na funkciu vykurovania, prepne sa priamo do pohotovostného režimu.

Nesvieti panel predného displeja (2): Keď zariadenie bude pracovať 10 minút, automaticky prejde do režimu vypnutia obrazovky.

Stlačením ľubovoľného klávesu rozsvietíte obrazovku.

Diaľkové ovládanie : Pred použitím diaľkového ovládača (11) odstráňte plastovú fóliu na pravej strane diaľkového ovládača. Diaľkové ovládanie je rovnaké ako ručné ovládanie horného panelu (8).

#### AKO ZMENIŤ BATÉRIU DIAL'KOVÉHO OVLÁDAČA:

1. Kryt batérie je možné otvoriť pomocou mince alebo podobne.
2. Vložte gombíkovú batériu, dbajte na polaritu batérie („+“ lícom hore a „-“ lícom dole).
3. Zakryte kryt batérie.

#### ČISTENIE A ÚDRŽBA

1. Uistite sa, že zariadenie nie je horúce.
2. Pred čistením prístroja vytiahnite zástrčku z elektrickej zásuvky.
3. Udržujte vstupné a výstupné otvory vzduchu čisté. Dbajte na to, aby sa na otvoroch nezhromažďoval prach.
4. Kryt čistite iba suchou alebo vlhkou handričkou.
5. Neponárajte prístroj do vody!

#### TECHNICKÉ DÁTA:

Výkon: 2200W

Napájanie: 220 - 240 V ~ 50 Hz



Skrbimo za okolje. Kartonska embalaža, prosim darovati na odpadni papir. Polietilenske vreče (PE) mečite v posoda za plastiko. Dotrajane naprave je treba vrniti na ustrezno zbirno mesto, ker vsebovane v napravo nevarne elemente lahko predstavljajo nevarnost za okolje. Električna naprava je treba vrniti kakor, da se omeji njegovo ponovno uporabo in izkoriščenost. Če naprava vsebuje baterio, je treba odstraniti in ločeno dati nazaj na mesta skladiščenja.

#### СРПСКИ

#### ОПШТИ УСЛОВИ БЕЗБЕДНОСТИ

#### ВАЖНА УПУТСТВА ЗА БЕЗБЕДНОСТ МОЛИМО ВАС ПАЖЉИВО ПРОЧИТАЈТЕ И ОБАВЉАЈТЕ О БУДУЋОЈ РЕФЕРЕНЦИ

1. Пре употребе уређаја, прочитајте упутства за употребу и следите упутства која се у њему налазе. Произвођач није одговоран за било какву штету насталу употребом уређаја супротно намени или неправилним радом.
2. Уређај је само за кућну употребу. Не користите у друге сврхе које нису у складу са намером.
3. Уређај треба повезати на 220-240V ~ 50 / 60Hz. Да би се повећала сигурност употребе, многи електрични уређаји не би требали бити истовремено повезани на један електрични круг.
4. Будите посебно опрезни када користите уређај када су деца у близини. Не дозволите деци да се играју уређајем и не дозволите деци или људима који нису упознати са уређајем да га користе.
5. УПОЗОРЕЊЕ: Ову опрему могу користити деца старија од 8 година и особе смањене физичке, сензорне или менталне способности, или особе без искуства или знања о опреми, ако се то ради под надзором особе одговорне за своју сигурност или су им достављена упутства о безбедној употреби уређаја и свесни су опасности повезаних са његовом употребом. Деца се не би смела играти са опремом. Чишћење и одржавање корисника не би требало да обављају деца, осим ако су старија од 8 година и ове активности се обављају под надзором.
6. Увек након употребе, уклоните утикач из утичнице држећи утичницу руком.

НЕМОЈТЕ повлачити кабл.

7. Не потапајте кабл, утикач и читав уређај у воду или било коју другу течност. Не излажите уређај временским условима (киша, сунце итд.) Или га користите у условима високе влажности (купатила, влажне мобилне кућице).

8. Повремено проверавајте стање кабла за напајање. Ако је кабл за напајање оштећен, треба га заменити у специјализованој сервисној радионици како би се избегла опасност.

9. Не користите уређај ако је кабл за напајање оштећен или ако је на било који начин испуштен или оштећен или ако не ради исправно. Не поправљајте уређај сами јер може проузроковати електрични удар. Однесите оштећени уређај у одговарајући сервисни центар ради прегледа или поправке. Поправке могу извршити само овлашћени сервиси. Неправилно изведене поправке могу представљати озбиљну претњу за корисника.

10. Поставите уређај на хладну, стабилну, равну површину, даље од уређаја за грејање као што су: електрични шпорет, плински горионик итд.

11. Не користите уређај у близини запаљивих материјала.

12. За додатну заштиту, пожељно је у електрични круг уградити уређај за преосталу струју (РЦД) са номиналном преосталом струјом која не прелази 30 мА. С тим у вези, обратите се специјалистичком електричару.

13. Када се уређај користи у купатилу, извадите утикач из утичнице након употребе, јер је близина воде опасност чак и када је уређај искључен.

14. Не стављајте прсте нити било какве предмете или металне стране предмете унутар производа кроз вентилациону решетку и друге отворе, јер у супротном може доћи до струјног удара или квара.

15. Не стављајте никакве предмете на врх уређаја. Отвори за ваздух не смеју бити покривен пешкиром, завесом итд. Може оштетити уређај или изазвати пожар.

16. Уређај се загрева током рада, не додирујте вруће делове уређаја. Не додирујте уређај мокрым рукама.

17. Ако се конвектор смочи или падне било који предмет вентилацијску решетку конвектора, одмах је искључите и искључите из мреже. Пре поновног покретања помоћу конвектора обратите се сервису.

18. Не постављајте машину директно испод електричне утичнице.

19. Увек искључите уређај помоћу тастера пре него што га искључите из електричне мреже.

20. Не користите овај уређај ако је пао.

21. Не користите ако постоје видљиви знаци оштећења уређаја.

22. Користите грејач на равnoj и стабилној површини или га причврстите на зид, ако то предвиђа произвођач.

23. Сви предмети требају бити удаљени најмање 1 метар од предње и бочне стране уређаја.

24. Не убацујте и не допуштајте страним предметима да уђу у вентилационе или издувне отворе јер то може довести до струјног удара, пожара или оштећења производа.
25. Чест узрок прегревања је прашина или влакна унутар уређаја. Обавезно редовно уклањајте те насlage искључивањем уређаја и усисавањем вентилационих отвора и решетки, филтера, ако су доступни.
26. Не користите овај уређај на прозору јер киша може проузроковати електрични удар.
27. Не повезујте уређај на извор напајања док га не инсталирате у крајњи положај и поставите у положај за употребу.
28. Не препоручује се употреба продужног кабла са овим уређајем.
29. Не стављајте кабл испод тепиха, простирки, простирки итд. Кабл држите даље од места на којима би се могао спотакнути.
30. Не користите овај уређај са програматором, тајмером или било којим другим уређајем који аутоматски укључује грејач јер постоји опасност од пожара ако је уређај покривен или неправилно постављен.
31. Да би се избегла опасност од нехотичног ресетовања термалног искључења, овај уређај се не сме напајати спољним преклопним уређајем, као што је сат, нити повезати на колу које се редовно укључује и искључује из мреже.
32. Не навлажите уређај. Ако уређај падне у воду, одмах ископчајте утикач из утичнице. Не стављајте руке у воду када је уређај прикључен на струју. Пре поновне употребе мора га проверити овлашћени сервисни центар.
33. Уређај треба искључити кад год га одложите.
34. Никада не палите уређај када резервоар није напуњен водом.
35. Користите само чисту, хладну воду.
36. Не сипајте воду у резервоар изнад максималног нивоа.
37. Не потапајте базу уређаја.
38. Не додавајте никакве хемикалије у резервоар, подножје или одвод паре. Не додавајте у воду ароматична уља, сол, таблете за уклањање каменца, прашкове или средства за чишћење.
39. Поклопац пунила / поклопац резервоара за воду увек треба увек бити зашрафљен / затворен.
40. Водите рачуна да излаз водене магле овлаживача не буде усмерен директно на зидове, намештај, електричне утичнице, електричне и електронске уређаје и децу. Превише влаге у соби може довести до стварања влаге, узрокујући раст бактерија и гљивица и оштетивши зидове, намештај и тапете.
41. Не блокирајте вентилацију уређаја. Држите се на удаљености од уређаја најмање 100 цм. Не блокирајте излаз водене маглице функцијом овлаживача.
42. Не користите уређај тамо где постоји ризик од кондензације. Влага се може створити на унутрашњој и спољној страни уређаја када:
  - уређај се премешта са хладног на топло место,
  - систем грејања је управо укључен,
  - уређај се користи у соби са високом влажношћу,

- уређај се хлади системом за хлађење клима уређаја.

Када се у уређају догоди кондензација влаге, он можда неће радити исправно или у екстремним случајевима може бити оштећен. У том случају немојте користити уређај и оставите га да се осуши неколико сати.

43. Немојте се нагињати, падати или покушавати напунити или сипати воду из уређаја док ради.

44. Не уклањајте резервоар са базе уређаја док ради функција овлаживача.

45. Напуњен резервоар за воду је тежак. Када га носите, држите га и испод.

46. Не користите уређај ако цури вода.

47. Не остављајте воду у резервоару када машина није у употреби.

48. Очистите овлаживач ваздуха након сваког циклуса употребе уређаја. Следите упутства за чишћење у овом упутству.

49. Никада не дозволите да талог, влага или вода остану у резервоару (то може проузроковати контаминацију или чак оштећење ултразвучног распршивача).

50. Током дуготрајног рада уређаја, водена магла коју емитује овлаживач ваздуха може пасти на под и проузроковати влагу.

**УПОЗОРЕЊЕ:** Не користите овај грејач у малим просторијама у којима има људи који не могу сами да их напусте, осим ако није осигуран стални надзор.

**УПОЗОРЕЊЕ:** Да бисте смањили ризик од пожара, држите текстил, завесе или друге запаљиве материјале најмање 1 м од излаза за ваздух грејача.



„Опрез врућа површина“ - Температура приступачних површина може бити већа током рада, што значи да се елементи кућишта загревају током рада током рада. ОПРЕЗ !!!



**НАПОМЕНА:** Да бисте избегли прегревање - не покривајте грејач. Не прекривајте уређај одећом, ћебадима или другим текстилом који може проузроковати паљење.



Не користите уређај у близини воде, нпр. под тушем, кадом или преко умиваоника са водом.

## МОНТАГЕ

Монтажа основе (10): Поравнајте четири рупе за вијке за причвршћивање основе (10) са завртњима за постоље основе (10) и завртите са четири самореза да бисте производ ставили у употребу. Погледајте слику 2.

## ОПИС ПРОИЗВОДА (слика 1)

- |                         |                          |
|-------------------------|--------------------------|
| 1. Влажни излаз ваздуха | 2. Предња плоча екрана   |
| 3. Излаз за ваздух      | 4. Кућиште               |
| 5. Улаз за ваздух       | 6. Назад                 |
| 7. Драин цовер          | 8. Горе панели           |
| 9. Одводни чеп          | 10. База                 |
| 11. Даљинска контрола   | 12. Прекидач за напајање |

## ОЗНАКА ГОРЊЕГ И ПРЕДЊЕГ ПАНЕЛА & ДАЉИНСКОГ УПРАВЉАЊА - Слика 3

A. Дугме приправности	A1. Индикатор функције вентилатора	
B. Дугме тајмера	B1. Тимер индикатор	B2. Тимер / температура / индикатор одбројавања хлађења
C. Дугме тајмера / повећања температуре		D. Дугме тајмера / температуре
E. Дугме за регулацију нивоа грејања		E1. Индикатор ниског нивоа грејања
E2. Индикатор високог нивоа грејања		F. Дугме осцилација
G. Дугме функције овлаживача		G1. Индикатор овлаживача
H. Индикатор јединице температуре		

### УПОТРЕБА

1. Укључивање: Поставите уређај на стабилан под и уметните утикач у утичницу. Укључите прекидач за напајање (12) на задњој страни производа. „И“ значи укључено, „0“ значи искључено. У овом тренутку је уређај у стању приправности, на екрану се приказује температура околине (B2), а индикатор јединице температуре (X) ће упалити.

#### 2. Вентилатор

Притисните дугме (A), индикатор (A1) ће упалити и вентилатор ради (проток ваздуха на собној температури).

#### 3. Грејање

Притисните дугме (E) једном за ниско ниво грејања ~ 1500В, на екрану светли индикатор (E1).

Притисните дугме (E) два пута за високо грејање 2200В, на дисплеју ће се упалити оба индикатора (E1 + E2).

Притисните тастер (E) поново да бисте искључили грејање.

Функција ТИМЕР: Притисните тастер (B) више пута да бисте подесили период након којег ће се уређај сам искључити (између 1,0 сата - 12,0 сати, у корацима од 60 минута). Истовремено приказ светла индикатора тајмера (B1).

ОСЦИЛАЦИЈА: Притисните тастер (F) да бисте активирали осцилације, уређај ће се окретати удесно и улево да би равномерно распоредио издувни ваздух. Притисните поново тастер (F) да бисте отказали функцију осциловања.

### ПРИЛАГОЂАВАЊЕ ТЕМПЕРАТУРЕ

Подесите собну температуру притиском на тастер (D) или (C). Подразумевана температура подешавања је 25 °C. Распон температуре од 10-35 °C. Притисните тастер (D) да бисте повећали жељену температуру и притисните тастер (C) да бисте смањили жељену температуру. Уређај је интелигентно програмиран, он бира радни ниво између ниске или јаке топлоте у складу са жељеном температуром и тренутном температуром околине.

### ФУНКЦИЈА ХУМИДИФИКАЦИЈЕ

Прво сипајте воду у резервоар за воду (13) према доле описаним упутствима. Да бисте сипали воду у резервоар за воду (13), прво искључите уређај. Следеће притисните и повуците ван избочени део на задњем поклопцу (6) - погледајте слику 4. Извадите резервоар за воду (13) из кућишта, одвртите чеп резервоара за воду (13) у смеру супротном од кретања казаљке на сату, налијте чисту воду (не додата есенцијална уља) и чврсто завртите чеп. Ставите резервоар за воду (13) у кућиште. Добро поставите поклопац на два места за засун и гурните га да се затвори.

Функција овлаживања може се нормално користити. Прикључите уређај.

Притисните дугме (G), производ укључује функцију овлаживања, светли индикатор овлаживања (G1). Поново притисните дугме (G) да бисте искључили функцију влажења, истовремено ће се искључити индикатор овлаживања (G1). Функција овлаживања се такође може користити одвојено када је функција вентилатора / грејања искључена, али је напајање укључено.



Да бисте испразнили воду, отворите поклопац одвода (7) повуците чеп за одвод (9) и испустите подсећајућу воду у одговарајући резервоар.

Када се уређај не користи дуже време, воду у резервоару треба испразнити.

Важећи услови околине за рад уређаја:

- употреба температуре грејања у распону од  $-20^{\circ}\text{C}$  до  $25^{\circ}\text{C}$ .

- употреба функције овлаживача при температури у опсегу од  $5^{\circ}\text{C}$  до  $40^{\circ}\text{C}$  и релативној влажности мањој од 80%.

Да бисте искључили уређај, поново притисните тастер (А). Затим ће вентилатор хладити грејни елемент унутар кућишта током 30 секунди, а затим ће се аутоматски искључити. Ако уређај раније није укључен на функцију грејања, прећи ће директно у стање приправности.

Искључивање предње плоче екрана (2): Након што уређај ради 10 минута, аутоматски ће ући у режим искључивања светла, притисните било који тастер да бисте осветлили екран.

Даљински управљач: Пре употребе даљинског управљача (11) уклоните комад пластичне фолије са десне стране даљинског управљача. Даљинско управљање је исто као ручно управљање горњим панелом (8).

КАКО ПРОМЕНИТИ БАТЕРИЈУ ДАЉИНСКОГ УПРАВЉАЧА:

1. Поклопац батерије се може отворити новчићем или слично.
2. Инсталирајте батерију дугмета, обратите пажњу на поларитет батерије ("+" лицем према горе и "-" лицем надоле).
3. Покријте поклопац батерије.

ЧИШЋЕЊЕ И ОДРЖАВАЊЕ

1. Уверите се да уређај није врућ.
2. Пре чишћења уређаја извадите утикач из електричне утичнице.
3. Одржавајте улазне и излазне отворе за ваздух чистим. Не дозволите да се прашина скупља на отворима.
4. Очистите кућиште само сувом или влажном крпом.
5. Не потапајте уређај у воду!

ТЕХНИЧКИ ПОДАЦИ:

Снага: 2200В

Напајање: 220-240В ~ 50Хз



За заштиту животне средине: молимо вас да одвојите картонске кутије и пластичне кесе и одложите их у одговарајуће канте за смеће. Коришћени уређај треба да буде испоручен на наменске сакупљане тачке због оштрих компоненти, што може утицати на животну средину. Немојте одлагати овај уређај у заједничку корпу за отпатке.

УКРАЊНСЬКА

ЗАГАЉНІ УМОВИ БЕЗПЕКИ

ВАЖЛИВІ ІНСТРУКЦІЇ З БЕЗПЕКИ БУДЬ ЛАСКА, ЧИТАЙТЕ УВАЖНО І ЗБЕРЕЖІТЬСЯ  
ДЛЯ МАЙБУТНІХ ДОВІДК

1. Перед використанням пристрою прочитайте інструкцію з експлуатації та

- дотримуйтеся інструкцій, що містяться в ній. Виробник не несе відповідальності за будь-які збитки, спричинені використанням пристрою всупереч призначенню або неналежній експлуатації.
2. Прилад призначений лише для домашнього використання. Не використовуйте для інших цілей, що не відповідають призначенню.
  3. Пристрій слід підключити до напруги 220-240 В ~ 50/60 Гц. З метою підвищення безпеки використання багато електричних пристроїв не слід одночасно підключати до одного електричного кола.
  4. Будьте особливо обережні, використовуючи пристрій, коли поблизу є діти. Не дозволяйте дітям гратись з пристроєм і не дозволяйте дітям або людям, які не знайомі з ним, користуватися ним.
  5. **ПОПЕРЕДЖЕННЯ:** Цим обладнанням можуть користуватися діти віком від 8 років та люди зі зниженими фізичними, сенсорними чи розумовими здібностями, або люди, які не мають досвіду та знань про обладнання, якщо це робиться під наглядом особи, відповідальної за їх безпеку або їм були надані вказівки щодо безпечного використання пристрою та знають про небезпеку, пов'язану з його використанням. Діти не повинні гратись з обладнанням. Прибирання та обслуговування користувачів не повинні виконуватися дітьми, якщо вони не старші 8 років, і ці заходи виконуються під наглядом.
  6. Завжди після використання виймайте вилку з розетки, тримаючи розетку рукою. НЕ тягніть за шнур.
  7. Не занурюйте кабель, вилку та весь пристрій у воду або будь-яку іншу рідину. Не піддавайте пристрій погодним умовам (дощ, сонце тощо) та не використовуйте його в умовах високої вологості (ванні кімнати, вологі мобільні будинки).
  8. Періодично перевіряйте стан шнура живлення. Якщо шнур живлення пошкоджений, його слід замінити у спеціалізованій майстерні, щоб уникнути небезпеки.
  9. Не використовуйте прилад, якщо шнур живлення пошкоджений, якщо він впав або пошкоджений будь-яким чином, або він працює неправильно. Не ремонтуйте пристрій самостійно, оскільки це може призвести до ураження електричним струмом. Віднесіть пошкоджений пристрій у відповідний сервісний центр для огляду або ремонту. Будь-який ремонт може виконуватися лише уповноваженими сервісними центрами. Неправильно виконаний ремонт може становити серйозну загрозу для користувача.
  10. Помістіть пристрій на прохолодну, стабільну, рівну поверхню, подалі від нагрівальних приладів, таких як: електрична плита, газовий пальник тощо.
  11. Не використовуйте пристрій поблизу легкозаймистих матеріалів.
  12. Для додаткового захисту доцільно встановити в електричному ланцюзі пристрій залишкового струму (УЗО) з номінальним залишковим струмом, що не перевищує 30 мА. З цього приводу зверніться до спеціаліста-електрика.
  13. Коли пристрій використовується у ванній, вийміть вилку з розетки після використання, оскільки близькість води становить небезпеку, навіть коли пристрій вимкнено.

14. Не кладіть пальці, будь-які предмети чи сторонні предмети з металу всередину виробу через вентиляційну решітку та інші отвори, інакше це може призвести до ураження електричним струмом або несправності.
15. Не кладіть будь-які предмети на пристрій. Вентс не повинен бути накрите рушником, завісою тощо. Це може пошкодити пристрій або спричинити пожежу.
16. Пристрій нагрівається під час роботи, не торкайтеся гарячих частин пристрою. Не торкайтеся пристрою мокрими руками.
17. Якщо конвектор намокає або який-небудь предмет провалюється вентиляційну решітку конвектора, негайно вимкніть її та відключіть від мережі. Перед перезапуском використовуючи конвектор, зверніться до сервісної служби.
18. Не розміщуйте машину безпосередньо під електричною розеткою.
19. Завжди вимикайте пристрій за допомогою кнопок, перш ніж відключати його від електромережі.
20. Не використовуйте цей пристрій, якщо він випав.
21. Не використовуйте, якщо є видимі ознаки пошкодження пристрою.
22. Використовуйте обігрівач на рівній і стійкій поверхні або прикріпіть його до стіни, якщо це передбачено виробником.
23. Всі предмети повинні знаходитися на відстані принаймні 1 метра від передньої та бокової частин пристрою.
24. Не вставляйте та не допускайте потрапляння сторонніх предметів у вентиляційні або витяжні вентиляційні отвори, оскільки це може призвести до ураження електричним струмом, пожежі або пошкодження виробу.
25. Поширеною причиною перегріву є пил або ворсинки всередині пристрою. Переконайтесь, що ці відкладення регулярно видаляються, виймаючи пристрій з мережі та пилососючи вентиляційні отвори та решітки, фільтри, якщо такі є.
26. Не використовуйте цей пристрій у вікні, оскільки дощ може спричинити ураження електричним струмом.
27. Не підключайте прилад до джерела живлення, поки він не буде встановлений у остаточному положенні та встановлений у положення для використання.
28. Не рекомендується використовувати подовжувач із цим пристроєм.
29. Не кладіть шнур під килими, килими, килимки тощо. Тримайте шнур подалі від місць, де він може зіткнутися про нього.
30. Не використовуйте цей пристрій із програмістом, таймером або будь-яким іншим пристроєм, який автоматично вмикає обігрівач, оскільки існує небезпека пожежі, якщо пристрій закрито або розміщено неправильно.
31. Щоб уникнути небезпеки ненавмисного скидання термічного відключення, цей прилад не повинен живитись від зовнішнього комутаційного пристрою, такого як годинник, або підключатися до ланцюга, який регулярно включається і вимикається електромережею.

32. Не намокайте пристрій. Якщо пристрій потрапляє у воду, негайно від'єднайте вилку від розетки. Не занурюйте руки у воду, коли пристрій підключено до електромережі. Перед повторним використанням його слід перевірити в уповноваженому сервісному центрі.
33. Пристрій слід вимикати щоразу, коли ви його кладете.
34. Ніколи не вмикайте пристрій, коли бак не наповнений водою.
35. Використовуйте лише чисту, прохолодну воду.
36. Не наливайте воду в бак вище максимального рівня.
37. Не занурюйте основу пристрою.
38. Не додайте ніяких хімічних речовин у резервуар, основу або отвір для випуску пари. Не додавайте у воду ароматичні олії, сіль, таблетки для видалення накипу, порошки та засоби для чищення.
39. Кришка заливного горла / кришка резервуара для води завжди повинна бути прикручена / закрита постійно.
40. Слідкуйте за тим, щоб вихідний отвір водяного туману зволожувача повітря не спрямовував прямо на стіни, меблі, електричні розетки, електричні та електронні пристрої та дітей. Занадто велика вологість у приміщенні може призвести до накопичення вологи, спричиняючи розмноження бактерій та грибків та пошкоджуючи стіни, меблі та шпалери.
41. Не блокуйте вентиляцію пристрою. Дотримуйтесь відстані не менше 100 см від пристрою. Не перекривайте випуск водяного туману за допомогою функції зволожувача.
42. Не використовуйте пристрій там, де існує ризик конденсації. Волога може утворюватися всередині та зовні приладу, якщо:
- пристрій перенесено з холодного в тепле місце,
  - система опалення щойно увімкнена,
  - пристрій використовується в приміщенні з підвищеною вологістю,
  - пристрій охолоджується системою охолодження кондиціонера.
- Коли в пристрої відбувається конденсація вологи, він може не працювати належним чином або, в крайньому випадку, може бути пошкоджений. У цьому випадку не використовуйте пристрій і залиште його висохнути на кілька годин.
43. Не нахиляйте, не падайте і не намагайтеся долити чи вилити воду з пристрою, поки він працює.
44. Не виймайте резервуар з основи пристрою, поки працює функція зволожувача.
45. Наповнений резервуар для води важкий. Тримавши його, тримайте його також знизу.
46. Не використовуйте пристрій, якщо є витік води.
47. Не залишайте воду в баку, коли машина не використовується.
48. Очищуйте зволожувач повітря після кожного циклу використання пристрою. Дотримуйтесь інструкцій з очищення у цьому посібнику.
49. Ніколи не дозволяйте осаду, вологи або воді залишатися в резервуарі (це може

спричинити забруднення або навіть пошкодити ультразвуковий пульверизатор).  
50. Під час тривалої роботи пристрою водяний туман, що виділяється зволожувачем, може впасти на підлогу та спричинити вологу.

**ПОПЕРЕДЖЕННЯ:** Не використовуйте цей обігрівач у невеликих приміщеннях, де є люди, які не можуть залишити їх самі, якщо не забезпечений постійний нагляд.

**ПОПЕРЕДЖЕННЯ:** Щоб зменшити ризик пожежі, тримайте текстиль, штори або інші легкозаймисті матеріали на відстані принаймні 1 м від виходу повітря нагрівача.



"Обережно, гаряча поверхня" - Температура доступних поверхонь може бути вищою під час роботи, що означає, що елементи корпусу нагріваються під час роботи під час роботи. **ОБЕРЕЖНО !!!**



**ПРИМІТКА:** Щоб уникнути перегріву - не закривайте нагрівач. Не накривайте пристрій одягом, ковдрами чи іншими тканинами, які можуть спричинити займання.



Не використовуйте пристрій поблизу води, напр. у душі, ванні або над умивальником з водою.

## МОНТАЖ

Монтаж основи (10): Вирівняйте чотири отвори для кріплення гвинтів основи (10) з гвинтовими стійками основи (10) та закрутіть чотирма саморізами, щоб надати виріб у користування. Подивіться на малюнок 2.

## ОПИС ВИРОБУ (Рисунок 1)

- |                                   |                           |
|-----------------------------------|---------------------------|
| 1. зволожуваний вихід повітря     | 2. Передня панель дисплея |
| 3. повітропровід                  | 4. житло                  |
| 5. повітрозабірник                | 6.Задній чохол            |
| 7. зливна кришка                  | 8.Верхні панелі           |
| 9. Зливна пробка                  | 10.База                   |
| 11. Пульт дистанційного керування | 12. Вимикач живлення      |

## ВЕРХНЯ ПАНЕЛЬ ТА ПЕРЕДНЯ ПАНЕЛЬ І ДИСТАНЦІЙНЕ МАРКУВАННЯ - Малюнок 3

- |  |  |
|--|--|
| A. Кнопка режиму очікування  | A1. Індикатор роботи вентилятора         |
| B. Кнопка таймера  | B1.Індикатор таймера                     |
| B2.Таймер / Температура / Індикатор зворотного відліку охолодження |  |
| C. Кнопка таймера / підвищення температури                         | D. Кнопка таймера / зниження температури |
| E. Кнопка регулювання рівня опалення                               | E1. Індикатор низького рівня опалення    |
| E2. Індикатор високого рівня опалення                              | F. Кнопка коливання                      |
| G. Функціональна кнопка зволожувача                                | G1. Індикатор зволожувача                |
| H. Індикатор одиниці температури                                   |  |

## ВИКОРИСТАННЯ

1. Увімкніть живлення: поставте пристрій на стійку підлогу та вставте вилку в розетку. Увімкніть вимикач живлення (12) на задній панелі виробу. "I" означає увімкнений, "0" означає вимкнений. У цей час пристрій перебуває в режимі очікування, на дисплеї відображається температура навколишнього середовища (B2), а індикатор одиниці температури (H) засвітиться.

### 2. Вентилятор

Натисніть кнопку (A), індикатор (A1) засвітиться, і вентилятор працює (подайте повітря кімнатної температури).

### 3. Опалення

Натисніть кнопку (E) один раз для низького рівня опалення ~ 1500 Вт, на дисплеї загориться індикатор (E1).

Двічі натисніть кнопку (E) для високого рівня опалення 2200 Вт, на дисплеї загоряться обидва індикатори (E1 + E2).

Натисніть кнопку (E) ще раз, щоб скасувати нагрів.

**Функція ТАЙМЕР:** Натискайте кнопку (B) кілька разів, щоб встановити період, після якого пристрій самостійно вимикається (від 1,0 години до 12,0 годин з кроком 60 хвилин). Одночасно індикатор таймера (B1) відображає світло.

**Функція КОЛІВАННЯ:** Натисніть кнопку (F), щоб активувати коливання, пристрій повернеться вправо та вліво, щоб рівномірно розподілити відпрацьоване повітря. Знову натисніть кнопку (F), щоб скасувати функцію коливань.

## РЕГУЛЮВАННЯ ТЕМПЕРАТУРИ

Відрегулюйте кімнатну температуру, натискаючи кнопку (D) або (C). За замовчуванням встановлена температура становить 25 °C. Діапазон температур від 10-35 °C. Натисніть кнопку (D), щоб збільшити бажану температуру, і натисніть кнопку (C), щоб зменшити бажану температуру. Пристрій інтелектуально запрограмований, він вибирає робочий рівень між низьким або сильним нагріванням відповідно до бажаної температури та сучасної температури навколишнього середовища.

## ФУНКЦІЯ ЗВЛАЖНЕННЯ

Спочатку налейте воду у бак для води (13) відповідно до інструкції, описаної нижче. Щоб залити воду у бак для води (13), спочатку відключіть пристрій від мережі. Далі натисніть і витягніть за межі виступаючої частини на задній кришці (6) - подивіться малюнок 4. Вийміть резервуар для води (13) з корпусу, відкрутіть пробку резервуару для води (13) проти годинникової стрілки, залийте чистою водою (ні додані ефірні олії) і щільно закрутіть пробку. Помістіть резервуар для води (13) всередину корпусу. Добре встановіть кришку на двох місцях засувки і натисніть її, щоб закрити.

Функцію зволоження можна використовувати нормально. Підключіть пристрій до мережі.

Натисніть кнопку (G), виріб увімкне функцію зволоження, загориться індикатор зволоження (G1). Натисніть кнопку (G) ще раз, щоб вимкнути функцію зволоження, одночасно індикатор зволоження (G1) буде вимкнений. Функцію зволоження можна також використовувати окремо, коли функція вентилятора / опалення вимкнена, але живлення увімкнено.

Для зливу води відкрийте кришку зливу (7), витягніть зливну пробку (9) і злийте воду, що нагадує, у відповідний бак.

Коли пристрій не використовується тривалий час, воду з бака слід злити.

Застосовні умови середовища для роботи пристрою:

- температура використання функції нагрівання в діапазоні від -20 ° C до 25 ° C.
- використання функції зволожувача при температурі від 5 ° C до 40 ° C та відносній вологості менше 80%.

Щоб вимкнути пристрій, натисніть кнопку (A) ще раз. Потім вентилятор охолоджує нагрівальний елемент всередині корпусу

протягом 30 секунд, далі вентилятор автоматично вимкнеться. Якщо пристрій раніше не вмикав функцію нагріву, він перейде безпосередньо в режим очікування.

Вимкнення передньої панелі дисплея (2): Після роботи пристрою протягом 10 хвилин він автоматично перейде в режим вимкнення світла, натисніть будь-яку клавішу, щоб засвітити екран.

Пульт дистанційного керування: Перед використанням пульта дистанційного керування (11) вийміть шматок пластикової фольги з правого боку пульта дистанційного керування. Робота з дистанційним управлінням така ж, як робота з верхньою панеллю (8).

ЯК ЗМІНИТИ АККУМУЛЯТОР ДИСТАНЦІЙНОГО УПРАВЛІННЯ:

1. Кришку акумулятора можна відкрити монетою або підібним.
2. Встановіть кнопку батареї, зверніть увагу на полярність батареї ("+" лицьовою стороною вгору та "-" лицьовою стороною вниз).
3. Накрийте кришку акумулятора.

ОЧИЩЕННЯ ТА ОБСЛУГОВУВАННЯ

1. Переконайтесь, що пристрій не гарячий.
2. Перед очищенням пристрою вийміть вилку з розетки.
3. Зберігайте вхідні та вихідні отвори повітря чистими. Не допускайте скупчення пилу на отворах.
4. Очищайте корпус, використовуючи лише суху або вологу тканину.
5. Не занурюйте пристрій у воду!

ТЕХНІЧНІ ДАНІ:

Потужність: 2200 Вт

Живлення: 220-240 В ~ 50 Гц



У інтересах навколишнього середовища.

Будь ласка, віддайте картонну упаковку в місце збору мукулатури. Поліетиленові мішки (PE) викинути в смітник для пластику. Відпрацьований пристрій повинен бути відправлений у відповідну точку зберігання, тому що в пристрої є небезпечні інгредієнти, які можуть становити загрозу навколишньому середовищу. Електричний пристрій потрібно повернути так, щоб обмежити його повторне використання. Якщо у пристрої є батареї, то потрібно їх витягнути і віддати до відповідного пункту.



(AR) عربي

شروط السلامة العامة

تعليمات هامة للسلامة يرجى قراءتها بعناية والاحتفاظ بها للرجوع إليها في المستقبل

- 1- قبل استخدام الجهاز ، اقرأ تعليمات التشغيل واتبع التعليمات الواردة فيها. الشركة المصنعة غير مسؤولة عن أي ضرر ناتج عن استخدام الجهاز خلافاً للاستخدام المقصود أو التشغيل غير السليم .
2. الجهاز للاستخدام المنزلي فقط. لا تستخدمه في أغراض أخرى لا تتوافق مع الاستخدام المقصود .
- 3- يجب توصيل الجهاز بجهد 220-240 فولت ~ 50/60 هرتز. من أجل زيادة سلامة الاستخدام ، يجب عدم توصيل العديد من الأجهزة الكهربائية بدائرة كهربائية واحدة في وقت واحد .
4. كن حذرًا بشكل خاص عند استخدام الجهاز عندما يكون الأطفال في الجوار. لا تسمح للأطفال باللعب بالجهاز ولا تسمح للأطفال أو الأشخاص غير المعتادين على الجهاز باستخدامه
- 5 تحذير: يمكن استخدام هذه المعدات من قبل الأطفال الذين تزيد أعمارهم عن 8 سنوات والأشخاص الذين

يعانون من ضعف القدرات البدنية أو الحسية أو العقلية ، أو الأشخاص الذين ليس لديهم خبرة أو معرفة بالمعدات ، إذا تم ذلك تحت إشراف شخص مسؤول عن سلامتهم أو تم تزويدهم بتعليمات حول الاستخدام الآمن للجهاز وإدراكهم للمخاطر المرتبطة باستخدامه. يجب ألا يلعب الأطفال بالمعدات. لا ينبغي أن يقوم الأطفال بالتنظيف وصيانة المستخدم ، إلا إذا كان عمرهم أكبر من 8 سنوات ويتم تنفيذ هذه الأنشطة تحت إشراف

دائمًا بعد الاستخدام ، قم بإزالة القابس من المأخذ عن طريق إمساك المنفذ بيدك. لا تسحب السلك 6. لا تغمر الكبل والقابس والجهاز بالكامل في الماء أو أي سائل آخر. لا تعرض الجهاز لظروف الطقس -7 (المطر ، الشمس ، إلخ) أو تستخدمه في ظروف الرطوبة العالية (الحمامات ، المنازل المتحركة الرطبة) افحص حالة سلك الطاقة بشكل دوري. في حالة تلف سلك الطاقة ، يجب استبداله بمحل إصلاح 8. متخصص لتجنب الخطر

لا تستخدم الجهاز في حالة تلف سلك الطاقة أو في حالة سقوطه أو تلفه بأي شكل من الأشكال أو إذا 9. كان لا يعمل بشكل صحيح. لا تقم بإصلاح الجهاز بنفسك لأنه قد يتسبب في حدوث صدمة كهربائية. خذ الجهاز التالف إلى مركز خدمة مناسب لفحصه أو إصلاحه. لا يجوز إجراء أي إصلاحات إلا من خلال نقاط الخدمة المعتمدة. يمكن أن تشكل الإصلاحات التي يتم إجراؤها بشكل غير صحيح تهديدًا خطيرًا للمستخدم

ضع الجهاز على سطح بارد ومستقر ومستوي بعيدًا عن أجهزة التدفئة مثل: الموقد الكهربائي ، الموقد 10. الغازي ، إلخ

لا تستخدم الجهاز بالقرب من المواد القابلة للاشتعال 11.

في الدائرة الكهربائية بتيار (RCD) للحصول على حماية إضافية ، يُنصح بتركيب جهاز التيار المتبقي 12. متبقي مُقدر لا يتجاوز 30 مللي أمبير. في هذا الصدد ، يرجى استشارة كهربائي متخصص

عند استخدام الجهاز في الحمام ، قم بإزالة القابس من المقبس بعد الاستخدام ، حيث أن قرب الماء 13. يشكل خطرًا حتى عند إيقاف تشغيل الجهاز

لا تدخل أصابعك أو أي أشياء أو أجسام معدنية غريبة داخل المنتج عبر شبكة التهوية والفتحات 14. الأخرى ، وإلا فقد يتسبب ذلك في حدوث صدمة كهربائية أو حدوث عطل

لا تضع أي أشياء فوق الجهاز. يجب ألا تكون الفتحات 15.

مغطاة بمنشفة أو ستارة أو ما إلى ذلك ، فقد يؤدي ذلك إلى تلف الجهاز أو نشوب حريق

يسخن الجهاز أثناء التشغيل ، لا تلمس الأجزاء الساخنة من الجهاز. لا تلمس الجهاز ويداك مبتلتان 16. إذا تبلل المسخن أو سقط أي شيء من خلاله 17.

شبكة تهوية المسخن ، قم بإيقاف تشغيلها على الفور وافصلها عن التيار الكهربائي. قبل إعادة الإطلاق باستخدام المسخن ، اتصل بالخدمة

لا تضع الجهاز أسفل المقبس الكهربائي مباشرة 18.

قم دائمًا بإغلاق الجهاز باستخدام الأزرار قبل فصله عن مصدر التيار الكهربائي 19.

لا تستخدم هذا الجهاز إذا تم إسقاطه 20.

لا تستخدمه إذا كانت هناك علامات مرئية لتلف الجهاز 21.

استخدم سخان على سطح مستو وثابت أو قم بتثبيتته على الحائط ، إذا كان ذلك مطلوبًا من قبل الشركة 22. المصنعة

يجب أن تكون جميع العناصر على بعد متر واحد على الأقل من مقدمة الجهاز وجوانبه 23-

لا تدخل أو تسمح بدخول أجسام غريبة إلى فتحات التهوية أو العادم لأن ذلك قد يؤدي إلى حدوث 24. صدمة كهربائية أو حريق أو تلف المنتج

من الأسباب الشائعة لارتفاع درجة الحرارة وجود الغبار أو الوبر داخل الجهاز. تأكد من إزالة هذه 25. الرواسب بانتظام عن طريق فصل الوحدة وتنظيف فتحات التهوية والشبكات والمرشحات ، إذا كانت



لا تستخدم هذا الجهاز في نافذة لأن المطر قد يسبب صدمة كهربائية. 26.

لا تقم بتوصيل الجهاز بمصدر طاقة حتى يتم تثبيته في موضعه النهائي ووضعه في وضع الاستخدام. 27.

لا يوصى باستخدام سلك تمديد مع هذا الجهاز. 28.

لا تضع السلك تحت السجاد والبسط والبسط ، وما إلى ذلك. احتفظ بالسلك بعيدًا عن الأماكن التي قد يتعثر فيها.

لا تستخدم هذا الجهاز مع مبرمج أو مؤقت أو أي جهاز آخر يقوم بتشغيل السخان تلقائيًا حيث يوجد -30 خطر نشوب حريق إذا تم تغطية الجهاز أو وضعه بشكل غير صحيح

لتجنب خطر إعادة ضبط الانقطاع الحراري عن غير قصد ، يجب ألا يتم تشغيل هذا الجهاز بواسطة 31. جهاز تحويل خارجي ، مثل الساعة ، أو توصيله بدائرة يتم تشغيلها وإيقافها بانتظام بواسطة التيار الكهربائي.

لا يبلل الجهاز. إذا سقط الجهاز في الماء ، افصل القابس من المقبس على الفور. لا تضع يديك في 32. الماء عند توصيل الجهاز. قبل إعادة الاستخدام ، يجب فحصه من قبل مركز خدمة معتمد

الجهاز يجب أن يكون مغلقًا كلما تركته. 33.

لا تقم مطلقًا بتشغيل الجهاز عندما لا يكون الخزان ممتلئًا بالماء. 34.

استخدم فقط الماء النظيف والبارد. 35.

لا تصب الماء في الخزان فوق المستوى الأقصى. 36.

لا تغمر قاعدة الجهاز. 37.

لا تضيف أي مواد كيميائية إلى الخزان أو القاعدة أو مخرج البخار. لا تقم بإضافة الزيوت العطرية أو 38. الملح أو أقراص إزالة الترسبات أو المساحيق أو مواد التنظيف إلى الماء

يجب أن يكون غطاء الحشو / غطاء خزان المياه مشدودًا / مغلقًا في جميع الأوقات. 39.

احذر من أن مخرج رذاذ الماء في جهاز الترطيب لا يشير بشكل مباشر إلى الجدران والأثاث والنافذ. 40. الكهربائية والأجهزة الكهربائية والإلكترونية والأطفال. يمكن أن تؤدي الرطوبة الزائدة في الغرفة إلى تراكم الرطوبة ، مما يتسبب في نمو البكتيريا والفطريات وإتلاف الجدران والأثاث وورق الحائط

لا تمنع تهوية الجهاز. احتفظ بمسافة لا تقل عن 100 سم من الجهاز. لا تسد مخرج رذاذ الماء بوظيفة 41. المرطب.

لا تستخدم الجهاز حيث يوجد خطر التكثيف. يمكن أن تتكون الرطوبة داخل الجهاز وخارجه عندما 42.

، ينتقل الجهاز من مكان بارد إلى مكان دافئ -

، تم تشغيل نظام التدفئة للتو -

، الجهاز يستخدم في غرفة ذات رطوبة عالية -

يتم تبريد الجهاز بنظام تبريد التكييف -

عند حدوث تكثف للرطوبة في الجهاز ، فقد لا يعمل بشكل صحيح أو قد يتلف في الحالات القصوى. في هذه الحالة ، لا تستخدم الجهاز واتركه ليجف لعدة ساعات

لا تقم بإمالة الجهاز أو سقوطه أو محاولة إعادة ملئه أو صب الماء من الجهاز أثناء عمله. 43.

لا تقم بإزالة الخزان من قاعدة الجهاز أثناء تشغيل وظيفة المرطب. 44.

خزان المياه المملوء ثقيل. عند حملها ، احتفظ بها تحتها أيضًا. 45.

لا تستخدم الجهاز في حالة وجود تسرب للمياه. 46.

لا تترك الماء في الخزان عندما لا تكون الآلة قيد الاستخدام. 47.

تنظيف المرطب بعد كل دورة استخدام للجهاز. اتبع تعليمات التنظيف في هذا الدليل. 48.

لا تسمح أبدًا للرواسب أو الرطوبة أو الماء بالبقاء في الخزان (قد يتسبب ذلك في تلوث أو حتى إتلاف 49. (البخاخة فوق الصوتية

أثناء التشغيل طويل الأمد للجهاز ، قد يسقط رذاذ الماء المنبعث من جهاز الترطيب على الأرض. 50. ويسبب الرطوبة

، تحذير: لا تستخدم هذه المدفأة في الغرف الصغيرة حيث يوجد أشخاص غير قادرين على تركها بأنفسهم. ما لم يتم ضمان الإشراف المستمر  
تحذير: لتقليل مخاطر نشوب حريق ، احتفظ بالمنسوجات أو الستائر أو غيرها من المواد القابلة للاشتعال على بعد متر واحد على الأقل من مخرج هواء السخان



تحذير السطح الساخن" - قد تكون درجة حرارة الأسطح التي يمكن الوصول إليها أعلى" !!! أثناء التشغيل ، مما يعني أن عناصر السكن تسخن أثناء التشغيل أثناء التشغيل. الحذر

ملاحظة: لتجنب ارتفاع درجة الحرارة - لا تغم بغطية السخان. لا تغم بغطية الجهاز بالملابس أو البطانيات أو المنسوجات الأخرى التي قد تسبب الاشتعال

لا تستخدم الجهاز بالقرب من الماء ، على سبيل المثال. في الحمام أو حوض الاستحمام أو فوق مغسلة بالماء

موتاج

الموتاج الأساسي (10): قم بمحاذاة فتحات مسامير التثبيت الأربعة للقاعدة (10) مع دعائم المسامير اللولبية للقاعدة (10) ، ثم قم ببراعي بأربعة مسامير ملولبة ذاتية التنصت لوضع المنتج قيد الاستخدام. انظر إلى الشكل 2

- وصف المنتج (الشكل 1)
- مخرج الهواء المرطب.1
- لوحة العرض الأمامية-2
- منفذ الهواء.3
- الإسكان-4
- مدخل الهواء.5
- الغطاء الخلفي.6
- غطاء الصرف.7
- أعلى الألواح.8
- استنزاف المكونات.9
- القاعدة-10
- السيطرة remote.11
- مفتاح الطاقة.12

اللوحة العلوية واللوحة الأمامية وتعليم التحكم عن بعد - الشكل 3

زر الاستعداد. A.

أ.1. مؤشر وظيفة المروحة

ب. زر المؤقت

مؤشر B1.Timer

درجة الحرارة / التبريد مؤشر العد التنازلي / B2.Timer

زر زيادة المؤقت / درجة الحرارة. C.

د- زر تقليل المؤقت / درجة الحرارة

زر تنظيم مستوى التدفئة. E.

هـ 1. مؤشر انخفاض مستوى التسخين

هـ 2. مؤشر لمستوى التسخين العالي

زر التذبذب. F.

زر وظيفة المرطب. G.

ش 1. مؤشر المرطب

مؤشر وحدة درجة الحرارة. H.

الاستخدام

، التشغيل: ضع الجهاز على أرضية ثابتة وأدخل القابس في المقبس. قم بتشغيل مفتاح الطاقة (12) الموجود في الجزء الخلفي من المنتج. "أنا" تعني تشغيل 1. وسيسوي مؤشر وحدة درجة الحرارة (B2) تعني إيقاف. في هذا الوقت ، يكون الجهاز في وضع الاستعداد ، وتعرض الشاشة درجة الحرارة المحيطة "0" (H).

مروحة 2.

وتعمل المروحة (تدفق الهواء في درجة حرارة الغرفة) (A1) وسيسوي المؤشر (A) اضغط على الزر

(E1). تضئىء الشاشئة مؤشر 1500W ~ مرة واحدة للتدفئة منخفضة المستوى (E) اضغط على الزر (E1 + E2). مرتين للتدفئة عالية المستوى 2200 واط ، ستضئىء الشاشئة كلا المؤشرين (E) اضغط على الزر مرة أخرى لإلغاء التسخين (E) اضغط على الزر

بشكل متكرر لتعيين فترة يتوقف بعدها الجهاز عن العمل (بين 1.0 ساعة - 12.0 ساعة ، في خطوات مدتها 60 دقيقة). في (B) اضغط على الزر: TIMER وظيفة (B1). نفس الوقت عرض ضوء مؤشر الموقت

لتنشيط التذبذب ، وسوف يتأرجح الجهاز إلى اليمين واليسار لتوزيع هواء العادم بالتساوي. اضغط على الزر مرة (F) اضغط على الزر: OSCILATION وظيفة وإلغاء وظيفة التذبذب (F) أخرى

#### تعديل درجة الحرارة

درجة حرارة الإعداد الافتراضية هي 25 درجة مئوية. تتراوح درجة الحرارة من 10-35 درجة (C) أو (D) اضبط درجة حرارة الغرفة بالضغط على الزر لخفض درجة الحرارة المطلوبة. الجهاز مبرمج بذكاء ، فهو يختار مستوى (C) لزيادة درجة الحرارة المطلوبة واضغط على الزر (D) مئوية. اضغط على الزر العمل بين الحرارة المنخفضة أو العالية وفقاً لدرجة الحرارة المطلوبة ودرجة الحرارة المحيطة الحالية

#### وظيفة الترطيب

في البداية ، صب الماء في خزان الماء (13) وفقاً للتعليمات الموضحة أدناه. لصب الماء في خزان الماء (13) ، أفضل الجهاز في البداية. اضغط بعد ذلك لأسفل وأسحب الجزء البارز من الغطاء الخلفي (6) - انظر إلى الشكل 4. أخرج خزان المياه (13) من الهيكل ، وقم بفك قابس خزان المياه (13) (في عكس اتجاه عقارب الساعة ، وصب الماء النظيف (لا تمت إضافة الزيوت الأساسية) وقم بربط القابس بإحكام. ضع خزان الماء (13) داخل السكن. ضع الغطاء بشكل صحيح على

مكانين من المزلاج جيداً وادفعه للإغلاق

يمكن استخدام وظيفة الترطيب بشكل طبيعي. قم بتوصيل الجهاز

مرة أخرى لإيقاف تشغيل وظيفة الترطيب (G) اضغط على الزر (G1) يقوم المنتج بتشغيل وظيفة الترطيب ، وبضئىء مؤشر الترطيب (G) اضغط على الزر يمكن أيضاً استخدام وظيفة الترطيب بشكل منفصل عند إيقاف تشغيل وظيفة المروحة / التسخين مع تشغيل (G1) وفي نفس الوقت سينطفئ مؤشر الترطيب ، الطاقة

للتصريف المياه ، افتح غطاء الصرف (7) (اسحب قابس التصريف) 9) وقم بتصريف مياه التذكير إلى الخزان المناسب في حالة عدم استخدام الجهاز لفترة طويلة ، يجب تصريف المياه الموجودة في الخزان

#### شروط البيئة المطبقة لتشغيل الجهاز

تستخدم وظيفة التسخين درجة حرارة تتراوح من -20 درجة مئوية إلى 25 درجة مئوية -

%تستخدم وظيفة المرطب في درجات حرارة تتراوح من 5 درجات مئوية إلى 40 درجة مئوية والرطوبة النسبية أقل من 80 -

لإيقاف تشغيل الجهاز اضغط على الزر (أ) مرة أخرى. بعد ذلك ، ستبرد المروحة عنصر التسخين داخل الغلاف خلال 30 ثانية ، وبعد ذلك سيتم إيقاف تشغيل المروحة تلقائياً. إذا لم يتم ضبط الجهاز على وظيفة التسخين من قبل ، سوف ينتقل مباشرة إلى وضع الاستعداد

إضاءة لوحة العرض الأمامية (2): بعد أن يعمل الجهاز لمدة 10 دقائق ، سيدخل تلقائياً في وضع إيقاف تشغيل الشاشة ، اضغط على أي مفتاح لإضاءة الشاشة

وحدة التحكم عن بعد : قبل استخدام جهاز التحكم عن بعد (11) ، انزع قطعة الرقاقة البلاستيكية الموجودة على الجانب الأيمن من جهاز التحكم عن بعد. عملية التحكم عن بعد هي نفس التشغيل اليدوي للوحة العلوية

#### كيفية تغيير بطارية وحدة التحكم عن بعد

يمكن فتح غطاء البطارية بعملة معدنية أو ما شابه ذلك 1.

قم بتهيئة بطارية الزر ، وانتهب إلى قطبية البطارية ("+" الوجه لأعلى و "-" الوجه لأسفل) 2.

قم بتغطية غطاء البطارية 3.

#### التنظيف والصيانة

تأكد من أن الجهاز ليس ساخناً 1.

قبل تنظيف الجهاز ، قم بإزالة القابس من المقبس الكهربائي 2.

الحفاظ على فتحات مدخل ومخرج الهواء نظيفة. لا تسمح للأتربة بالتجمع على الفتحات 3.

نظف الهيكل باستخدام قطعة قماش جافة أو رطبة فقط 4.

لا تعمر الجهاز في الماء 5.

#### معلومات تقنية

القوة: ٢٢٠٠ واط

مصدر الطاقة: 220-240 فولت ~ 50 هرتز

يرجى نقل عبوات الورق المقوى إلى نفايات الورق. اسكب أكياس البولي إيثيلين في الحاوية البلاستيكية

يجب إعادة الجهاز البالي إلى نقطة تخزين مناسبة لأنه خطير في الجهاز

قد تشكل المكونات تهديداً للبيئة. يجب تسليم الجهاز الكهربائي للحد

فعلك إخراجها وإعطائها إلى النقطة المخزنة بشكل منفصل ، إعادة استخدامها واستخدامها. إذا كان هناك بطاريات في الجهاز



ОБЩИ УСЛОВИЯ ЗА БЕЗОПАСНОСТ  
ВАЖНИ ИНСТРУКЦИИ ЗА БЕЗОПАСНОСТ, МОЛЯ, ПРОЧЕТЕТЕ ВНИМАТЕЛНО И  
ПАЗЕТЕ ЗА БЪДЕЩА РЕФЕРЕНЦИЯ

1. Преди да използвате устройството, прочетете инструкциите за експлоатация и следвайте инструкциите, съдържащи се в него. Производителят не носи отговорност за каквито и да е щети, причинени от използване на устройството в противоречие с предназначението му или неправилна работа.
2. Уредът е само за домашна употреба. Не използвайте за други цели, които не са в съответствие с предназначението му.
3. Устройството трябва да бъде свързано към 220-240V ~ 50 / 60Hz. За да се увеличи безопасността при използване, много електрически устройства не трябва да бъдат свързани едновременно към една електрическа верига.
4. Бъдете особено внимателни, когато използвате устройството, когато деца са в близост. Не позволявайте на децата да играят с устройството и не позволявайте на деца или хора, които не са запознати с устройството, да го използват.
5. ПРЕДУПРЕЖДЕНИЕ: Това оборудване може да се използва от деца над 8-годишна възраст и хора с намалени физически, сензорни или умствени способности или хора без опит или познания за оборудването, ако това се прави под наблюдението на лице, отговорно за тяхната безопасност или са им били предоставени инструкции за безопасна употреба на устройството и са наясно с опасностите, свързани с използването му. Децата не трябва да играят с оборудването. Почистването и поддръжката на потребителите не трябва да се извършват от деца, освен ако са на възраст над 8 години и тези дейности се извършват под наблюдение.
6. Винаги след употреба извадете щепсела от контакта, като държите контакта с ръка. НЕ дърпайте кабела.
7. Не потапяйте кабела, щепсела и цялото устройство във вода или друга течност. Не излагайте устройството на атмосферни условия (дъжд, слънце и др.) Или го използвайте в условия на висока влажност (бани, влажни мобилни къщи).
8. Периодично проверявайте състоянието на хранящия кабел. Ако хранящият кабел е повреден, той трябва да бъде заменен от специализиран сервиз, за да се избегне опасност.
9. Не използвайте уреда, ако хранящият кабел е повреден или ако е изпуснат или повреден по някакъв начин или ако не работи правилно. Не ремонтирайте устройството сами, тъй като това може да причини токов удар. Занесете повреденото устройство в подходящ сервизен център за проверка или ремонт. Ремонтите могат да се извършват само от оторизирани сервизни центрове. Неправилно извършените ремонти могат да представляват сериозна заплаха за потребителя.
10. Поставете устройството на хладна, стабилна, равна повърхност, далеч от отоплителни уреди като: електрическа печка, газова горелка и др.
11. Не използвайте устройството в близост до запалими материали.
12. За допълнителна защита е препоръчително да инсталирате устройство за

остатъчен ток (RCD) в електрическата верига с номинален остатъчен ток, който не надвишава 30 mA. В тази връзка, моля, консултирайте се със специалист електротехник.

13. Когато устройството се използва в банята, извадете щепсела от контакта след употреба, тъй като близостта на вода е опасна, дори когато устройството е изключено.

14. Не поставяйте пръстите си или други предмети или метални чужди предмети вътре в продукта през вентилационната решетка и други прорези, в противен случай това може да причини токов удар или неизправност.

15. Не поставяйте предмети върху устройството. Отдушниците не трябва да бъдат покрити с кърпа, завеса и др. Това може да повреди устройството или да причини пожар.

16. Устройството се загрява по време на работа, не докосвайте горещи части на устройството. Не докосвайте устройството с мокри ръце.

17. Ако конвекторът се намокри или някой предмет падне вентилационната решетка на конвектора, изключете я незабавно и я изключете от мрежата. Преди рестартиране използвайте конвектора, свържете се със сервиза.

18. Не поставяйте машината директно под електрически контакт.

19. Винаги изключвайте устройството с помощта на бутоните, преди да го изключите от електрическата мрежа.

20. Не използвайте това устройство, ако то е изпуснато.

21. Не използвайте, ако има видими признаци на повреда на устройството.

22. Използвайте нагревателя на равна и стабилна повърхност или го прикрепете към стената, ако е предвидено от производителя.

23. Всички предмети трябва да са на поне 1 метър от предната и страничната част на устройството.

24. Не поставяйте и не позволявайте на чужди предмети да влизат във вентилационните или изпускателните отвори, тъй като това може да доведе до токов удар, пожар или повреда на продукта.

25. Честа причина за прегряване е прахът или мъхът вътре в устройството. Уверете се, че тези отлагания се отстраняват редовно, като изключвате устройството и вакуумирате вентилационните отвори и решетките, филтрите, ако има такива.

26. Не използвайте това устройство на прозорец, тъй като дъждът може да причини токов удар.

27. Не свързвайте уреда към източник на захранване, докато не е инсталиран в крайното си положение и не е поставен в положението за използване.

28. Не се препоръчва да използвате удължителен кабел с това устройство.

29. Не поставяйте кабели под килими, килими, килими и др. Пазете кабела далеч от места, където може да се препъне.

30. Не използвайте това устройство с програмист, таймер или друго устройство, което

автоматично включва нагревателя, тъй като съществува риск от пожар, ако устройството е покрито или поставено неправилно.

31. За да се избегне опасността от неволно нулиране на термичния изключвател, този уред не трябва да се захранва от външно превключващо устройство, като часовник, или да се свързва към верига, която редовно се включва и изключва от електрическата мрежа.

32. Не мокрете устройството. Ако устройството падне във вода, незабавно изключете щепсела от контакта. Не поставяйте ръцете си във водата, когато устройството е включено в контакта. Преди повторна употреба, то трябва да бъде проверено от оторизиран сервизен център.

33. Устройството трябва да се изключва, когато го оставите.

34. Никога не включвайте устройството, когато резервоарът не е пълен с вода.

35. Използвайте само чиста, хладна вода.

36. Не наливайте вода в резервоара над максималното ниво.

37. Не потапяйте основата на устройството.

38. Не добавяйте никакви химикали в резервоара, основата или изхода за пара. Не добавяйте във водата ароматни масла, сол, таблетки за премахване на котлен камък, прахове или почистващи препарати.

39. Капачката за пълнене / капакът на резервоара за вода винаги трябва да се завинтва / затваря по всяко време.

40. Внимавайте изходът на водната мъгла на овлажнителя да не сочи директно към стени, мебели, електрически контакти, електрически и електронни устройства и деца. Твърде много влажност в помещението може да доведе до натрупване на влага, причинявайки растеж на бактерии и гъбички и увреждащи стени, мебели и тапети.

41. Не блокирайте вентилацията на устройството. Пазете разстояние от устройството поне 100 cm. Не блокирайте изхода на водната мъгла с функцията на овлажнителя.

42. Не използвайте устройството там, където съществува риск от конденз. Във вътрешността и отвън на уреда може да се образува влага, когато:

- устройството се премества от студено на топло място,

- отоплителната система току-що е включена,

- устройството се използва в помещение с висока влажност,

- устройството се охлажда от охладителната система на климатика.

Когато в устройството се получи кондензация на влага, тя може да не работи правилно или в краен случай да се повреди. В този случай не използвайте устройството и го оставете да изсъхне няколко часа.

43. Не накланяйте, не падайте и не се опитвайте да пълните или изливате вода от устройството, докато работи.

44. Не отстранявайте резервоара от основата на устройството, докато функцията на овлажнителя работи.

45. Напълненият резервоар за вода е тежък. Когато го носите, дръжте го и отдолу.

46. Не използвайте устройството, ако има изтичане на вода.

47. Не оставяйте вода в резервоара, когато машината не се използва.

48. Почиствайте овлажнителя след всеки цикъл на използване на устройството.

Следвайте инструкциите за почистване в това ръководство.

49. Никога не оставяйте утайки, влага или вода да останат в резервоара (това може да причини замърсяване или дори да повреди ултразвуковия пулверизатор).

50. По време на продължителна работа на устройството, водната мъгла, излъчвана от овлажнителя, може да падне на пода и да причини влага.

**ПРЕДУПРЕЖДЕНИЕ:** Не използвайте този нагревател в малки помещения, където има хора, които не могат да ги напуснат сами, освен ако не е осигурен постоянен надзор.

**ПРЕДУПРЕЖДЕНИЕ:** За да намалите риска от пожар, дръжте текстил, завеси или други запалими материали на разстояние поне 1 м от изхода на въздуха на нагревателя.



„Внимание гореща повърхност“ - Температурата на достъпните повърхности може да бъде по-висока по време на работа, което означава, че елементите на корпуса се нагреват по време на работа по време на работа.  
**ВНИМАНИЕ !!!**



**ЗАБЕЛЕЖКА:** За да избегнете прегряване - не покривайте нагревателя. Не покривайте устройството с дрехи, одеяла или друг текстил, който може да причини запалване.



Не използвайте устройството близо до вода, напр. в душ, вана или над умивалник с вода.

#### МОНТАЖ

Монтаж на основата (10): Подравнете четирите отвора за фиксиране на винта на основата (10) с винтовите стойки на основата (10) и завийте с четири самонарезни винта, за да пуснете продукта в употреба. Вижте фигура 2.

#### ОПИСАНИЕ НА ПРОДУКТА (Фигура 1)

- |                             |                                   |
|-----------------------------|-----------------------------------|
| 1. Изход за овлажен въздух  | 2. Преден панел на дисплея        |
| 3. Въздушен изход           | 4. Жилище                         |
| 5. Вход за въздух           | 6. Задна корица                   |
| 7. Капак за източване       | 8. Горещи панели                  |
| 9. Пробка за източване      | 10. Основата                      |
| 11. Дистанционно управление | 12. Превключвател на захранването |

#### МАРКИРАНЕ НА ГОРНИЯ ПАНЕЛ И ПРЕДНИЯ ПАНЕЛ И ДИСТАНЦИОННО УПРАВЛЕНИЕ - Фигура 3

- |  |  |
|--|--|
| A. Бутон в режим на готовност                                      | A1. Индикатор за функцията на вентилатора        |
| B. Бутон на таймера  | B1. Индикатор на таймера                         |
| B2. Индикатор за отброяване на таймера / температура / охлаждането |  |
| C. Бутон за таймер / повишаване на температурата                   | D. Бутон за таймер / намаляване на температурата |
| E. Бутон за регулиране на нивото на отопление                      | E1. Индикатор за ниско ниво на отопление         |
| E2. Индикатор за високо ниво на отопление                          | F. Бутон за трептене                             |
| G. Функционален бутон на овлажнителя                               | G1. Индикатор за овлажнител                      |
| H. Индикатор за единица температура                                |  |

#### УПОТРЕБА

1. Включване: Поставете устройството на стабилен под и поставете щепсела в контакта. Включете превключвателя на захранването (12) на гърба на продукта. „I“ означава включен, „O“ означава изключен. По това време устройството е в режим на готовност, дисплеят показва температурата на околната среда (B2) и индикаторът за единица температура (H) ще светне.

2. Вентилатор

Натиснете бутона (A), индикаторът (A1) ще светне и вентилаторът работи (изтичайте въздуха при стайна температура).

3. Отопление

Натиснете бутона (E) веднъж за ниско ниво на отопление ~ 1500W, дисплеят светва индикатор (E1).

Натиснете бутона (E) два пъти за високо ниво на отопление 2200W, дисплеят ще светне и двата индикатора (E1 + E2).

Натиснете бутона (E) отново, за да отмените отоплението.

Функция ТАЙМЕР: Натиснете бутона (B) неколккратно, за да зададете период, след който устройството ще се самоизключва

(между 1,0 час - 12,0 часа, на стъпки от 60 минути). В същото време индикатор за индикатор на таймера (B1).

Функция OSCILATION: Натиснете бутона (F), за да активирате трептенето, устройството ще се люлее надясно и наляво, за да разпредели равномерно отработения въздух. Натиснете отново бутона (F), за да отмените функцията на трептене.

## РЕГУЛИРАНЕ НА ТЕМПЕРАТУРАТА

Регулирайте стайната температура, като натиснете бутон (D) или (C). Температурата по подразбиране е 25 °C. Температурен диапазон от 10-35 °C. Натиснете бутона (D), за да увеличите желаната температура и натиснете бутона (C), за да намалите желаната температура. Устройството е интелигентно програмирано, то избира работното ниво между ниска или висока температура според желаната температура и настоящата околна температура.

## ФУНКЦИЯ НА ОВЛАЖНЯВАНЕ

Първо излейте водата в резервоар за вода (13) съгласно инструкциите, описани по-долу. За да излеее водата в резервоар за вода (13), първо изключете устройството от контакта. След това натиснете надолу и издърпайте изпъкналата част на задния капак (6) - вижте фигура 4. Извадете резервоара за вода (13) от корпуса, развийте запушалката на резервоара за вода (13) обратно на часовниковата стрелка, изсипете чиста вода (не добавени етерични масла) и здраво завийте щепсела. Поставете резервоара за вода (13) в корпуса. Поставете добре капака на две места на ключалките и го натиснете, за да се затвори. Овлажняващата функция може да се използва нормално. Включете устройството.

Натиснете бутона (G), продукът включва функцията за овлажняване, индикаторът за овлажняване (G1) светва. Натиснете бутона (G) отново, за да изключите функцията за овлажняване, като в същото време индикаторът за овлажняване (G1) ще бъде изключен. Функцията за овлажняване може да се използва и отделно, когато функцията вентилатор / отопление е изключена, но захранването е включено.

За да източите водата, отворете капака за източване (7), издърпайте запушалката за източване (9) и източете напоящата вода в подходящ резервоар.

Когато устройството не се използва дълго време, водата в резервоара трябва да се източи.

Приложими условия на околната среда за работа на устройството:

- функция за използване на отоплителната функция в диапазона от -20 °C до 25 °C.
- използване на функцията на овлажнител при температура в диапазона от 5 °C до 40 °C и относителна влажност под 80%.

За да изключите устройството, натиснете отново бутона (A). След това вентилаторът ще охлади нагревателния елемент вътре в корпуса за 30 секунди, след което вентилаторът ще се изключи автоматично. Ако устройството не е включено преди това на функция за отопление, то ще премине директно в режим на готовност.

Изключване на осветлението на предния панел на дисплея (2): След като устройството работи в продължение на 10 минути, то автоматично ще влезе в режим на изключване на светлината, натиснете произволен клавиш, за да осветите екрана.

Дистанционно управление: Преди да използвате дистанционното управление (11), извадете парчето пластмасово фолио от дясната страна на дистанционното управление. Дистанционното управление е същото като ръчното управление на горния панел (8).

## КАК ДА СМЕНЯ БАТЕРИЯТА НА ДИСТАНЦИОННИЯ КОНТРОЛ:

1. Капакът на батерията може да се отвори с монета или други подобни.
2. Инсталирайте батерията на бутона, обърнете внимание на полярността на батерията ("+" с лицето нагоре и "-" с лицето надолу).
3. Покрийте капака на батерията.

## ПОЧИСТВАНЕ И ПОДДРЪЖКА

1. Уверете се, че устройството не е горещо.
2. Преди почистване на устройството извадете щепсела от електрическия контакт.
3. Поддържайте отворите за вход и изход на въздуха чисти. Не позволявайте прахът да се събира по отворите.
4. Почистете корпуса, като използвате само суха или влажна кърпа.
5. Не потапяйте устройството във вода!

## ТЕХНИЧЕСКИ ДАННИ:

Мощност: 2200W

Захранване: 220-240V ~ 50Hz

Моля, прехвърлете картонените опаковки в отпадъчна хартия. Изсипете полиетиленовите торбички (PE) в пластмасовия контейнер. Износеното устройство трябва да се върне в съответното място за съхранение, тъй като е опасно в устройството съставките могат да представляват заплаха за околната среда. Електрическото устройство трябва да бъде предадено докрай повторното му използване и използване. Ако в устройството има батерии, трябва да извадите и да дадете на точката, съхранявана отделно.





# ADLER

EUROPE



**AIR COOLER**  
AD 7913



**FOOT SPA**  
AD 2177



**HAIR CLIPPER**  
AD 2831



**HAIR DRYER**  
AD 2265



**HEATED PAD**  
AD 7412



**CERAMIC FAN HEATER**  
AD 7731



**OIL-FILLER RADIATOR**  
AD 7811



**KITCHEN SCALE**  
AD 3171



**CHOCOLATE FOUNTAIN**  
AD 4487



**HAND BLENDER**  
AD 4617



**LINT REMOVER**  
AD 9616



**VACUUM CLEANER**  
AD 7044



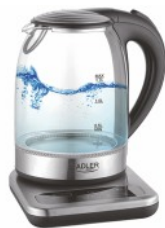
**MEAT MINCER**  
AD 4811



**Blender**  
AD 4078



**ELECTRIC GRILL**  
AD 6610



**ELECTRIC KETTLE**  
AD 1293

# ADLER

EUROPE



**COFFEE GRINDER**  
AD 4446



**TOASTER 2 SLICE**  
AD 3214



**HAND BLENDER**  
Ad4625



**MIXER WITH BOWL**  
AD 4222



**AIR FRYER OVEN**  
AD 6309



**MICROWAVE OVEN**  
AD 6205



**WAFFLE MAKER**  
AD 3049



**KITCHEN SCALE**  
AD 3170



**ELECTRIC KETTLE**  
AD 1286



**SANDWICH MAKER**  
AD 3043



**PORTABLE FRIDGE**  
AD 8077



**Electric Oven With HOB**  
AD 6020



**FAN HEATER**  
AD 7728



**MOSQUITO LAMP**  
AD 7938



**HEATED PAD**  
AD 7433



**ORAL IRRIGATOR**  
AD 2176



**Electric Kettle**  
AD 1282



**Burr Coffee Grinder**  
AD 4450



**Milk Frother**  
AD 4491



**Sandwich Maker**  
AD 3055



**TOASTER 2 SLICE**  
AD 3222



**ELECTRIC GRILL**  
AD 3052



**CITRUS JUICER**  
AD 4009



**PERSONAL BLENDER**  
AD 4081



**FOOD PROCESSOR**  
AD 4224



**MIXER**  
AD 4225



**AIR FRYER**  
AD 6310



**PASTEURIZATION POT**  
AD 4496



**AIR CONDITIONER**  
AD 7916



**AIR HUMIDIFIER**  
AD 7966



**FAN HEATER**  
AD 7725



**KITCHEN SCALE**  
AD 3166



## AFTER SALE SERVICE NOTICE

GB	If you want to buy spare parts or make any complaints, please contact the seller who issued the receipt directly.
DE	Wenn Sie Ersatzteile kaufen oder reklamieren möchten, wenden Sie sich bitte direkt an den Verkäufer, der die Quittung ausgestellt hat.
FR	Si vous souhaitez acheter des pièces de rechange ou faire des réclamations, veuillez contacter directement le vendeur qui a émis le reçu.
ES	Si desea comprar repuestos o presentar alguna queja, comuníquese directamente con el vendedor que emitió el recibo.
PT	Se você quiser comprar peças de reposição ou fazer alguma reclamação, entre em contato diretamente com o vendedor que emitiu o recibo.
LT	Jei norite įsigyti atsarginių dalių ar pateikti nusiskundimą, susisiekite tiesiogiai su kvitą išdavusiu pardavėju.
LV	Ja vēlaties iegādāties rezerves daļas vai izteikt pretenzijas, lūdzu, sazinieties tieši ar pārdevēju, kurš izsniedza čeku.
EST	Kui soovite osta varuosid või esitada pretensioone, võtke otse ühendust kvitungi väljastanud müüjaga.
HU	Ha pótalkatrészeket szeretne vásárolni, vagy panaszt szeretne tenni, forduljon közvetlenül a bizonylatot kiállító eladóhoz.
BS	Ako želite kupiti rezervne dijelove ili napraviti reklamaciju, obratite se direktno prodavaču koji je izdao račun.
RO	Если вы хотите купить запчасти или предъявить какие-либо претензии, пожалуйста, свяжитесь напрямую с продавцом, выдавшим чек.
CZ	Chcete-li zakoupit náhradní díly nebo uplatnit jakoukoli reklamacii, kontaktujte přímo prodejce, který účtenku vystavil.
RU	Если вы хотите купить запчасти или сделать претензию, пожалуйста, свяжитесь напрямую с продавцом, выдавшим чек.
GR	Εάν θέλετε να αγοράσετε ανταλλακτικά ή να κάνετε οποιαδήποτε παράπονα, επικοινωνήστε απευθείας με τον πωλητή που εξέδωσε την απόδειξη.
MK	Ako sakate da kupite rezervni delови или да поднесете какви било popлаки, контактирајте директно со продавачот кој ја издал сметката.
NL	Als u reserveonderdelen wilt kopen of een klacht wilt indienen, neem dan rechtstreeks contact op met de verkoper die de bon heeft afgegeven.
SL	Če želite kupiti nadomestne dele ali vložiti reklamacije, se obrnite neposredno na prodajalca, ki je izdal račun.
FI	Jos haluat ostaa varaosia tai tehdä valituksia, ota yhteyttä suoraan kuitin antaneeseen myyjään.
PL	W przypadku chęci zakupu części zamiennych lub zgłoszenia ewentualnych reklamacji należy kontaktować się bezpośrednio ze sprzedawcą, który wystawił paragon.
IT	Se desidero acquistare pezzi di ricambio o presentare reclami, contatta direttamente il venditore che ha emesso la ricevuta.
HR	Se desidero acquistare pezzi di ricambio o presentare reclami, contatta direttamente il venditore che ha emesso la ricevuta.
SV	Om du vill köpa reservdelar eller göra några reklamationer, vänligen kontakta säljaren som utfärdat kvittot direkt.
DK	Hvis du ønsker at købe reservedele eller reklamere, bedes du kontakte sælgeren, som har udstedt kvitteringen, direkte.
UA	Якщо ви хочете придбати запчастини або подати будь-які претензії, зверніться безпосередньо до продавця, який видав чек.
SR	Ako želite da kupite rezervne delove ili da uložite reklamaciju, obratite se direktno prodavcu koji je izdao račun.
SK	Ak si chcete kúpiť náhradné diely alebo uplatniť akúkoľvek reklamáciu, kontaktujte priamo predajcu, ktorý účtenku vystavil.
AR	إذا تولى ببيعك شيء، أحرص على ربطه وأرسله إلى الموزع، أو اتصل به مباشرة إذا أردت شراء قطع الغيار أو تقديم شكوى.
BG	Ako iscate da zakupite rezervni части или да направите оплаквания, моля, свържете се директно с продавача, който е издал касовата бележка.