

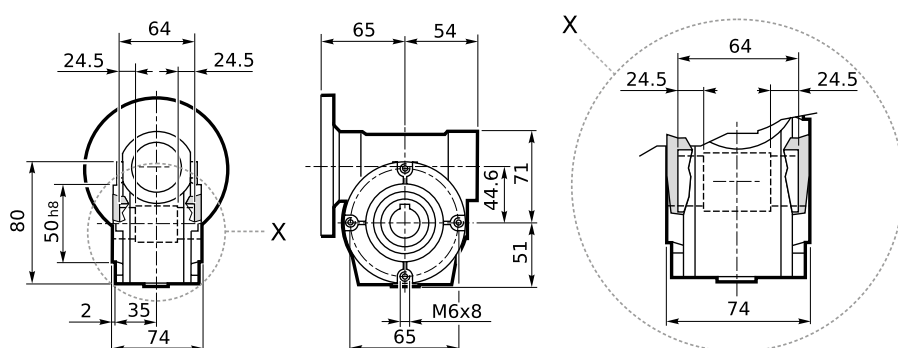
## Product Dimensions

### Designation

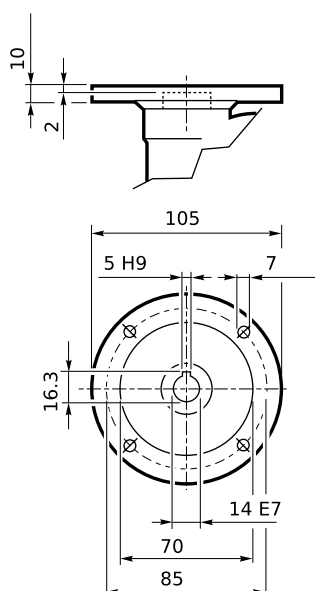
VF 44 P1 7 P71 B14 B3

Dimensions [mm], Italic [In]

### Gearbox Dimensions

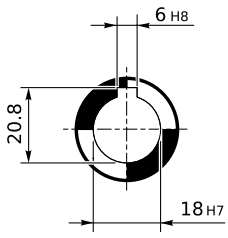


### Input Dimensions



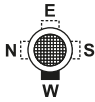
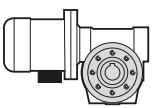
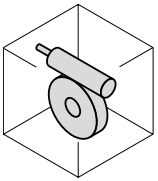
## Output Shaft

---



## Mounting Position

---



## Customer's Shaft

---

