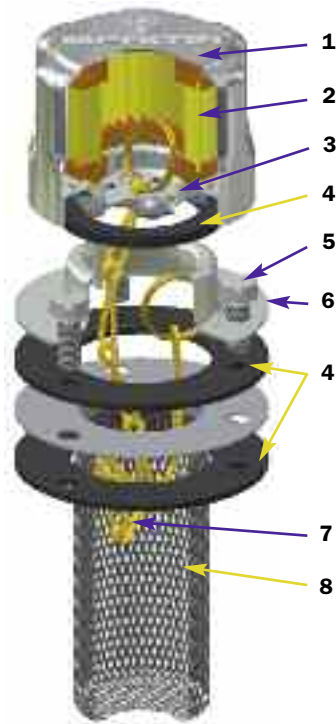


## Metal oil filler and air breather filler caps

# Series TA 46

## Dimensions



### TA46 B (Materials)

- 1 - Cover: Chrome Plated Steel
- 2 - Filter element: Impregnated paper  
Polyurethane
- 3 - 6 - Flange: Galvanised Steel
- 4 - Seals: NBR  
Cork Gasket
- 5 - Screws: Galvanised Steel
- 7 - Chain, ring: Brass
- 8 - Basket: Galvanised Steel

### Flow rates with $\Delta p$ : 0,02 bar

Filtration	l/min
3 $\mu\text{m}$	150
10 $\mu\text{m}$	200

### Weight

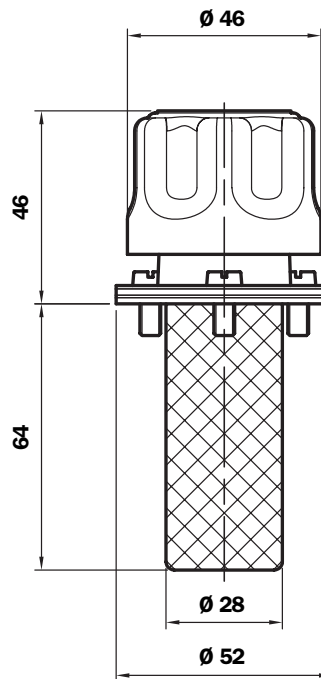
TA 46: 0,100 kg

### TA 46 B

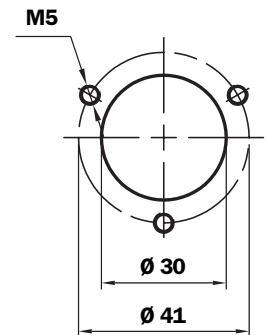
Bayonet connection  
Non-removable strainer



### Bayonet connection



### Reservoir holes

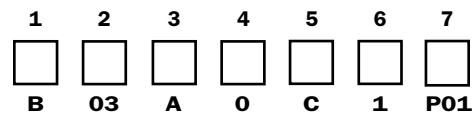


## Ordering information

### Filler cap

#### TA46

Example: TA46



### 1 - Connection to reservoir

**B** Flange with bayonet connection

### 2 - Filter element

**03** 3  $\mu\text{m}$  - Impregnated paper  
**10** 10  $\mu\text{m}$  - Polyurethane

### 3 - Seal

**A** NBR  
**B** Cork gasket

### 4 - Valves

**0** Without valves

### 5 - Variants

**0** Standard  
**C** With chain

### 6 - Basket

**0** Without  
**1** L= 65 mm

### 7 - Options

**P01** MP Filtri standard