

fluimac[®]
pump solution



MINI COMPASS

MAG DRIVE PUMPS

Made in
Italy

www.fluimac.com

ENGLISH 

MINI COMPASS

Fluimac MINI COMPASS are single stage, centrifugal impeller and magnetic drive pumps.

The range includes five models to deliver flows from 11 lt/min to 50 lt/min.

Compact dimension, low noise, absence of seals device make thee pumps ideal for application in any place or plant and can be incorporated into sophisticate equipment or “clean” environment.

The Drive magnet, outside the casing and keyed on the spindle, drives the magnetic impeller inside the hermetic casing. In this way, the traditional shaft seal and the consequent leakage problems are eliminated. So, there is no corrosion of the outer parts (motor and bearings) in the environment.

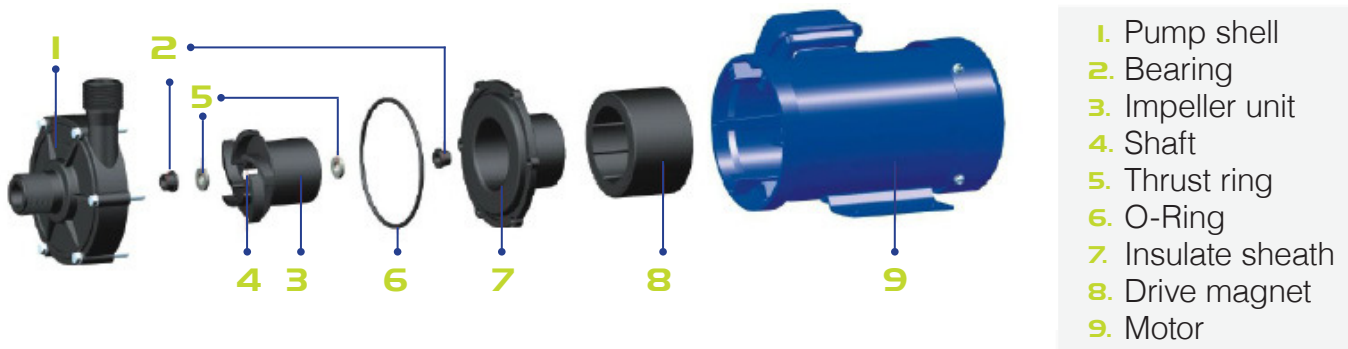
MAIN FEATURES

- Casing and impeller in PP and PVDF
- O-ring in EPDM and VITON
- Shaft/Bearing in ALLUMINA 99,7%+PTFEC
- Max Flow-Rate: 50 lt/min
- Max Delivery Head: 8mt
- Temperature from -5°C to +90°C
- Max Viscosity: 20cps
- Electric Motors from 6W to 65W
- Max S.G.: 1,1

INSTALLATION



POSITIVE SUCTION



1. Pump shell
2. Bearing
3. Impeller unit
4. Shaft
5. Thrust ring
6. O-Ring
7. Insulate sheath
8. Drive magnet
9. Motor

MOTORS

MODEL	POWER	VOLTAGE	FREQUENCY	PROTECTION
MC 10	6W	220/240V	50/60Hz	IP54
MC 20	20W	220/240V	50/60Hz	IP54
MC 30	45W	220/240V	50/60Hz	IP54
MC 30H	45W	220/240V	50/60Hz	IP54
MC 40	65W	220/240V	50/60Hz	IP54

MINI COMPASS



MC 10



MC 20



MC 30

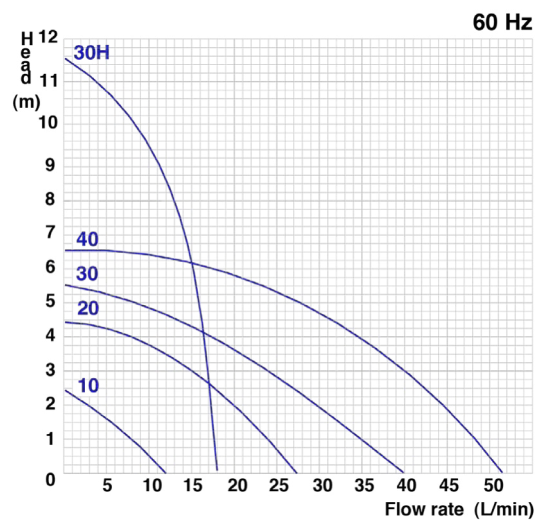
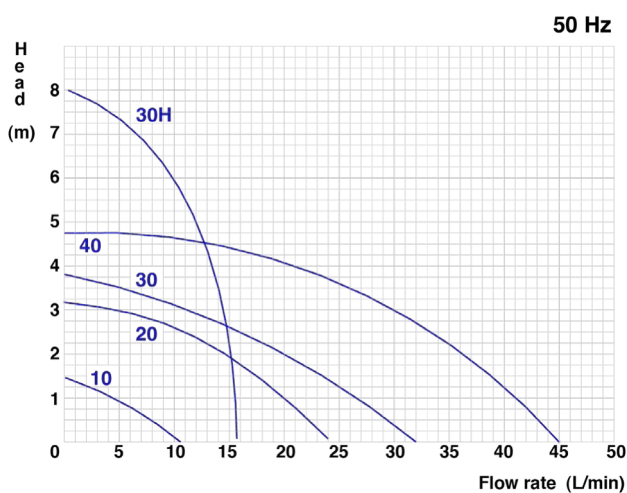


MC 30H

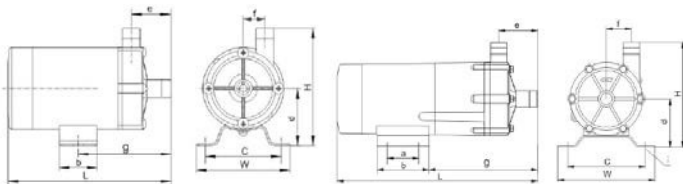


MC 40

PERFORMANCE



DIMENSIONS



MODEL	W	H	L	a	b	c	d	e	F	g	i	INLET/OUTLET	WEIGHT
10	74	83	129	-	30	60	36	31	17	74	2-Ø6	14mm	0,9 Kg
20	85	115	211	30	50	68	56	38.5	28.5	106	5,5 x 10	3/4"	1,9 Kg
30	120	130	248	40	64	100	60	48	31	131	4-Ø9	3/4"	3,1 Kg
30H	120	130	234	40	64	100	60	40	40	120	4-Ø9	3/4"	3,1 Kg
40	120	134	260	45	75	100	64	48	31	137	4-9 x 14	3/4"	3,8 Kg

COMPOSITION

MODEL	CASING	O RING	BUSHING + SHAFT	MOTOR	MOTOR POWER
MC 10					S06 = 6w
MC 20					S20 = 20w
MC 30	P = PP K = PVDF	D = EPDM V = VITON	TA = PTFEC + ALLUMINA 99,7%	1 P = 1PH	S45 = 45w
MC 30H					S45 = 45w
MC 40					S65 = 65w