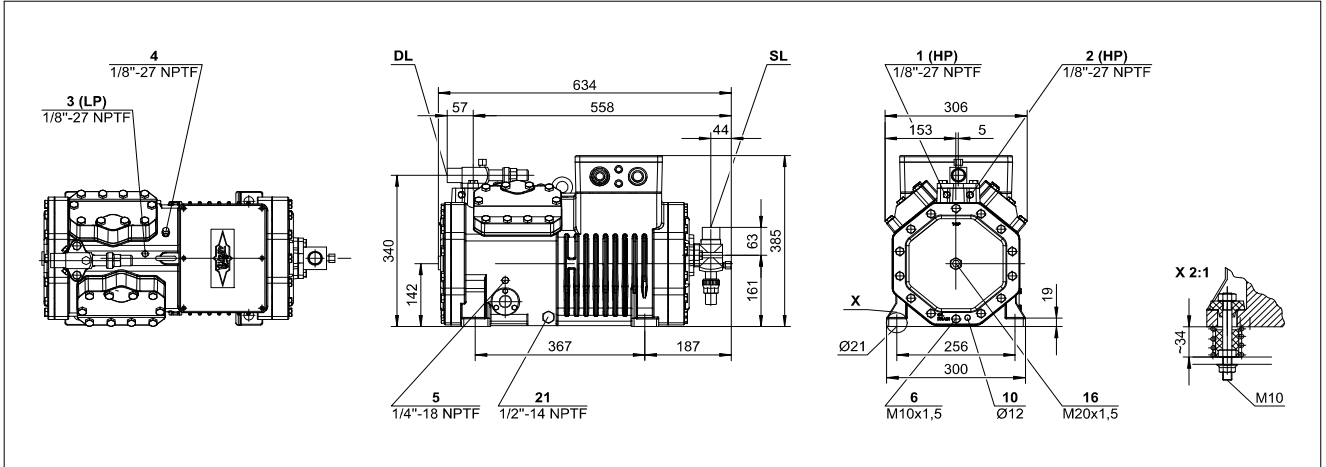




Version 5.3

16.09.2023 /

**: 4PCS-10.2Y-40P**



- (1450 / 50 )	48,50 m3/h
- (1750 / 60 )	58,53 m3/h
( . )	4 x 65 mm x 42 mm
( )	380-420V PW-3-50 Hz
( )	21.0 A
( )	50/50
( )	59.0 A Y / 99.0 A YY
( / )	139 kg
	19 / 28 bar
	35 mm - 1 3/8"
	28 mm - 1 1/8"
R134a/R404A/R507A/R407C	tc<55°C: BSE32 / tc>55°C: BSE55 (Option)
R22 (R12/R502)	B5.2 (Standard)
R290/R1270	SHC226E (Standard)
	2,60 dm
	0..140 W PTC (Option)
	OLC-K1 (Option, not for R290/R1270)
	Option
	Option
	SE-B1
	IP65
	Option
	100-50% (Option)
	Option
	Option
	Standard
	76,5 dB(A) @ 50Hz
	81,0 dB(A) @ 50Hz
	@1 (-10°C/45°C) @50
	68,5 dB(A) @ 50Hz
	@1 (-35°C/40°C) @50
	73,0 dB(A) @ 50Hz

CIC