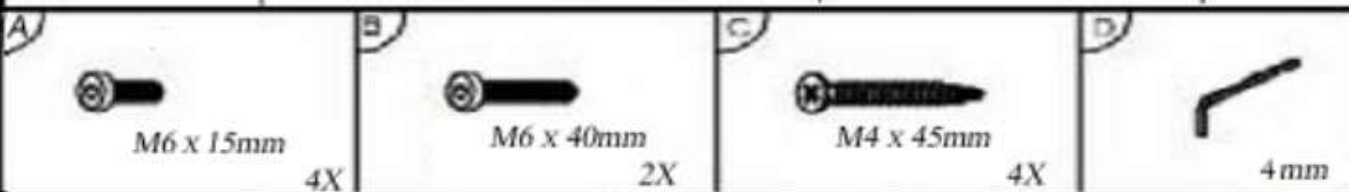
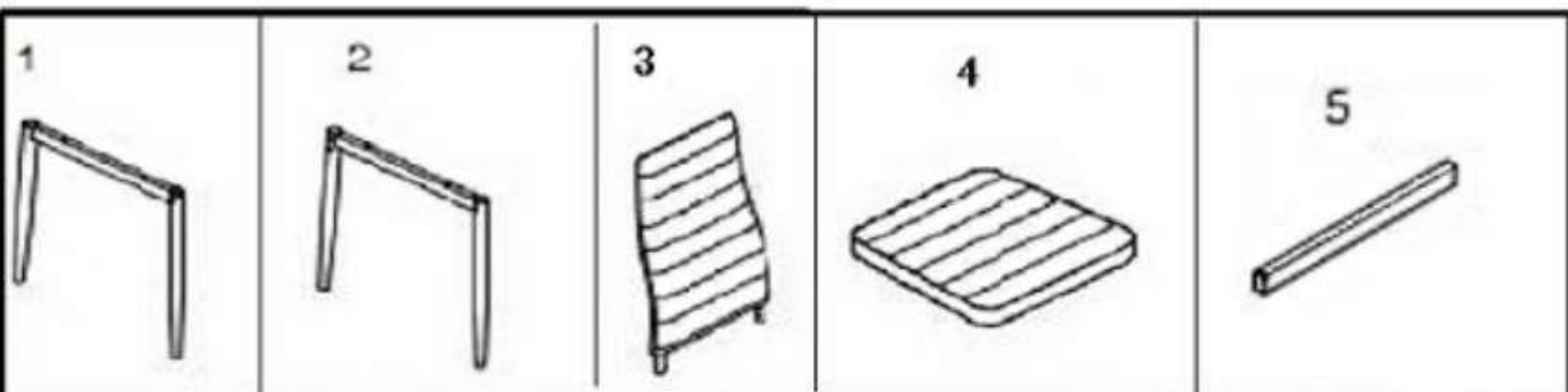


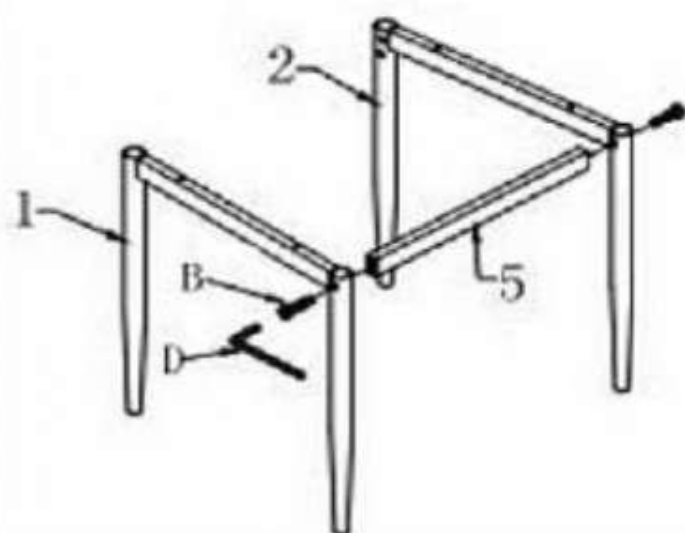
# ASSEMBLY INSTRUCTIONS

## DINING CHAIR C-016

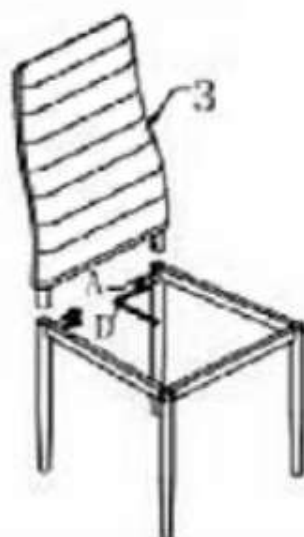


|   |    |
|---|----|
| 1 | 1x |
| 2 | 1x |
| 3 | 1x |
| 4 | 1x |
| 5 | 1x |

### STEP 1



### STEP 2



### STEP 3

