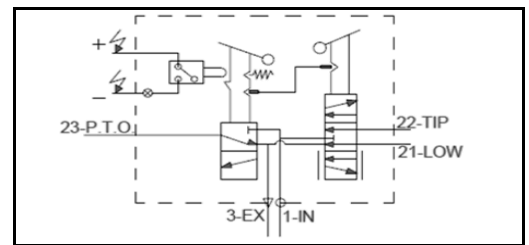


Specifications

Max. air pressure	12	Bar
Min. air pressure	5	Bar
Connections	6	mm
Mounting holes	Ø6	mm
Temperature range min/max	-40 / +80	°C
Weight	0.4	kg
Voltage lamp	24	VDC

Pneumatic symbol



Section	Lever Characteristics		PTO control		Part no.
	TS/LF	TF/LF	PNL	PAL	
1-section	•				14750667H
		•			14750665H
2-section	•		•		14750646H
	•			•	14750652H
		•	•		14750644H
		•		•	14750650H

- TF Lever is fixed in tipping position
- TS Lever has spring return in tipping position
- LF Lever is fixed in lowering position
- PNL P.T.O control has no automatic disengage
- P.T.O control has a lamp
- PAL P.T.O control has an automatic disengage
- P.T.O control has a lamp

Note:

The air control TF/LF is not allowed to be used on a tipper in the EU according Machinery Directive 2006/42/EC, chapter 3.3.1

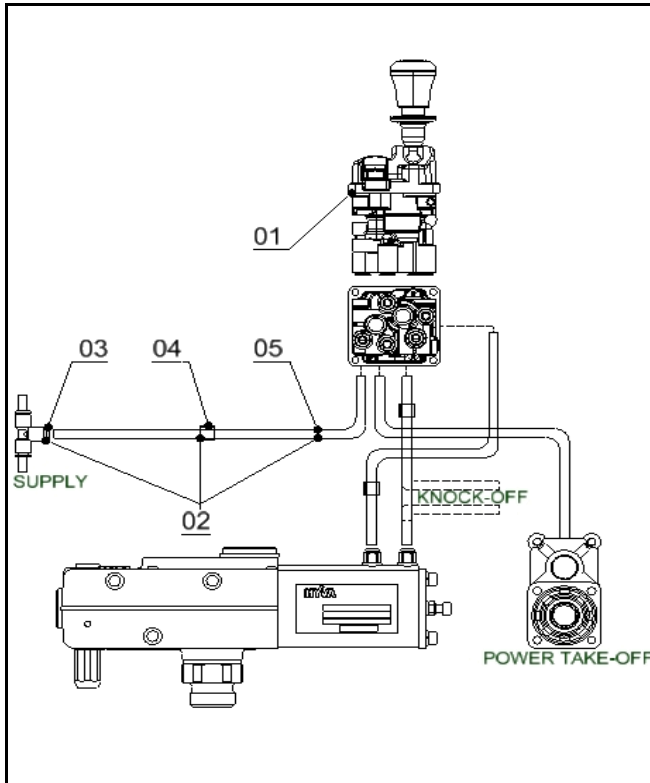
Technical notes

• When used with a compatible tipping valve with proportional lowering, like the Hyva HT tipping valve, the speed of lowering of the body can be regulated by the proportional movement of the air control lever • The air control optionally can include an electrical indicator to show P.T.O. engagement • The functions of the Hyva air controls are indicated on the type plate • Make sure inlet air is dry and clean

Related documentation

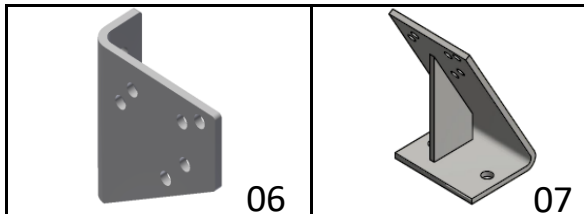
Mounting instructions: AIR-002

Options



POS	Part no.	Description	Qty.
01	147506xxH	Air control	1
02	14750119K	Air tube kit 6mm 25 meter single tub	1
02	14750120K	Air tube kit 6mm 9 meter (3 in 1)	1
02	14750121K	Air tube kit 6mm 9 meter (2 in 1)	1
03	09225005	T-piece 6mm	1
04	14875500	Air tube tie-wrap	8
05	1487500715	Air tube 15m - 4x6 mm	1
05	1487500720	Air tube 20m - 4x6 mm	1
05	1487500725	Air tube 25m - 4x6 mm	1
05	1487500735	Air tube 35m - 4x6 mm	1

Mounting Support



POS	Part no.	Description	Weight (kg)
06	09232002	Support Tip control	0.18
07	09205002	Support Tip control	0.44