

Product Datasheet model uvex ultravision 9301 714

**UVEX ARBEITSSCHUTZ GMBH, Würzburger Str. 181-189,
D-90766 Fürth**


1. Product Characteristics

- classic safety goggle suitable for a wide range of applications
- flexible face seal naturally moulds to any facial shape
- generous internal volume accommodating prescription spectacles and frame recesses to locate the side arms ensuring a comfortable fit
- indirect ventilation system increases air circulation
- length-adjustable textile headband for a secure fit and individual adaptability
- cellulose acetate lens featuring anti-fog performance on the inside and UV380 protection
- a sustainable benefit: lenses can be replaced when required
- metal-free

2. Technical Details Body**Frame**

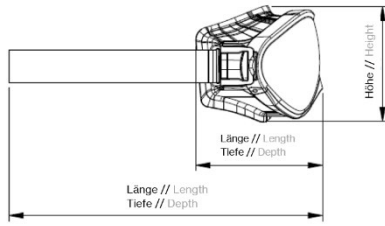
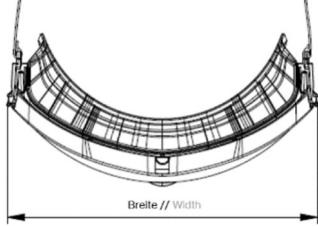

Material	PVC
Version	indirect ventilation
Colour	transparent grey

Headband	
Material	synthetic
Features	Individually adjustable
Colour	anthracite, lime
Headband Hooks	
Material	PC
Colour	lime
Marking	
Manufacturer 's ID code	W
Applicable EN norm	166
Field of use	3 (drops and splashes of liquid) 4 (large dust particles)
Impact resistance	F (45 m/s)
Conformity symbol	CE

3. Technical Details Lens	
Material	CA
Thickness	1,2 mm at PD
Coating	anti-fog on the inside
Colour	clear
UV protection	UV380
Replacement lens	9300517
Marking	
Filter	2C-1,2 (EN 170)
Manufacturer 's ID code	W
Optical class	1
Impact resistance	F (45 m/s)
Antifog	N
Conformity symbol	CE
Factory symbol	

4. Logistical Information

Product

Weight	116g	
Dimensions (L x W x B) in approx. mm	  <p style="text-align: right; font-size: small;">picture only for reference</p>	
	110 x 195 x 80	
	Packing unit 1	Packing unit 2
EAN Code	4031101068008	4031101068008
Quantity in pcs.	1	80
Dimensions (L x W x H) in approx. mm	 <p style="text-align: center; font-size: small;">picture only for reference</p>	
	110 x 195 x 80	600 x 400 x 400
Net weight in approx. g	116	9,280
Gross weight in approx. g	134	11,670
Country of Origin	Czech Republic	

5. Miscellaneous

Standards	EN 166 + EN 170
PPE Category	Category II