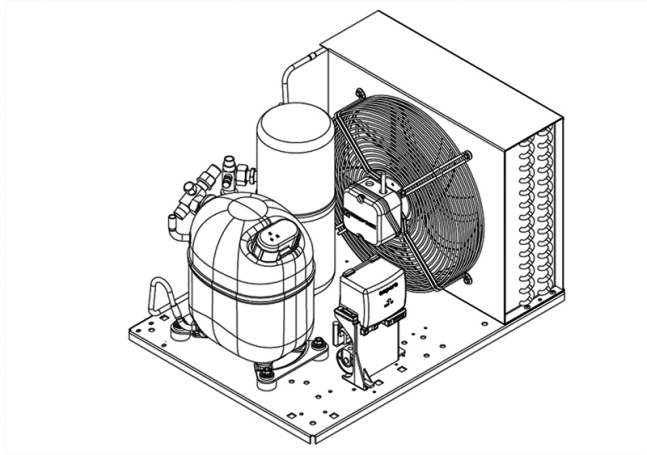


USNJ9232GK



ENGINEERING CODE
643NA5604TA



REFRIGERANT
R-404A



POWER SUPPLY
220-240 V 50 Hz



APPLICATION
HBP



MOTOR TYPE
CSR



STANDARD
ASHRAE



COOLING CAPACITY
3734 W



EFFICIENCY
2.19 W/W

CE

ECODESIGN
COMPLIANT

DATA

GENERAL DATA

Model USNJ9232GK

ELECTRICAL DATA

Locked Rotor Amperage (LRA) 43.00 A

Rated Load Amperage (RLA) 7.78 A

Maximum Overcurrent Protection (MOP) 17.50 A

Minimum Current Ampacity (MCA) 9.7 A

ACCESSORIES

Discharge valve SOLDER 1/2" 2110050

Suction valve SOLDER 5/8" 2110054

CONDENSING COMPONENTS

Compressor NJ9232GK M/HBP

Condenser 4R14T 2451199

Refrigerant R-404A

Expansion Device C-V

Fan Blade Diameter null mm

Fankit S4E300-XX 1996589

MECHANICAL DATA

Air Flow	1300 m ³ /h
Height	372 mm
Receiver	3.9 L
Shaft Power	95 W
Weight	46 Kg
Width	440 mm
Length	600 mm

PERFORMANCE

TESTED CONDITIONS

Tested Refrigerant	R-404A
Tested Application	HBP
Tested Standard	ASHRAE

RATED POINTS

Ambient Temperature °C	Evaporating Temperature °C	Cooling Capacity W	Efficiency W/W	Consumo de Potencia W
32	7.2	3734	2.19	1703

Test Condition: Subcooling 3 K, Return Gas 32 °C.

PERFORMANCE CURVE

Ambient Temperature 25°C

Evaporating Temperature °C	Cooling Capacity W	Efficiency W/W	Consumo de Potencia W
-20	1761	1.73	1015
-15	2176	1.96	1108
-5	3047	2.31	1321
0	3515	2.44	1440
5	4012	2.56	1565
10	4545	2.68	1697

Test Condition: Subcooling 3 K, Return Gas 32 °C.

PERFORMANCE CURVE

Ambient Temperature 32°C

Evaporating Temperature °C	Cooling Capacity W	Efficiency W/W	Consumo de Potencia W
-20	1531	1.46	1050
-15	1887	1.64	1152
-5	2651	1.92	1383
0	3071	2.03	1509
5	3523	2.14	1643
10	4015	2.25	1782

Test Condition: Subcooling 3 K, Return Gas 32 °C.

PERFORMANCE CURVE

Ambient Temperature 43°C

Evaporating Temperature °C	Cooling Capacity W	Efficiency W/W	Consumo de Potencia W
-20	1237	1.15	1073
-15	1523	1.29	1185
-5	2161	1.51	1434
0	2526	1.61	1569
5	2929	1.71	1711
10	3376	1.82	1858

Test Condition: Subcooling 3 K, Return Gas 32 °C.

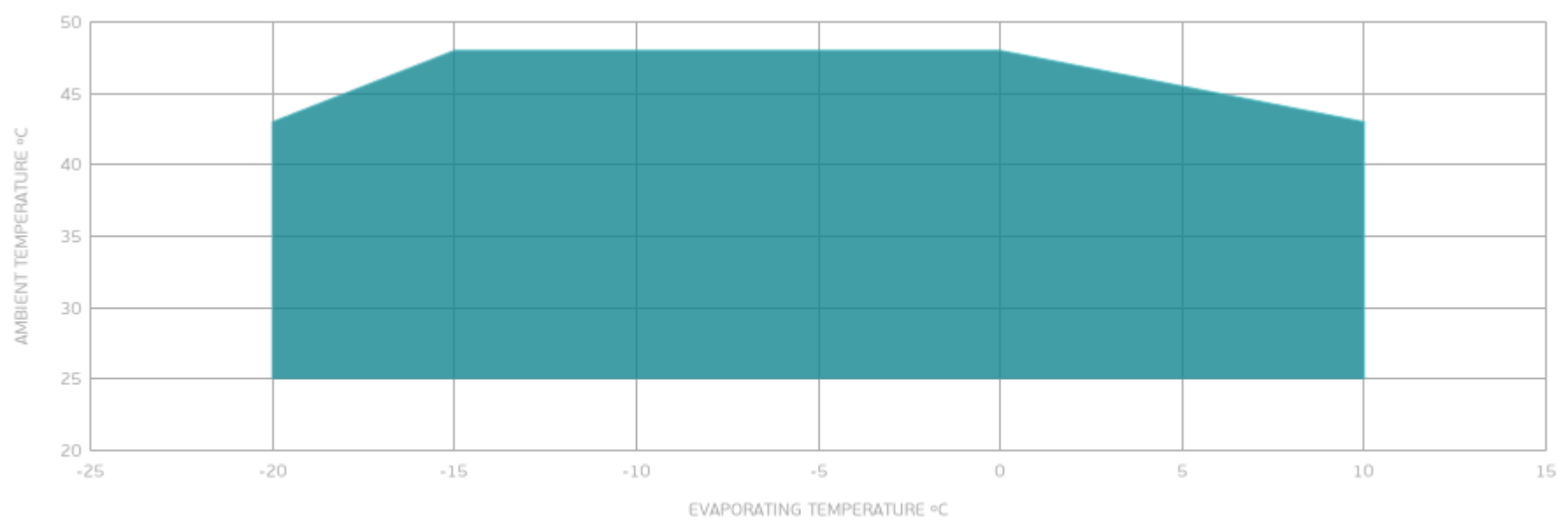
PERFORMANCE CURVE

Ambient Temperature 48°C

Evaporating Temperature °C	Cooling Capacity W	Efficiency W/W	Consumo de Potencia W
-10	1661	1.26	1317
-5	1975	1.36	1448
0	2323	1.47	1586

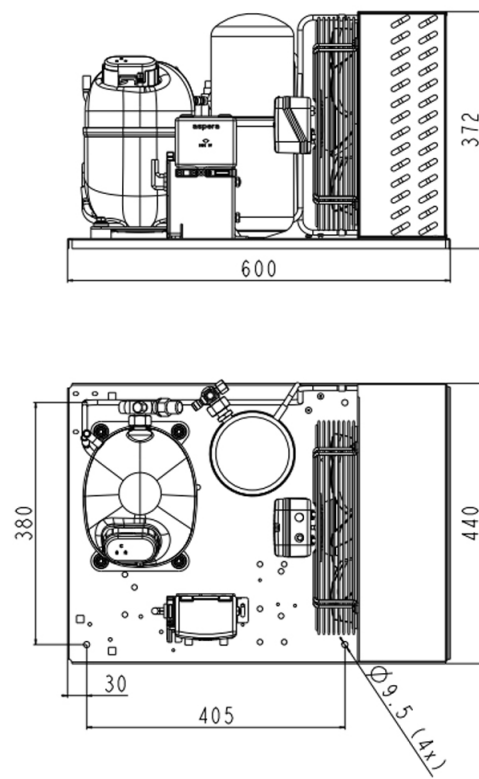
Test Condition: Subcooling 3 K, Return Gas 32 °C.

ENVELOPE



■ OPERATING CONDITION

EXTERNAL DIMENSIONS



WIRING DIAGRAM

