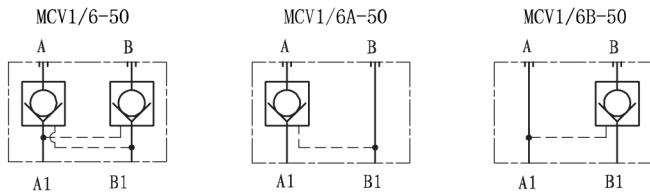


MCV

MCV SERIES MODULAR PILOT CONTROLLED CHECK VALVES

SYMBOL

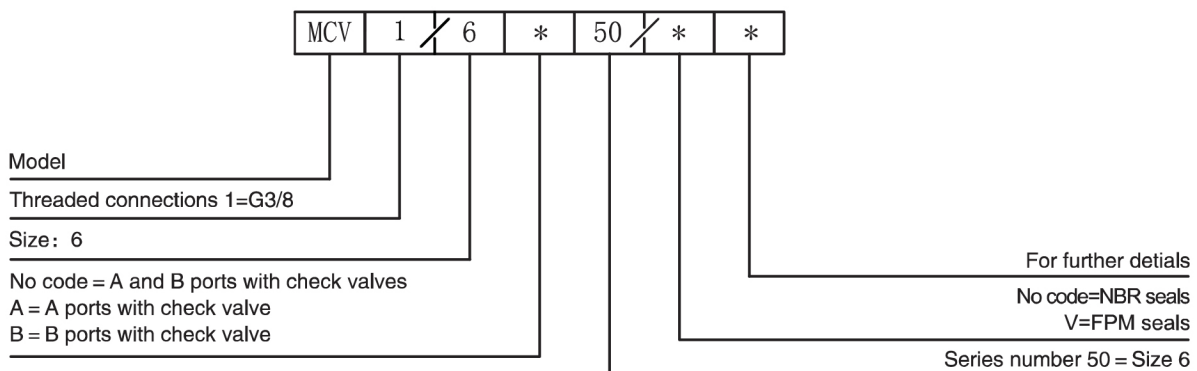


MCV series are pilot operated style sandwich valves. These valves used to close one or two actuator ports.

Technical data

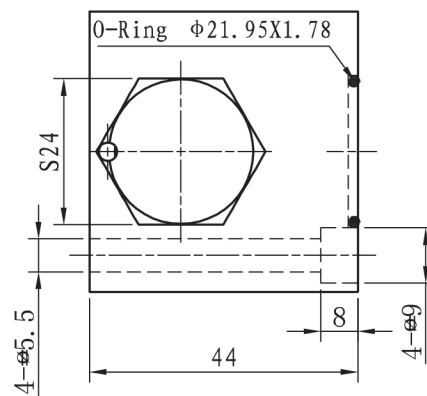
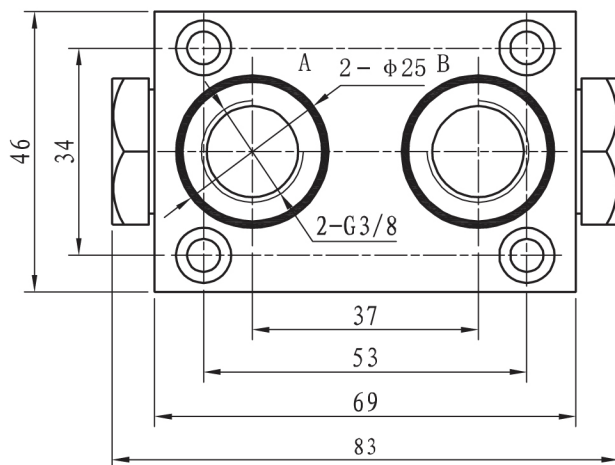
Model	MCV
Max flow rate (L/min)	40
Operating pressure (MPa)	31.5
Pilot ratio	3:1
Valve body (Material) Surface treatment	casting phosphating surface
Oil cleanliness	NAS class 1638 ISO4406 class 20/18/15

Ordering Details



External Dimensions and Fittings

MCV1/6-50



MCV1/6A-50(MCV1/6B-50)

