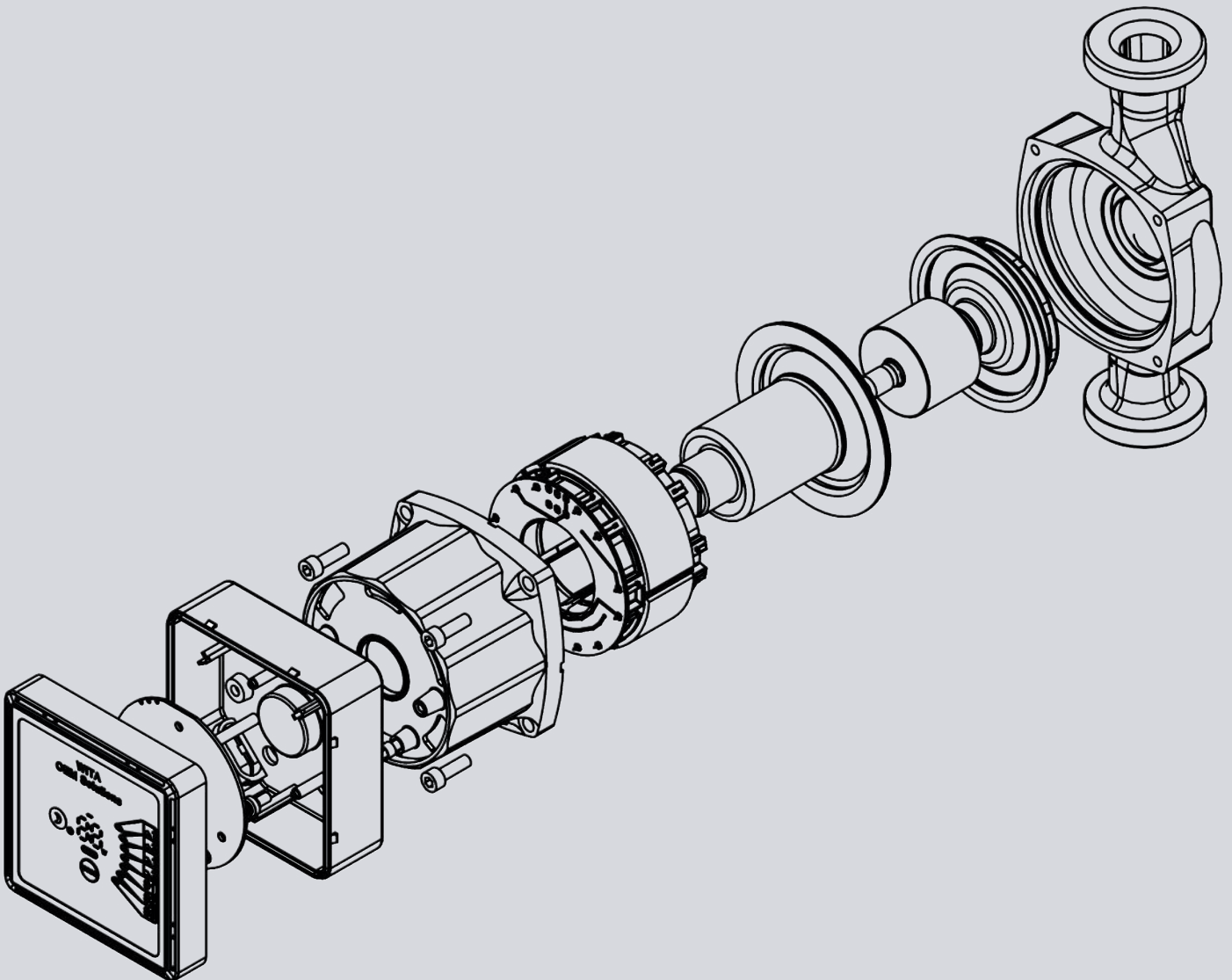


NUR ORIGINAL MIT DER RAUTE®



QUALITY THAT REMAINS.

Pump technology | Valve technology | Drive technology | Mixing technology



WITA OEM Solutions



WITA - Wilhelm Taake GmbH

The innovative company WITA® has been developing and producing high-quality circulation pumps for 60 years. Based in Bad Oeynhausen, we employ motivated employees both here and at our second location in Poland. Our production specializes in pumps, valves, drive and mixing technology.

Highest quality standards, reflection and efficiency of modern Manufacturing methods of our products are always in the foreground of our company philosophy. We can therefore look back on decades of cooperation between the SHK wholesalers and the skilled trades. Due to the customer orientation of our growing and globally operating company, in addition to the communicative exchange again and again creative and novel ideas that are in marketable products are further developed.



The employees are due to their high level of competence and motivation essential guarantors for the quality of the products. The realization and Implementation of the quality policy is the task of all employees of WITA - Wilhelm Taake GmbH. The management and executives have a special responsibility. The implementation is supported by a quality management system that was developed over a period of several years and is constantly being further developed with the involvement of the employees. The QM system relates to all areas i.e. production and sales. The focus is on the work processes that are regulated and described in a binding manner and are supported by aids.

Advantages of our pumps

- Individual private label with special solutions in the OEM variant
- Highest degree of efficiency thanks to ECM technology
- Integrated motor protection
- Versatile range of uses thanks to cathodization-coated gray cast iron Pump bases
- WITA high-efficiency pump heads are downward compatible with most of the earlier series



Content

HE OEM 1 40 50 60	5
HE OEM 2 40 60	6
HE OEM 2 80 100 120	7
HE OEM 4 40 60 80	8
WITA OEM Solutions Individual customer requests	9



HE OEM 1 | 40 | 50 | 60

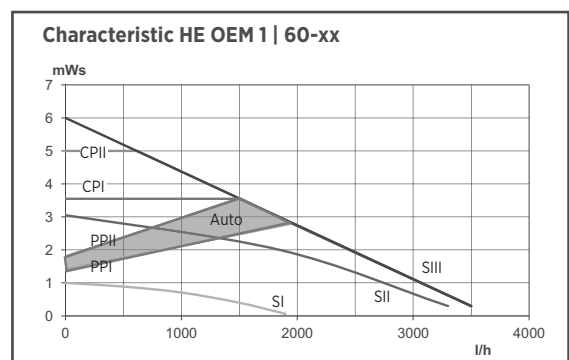
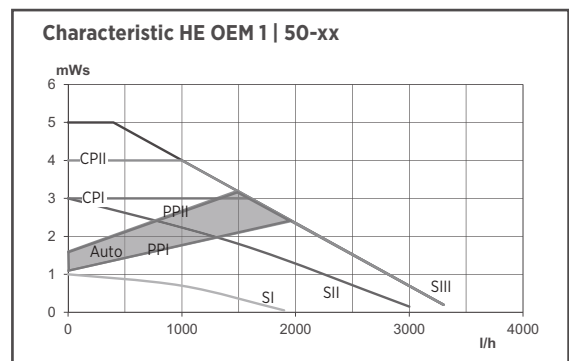
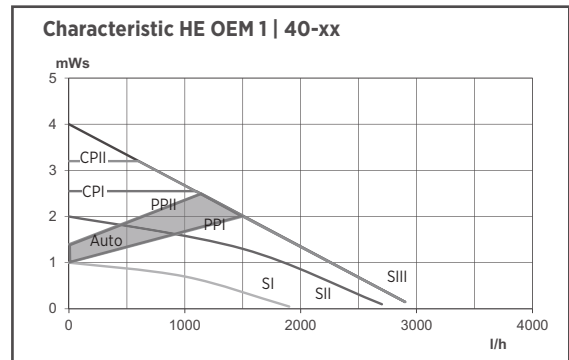
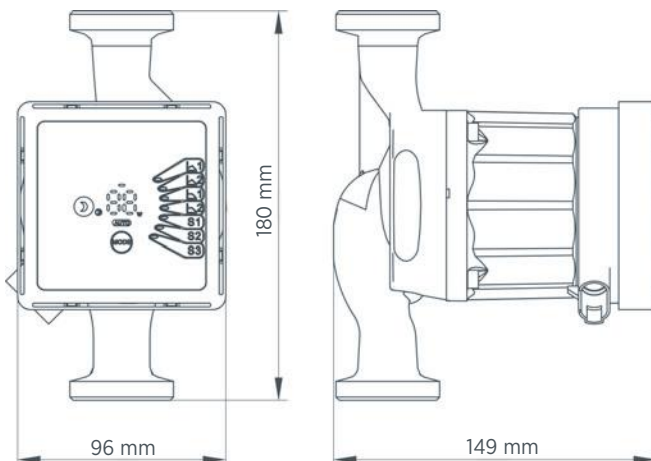
Product features

- 5 year guarantee
- automatic night setback
- SMART adapt
- LED consumption display
- Anti-lock function
- Power range can be switched between 4m, 5m and 6m.



Technical data

Maximum delivery height	4.0 m 5.0 m 6.0 m
Maximum flow	2,800 l/h 3,300 l/h 3,500 l/h
Power consumption	23 W 32 W 41 W
Control	3 constant characteristics, 2 constant pressure characteristics, 2 proportional characteristics
Additional function	automatic night reduction, LED consumption display, anti-blocking function
Supply voltage	1 x 230V, 50 Hz
Motor protection	no external motor protection required
Protection class	IP 42
Ambient temperature	0 ° C to +40 ° C
Media temperature	+5 ° C to +110 ° C
Temperature class	TF 110 according to DIN EN 60335-2-51
System pressure max.	10 bar
Connection size	DN 15, DN 20, DN 25, DN 32
Installation length	110 mm, 130 mm, 180 mm
Material pump housing	130 mm, 180 mm grey cataphoresic coated; 110 mm, 130 mm brass
EEI	OEM 1 40 50 60 ≤ 0,20





HE OEM 2 | 40 | 60

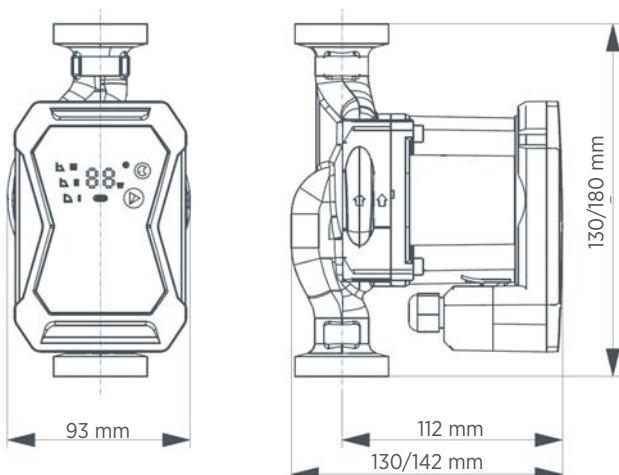
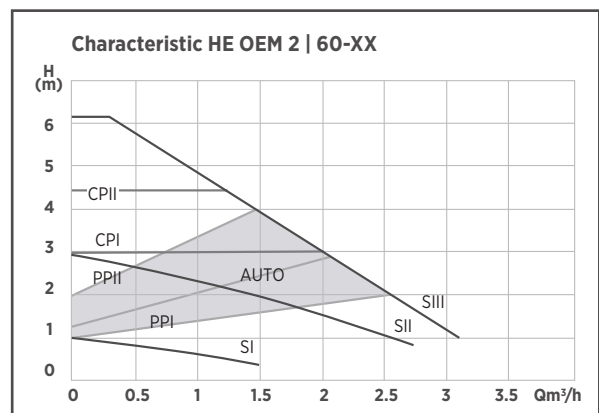
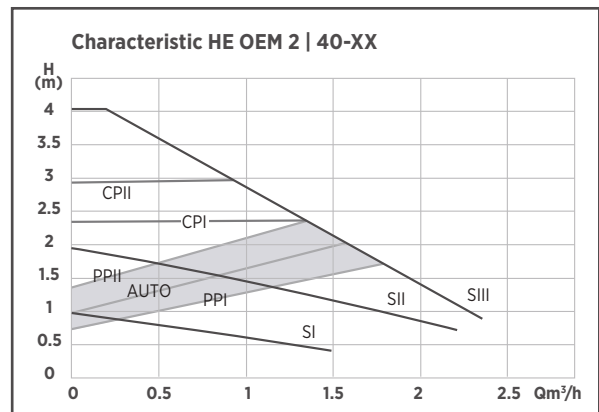
Product features

- 5 year guarantee
- automatic night setback
- SMART adapt
- Power range can be converted from 4m to 6m
- LED consumption display
- Anti-lock function



Technical data

Maximum delivery height	4.0 m 6.0 m
Maximum flow rate	2,800 l/h 3,600 l/h
Power consumption	3 - 25 W 3 - 45 W
Control	3 constant characteristics, 2 constant pressure characteristics, 2 proportional characteristics
Additional function	automatic night reduction, LED consumption display, anti-blocking function
Supply voltage	1 x 230V, 50 Hz
Motor protection	no external motor protection required
Protection class	IP 42
Ambient temperature	0 °C to +40 °C
Media temperature	+5 °C to +110 °C
Temperature class	TF 110 according to DIN EN 60335-2-51
System pressure max.	10 bar
Connection size	DN 20, DN 25, DN 32
Installation length	130 mm, 180 mm
Material pump housing	grey cast iron cataphoresic coated
Weight including insulation	2.5 kg
EEI	OEM 2 40 60 ≤ 0,20





HE OEM 2 | 80 | 100 | 120

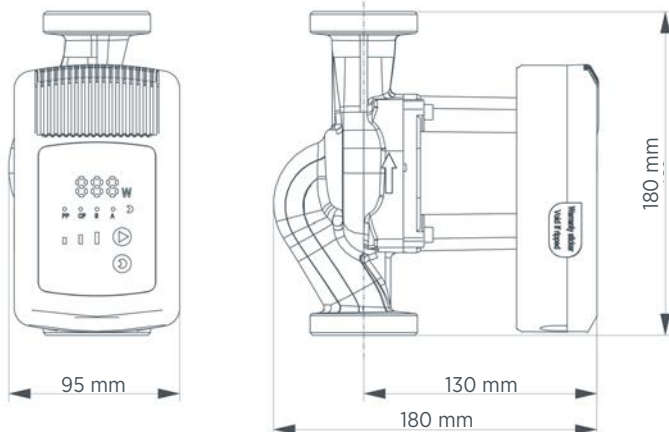
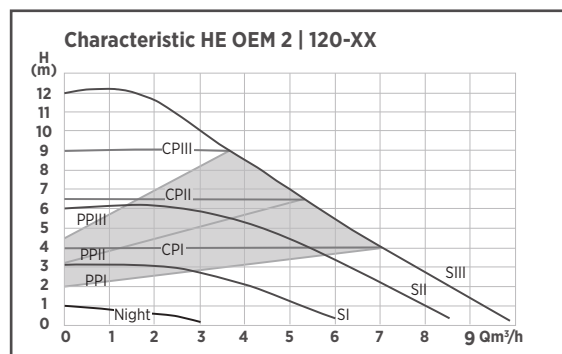
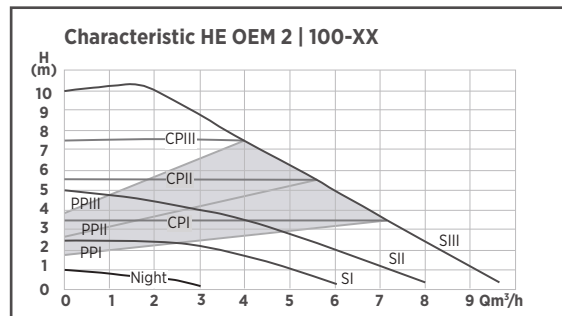
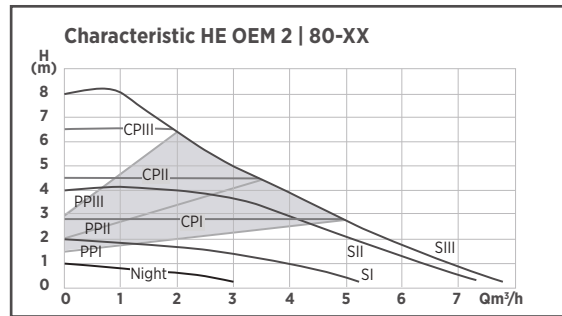
Product features

- 5 year guarantee
- automatic night setback
- SMART adapt
- LED consumption display
- Anti-lock function
- Can be also supplied as PWM-version;
Including a feedback signal or without that



Technical data

Maximum delivery height	8.0 m 10.0 m 12.0 m
Maximum flow	8,000 l/h 9,000 l/h 10,000 l/h
Power consumption	80 W 120 W 180 W
Control	3 constant characteristics, 3 constant pressure characteristics, 3 proportional characteristics
Additional function	automatic night reduction, LED consumption display, anti-blocking function
Supply voltage	1 x 230V, 50 Hz
Motor protection	no external motor protection required
Protection class	IP 42
Ambient temperature	0 ° C to +40 ° C
Media temperature	+5 ° C to +110 ° C
Temperature class	TF 110 according to DIN EN 60335-2-51
System pressure max.	10 bar
Connection size	DN 25, DN 32
Installation length	180 mm
Material pump housing	grey cast iron cataphoresic coated
Weight including insulation	2.5 kg
EEI	OEM 2 80 100 120 ≤ 0,23





HE OEM 4 | 40 | 60 | 80

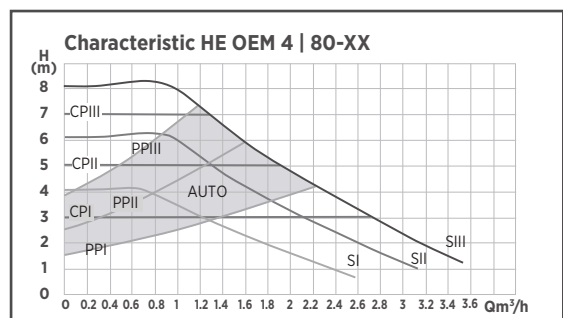
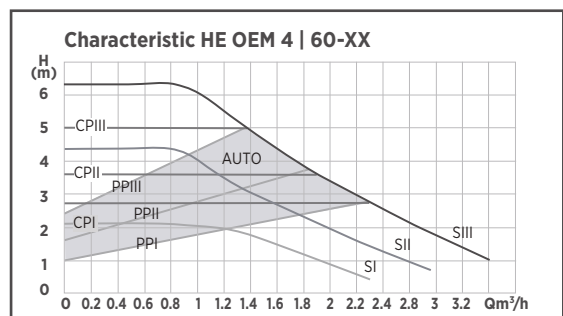
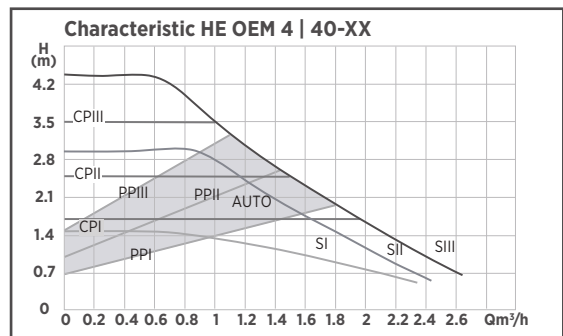
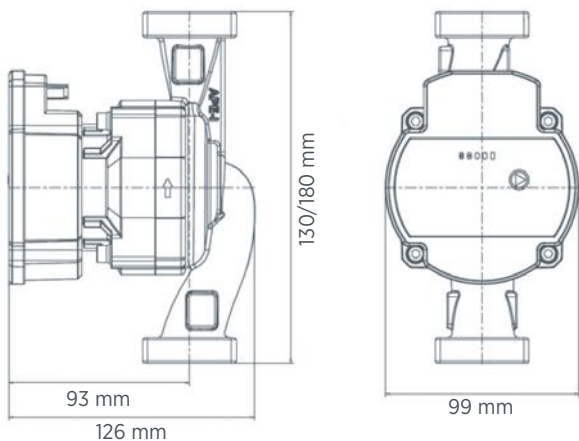
Product features

- 5 year guarantee
- SMART adapt
- Anti-lock function
- Can be also supplied as PWM-version;
Including a feedback signal or without that



Technical data

Maximum delivery height	4,0 m 6,0 m 8,0 m
Maximum flow	2600 l/h 3200 l/h 3500 l/h
Power consumption	25 W 45 W 65 W
Control	3 constant characteristics, 3 constant pressure characteristics, 3 proportional characteristics
Additional function	SMART-Adapt, anti-blocking function
Supply voltage	1 x 230V, 50 Hz
Motor protection	no external motor protection required
Protection class	IP 44
Ambient temperature	0 °C to +40 °C
Media temperature	+2 °C to +110 °C
Temperature class	TF 110 according to DIN EN 60335-2-51
System pressure max.	10 bar
Connection size	DN 20, DN 25, DN 32
Installation length	130 mm, 180 mm
Material pump housing	grey cast iron cataphoresic coated
EEI	OEM 4 40 60 ≤ 0,20 OEM 4 80 ≤ 0,21





WITA OEM Solutions Individual customer requests

HE OEM1 | 40 | 50 | 60

- Overall length: 130mm 180mm
- Maximum head: 4m 5m 6m
- Connection thread: 1"AG 1 ¼ "AG 1 ½ " AG 2"AG

Pump plug: _____

Pump plug with preassembled connection cable: _____



HE OEM2 | 40 | 60

- Overall length: 130mm 180mm
- Maximum head: 4m 6m
- Connection thread: 1 ¼ "AG 1 ½ " AG 2"AG

Pump plug: _____

Pump plug with preassembled connection cable: _____



HE OEM2 | 80 | 100 | 120

- Overall length: 180mm
- Maximum head: 8m 10m 12m
- Connection thread: 1 ½ " AG 2"AG

Pump plug: _____

Pump plug with preassembled connection cable: _____

PWM





WITA OEM Solutions Individual customer requests

HE OEM4 | 40 | 60 | 80

- Overall length: 130mm 180mm
- Maximum head: 4m 6m 8m
- Connection thread: 1 ¼" AG 1 ½" AG 2" AG

Pump plug: _____

Pump plug with preassembled connection cable: _____

PWM



Your special requests:

e.g.: your own logo, special colors, packaging, your own BDA



WITA - Wilhelm Taake GmbH

Böllingshöfen 85
32549 Bad Oeynhausen
Germany

Do you have any further questions or requests?
Contact us!

Phone: 05734 / 512380

Fax: 05734 / 1752

info@wita.de

www.wita.de