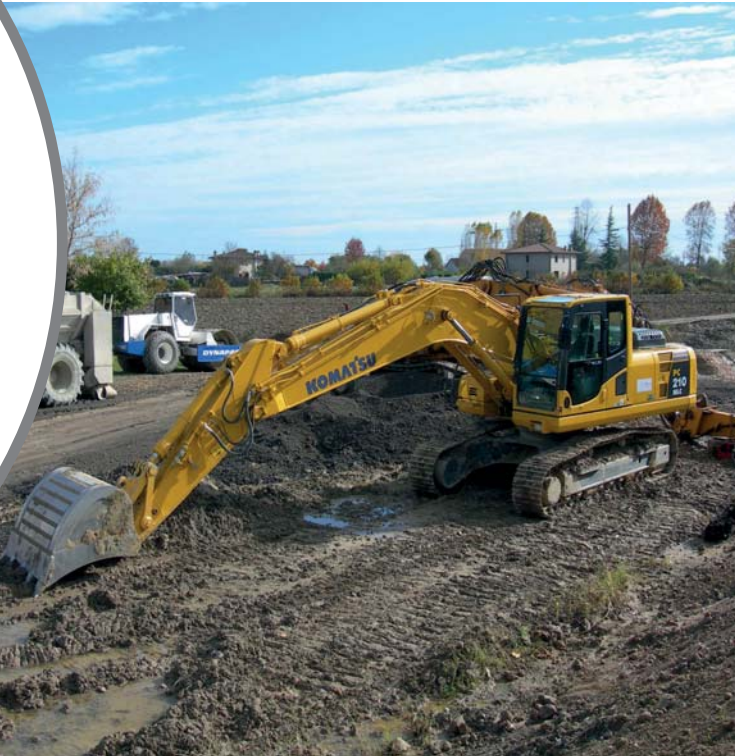





+ GB1

2-WAY HIGH PRESSURE BALL VALVES




CARBON STEEL

- Type: ball valve GB 2 way 
- Body: round
- Material: 1,0570
- Ball seats: from DN32 up to DN50
- O-Rings: NBR, FKM, EPDM, MVQ
- Operating pressure: 420 Bar depending on valve size and seal materials selected
- Temp range: -30°C to +100°C depending on seal material selected (body -46°C)

GB1	G 1 1/2	DN32	L	L	1	1	A	B
-----	---------	------	---	---	---	---	---	---

Type and way of valve	GAS DIN/ISO 228 BSP	NPT ANSI/ASME B1.20.1	SAE J1926-1	Nominal dimension	Body material	Adapter material	Stem material	Ball material	Ball seat material	Adapter and stem seal material
GB1 2-way	G 1 1/4 G 1 1/2 G 2	N 1 1/4 N 1 1/2 N 2	SAE20 SAE24 SAE32	DN32 DN40 DN50	L 1,0570	L 1,0570	1 1,0737	1 1,0737	A POM D PEEK G PA612 K GEMPTFE C PTFE	B NBR E FKM F EPDM L MVQ

STAINLESS STEEL

- Type: ball valve GB 2 way 
- Body: round
- Material: 1,4404
- Ball seats: from DN32 up to DN50
- O-Rings: NBR, FKM, EPDM, MVQ
- Operating pressure: 420 Bar depending on valve size and seal materials selected
- Temp range: -30°C to +100°C different temperatures on request

GB1	G 1 1/2	DN32	4	4	4	4	A	B
-----	---------	------	---	---	---	---	---	---

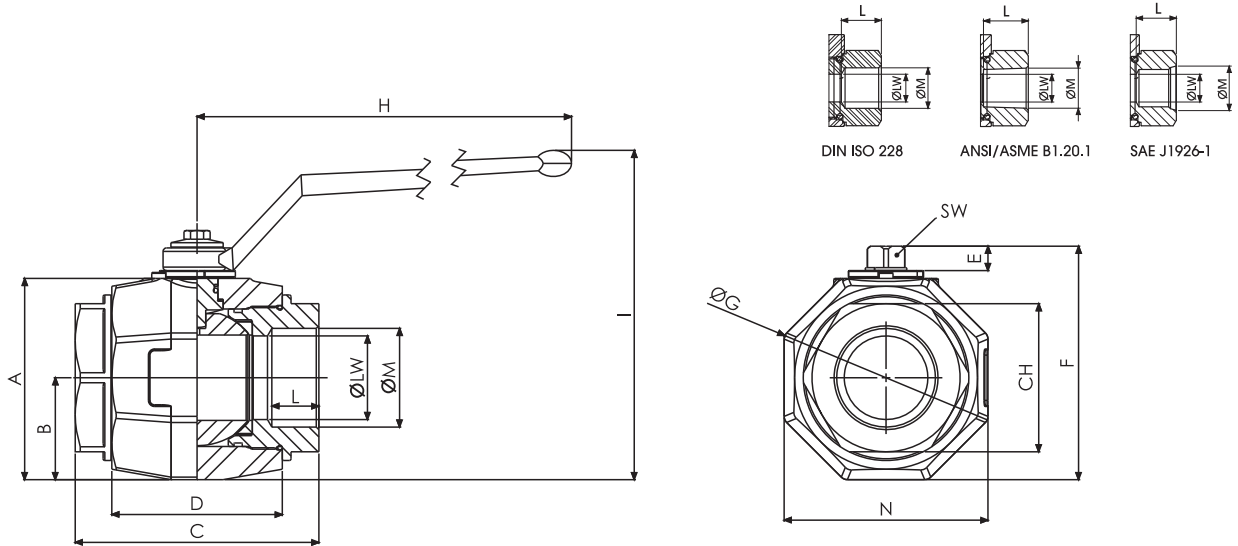
Type and way of valve	GAS DIN/ISO 228 BSP	NPT ANSI/ASME B1.20.1	SAE J1926-1	Nominal dimension	Body material	Adapter material	Stem material	Ball material	Ball seat material	Adapter and stem seal material
GB1 2-way	G 1 1/4 G 1 1/2 G 2	N 1 1/4 N 1 1/2 N 2	SAE20 SAE24 SAE32	DN32 DN40 DN50	4 1,4404	4 1,4404	4 1,4404	4 1,4404	A POM D PEEK G PA612 K GEMPTFE C PTFE	B NBR E FKM F EPDM L MVQ



+ GB1

2-WAY HIGH PRESSURE BALL VALVES

Specialist in Ball Valves



GB1 DIN/ISO 228 BSP

Standard

TYPE	PN	DN	A	B	C	D	E	F	ØG	H	I	L	ØM	N	CH	SW	ØLW	KG	CARBON STEEL	STAINLESS STEEL
																			ITEM CODE	ITEM CODE
GB1 G 1 1/4	42 MPa	32	89	43	115	75	14	108	92	310	163	24	G 1 1/4	85	70	17	32	4,489	GB1GGT6GOL1A000	GB1GGT6G044A000
GB1 G 1 1/2	42 MPa	40	106	52,5	131	85	14	124,5	113	310	180	25	G 1 1/2	105	80	17	40	4,993	GB1GGT7GOL1A000	GB1GGT7G044A000
GB1 G 2	42 MPa	50	116	59	140	98	14	134	126	310	189	27	G 2	117	85	17	50	8,708	GB1GGT8GOL1A000	GB1GGT8G044A000

GB1 ANSI/ASME B1.20.1 NPT

Standard

TYPE	PN	DN	A	B	C	D	E	F	ØG	H	I	L	ØM	N	CH	SW	ØLW	KG	CARBON STEEL	STAINLESS STEEL
																			ITEM CODE	ITEM CODE
GB1 N 1 1/4	42 MPa	32	89	43	115	75	14	108	92	310	163	24	N 1 1/4	85	70	17	32	4,489	GB1NNT6GOL1A000	GB1NNT6G044A000
GB1 N 1 1/2	42 MPa	40	106	52,5	131	85	14	124,5	113	310	180	25	N 1 1/2	105	80	17	40	4,993	GB1NNT7GOL1A000	GB1NNT7G044A000
GB1 N 2	42 MPa	50	116	59	140	98	14	134	126	310	189	27	N 2	117	85	17	50	8,708	GB1NNT8GOL1A000	GB1NNT8G044A000

GB1 SAE J1926-1

Standard

TYPE	PN	DN	A	B	C	D	E	F	ØG	H	I	L	ØM	N	CH	SW	ØLW	KG	CARBON STEEL	STAINLESS STEEL
																			ITEM CODE	ITEM CODE
GB1 SAE20	42 MPa	32	89	43	115	75	14	108	92	310	163	24	1 5/8 UNF	85	70	17	32	4,489	GB1EEE5GOL1A000	GB1EEE5G044A000
GB1 SAE24	42 MPa	40	106	52,5	131	85	14	124,5	113	310	180	25	1 7/8 UNF	105	80	17	40	4,993	GB1EEE6GOL1A000	GB1EEE6G044A000
GB1 SAE32	42 MPa	50	116	59	140	98	14	134	126	310	189	27	2 1/2 UNF	117	85	17	50	8,708	GB1EEE7GOL1A000	GB1EEE7G044A000

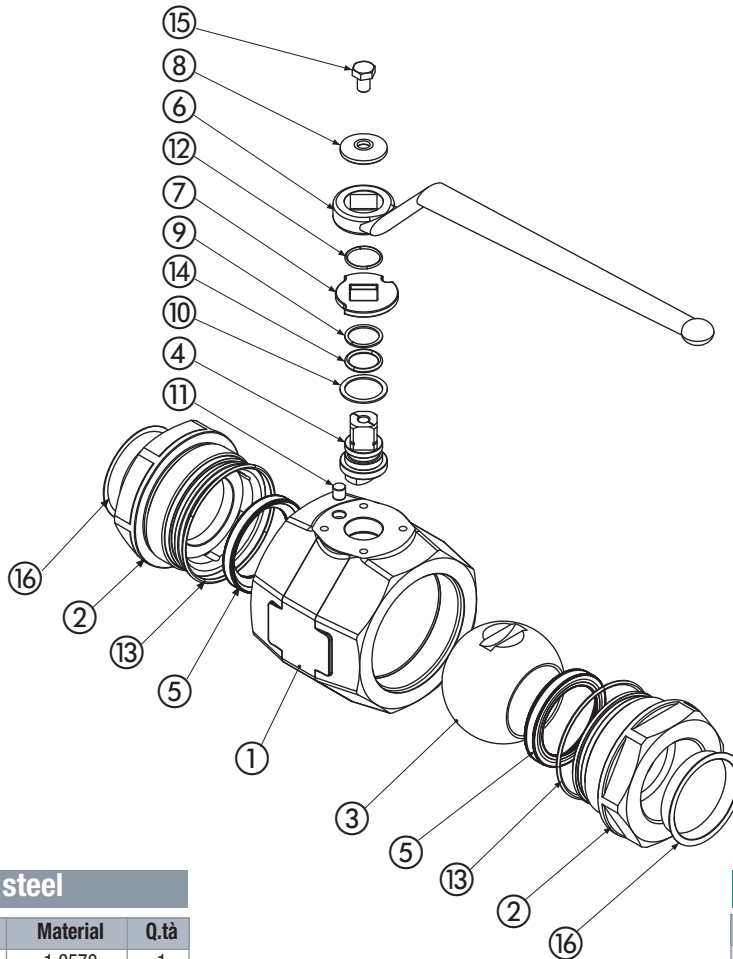
+ GB1

2-WAY HIGH PRESSURE BALL VALVES

www.gemels.it

GB1

2017 - Edition 3



Carbon steel

Pos	Description	Material	Q.tà
1	Body	1,0570	1
2	Adapter	1,0570	2
3	Ball	1,0737	1
4	Stem	1,0737	1
5	Ball seat	POM	2
6	Handle	1,0116	1
7	Washer	1,0116	1
8	Washer	1,0737	1
9	Back-up	PTFE	1
10	Stem ring	POM	1
11	Pin	1,0737	1
12	Seeger	1,4301	1
13	Adapter o-ring	NBR	4
14	Stem o-ring	NBR	1
15	Screw	ISO4017 8.8	1
16	Caps	PVC	2

On request

- Reduced bore
- O-Ring in FKM, EPDM, HNBR, KALREZ
- Seals in PTFE, PEEK, PA612, GEMPTFE, METAL TO METAL
- Special threads
- Stem in stainless steel 1,4404
- Ball in stainless steel 1,4404
- Pressure class up to PN42 MPa
- Pneumatic and electrical actuator
- Security block
- Locking device

Stainless steel

Pos	Description	Material	Q.tà
1	Body	1,4044	1
2	Adapter	1,4044	2
3	Ball	1,4044	1
4	Stem	1,4301	1
5	Ball seat	POM	2
6	Handle	1,4031	1
7	Washer	1,4031	1
8	Washer	1,4031	1
9	Back-up	PTFE	1
10	Stem ring	POM	1
11	Pin	1,4404	1
12	Seeger	1,4301	1
13	Adapter o-ring	NBR	4
14	Stem o-ring	NBR	1
15	Screw	ISO4017 A2	1
16	Caps	PVC	2

On request

- Reduced bore
- O-Ring in FKM, EPDM, HNBR, KALREZ
- Seals in PTFE, PEEK, PA612, GEMPTFE, METAL TO METAL
- Special threads
- Pressure class up to PN42 MPa
- Pneumatic and electrical actuator
- Security block
- Locking device

For further special requests please consult our technical/commercial service