

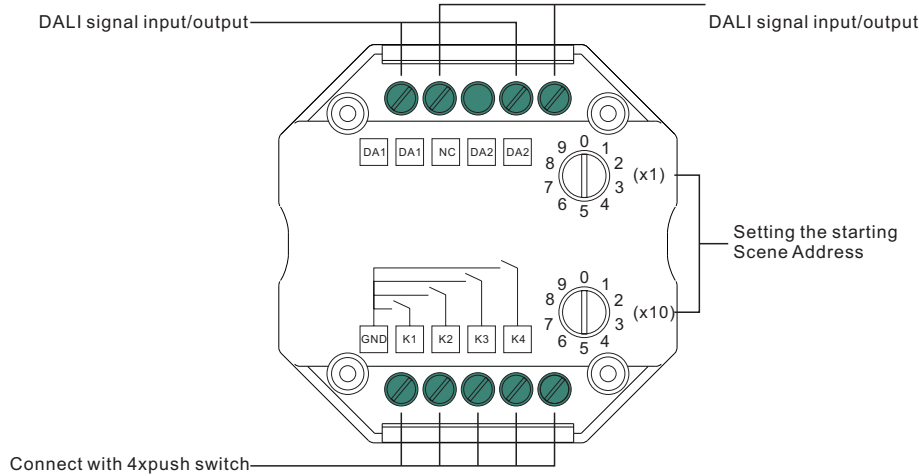
# DALI Module with Momentary Switch

09.240SC.04319



**Important:** Read All Instructions Prior to Installation

## Function introduction



## Product Data

Output Signal	DALI signal
Power Supply	Provided by DALI bus
Power consumption	4 mA
Operating temperature	0-40°C
Relative humidity	8% to 80%
Dimensions	52x52x22.9mm

- Standard DALI Master , control 4 DALI Addresses
- Comply to DALI standard protocol IEC60929 and in compliance with DALI products from other international incorporation.
- With bus detective function, one channel DALI bus can install multiple dimming controllers.
- No external power supply which is provided by DALI bus. Consumption current is 4mA.
- Enable to select 4 different scene addresses for controlling by encoding switch.
- Controlled by external switch, convenient and flexible, with small size, it can be easily placed into 86 X 86 mm box.

## Safety & Warnings

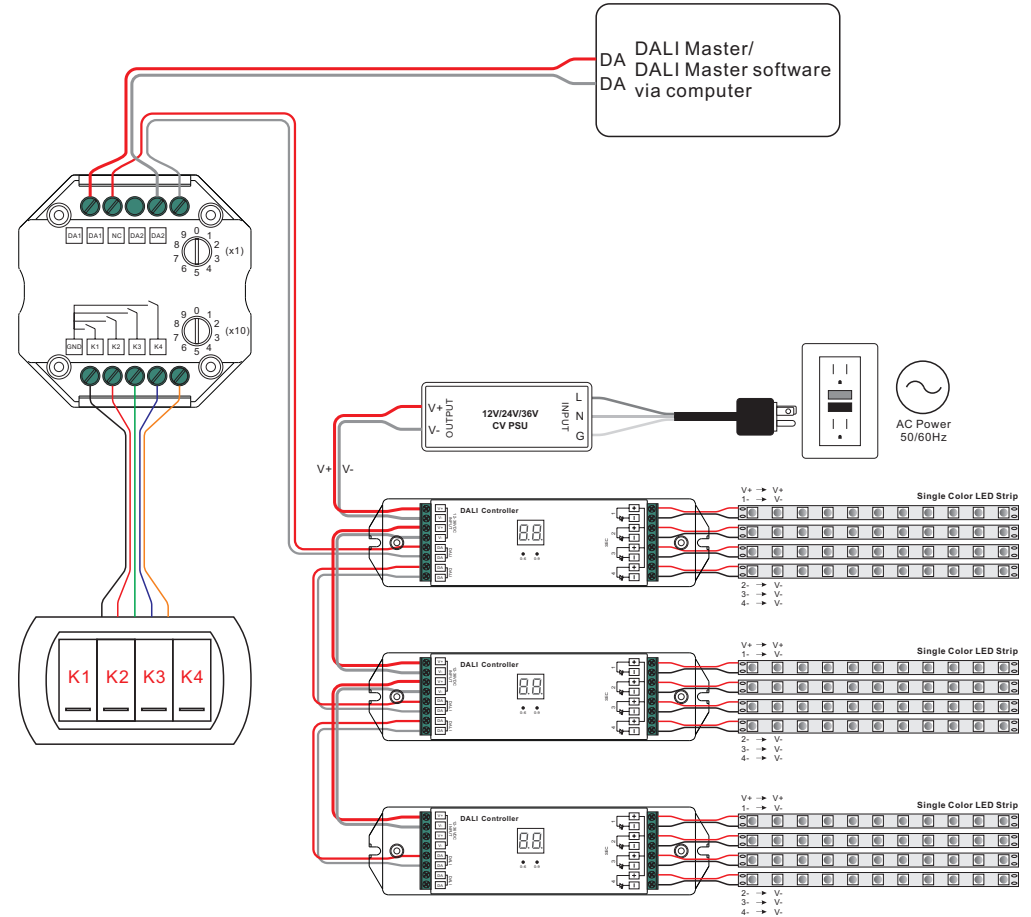
- DO NOT install with power applied to device.
- DO NOT expose the device to moisture.

## Operation

### Set starting number for DALI masters

1. Set the starting number "X" on the DALI controller(with 16 scenes)
2. K1 control X scene , K2 control X+1 scene, K3 control X+2 scene , K4 control X+3 scene

## Wiring diagram



## Product Dimension

