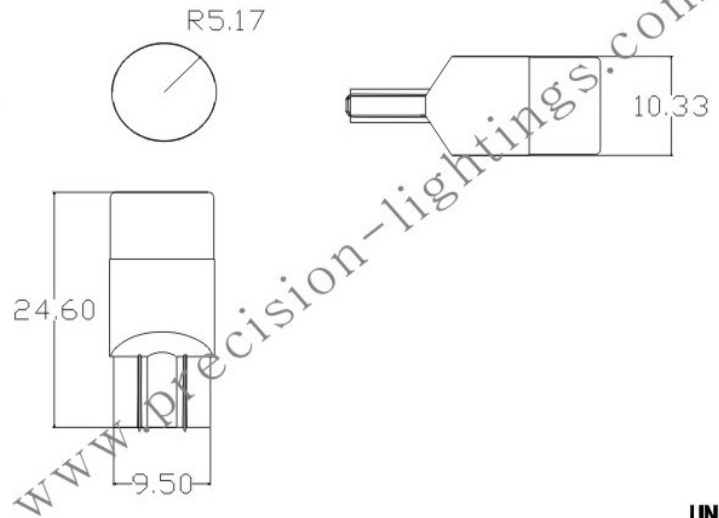


### T10 philips type led lamp



**UNIT: mm**

Item name	Input Current (12v) Unit:A	Power consumption Unit:W	Lumen Flux Unit:Lumens	Beam angle
T10 philips type led lamp	0.03 AC	0.36	32	150
Light Source	Storage Temperature Range Unit:(degree)	Lifespan	Operation Temperature range unit:(degree)	Others
3528SMD	-40 ~ 100	30,000h	-30 ~ 85	12v/AC