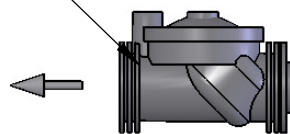


1" BSP



SOCKET 2"



174

Ø 10"

590

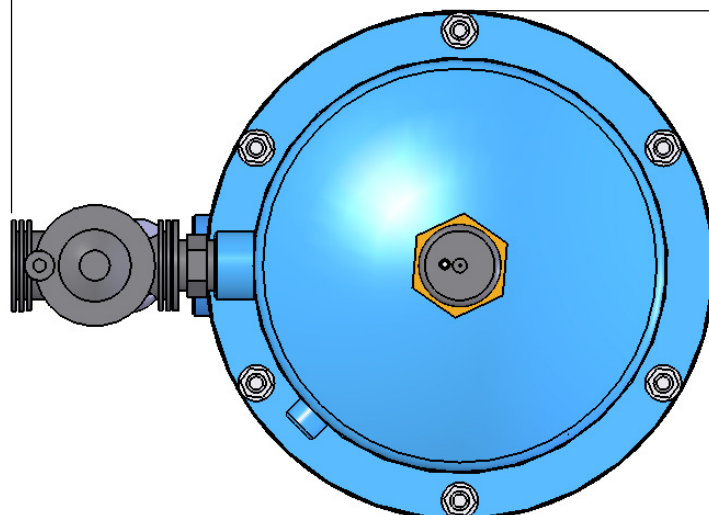
623

177

SOCKET 2"



465



Ø 337

DWG/CATALOG NO:

AF202MS

PROJECT:

**AUTOMATIC HYDRAULIC
SCREEN FILTER**

MODEL:

AF202 MS

DIM: mm

SCALE: 1:5

A4