



SOLEM
IRRIGATION

THE CONNECTED IRRIGATION EXPERT



Bluetooth®



SMART-IS

INSTALLATION GUIDE

INTRODUCTION

SOLEM SMART-IS is a 230 V AC powered Wi-Fi and Bluetooth® irrigation controller. Connected to the local weather forecasts it adapts the programming to weather changes. It can also follow your water consumption by connecting to a flow meter. It can be connected to a rain sensor or to a flow sensor if you need to follow your water consumption. It can manage up to 12 stations (depending on the model you have), either through the MySOLEM app. (via Wi-Fi or Bluetooth®), or from the MySOLEM platform.

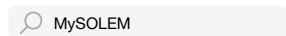
Step 1

APP DOWNLOAD

1. On your smartphone or tablet, go to the «**App Store**» or to the «**Play Store**» app.



2. Search for «**MySOLEM**» in the search bar.



3. Once found, download **MySOLEM** app.




4. Once installed, activate the Bluetooth® of your smartphone and/or tablet.

Step 2

CREATE AN ACCOUNT

To benefit from all **SMART-IS** features, please create a **MySOLEM** Account.

1. Launch **MySOLEM** app from your smartphone and/or tablet.
2. Go to «**My account**» by taping on  icon.
3. Follow the steps described on the app.

Step 3

CONTROLLER SETUP

Be sure that the place where you are wiring the **SMART-IS** is covered by a Wi-Fi connection.



1. Remove the **SMART-IS** bottom trap.
2. Plug the provided **230/24 Vac** power and put back the trap.
3. Launch **MySOLEM** app from your smartphone and/or tablet.
4. Click on «**Add a controller**».
5. Select the **SMART-IS** from the available controllers list.
7. To finish your **SMART-IS** pairing, follow the next steps described in the app.

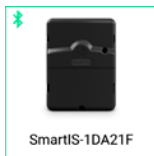
Note: To identify your **SMART-IS** among the available controllers, please refer to the number displayed corresponds to «**Default name**» present on his product label on the back of the product.

Step 4

SENSOR SETTINGS

The **SMART-IS** has a - **S** + sensor input where you can plug in a rain sensor or a flow sensor. Once the sensor connected, it is necessary to set it up in the app.

1. Enter into the **SMART-IS**.
2. Tap on  **Sensor**.
3. Tap on  **Setting**.
4. Select your sensor type.



Step 5

FLOW METER SETTING

1. Fill the COEFFICIENT «**COEFFICIENT**» gaps.

COEFFICIENT : your flowmeter conversion factor value expressed in Pulse/L.

2. Verify the «**Immediate value**».

Immediate value: it ensures that the water consumption volume indicated on the meter is the same volume as written on the app. If a difference is noted, please verify the cables (polarity) or adjust the «**FACTOR**» value.

3. Fill the following gaps.

High threshold (daily consumption): maximum consumption (in liters) that you don't want to surpass in a **24h** period. In case of limit exceeded, you will be instantly alerted (by email and smartphone and/or tablet notifications).

Low threshold (daily consumption): minimum consumption (in liters) that you want to reach in a **24h** period. In case of not achieved goal, you will be alerted the next day at 7am (by email and smartphone and/or tablet notifications).

Leak alert volume: threshold from where you want to be alerted.

Station's flow: For each station, please read the meter at **moment T (Cpt1)**, and then at **moment T + 5mn (Cpt2)**. Calculate $(Cpt2 - Cpt1)/5 = > \text{Débit (L/min)}$
Write the results in the app.

High threshold (station's flow alerts): maximum consumption in % of your established station's flow rate. In case of limit exceeded, you will be instantly alerted (by email and smartphone and/or tablet notifications).

Low threshold (station's flow alerts): minimum consumption in % of your established station's flow rate. In case of not achieved goal, you will be alerted the next day at 7am (by email and smartphone and/or tablet notifications). For each station flow alert you can define the type of action you want:

- **No action:** the watering goes on.
- **Permanent OFF:** to restart watering you will need to select ON (in the app, in the corresponding controller).
- **Inhibit the output:** it stops the corresponding station; to restart the station «acknowledge» the alert.

The settling time: is the time required to the water flow to be stable, when station starts or stops. It is meant to avoid the pick flow (start) or the spillage (stop) and to show the flow measuring. It affects all the stations. During this time the consumption is not taken into account for alerts or actions alarms.

Step 6



AUTOMATIC WATER BUDGET

This option allow to automatically reduce or increase the watering time according to weather forecasts and the local weather. It adjusts the percentage in the following way:

- If the expected quantity of rain for today is **superior or equal to 10 mm = Waterbudget 30%**
- If the expected quantity of rain for today is **strictly inferior to 10 mm** AND the total amount of the 3 last days is **strictly superior to 0 mm = Waterbudget 100%**


- If the expected quantity of rain for today is **strictly inferior to 10 mm** AND the total amount of the 3 last days is **equal to 0 mm** = **Waterbudget 110%**

When the automatic water budget is activated, the monthly water budget is deactivated.

1. Enter into the **SMART-IS**.
2. Tap on the  icon.
3. Tap on  **Localization**.
4. Authorize the app to enter to the localization service.
5. Go back to the previous screen and activate the «**Automatic water budget**» on the bottom of the screen.

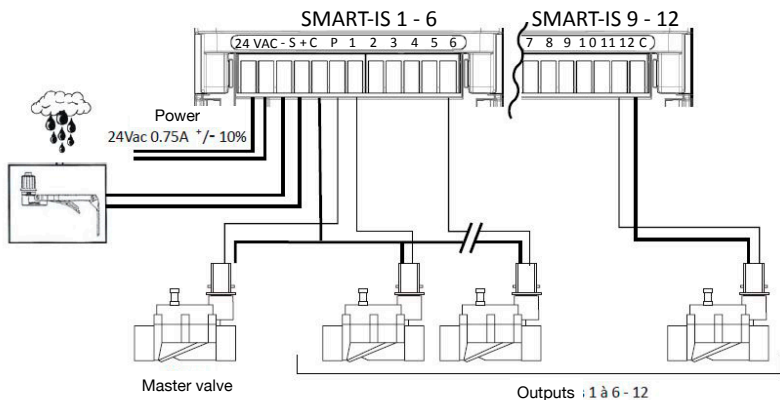
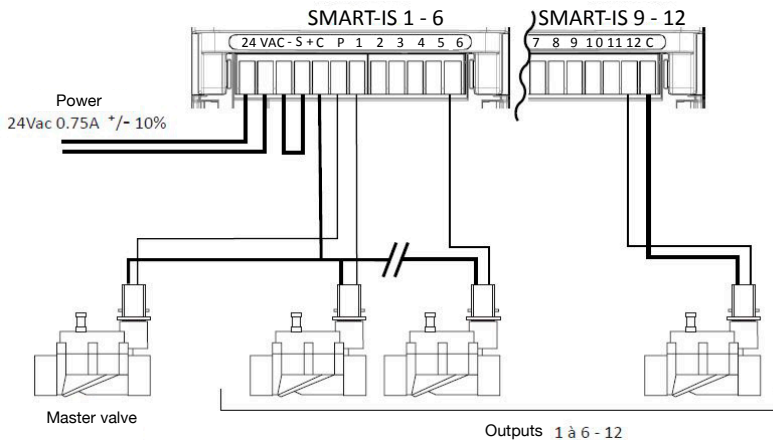
Step 7

SECURITY KEY

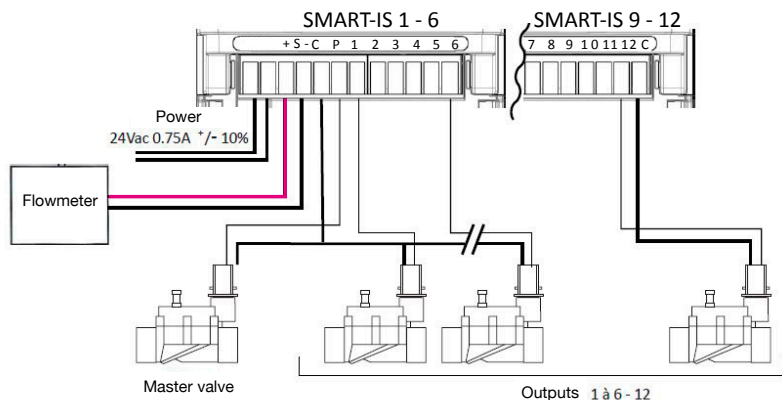
The security key allows to protect your controller. It is required only for future installations. To define during step 3. of “controller setup” or access to further information by clicking on the  icon at top right of your screen.

Step 8

WIRING



With rain sensor



Plug the - **S +** input to a water meter equipped with a flow sensor, as described below. Use flow sensors in dry contact or equivalent.

For polarized flow sensors respect the polarisation :

Red cable > + / Black cable > -

LED STATUS INFORMATIONS

Green LED: standard functioning

Green LED blinking: one station is working (the number of blinking corresponds to the activate station's number)

Orange LED blinking: ongoing firmware actualization

Orange LED 4 flashes: short-circuit on one station

Fixed red LED: the product is in initialization mode during 2 minutes

Fast blinking red LED: Default (sensor opened or flow threshold reached). Suspended watering but the program goes on. If «**Default**» disappears, the program starts again (the LED's flashes number corresponds to the actual inactive station).

Red LED blinking twice: the controller is no more time-synchronized, connect again to re-synchronize it.

Red LED blinking 3 times: Wi-Fi signal lost (wrong Wi-Fi key or the **SMART-IS** installation is too far or the internet connection has been lost)

Red LED blinking 4 times : either short-circuit or overconsumption on one station or the product has been turned off and on 2 times in a short time period, while a station was working.

Red LED blinking 5 times : you are over the time required to install the controller. Start the initialization again.

LED off : the product is not powered.

GENERAL INFORMATION

PLEASE READ THE FOLLOWING SECURITY INSTRUCTIONS CAREFULLY BEFORE SET UP OR USE THE SMART-IS. PLEASE RESPECT THESE PRECAUTIONARY MEASURES.

The **SMART-IS** has to be installed indoor or in a sheltered place. Place your product in order to have the power outlet not far from the equipment. The socket is a sectioning device that has to be accessible all the time. Be sure that the power transformer has a protection against overintensifies and short-cuts, type 16A. Only use the power pack provided with the product :
INPUT: 230V ~ 50Hz OUTPUT: 24V ~ 0.75A



The symbol “CE” indicates that this device complies with the European standards on safety, health, the environment and the protection of the user. Devices with the symbol “CE” are intended for sale in Europe.



This symbol indicates that these types of electrical and electronic devices must be discarded separately in European countries. Do not dispose of this device with your household waste. Please use the collection and recycling points available in your country when you no longer need this device.



This symbol indicates that the power supply is an alternative power.



This symbol indicates that the supply voltage is an alternative voltage.



This symbol indicates that the power pack has a double isolation class 2 type.



This symbol indicates that the power pack has a thermal protection of 130°C

TECHNICAL FEATURES

DIMENSIONS:

Width 11 cm x Height 14,3 cm x Depth 4,2 cm (2/4/6)

Width 16 cm x Height 14,3 cm x Depth 4,2 cm (9/12)

POWER:

Power supply INPUT: 230V ~ 50Hz / OUTPUT: 24V ~ 0.75A 50Hz

USED FREQUENCY RANGE AND MAX TRANSMITTED POWER:

Bluetooth®: [2400-2483.5]Mhz

Wi-Fi: 2.4Ghz

USE:

Relative humidity: 90%

Product's usage environment from -20°C à 60°C

Guarantee: 2 years