



**REFERENCE:
E1320**

COUNTRY OF ORIGIN: PRC

TECHNICAL SPECIFICATIONS:

- 7pin 12V,
- plastic housing,
- carton dimension 470x210x190mm,
- 100 pcs in bulk box
- plug weight: 51g

Warning and installation instructions:

- Use in accordance to the purpose.
- Install only in specialized workshops or professional services.
- The connector is used to connect the pneumatic brake system of the vehicle with the trailer system.

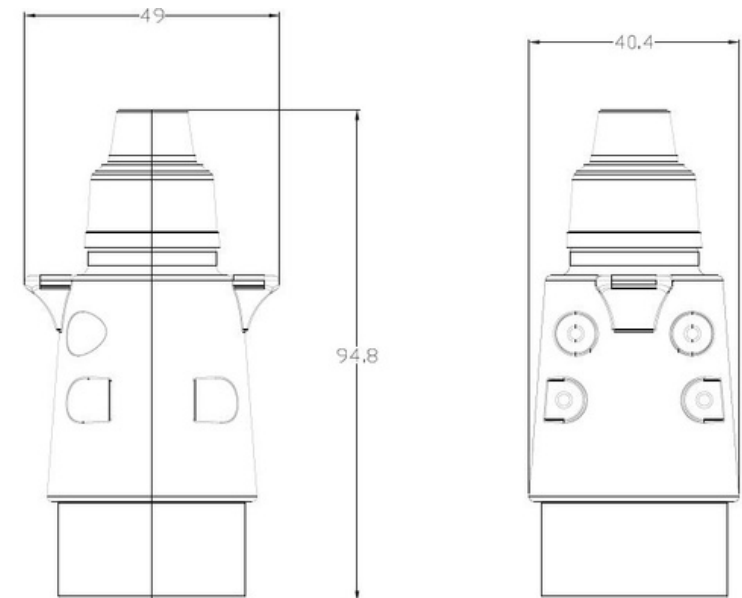


www.truck-kamar.pl

7 PIN PLASTIC PLUG 12V

EAC

PHOTO:



MARK	FUNCTION
L	Left Turn Signal
54G	Rear fog lamps
31	Ground connected
R	Right Turn Signal
58R	Tail lamps, right side
54	Stop lamps
58L	Tail lamps left side