

1:12 Electric 4WD Monster Truck

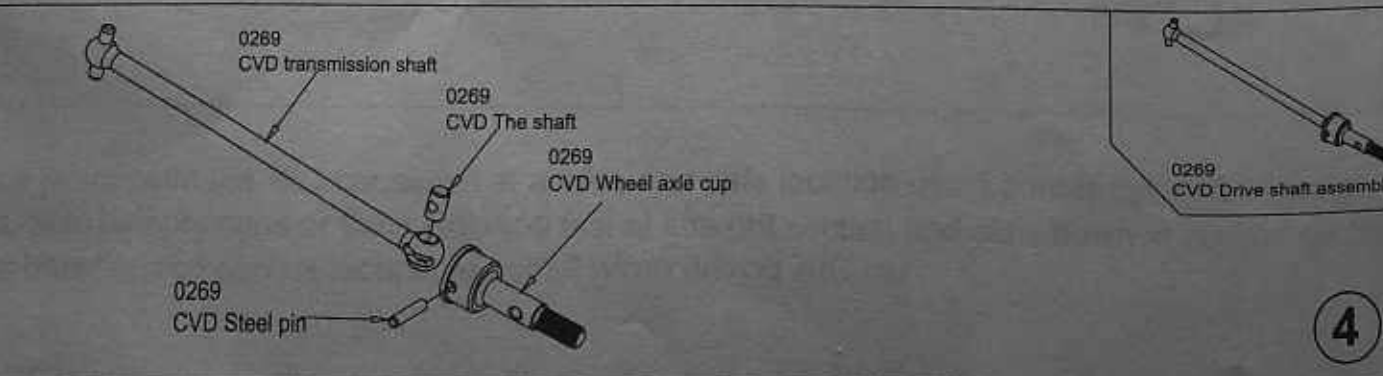
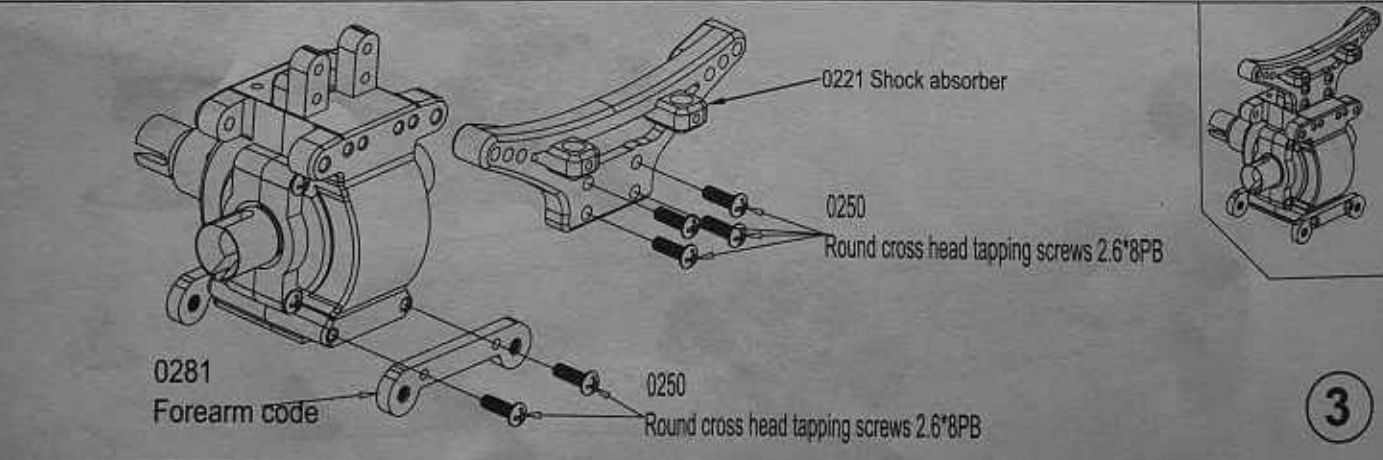
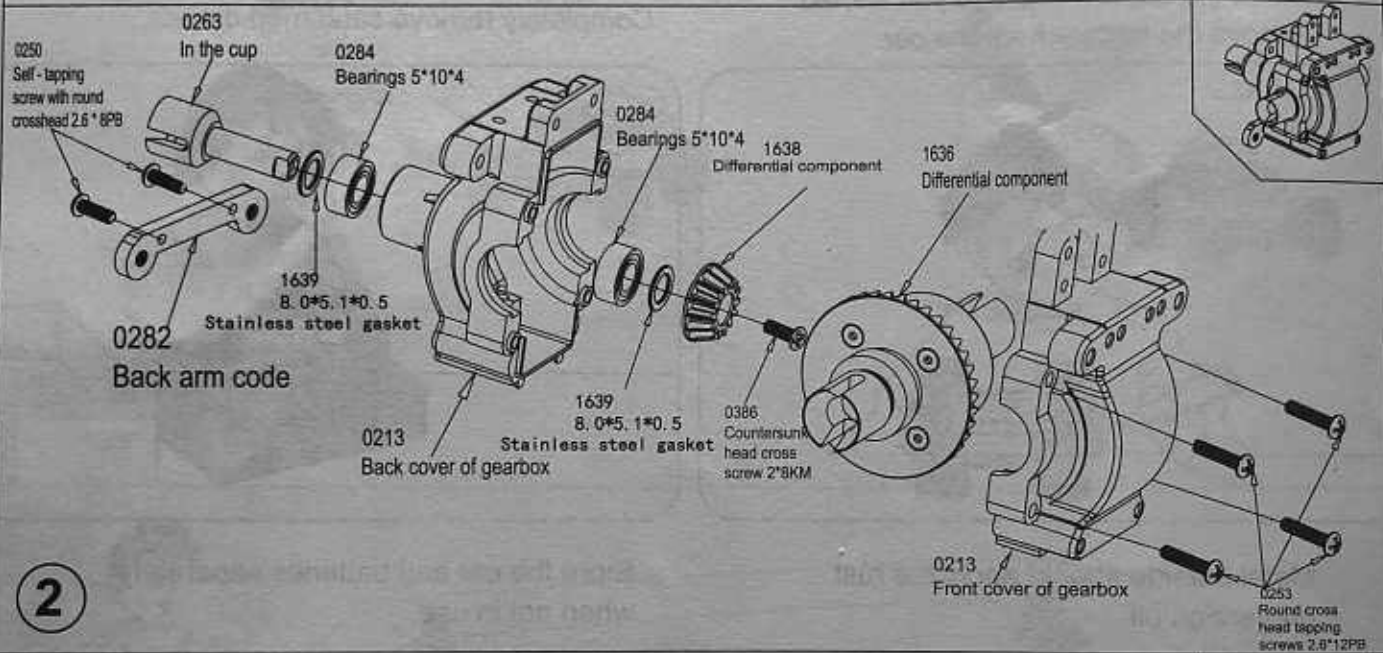
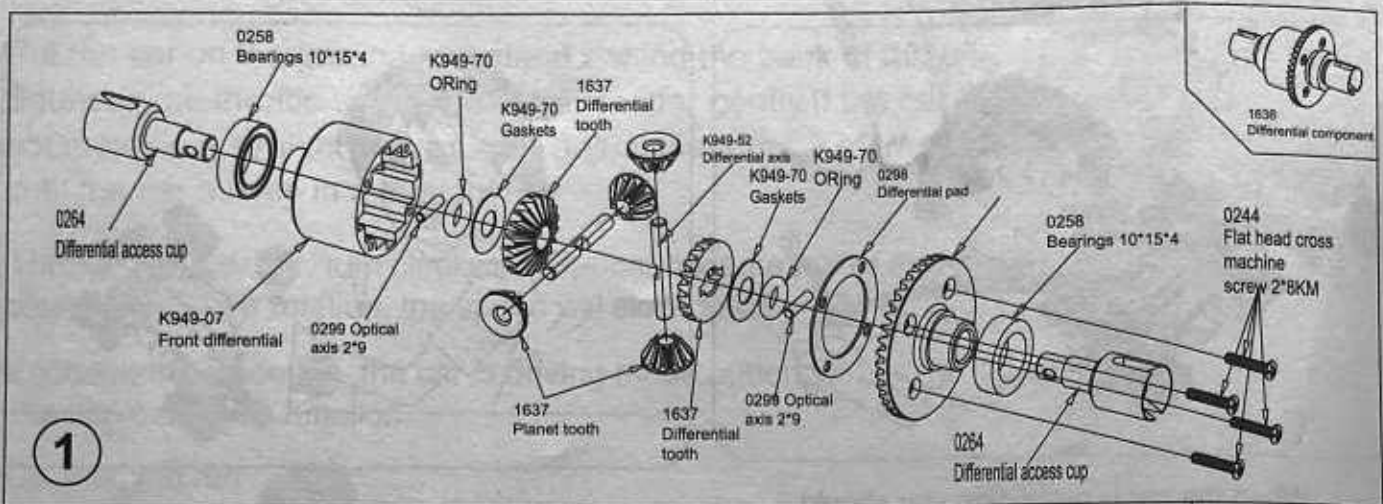


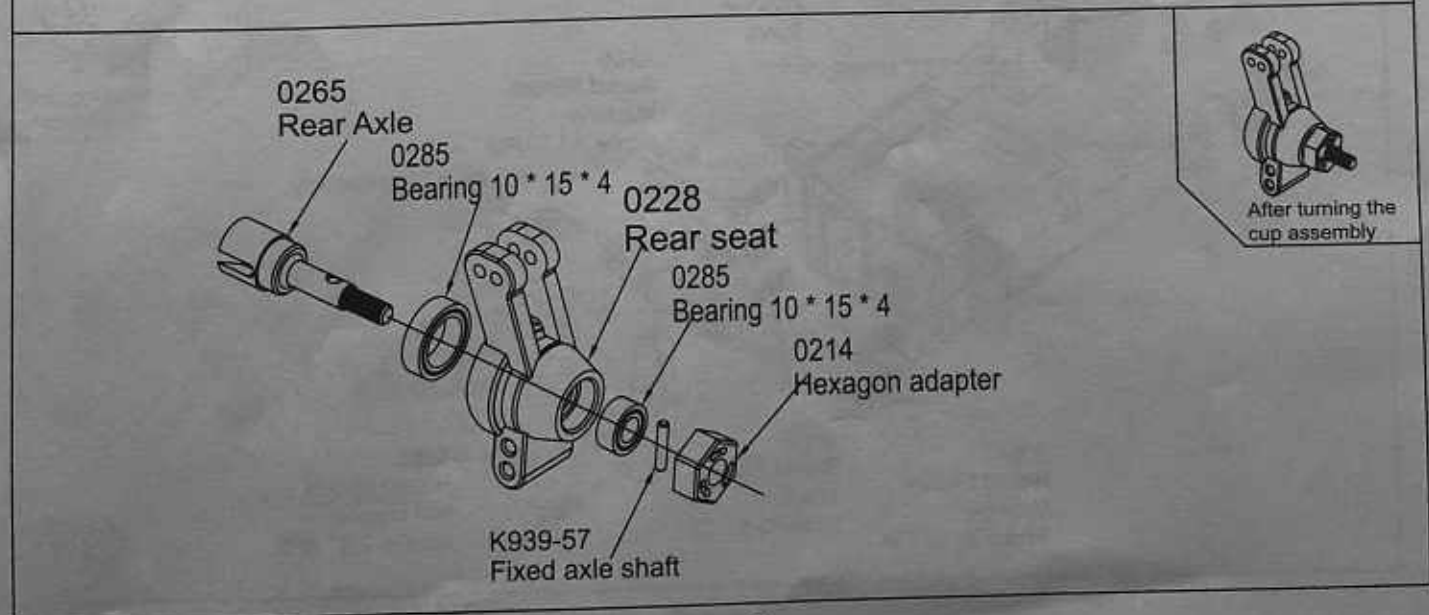
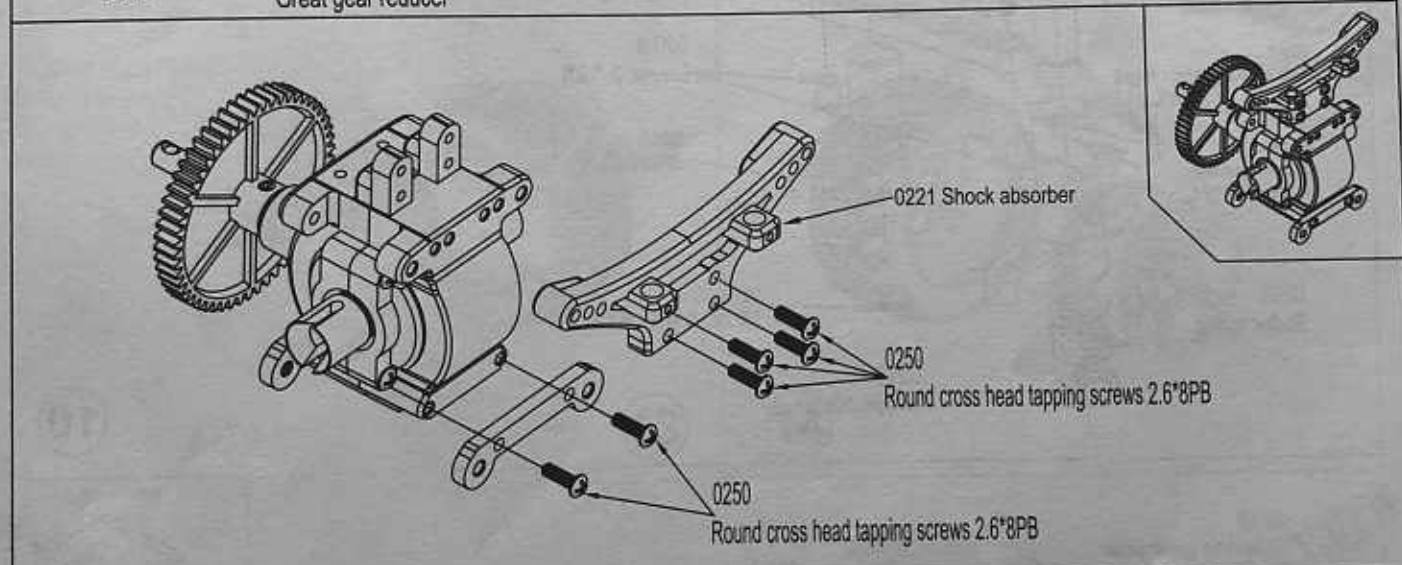
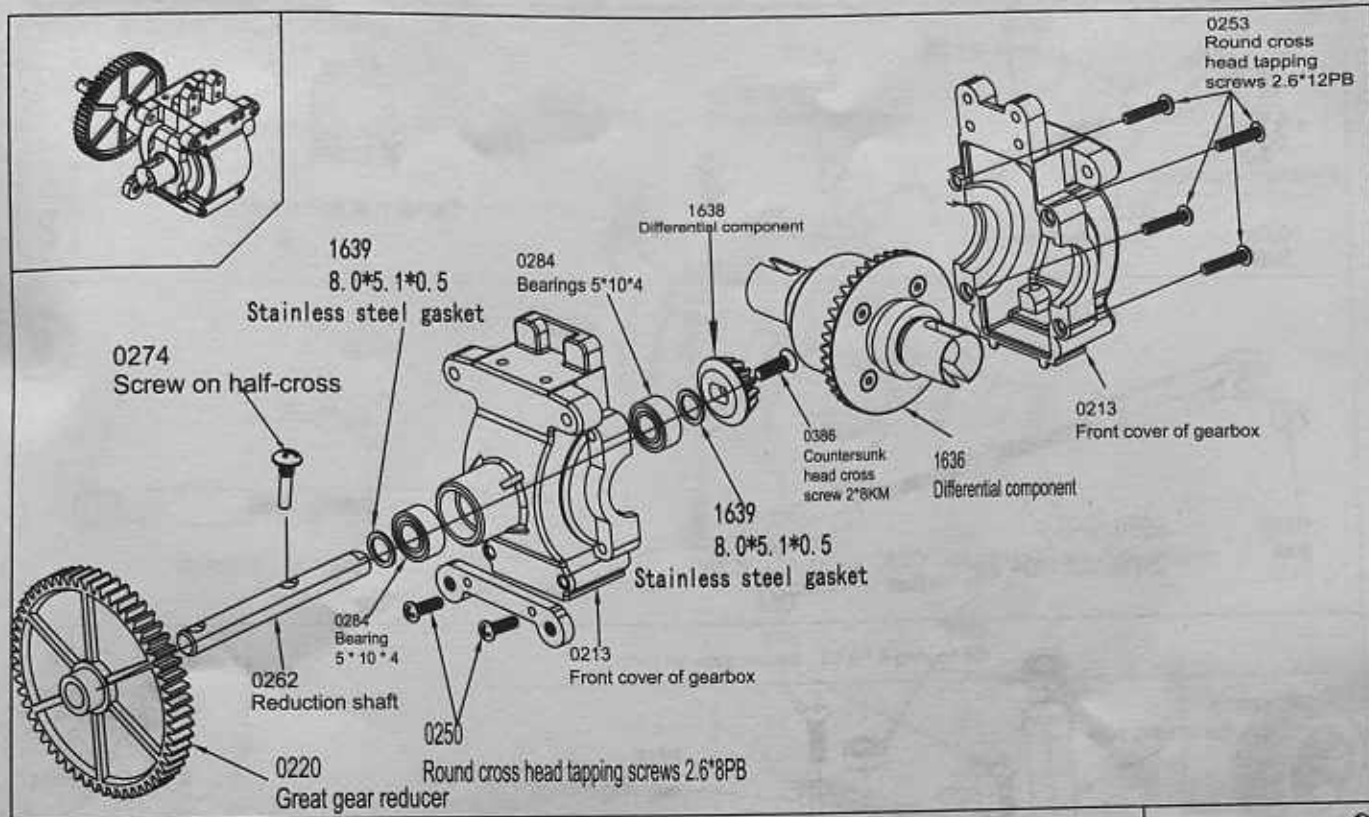
Caution: This model is not a toy, it is designed for user over 14 years of age.

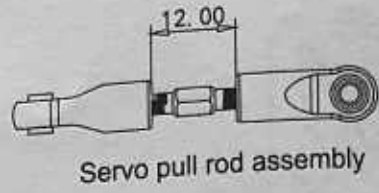
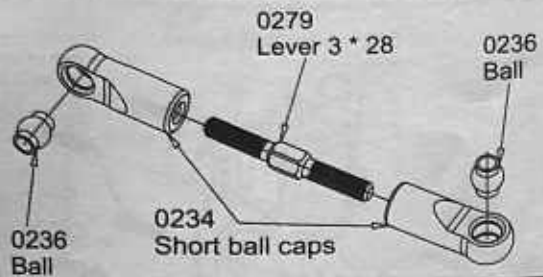
Please use this instruction and the R/C system instruction at the same time.

The instruction is suitable for a type of model whose number is 12402-A

Assembly Exploded Diagram

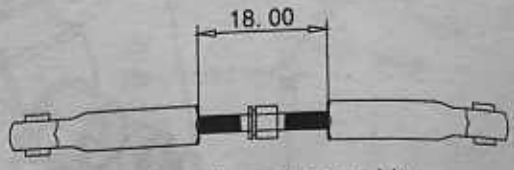






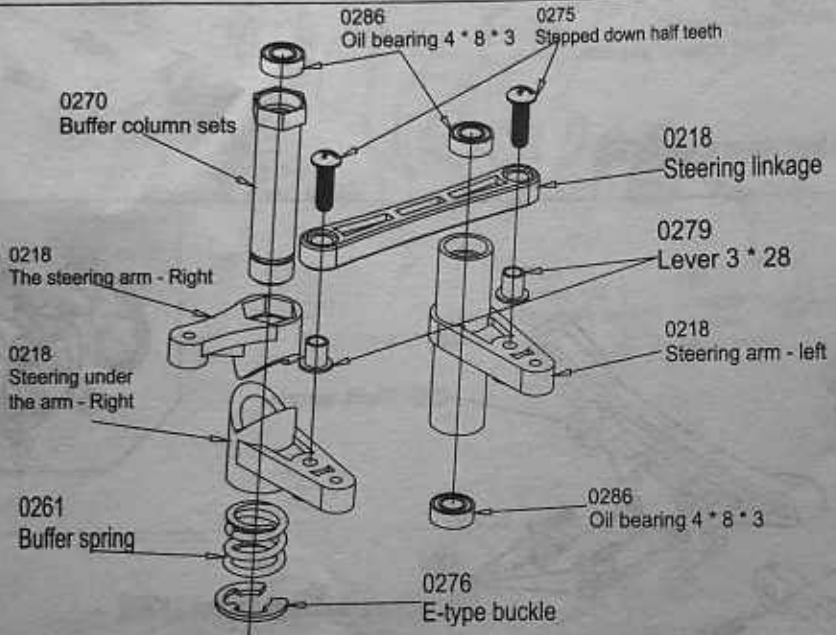
Servo pull rod assembly

8



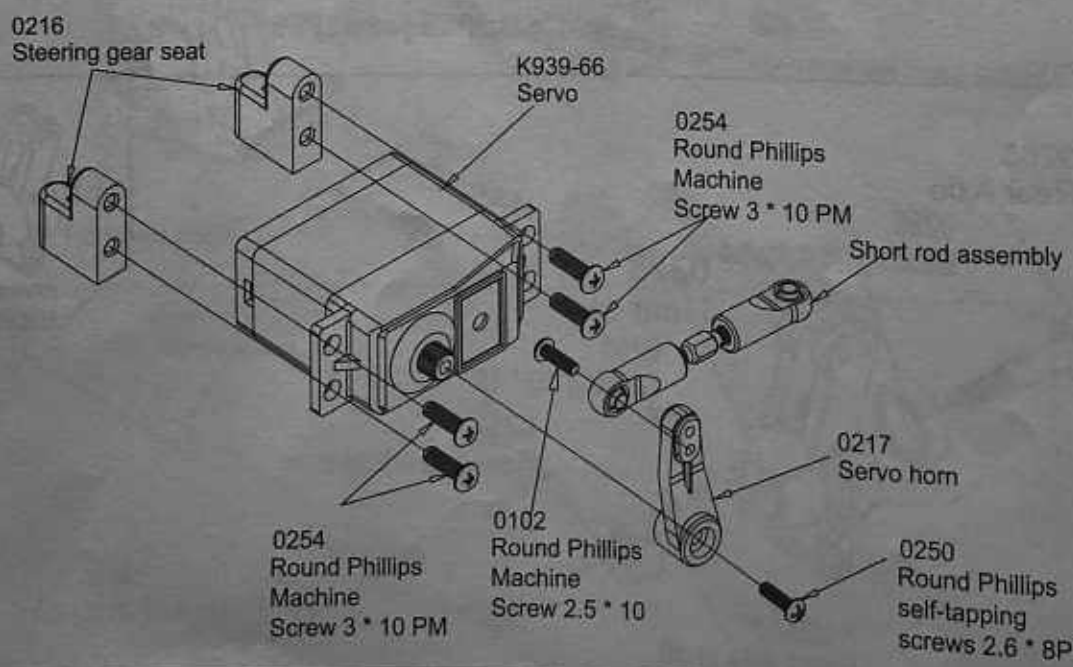
Steering rod assembly

9



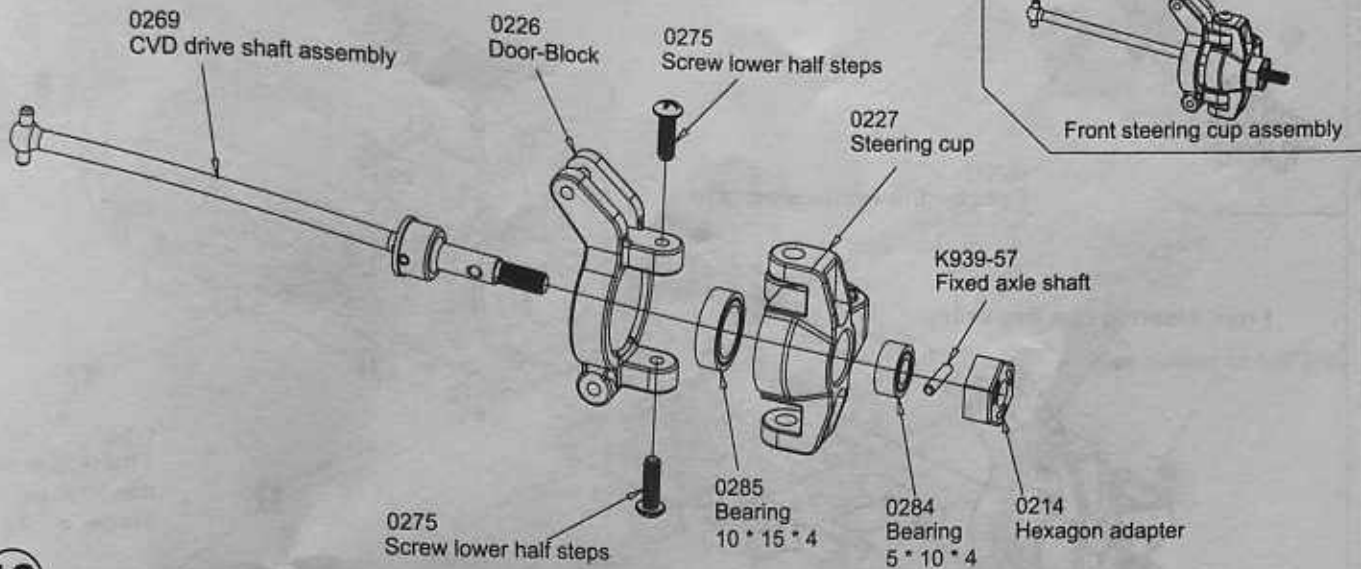
The steering assembly

10



Steering gear components

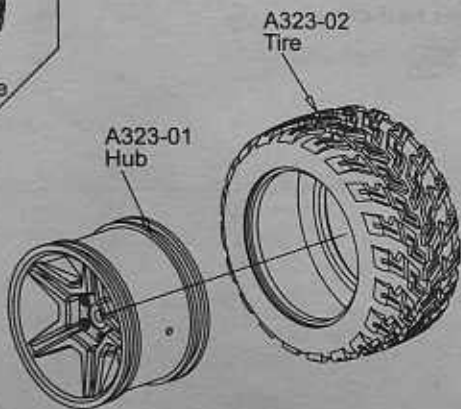
11



12



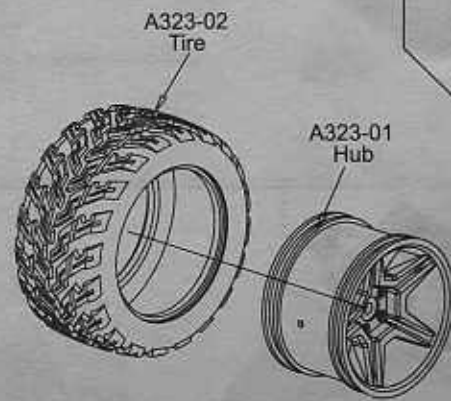
A323-1 Right Tire



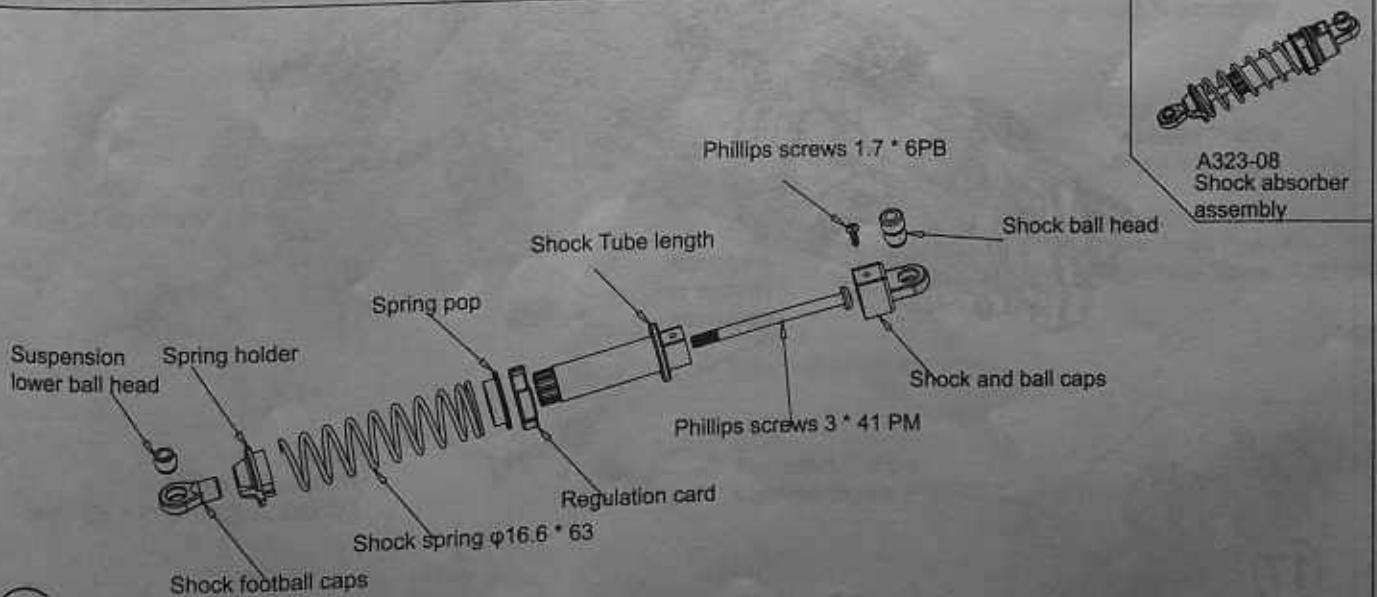
13



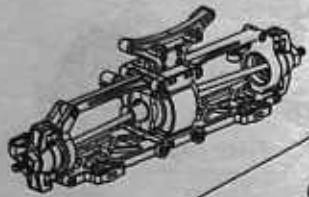
A323-1 Left tire



14

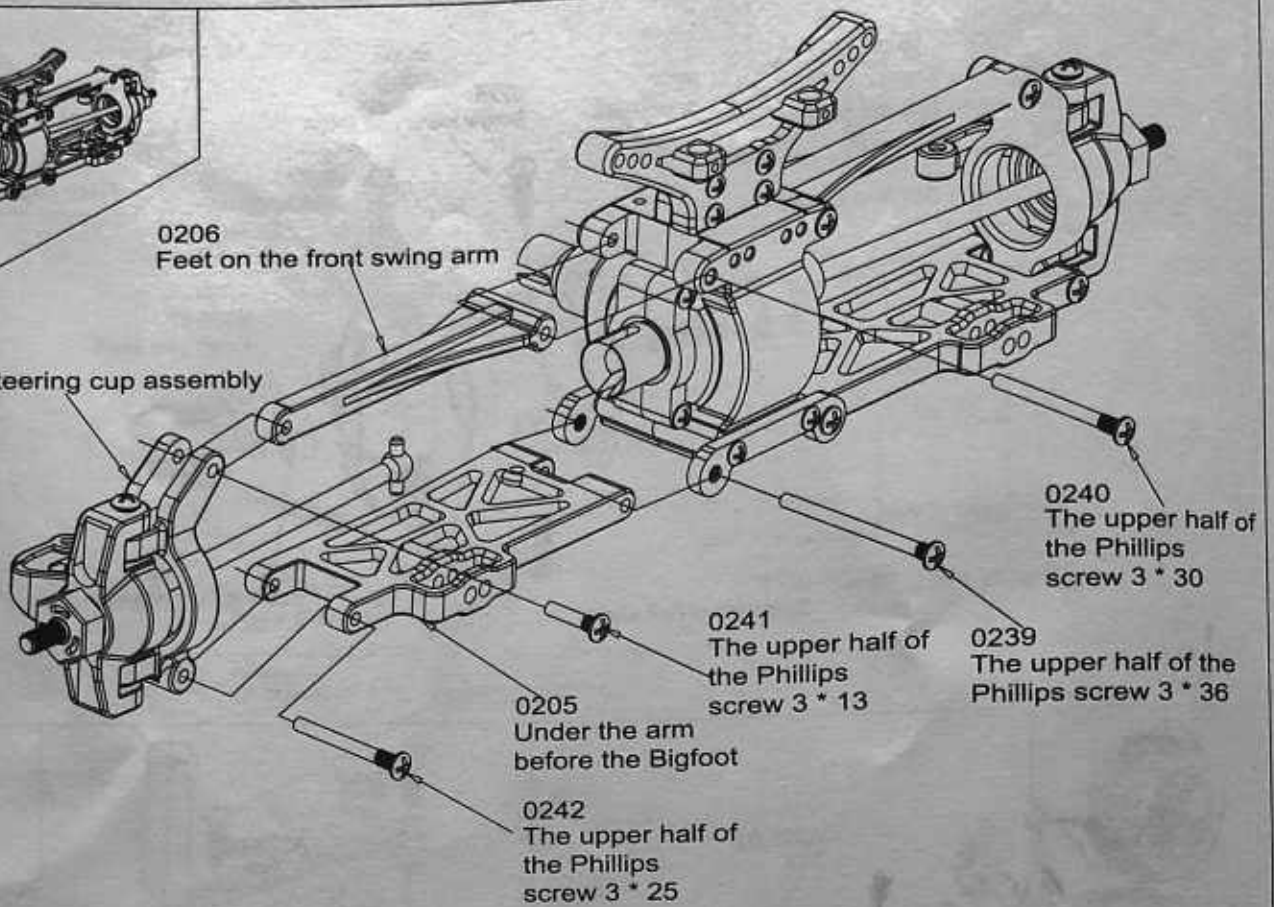


15

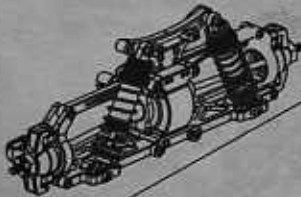


0206
Feet on the front swing arm

Front steering cup assembly



16

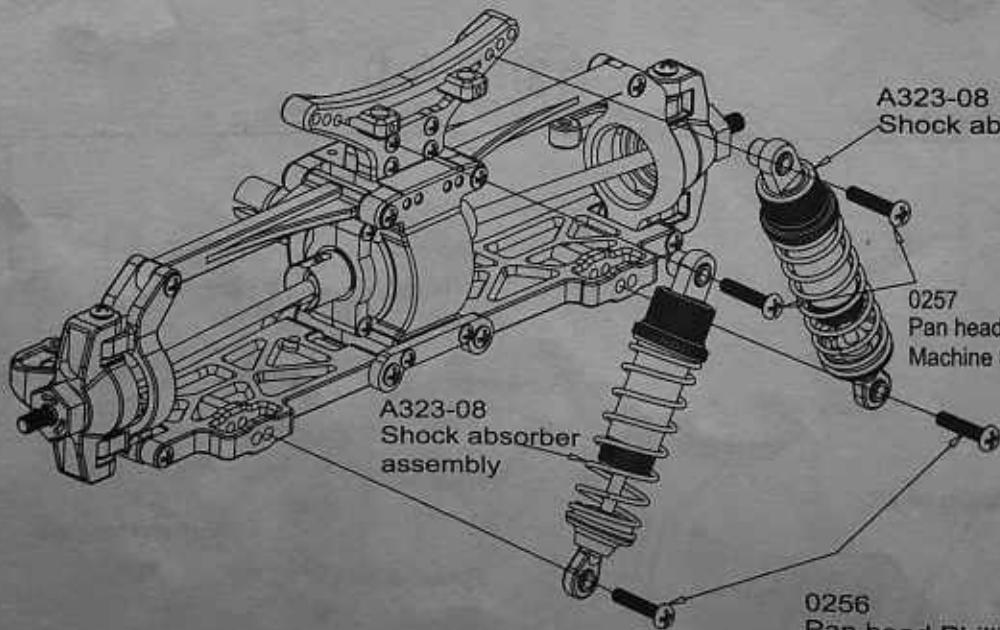


A323-08
Shock absorber assembly

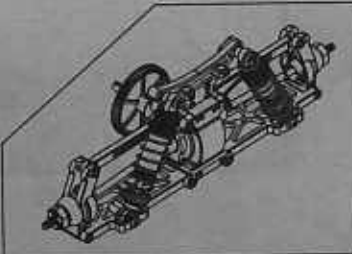
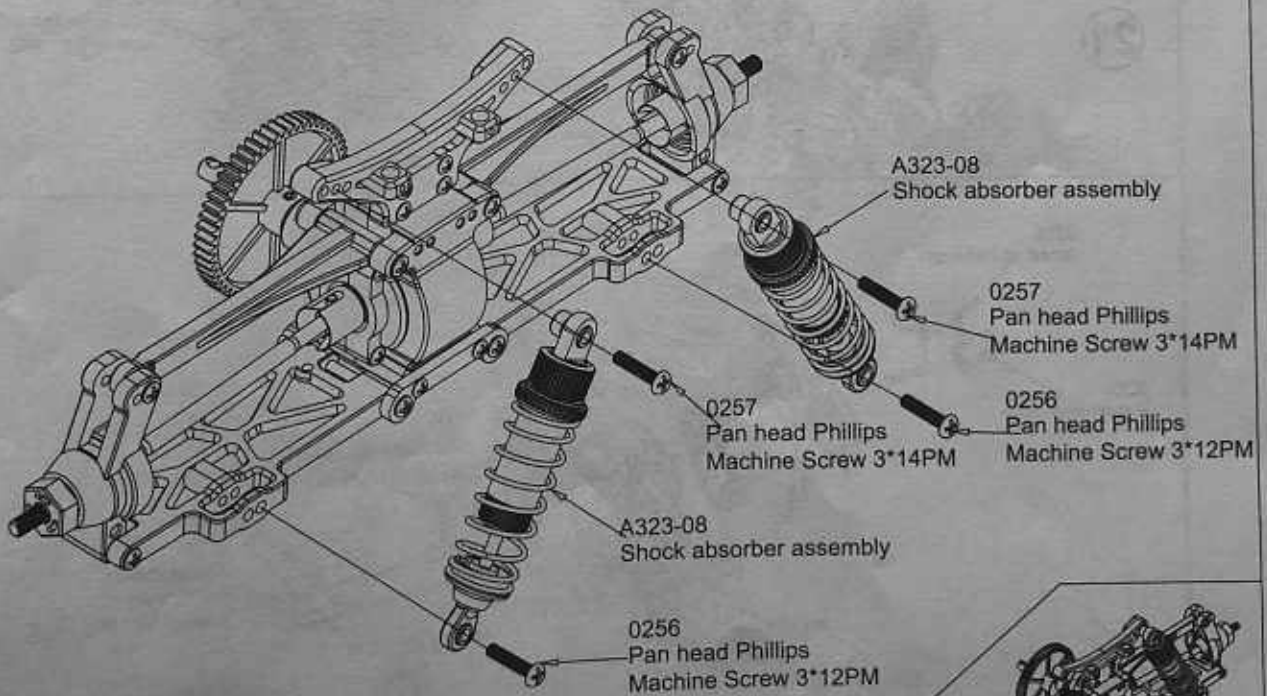
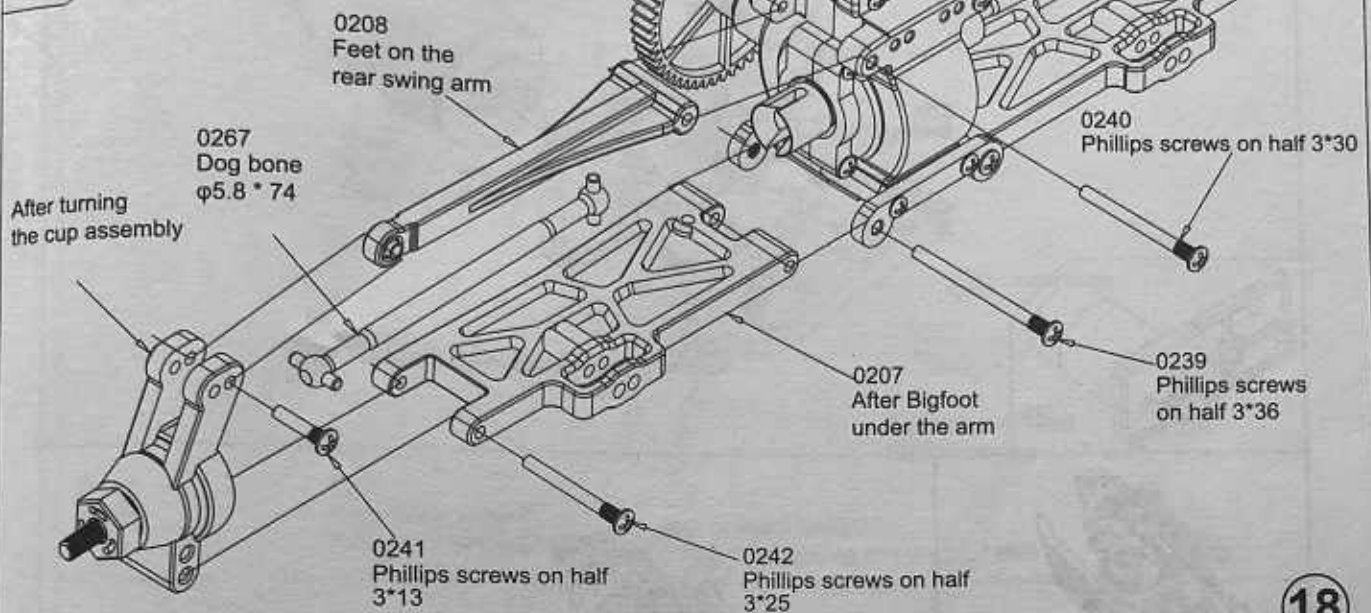
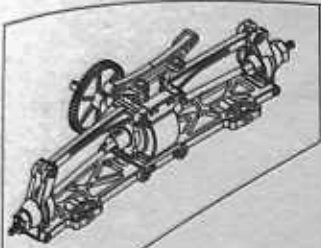
0257
Pan head Phillips Machine Screw 3 * 14 PM

A323-08
Shock absorber assembly

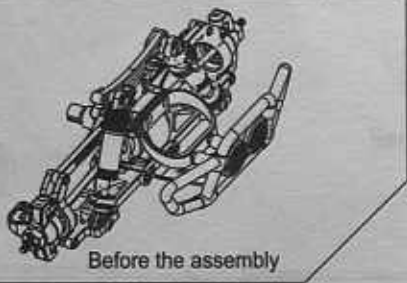
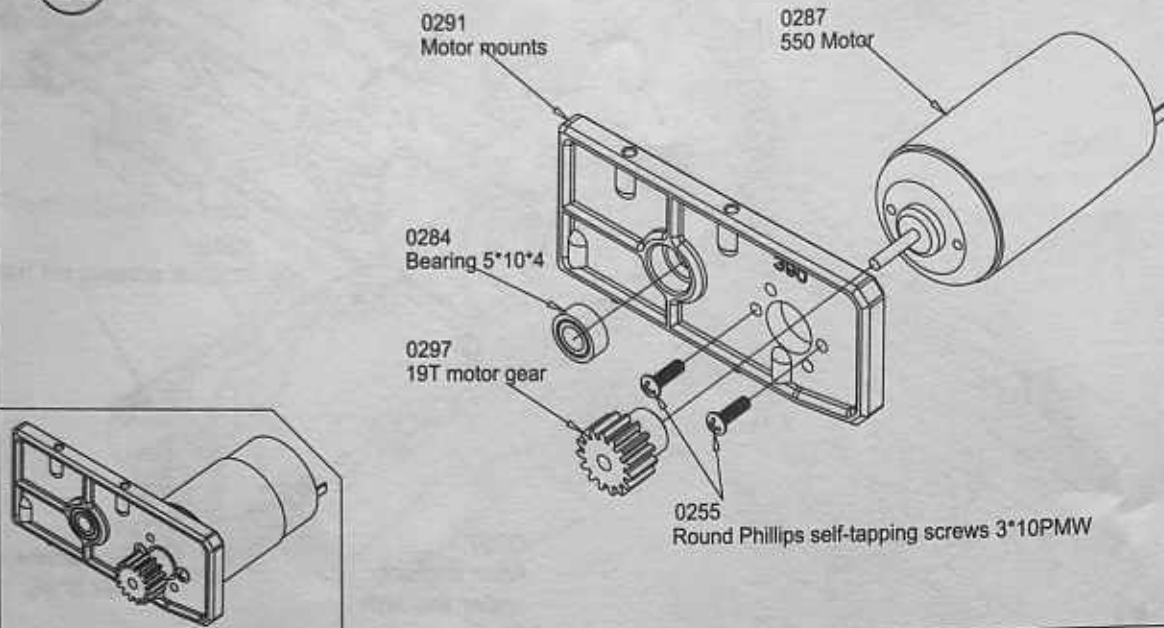
0256
Pan head Phillips Machine Screw 3 * 12 PM



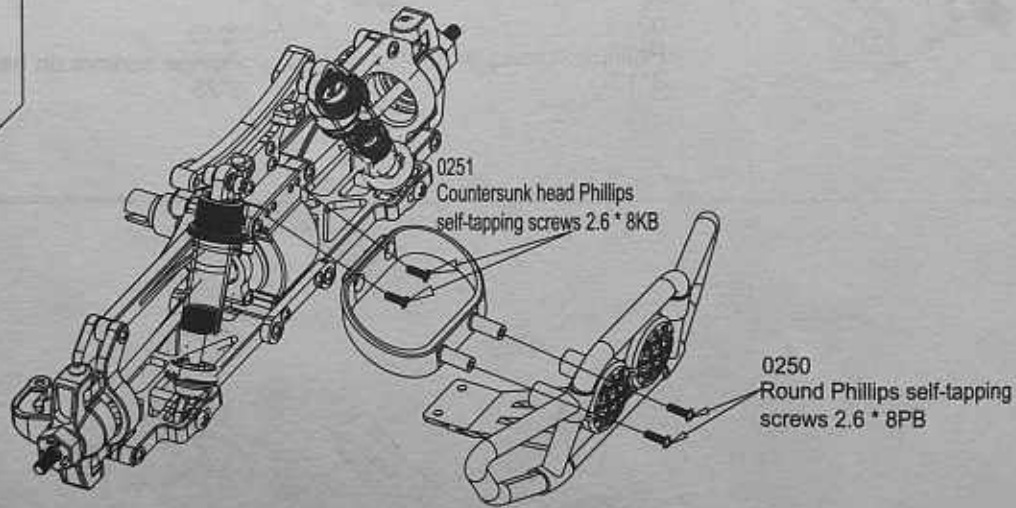
17



20



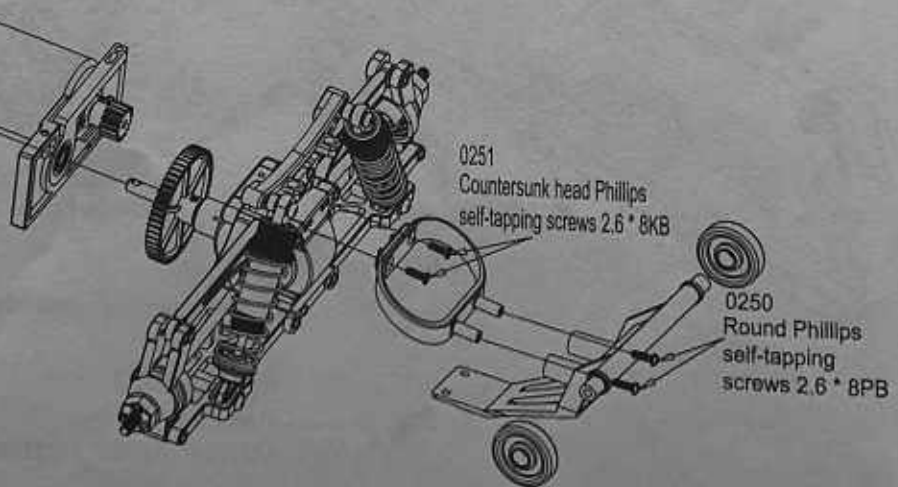
21

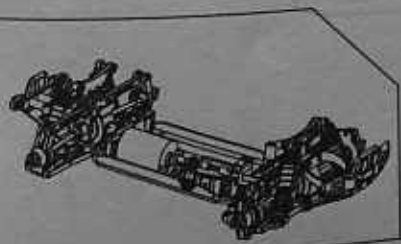
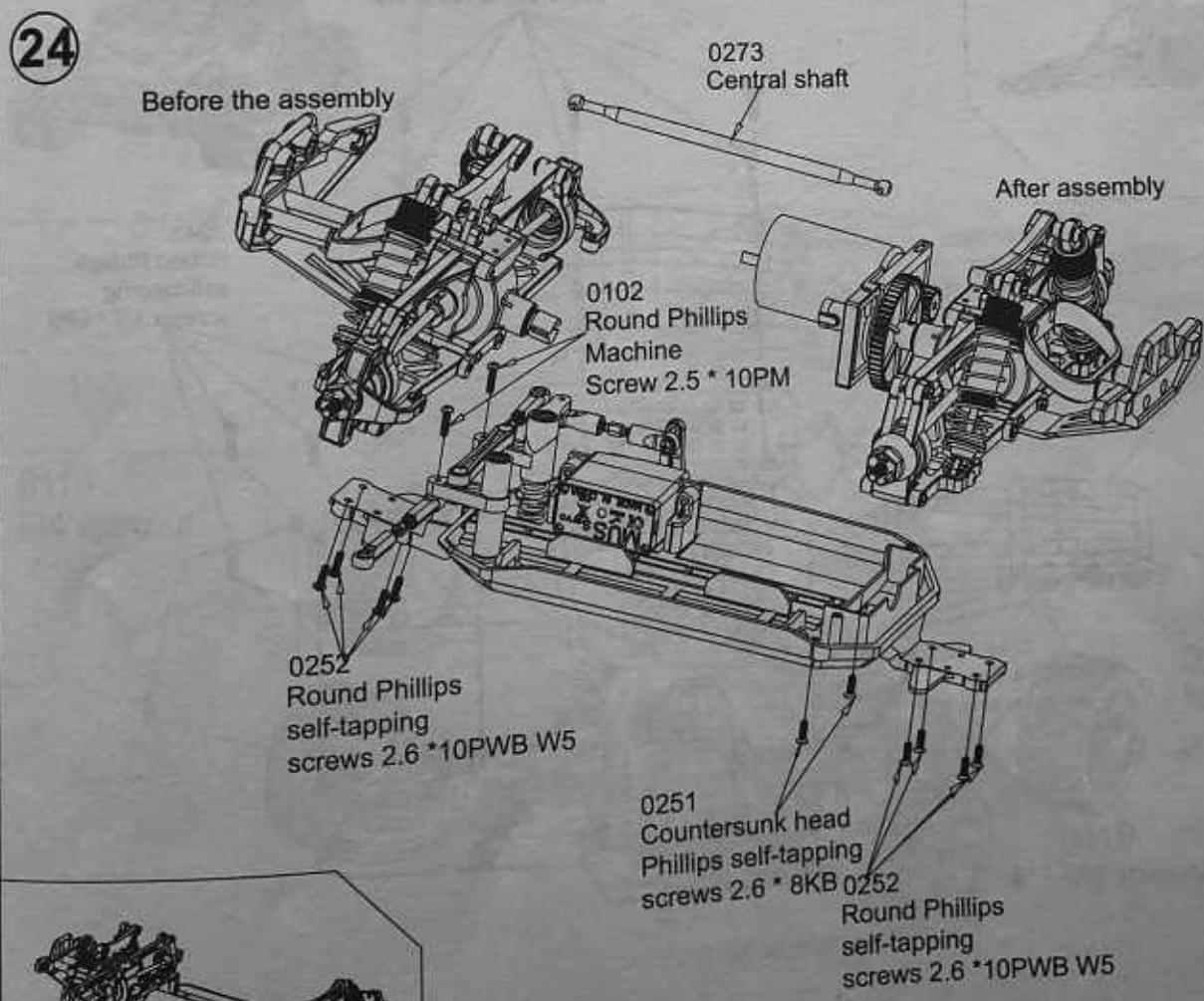
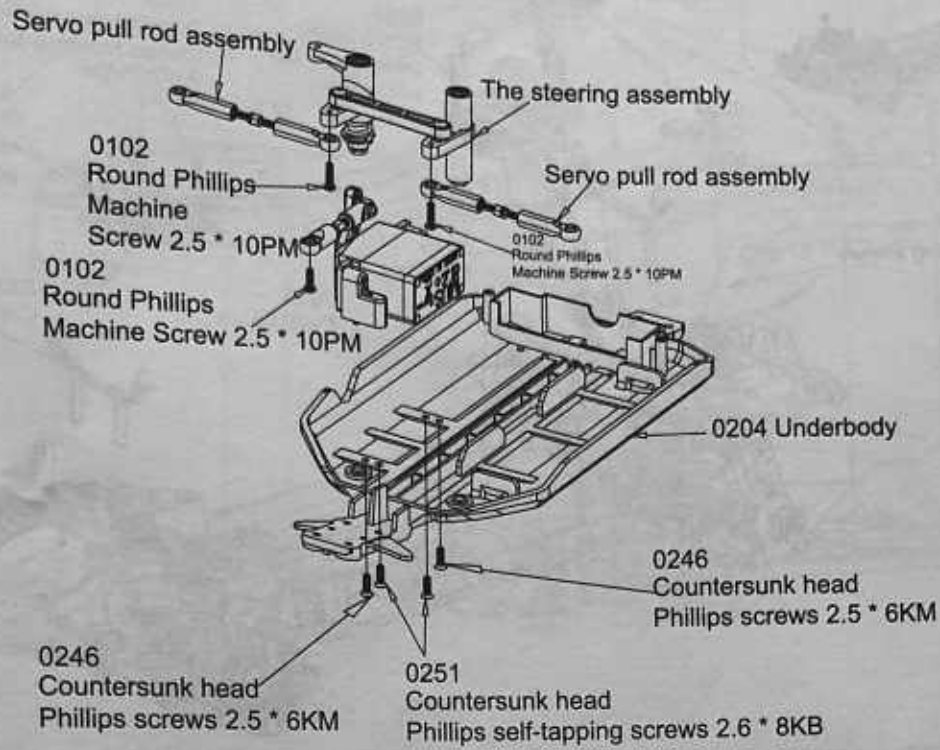


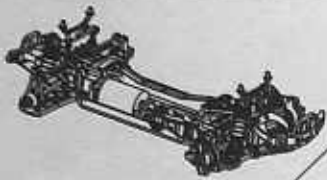
0274 Screw on half-cross

0292 In connection cup

22







0250 Round Phillips self-tapping screws 2.6 * 8PB

0253 With a round cross-mediated self-tapping screws 2.6 * 12 PB

0245 Round with a medium Phillips Machine Screw 2.5*6.PWM

0250 Round Phillips self-tapping screws 2.6 * 8PB

0223 Car shell pillar

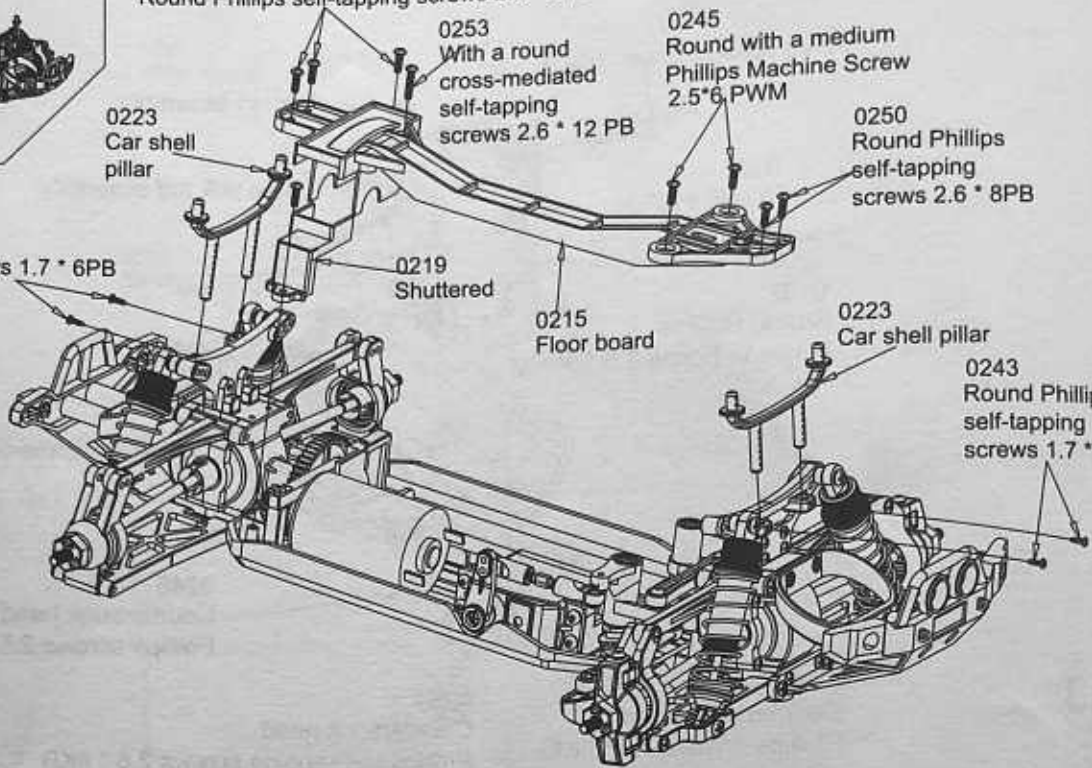
0243 Round Phillips self-tapping screws 1.7 * 6PB

0219 Shuttered

0215 Floor board

0223 Car shell pillar

0243 Round Phillips self-tapping screws 1.7 * 6PB



25



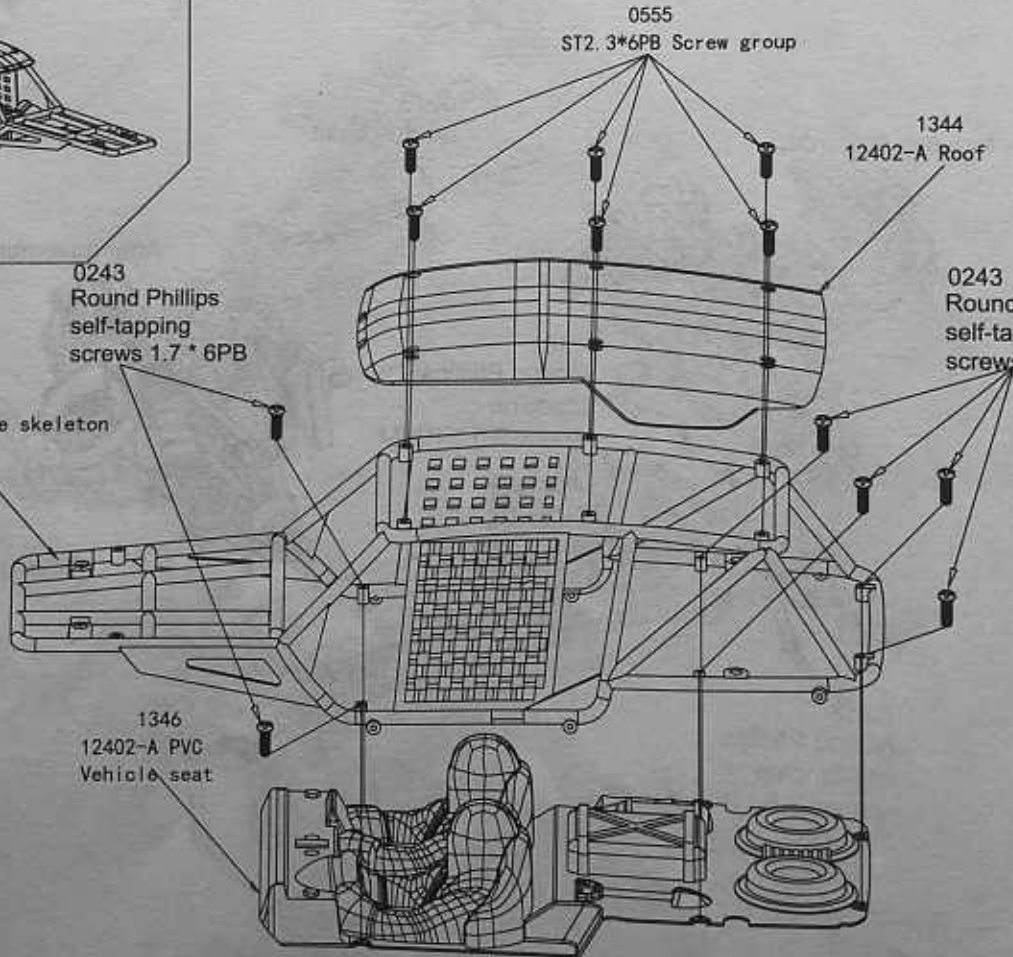
0555 ST2. 3*6PB Screw group

1344 12402-A Roof

0243 Round Phillips self-tapping screws 1.7 * 6PB

0243 Round Phillips self-tapping screws 1.7 * 6PB

1343 12402-A Vehicle skeleton

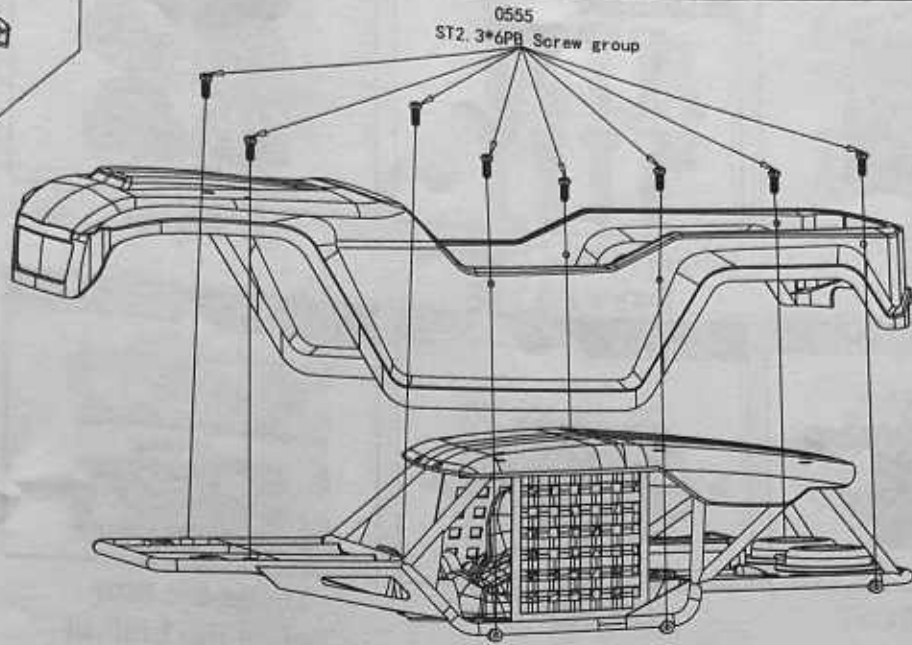


1346 12402-A PVC Vehicle seat

26



1350
Car housing assembly



K939-49
R-type pin

K939-49
R-type pin

0119
M4 locknut

A323-11
Tire assembly

0119
M4 locknut

A323-11
Tire assembly

0119
M4 locknut

Sale parts view



Chassis



Round Phillips Machine
Screw 2.5 * 10



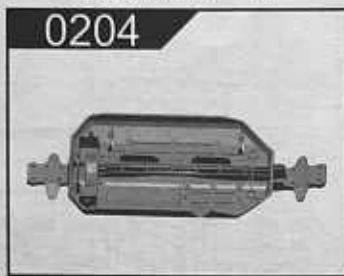
M4 locknut



battery



charger



Underbody



Under the arm
before the Bigfoot



Feet on the front swing arm



After Bigfoot
under the arm



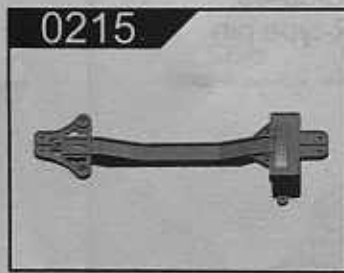
Feet on the
rear swing arm



Gearbox cover



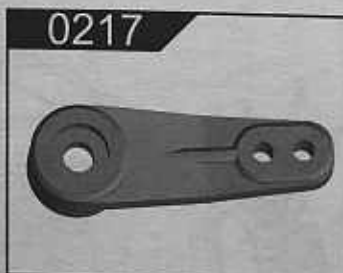
Hexagon adapter



Floor board



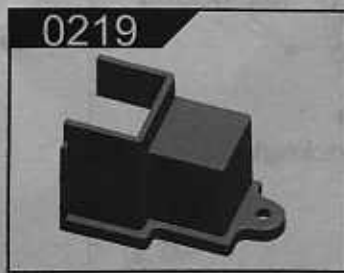
Steering gear seat



Servo horn



Steering linkage



Shuttered



Great gear reducer



Shock frame



Bumper support

Sale parts view

0223



Car shell pillar

0226



Door-Block

0227



Steering cup

0228



Rear seat

0233



Long ball caps

0234



Short ball caps

0236



Ball

0237



Front bumper

0238



After the crash

0239



The upper half of the Phillips screw 3 * 36

0240



The upper half of the Phillips screw 3 * 30

0241



The upper half of the Phillips screw 3 * 13

0242



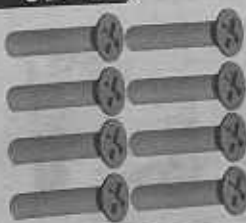
The upper half of the Phillips screw 3 * 25

0243



Round Phillips self-tapping screws 1.7 * 6PB

0244



Pan head Phillips Machine Screw 2 * 10 PM

0245



Round with a medium Phillips Machine Screw 2.5 * 6 PWM

0246



Countersunk head Phillips Machine Screw 2.5 * 6KM

0250



Round Phillips self-tapping screws 2.6 * 8PB

0251



Headlight

0252



Rollcage in



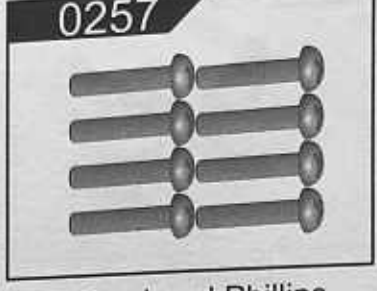
0253

Round Phillips self-tapping screws 2.6 * 12 PB



0254

Round Phillips Machine Screw 3 * 10 PM



0257

Pan head Phillips Machine Screw 3 * 14 PM



0261

Buffer spring



0262

Reduction shaft



0263

In connection cup



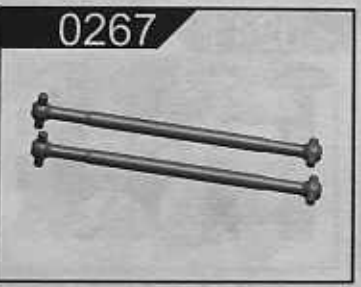
0264

Differential access Cup



0265

Differential access Cup



0267

Dog bone $\phi 5.8 * 74$



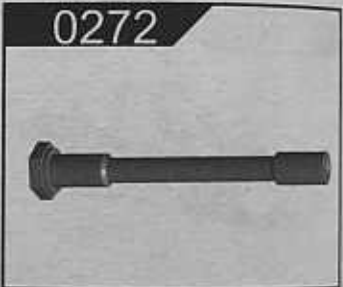
0269

CVD drive shaft assembly



0270

Buffer column sets



0272

Steering column



0273

Central shaft



0274

Screw on half-cross



0275

Screw lower half steps



0276

E-type buckle



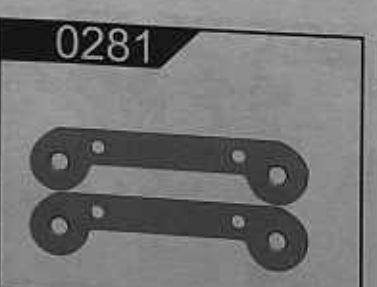
0279

Lever 3 * 28



0280

Servo pull rod 4*38



0281

Forearm code



0282

After the arm code

Sale parts view

0284



Bearing 5 * 10 * 4

0285



Bearing 5 * 15 * 4

0286



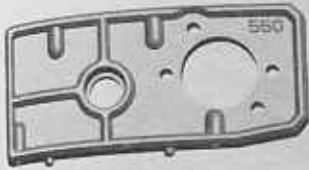
Bearing 4 * 8 * 3

0287



550 Motor

0291



Active rear axle pinion

0292



In connection cup

A323-08



Shock absorber assembly

1637



Differential gear

1638



Driving bevel gear

0297



19T motor gear

0298



Differential pad

0299



Axis 2x9

1350



Car shell

a323-11



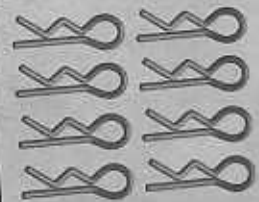
Tire assembly

0225



Differential assembly

K939-49



R-type pin

K939-57



Fixed axle shaft

K939-66



Servo

K949-07



Front differential case

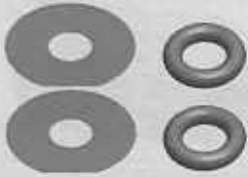
K949-52



Differential shaft

Sale parts view

K949-70



O-ring

V2



Harukahikaeki

0555



ST2.3*6PB screw