

Processing instructions



Instructions for replacing EGGER Flooring elements with glueless installation system CLIC it!

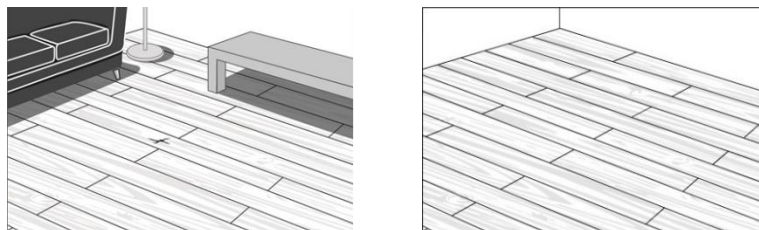
For EGGER flooring with the CLIC it! installation system, individual damaged flooring elements in the installed area can be replaced using the following procedures:

- Replacement of one or more flooring elements by removing a partial area
- Replacement of a single flooring element in the area using a plunge saw
- Optional: Replacement of a single flooring element in the area by opening joints at the short side.

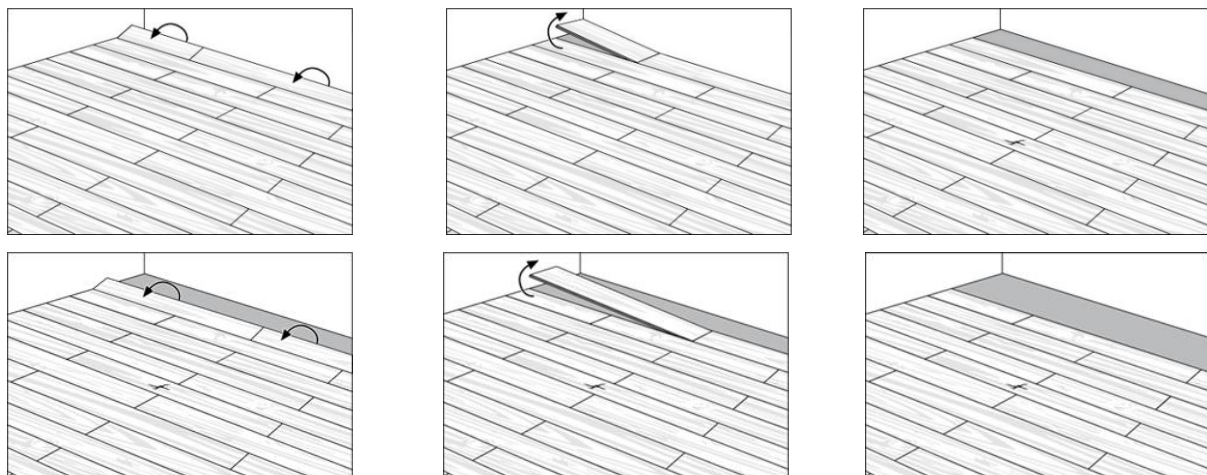
Wear suitable protective equipment such as safety goggles, dust mask and gloves when sawing/ cutting the planks.

1. Replacement by removing a partial area

If the furniture allows it, the floating EGGER flooring is removed in rows starting from the nearest wall and until the damaged flooring element. Given that the CLIC it! locking system also allows the flooring elements to be installed backwards, they can also be dismantled / removed from the side of the room where the installation was started.



After removing the skirtings, the complete row is lifted and angled out lengthwise. Then the individual head sides are separated by angling. It is advisable to store the removed elements in rows, which makes it easier to reinstall them later. After the damaged element has been replaced, the flooring surface is completed again (according to the installation instructions).



2. Replacement of a single element in the surface

If, due to the furniture or other circumstances, replacement by removing a partial area is not possible and/or appropriate, a single element in the area (surface) can be replaced as described below.

Experience shows that new work processes do not always run smoothly. It is therefore advisable to carry out the first replacement of floorboards as an exercise in your workshop.

2.1. What do you need for the floorboard replacement?

2.1.1. Replacement element

You will need a replacement element for the exchange. The replacement element is ideally from the same production batch as the flooring area. It is absolutely necessary to store and acclimatise the replacement elements unpacked for one week in the room where the floorboards are replaced, in order to achieve the necessary dimensional equalisation between the installed floor and the replacement element.

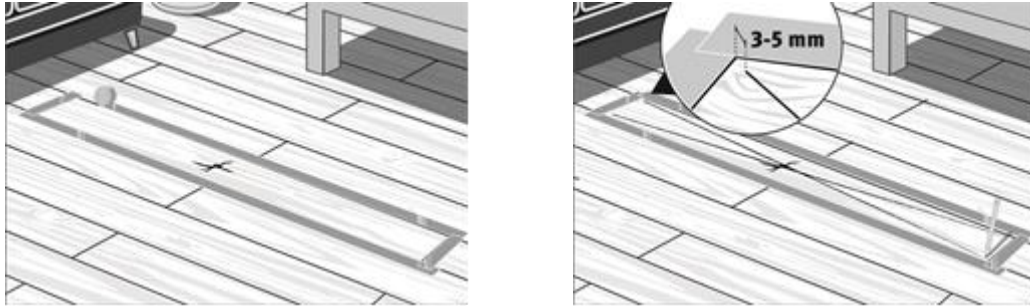
2.1.2. Tools

You will need the following for the floorboard replacement:

- Underlay for the tool
- Pencil or Edding
- Masking tape
- Plunge saw / hand-held circular saw
- Guide rail for the plunge saw
- Vacuum cleaner
- A sharp chisel (broach)
- A hammer
- A glass lifter (glass suction cup)
- D3 wood glue (PVAC)
- Weights
- Blocks (10 cm longer than the width of the flooring elements)
- Decor Mix & Fill, if necessary hard wax or wood putty, retouching pens
- Vapour-proof adhesive tape to repair any damage in the underlay .

2.2. Marking the cuts

Mark the damaged element by marking the cutting pattern, which ends in the corner areas with a distance of 3 to 5 mm to the edge of the floorboard (see diagram on the right). Stick the adjoining flooring elements with masking tape in the edge area (see diagram on the left). This protects the edge areas and helps to visually limit the floorboard dimensions.

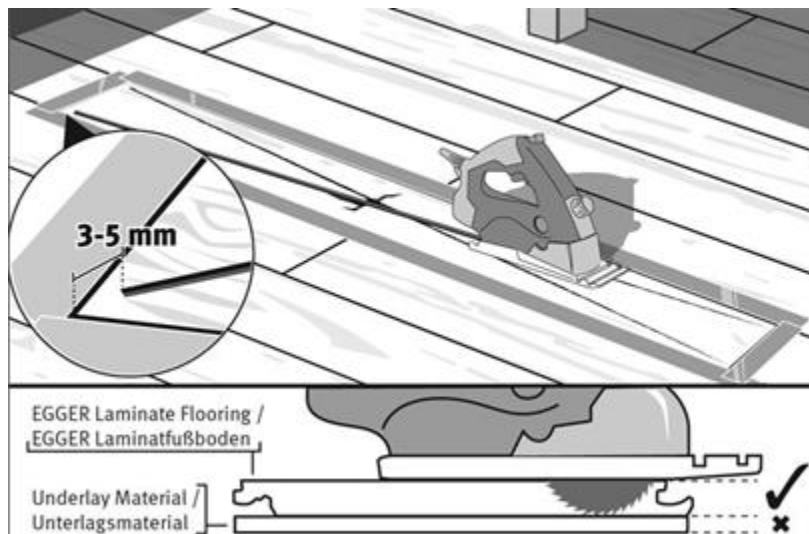


2.3. Sawing

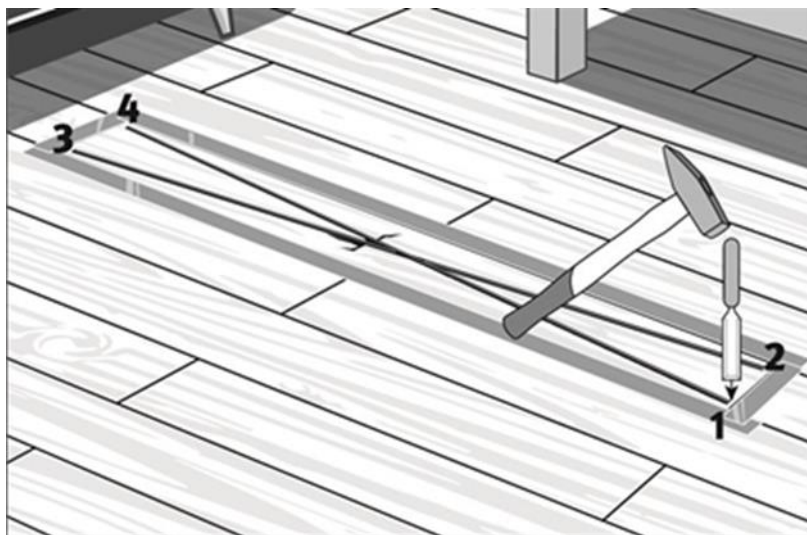
Before you start,

- adjust the exact cutting depth of the plunge saw (see diagram: depth of cut = element thickness + height of the guide rail) to prevent damage to the underlay materials. If the insulation underlay is damaged repair it with the vapour-proof adhesive tape.
- Connect the vacuum cleaner to the saw.
- You can also drill small holes in the 4 corner areas to protect the edges.

Cut the element which must be replaced into 4 sections with 2 diagonal cuts along the drawn cutting pattern (see diagram), ending with the cut 3 to 5 mm before the floorboard edge.

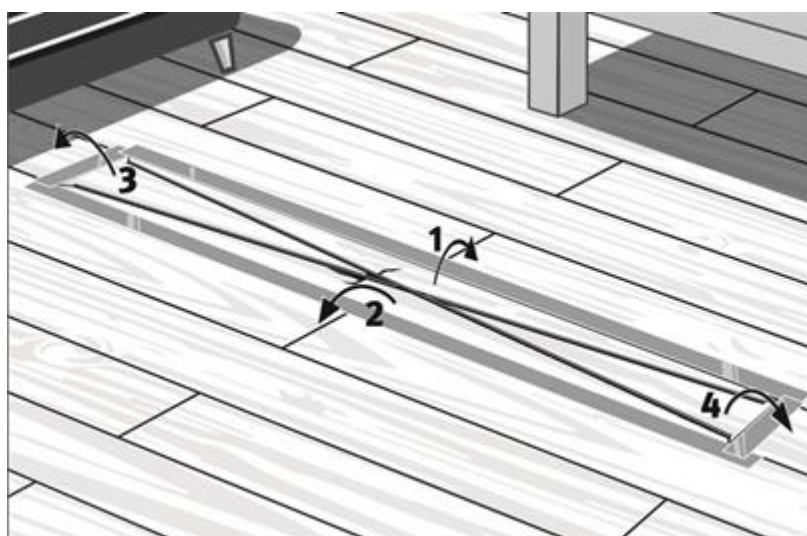


Carefully cut through the last millimetres of the remaining board in the corner area with a chisel, working away from the edge of the board to avoid damaging the adjacent elements.



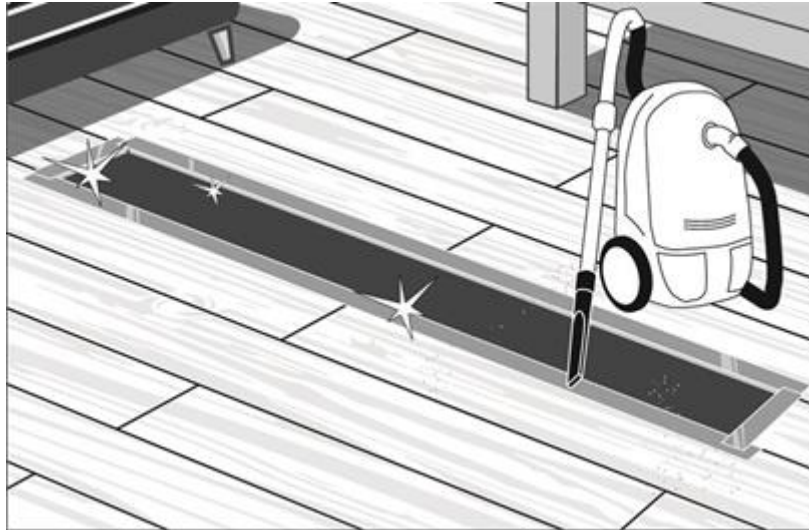
2.4. Removal of the element*

Now carefully lift the 4 pieces in the given order (see diagram) and angle them out.



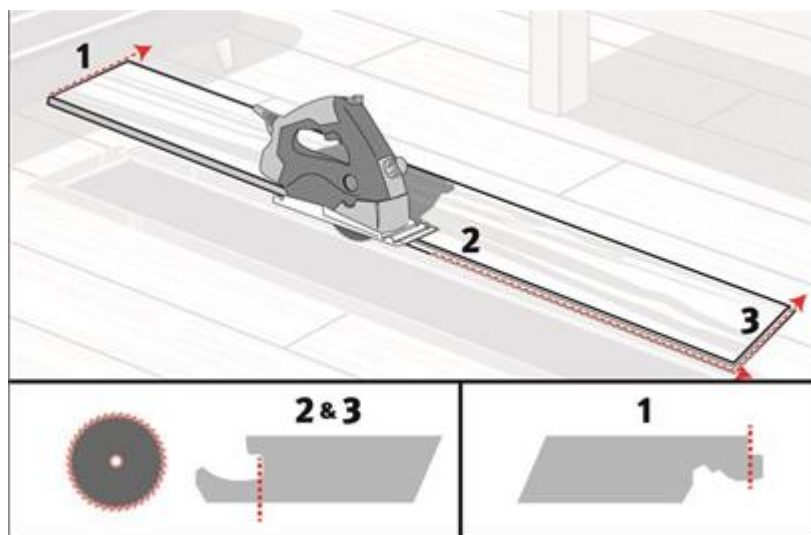
2.5. Cleaning

For a perfect fit (without height offset), a thorough cleaning with a vacuum cleaner of the surrounding tongue and groove areas and the subfloor is necessary, thus easily removing all remaining parts / dirt particles.



2.6. Prepare replacement element*

On the replacement element, undercut the longitudinal and head-side convex groove down to the bottom of the groove (see diagram no. 2 & 3) and cut off the head-side tongue flush (see diagram no. 1). Make sure that you set the saw to the correct cutting depth here too.

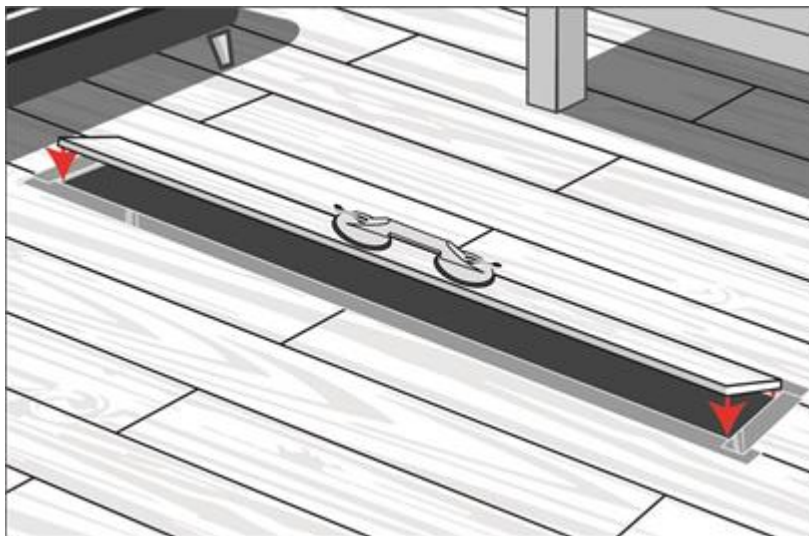


(*This step can also be done in advance in the workshop).

2.7. Checking the fit

To check whether the replacement element fits, proceed as follows:

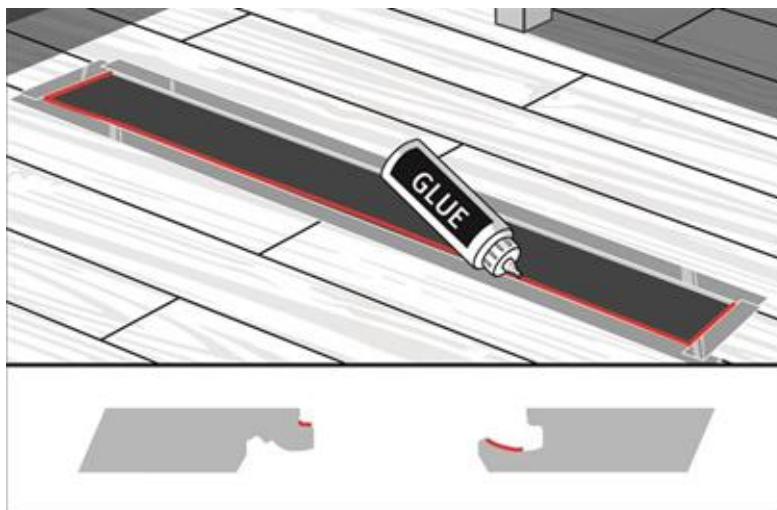
1. Do not yet apply any adhesive (glue).
2. Attach the glass lifter to the replacement element and lock the long side of the element by inserting it with the tongue side diagonally from above into the longitudinal groove of the adjacent element and engaging it by lowering it (see diagram).
3. Now check the accuracy of fit and remove the element with the glass suction cup.
4. It may be necessary to slightly rework the replacement element. Since this usually only involves 1/10 of a millimetre, in most cases it is sufficient to touch up with 100-grit sanding paper.



2.8. Gluing and installation

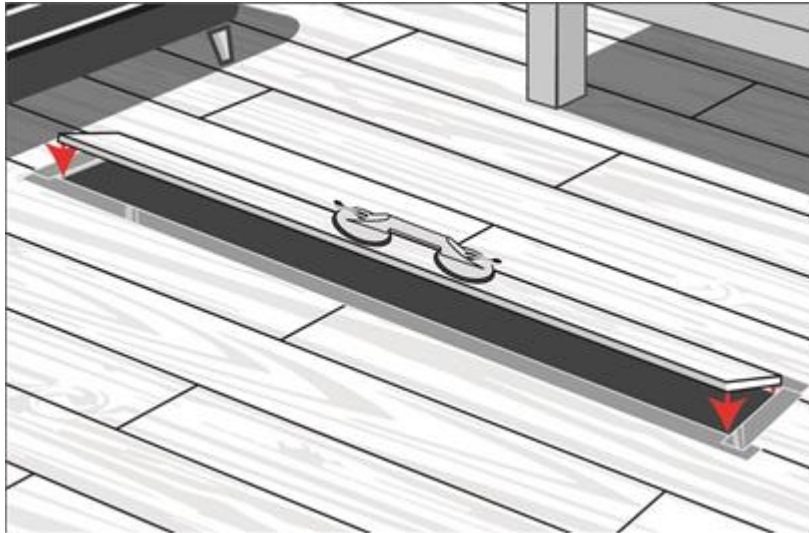
2.8.1. Gluing

As the click connection of the replacement element has been reworked as described in point 2.6. (groove crosswise & lengthwise and tongue crosswise), the replacement element must be "glued in" in the modified connection areas. A D3 wood glue (PVAC) must be used for this purpose. Apply the white glue in measured doses and in targeted quantities on the top of the tongue and in the grooves of the adjacent flooring elements (see diagram).

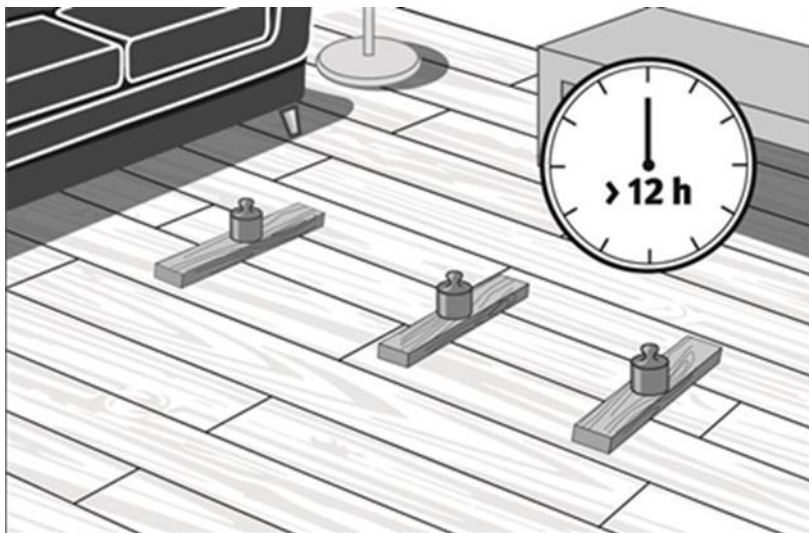


2.8.2. Installation

Now insert the replacement element as described in point 2.7. and check the fitting accuracy again.



Then weigh down the newly inserted flooring element for at least 12 hours (e.g. with books, tool boxes) so that the glue can harden. It is recommended not to load / walk on the repaired area during this time.



Remove leaking adhesive (glue) in a timely manner (according to the manufacturer's instructions) with a damp cloth. If there are still minor joints after cleaning, fill them with Decor Mix and Fill to match the colour.

3. Replacement of a single element by opening the short side

If, due to the furniture or other circumstances, replacement as described under points 1 or 2 is not possible and/or appropriate, a single element can be replaced, optionally also as described below.

ATTENTION: This method can only be used for EGGER flooring with the CLIC *it!* installation system and only if the flooring area has a surrounding wall distance of at least 10 mm.

3.1. What do you need for the floorboard replacement?

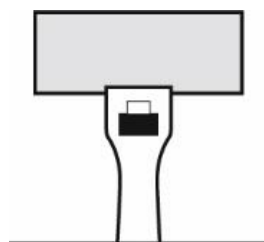
3.1.1. Replacement element

You will need a replacement element for the exchange. Ideally, the replacement element should be from the same production batch as the flooring. It is absolutely necessary to store and acclimatise the replacement elements unpacked for one week in the room where the floorboards are replaced, in order to achieve the necessary dimensional equalisation between the installed floor and the replacement element.

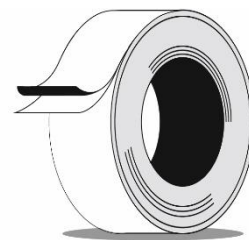
3.1.2. Tools

You will need the following for the floorboard replacement:

- Repair tools, such as the "Quick-Step UniFix Repair Tool" or a comparable tool
- Double-sided adhesive tape
- Underlay for the tool
- Pencil or Edding
- Plunge saw / hand-held circular saw
- Guide rail for the plunge saw
- Vacuum cleaner
- A hammer
- A glass lifter (glass suction cup)
- D3 wood glue (PVAC)
- Weights and blocks (10 cm longer than the width of the flooring elements)
- Vapour-proof adhesive tape to repair any damaged impact sound underlay



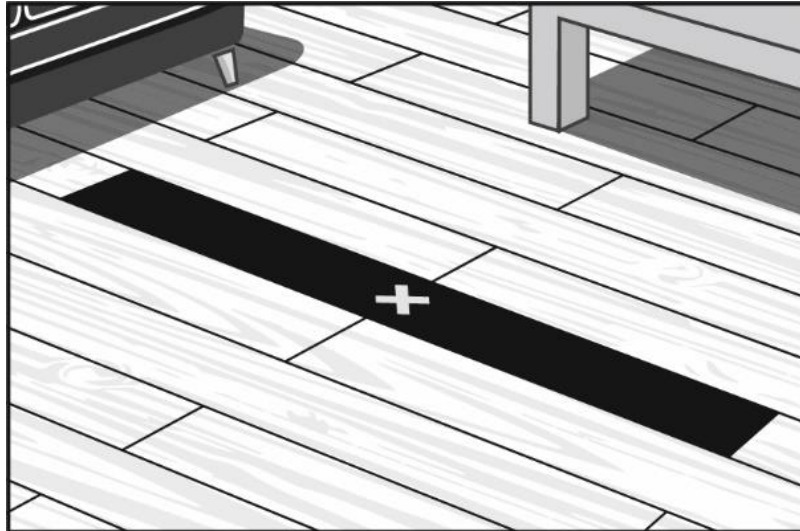
Repair tool



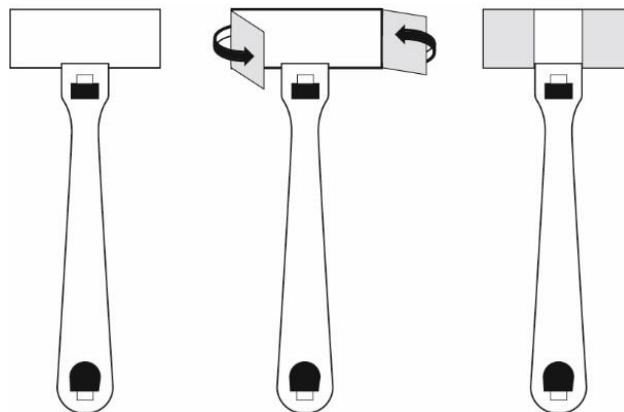
strong double-sided adhesive tape

3.2. Marking the cutting pattern and preparing the repair tool

Mark the damaged element and draw the cutting line in the middle of the floorboard length.

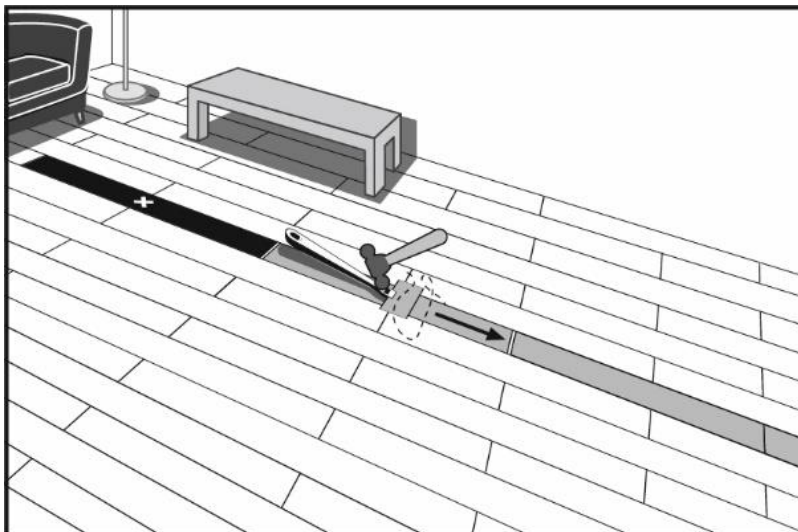
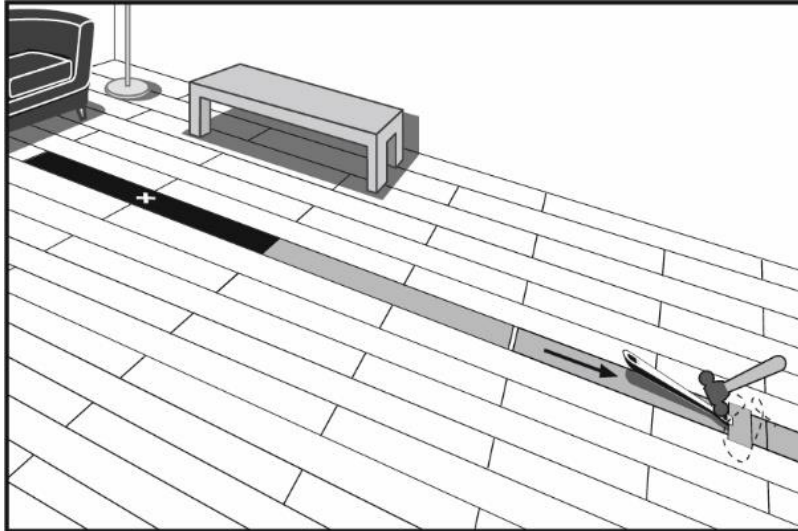


Prepare the repair tool with the double-sided adhesive tape.

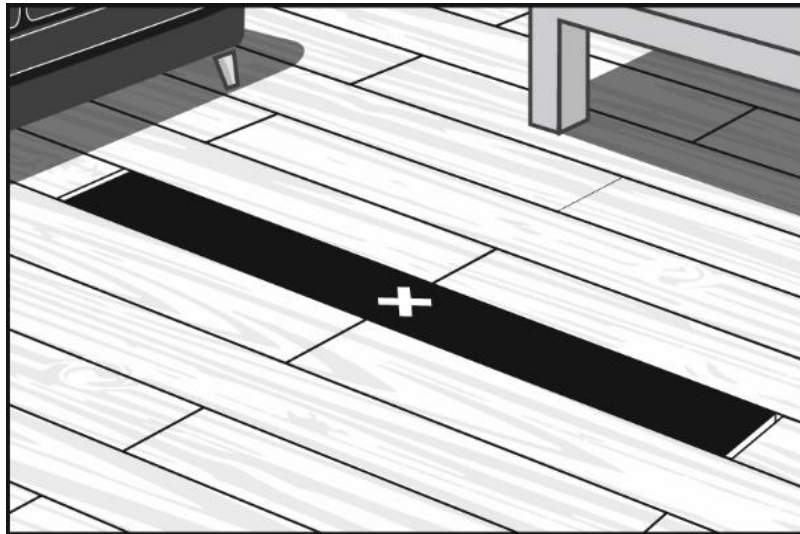


3.3. Removal of the element

Place the repair tool on the first element in the row containing the damaged flooring element and tap this outer element towards the wall until the short side clic connection is completely unlocked / opened (see diagram). Then detach the repair tool from this element, place it on the second element of the row and unlock this short side clic connection again by tapping it horizontally apart. Repeat this procedure until the damaged flooring element is reached and its front side is exposed (see diagram). Repeat the same procedure on the opposite side until the short side clic connection of the damaged flooring element is exposed.



The damaged flooring element is now unlocked on both ends.



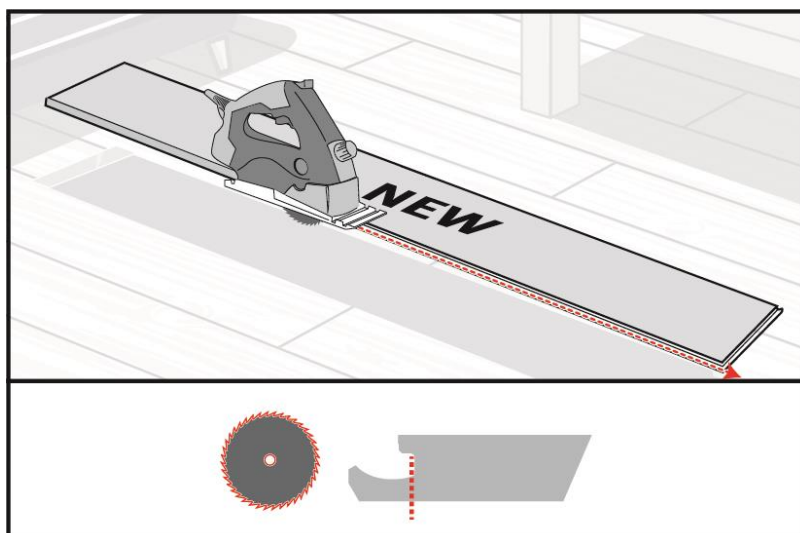
Now cut the exposed "damaged" element in the middle in the longitudinal direction and angle out the two sections. Before making the saw cut, adjust the exact depth of cut of the plunge saw (depth of cut = element thickness + height of guide rail) to avoid damaging the underlay materials and connect the vacuum cleaner to the saw. If the insulating underlay is damaged nevertheless, repair it with the vapour-proof adhesive tape.

3.4. Cleaning

For a perfect fit (without height offset) a thorough cleaning with a vacuum cleaner of the surrounding tongue and groove areas and the subfloor is necessary, thus easily removing all remaining / dirt particles.

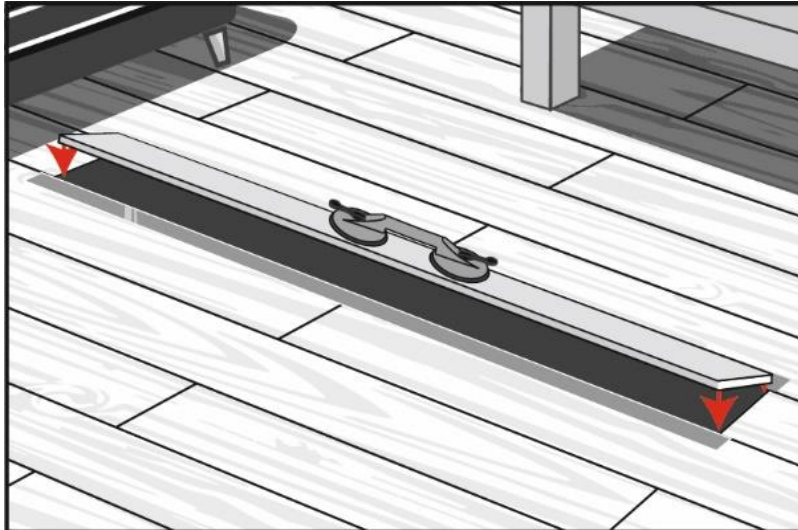
3.5. Preparing the replacement element

On the replacement element, undercut the longitudinal groove down to the bottom of the groove (see diagram). This work step can also be carried out in the workshop in advance.

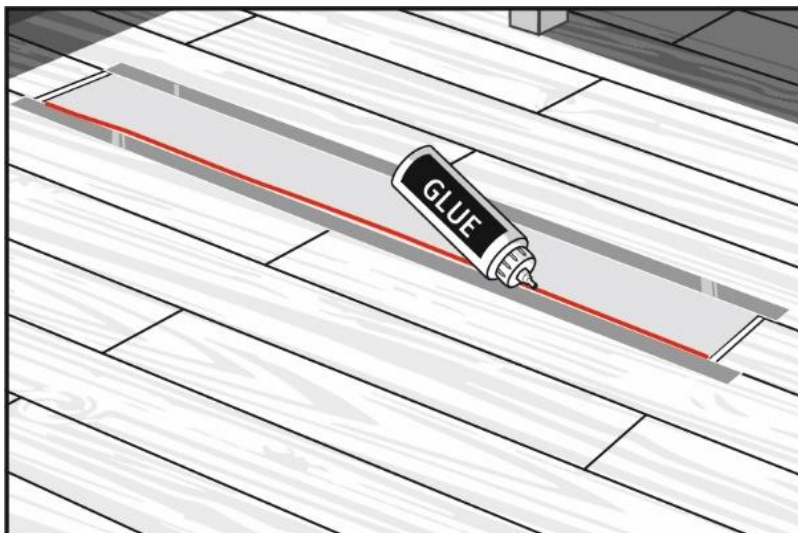


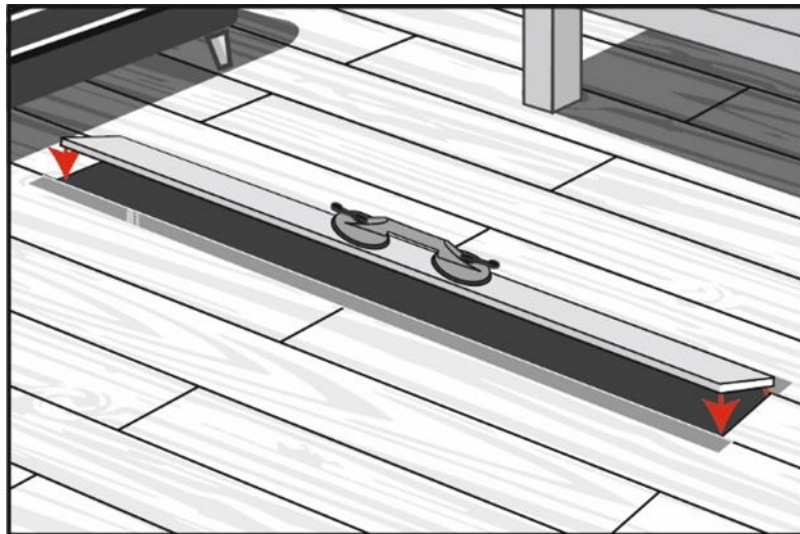
3.6. Inserting the replacement element

Angle in the replacement element lengthwise, check the fit and angle it out again.



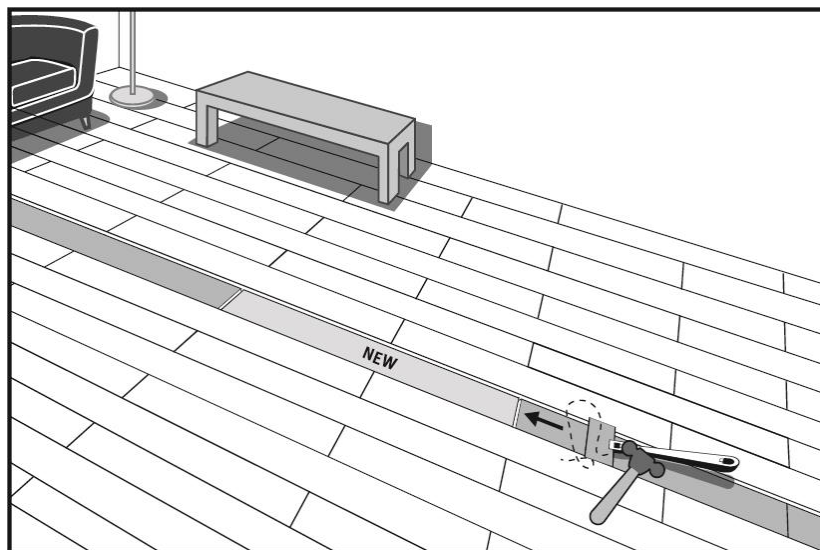
If the fit is accurate, the replacement element is glued into the longitudinal groove area with D3 wood glue and inserted in the correct position.

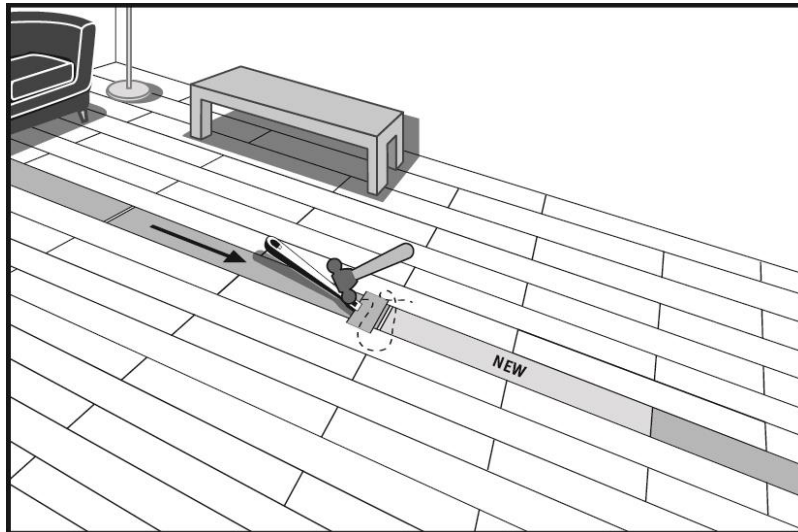




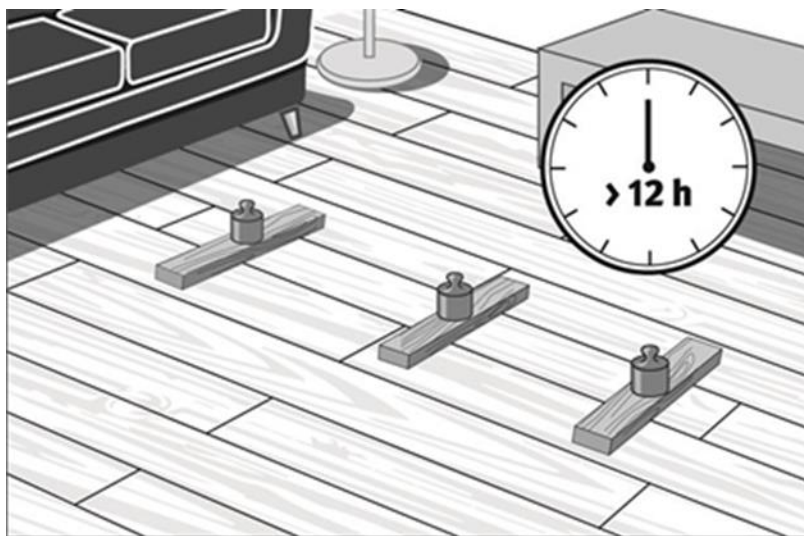
3.7. Closing the row

Weigh down the newly inserted flooring element and close / lock all short sides joints by tapping them horizontally with the repair tool.





It is recommended not to load the repaired area for at least 12 hours to allow the glue to harden. Remove leaking adhesive (glue) in a timely manner (according to the manufacturer's instructions) with a damp cloth.



Provisional note:

These processing instructions were prepared based on the best available information and with due diligence. The information provided is based on practical experience, in-house testing and reflects our current level of knowledge. It is intended for information only and does not constitute a guarantee in terms of product properties or suitability for specific applications. We accept no liability for any mistakes, errors in standards, or printing errors. In addition, technical changes may result from the further development of EGGER flooring as well as changes to standards and public law documents. Therefore, the content of these processing instructions cannot serve as a legally binding basis. Our General Conditions of Sale and Incoterms apply.