



LV-N11CP

Amplifier, M8 Connector, Main unit, PNP



Specifications

Model	LV-N11CP	
Type	1 output	
Output	PNP	
Cable/connector	M8 connector	
Main/Expansion unit	Main unit	
I/O	Control outputs	1 output
	External input	1 input
	Monitor output	None
Output selection	LIGHT-ON/DARK-ON (switch-selectable)	
Timer function	Timer OFF/OFF-delay timer/ON-delay timer/One-shot timer, Timer duration selectable: 1 ms to 9,999 ms, Maximum error against the setting value: ±10% max.	
Control outputs	PNP open collector 30 V, Residual voltage 1.2 V or less (Output current: 10 mA or less) / 2.2 V or less (Output current: 10 to 100 mA) (Stand-alone) 1 output max: 100 mA or less, 2 output total: 100 mA or less (Multiple connections) 1 output max: 20 mA or less	
Response time	80 μs (HIGH SPEED)/250 μs (FINE)/500 μs (TURBO)/1 ms (SUPER)/4 ms (ULTRA)/16 ms (MEGA) *1	
Monitor output	-	
External input	Input time 2 ms (ON)/20 ms (OFF) or more*2	
Number of interference prevention units	Connected to other than LV-S31: 0 for HIGH SPEED; 2 for FINE/TURBO/SUPER; 4 for ULTRA/MEGA, Connected to LV-S31: 2 for FINE; 4 for TURBO/SUPER/ULTRA/MEGA*3	
Case size	H 32.6 mm 1.28" × W 9.8 mm 0.39" × L 78.7 mm 3.1"	
Unit expansion	Up to 17 units can be connected in total (two-output type is treated as two units)	
Protection circuit	Reverse polarity protection, Over-current protection, Surge absorber	
Rating	Power voltage	24 VDC (operating voltage 10 to 30 VDC (with ripple)), Ripple (P-P) 10 % or less, Class 2 or LPS*4*5
	Power consumption	Normal: 950 mW or less (at 30 V, 33 mA at 24 V, 60 mA or less at 12 V)*6 Eco on mode: 815 mW or less (at 30 V, 29 mA at 24 V, 52 mA or less at 12 V)*6 Eco Full mode: 650 mW or less (at 30 V, 24 mA at 24 V, 40 mA or less at 12 V)*7
Environmental resistance	Ambient temperature	-20 to +55 °C -4 to 131 °F (No freezing)*8
	Relative humidity	35 to 85 % RH (No condensation)
	Vibration resistance	10 to 55 Hz, Double amplitude 1.5 mm 0.06", 2 hours in each of the X, Y, and Z directions
	Shock resistance	500 m/s ² , 3 times in each of the X, Y, and Z directions
Material	Cable	PVC
	Case	Main unit and cover material: Polycarbonate
Weight	Approx. 20 g	

*1 80 μ s cannot be selected when the LV-S31/S62/S63 is connected

*2 Input time is 25 ms (ON)/25 ms (OFF) when external calibration time is selected.

*3 These numbers double when "DOUBLE" is selected.

*4 Use with the over current protection device which is rated 30 V or more and not more than 1 A.

*5 To connect more than 9 units, the power voltage must be 20 V or more.

*6 Increases 30 mW (1 mA) for HIGH SPEED mode.

*7 It increases by 15% when connected to the LV-NH100/NH110/NH300. It does not include the power consumption of the load.

Power consumption when expansion units are connected is the total power consumption of each amplifier unit. Example: When one main unit (LV-N11N) is connected to 2 expansion units (LV-N12N) and they are used with LV-NH100 heads in HIGH SPEED mode.

$(1.15 \times 860 \text{ mW} \times 1) + (1.15 \times 860 \text{ mW} \times 2) = 2967 \text{ mW max.}$

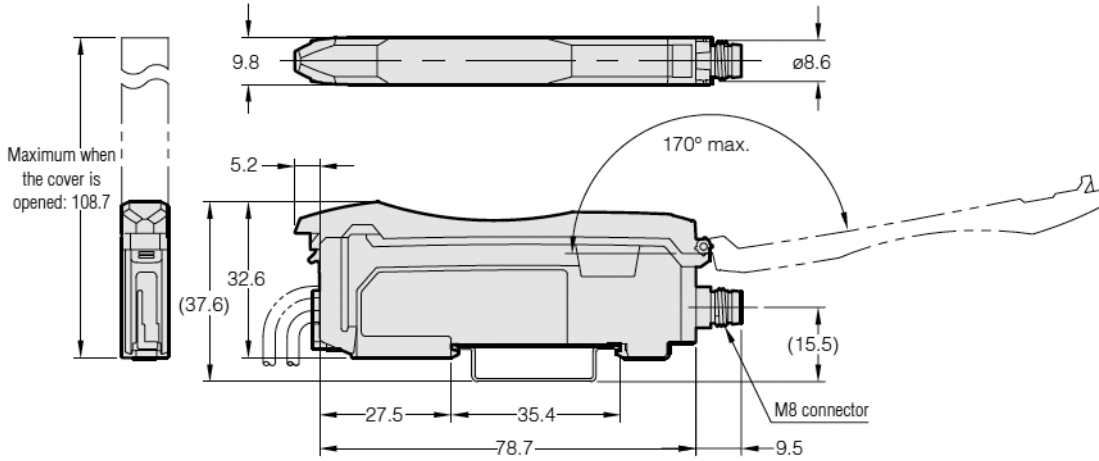
*8 If more than one unit is used together, the ambient temperature varies with the conditions below. Mount the units on the DIN rail with mounting brackets and check that the output current is 20 mA or less for a unit.

One or two more units connected: -20 to +55 °C **-4 to 131 °F**; 3 to 10 more units connected: -20 to +50 °C **-4 to 122 °F**; 11 to 16 more units connected: -20 to +45 °C **-4 to 113 °F**. When using 2-outputs, one unit is counted as two units.

Dimensions

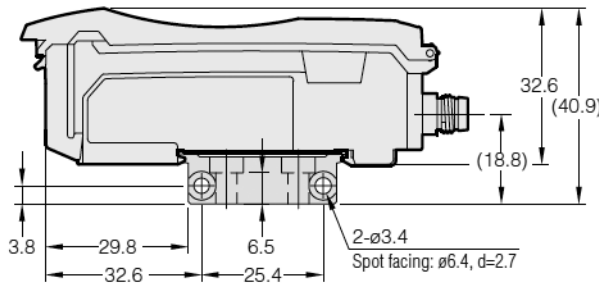
* Download CAD file or product manual for larger image/text and more detail.

LV-N11CN / N11CP M8 connector type, Main unit

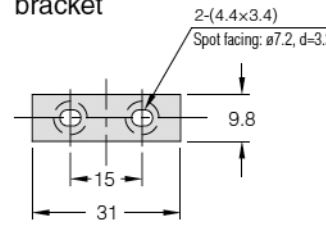


When the mounting bracket is attached (OP-73880 sold separately)

M8 connector type



Reverse side of mounting bracket



Material: Polycarbonate

M8 connector cable (OP-73864 / 73865 sold separately)

Cable length	L(m)
OP-73864	2
OP-73865	10

