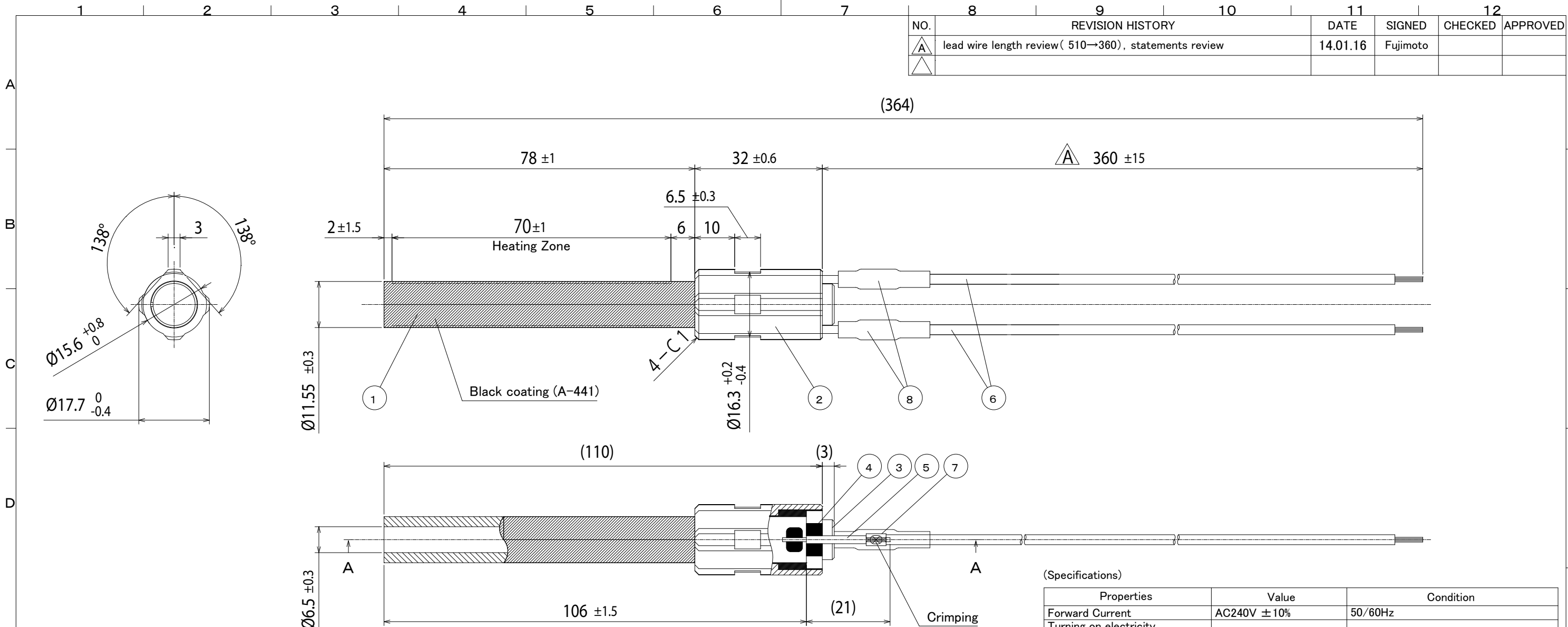
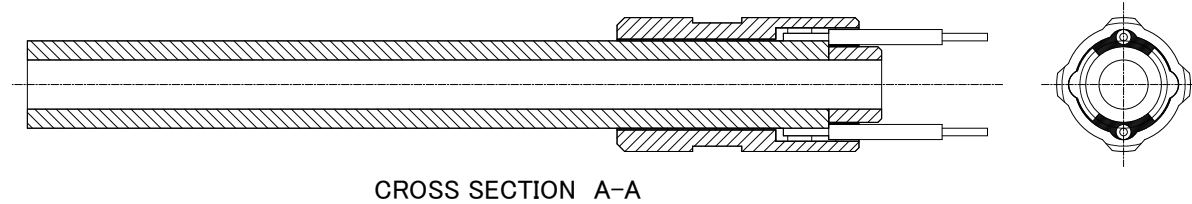


NO.	REVISION HISTORY	DATE	SIGNED	CHECKED	APPROVED
△A	lead wire length review (510→360) , statements review	14.01.16	Fujimoto		



(Specifications)

Properties	Value	Condition
Forward Current	AC240V ±10%	50/60Hz
Turning on electricity		
1.Rising time	Over 820°C within 60s	Applied at AC240V and 23°C ambient temperature
2.Inrush current	Behind 7A	
3.Minimum Wattage	Over 300W	
4.Minimum temperature	Over 870°C	
Normal temperature resistance	40.15~49.13 Ω	23±1 °C ambient temperature
Insulation resistance	Over 50MΩ	Applied at both side of Heating element DC500V at normal temperature and humidity
Withstand voltage	Current Leakage below 5mA	Applied at both side of Heating element AC1500V for 1 s at normal temperature and humidity rate
Caulking strength (Nickel wire and lead wire)	Over 29.4N (Over 3kg f)	The nickel wire has been clamp and the lead part has been tested with push-pull gauge
Discontinuous conduction (Heating element)	Without break	Applied at 264V for 4 min On/5 min off (Forced cooling) for over 3000 cycles.



CROSS SECTION A-A

(Statements)
 △ 1. This product comply with RoHS and REACH standard.

NO.	NAME	PCS.	DRAWING NO.	MATERIAL/DIMENSION	MODEL NUMBER	OTHER
8	HEAT SHRINKABLE TUBE	2	FEA-TS011	SST, Ø4 × 25L	SILICONE	180°C
7	CONNECTOR	2		Cu, tin-plating	29071-1	29071-1
6	LEAD WIRE	2	FEA-RG092	RS-GE, 0.5sq, W	SILICONE-GLASS	180°C
5	INSULATOR TUBE	2	FEA-TP003	PTFE, AWG18-15L		
4	CERAMIC-SEALING			FUJICERAM-W		FKK
3	CERAMIC CAP	1	FEA-GA518	ALUMINA 95		non-Glaze
2	INSULATOR	1	FEA-GA516	ALUMINA 95		non-Glaze
1	HEATING ELEMENT	1	FEA-EA041	ALUMINA(A473)	B/240V-FCL	

NAME					
PSx-2-240-B					
(FKK-Standard Pellet system heater)					
MATERIAL			DATE		
			2013.05.20		
APPROVED	T.Murakami	THIRD ANGLE PROJECTION	CODE		
CHECKED	R.Toyokawa				
CHARGED	S.Kimura				
DESIGNED	R.Toyokawa	SCALE	DRAWING NO.		REV
DRAWN	R.Toyokawa	1:1	IBA-HH005		A

Proprietary statement This drawings is the proprietary of FKK Corporation. In case of non-respect of the present term, FKK may take action and ask for damages.

FKK CORPORATION