

### Tripod Series Dimension Table

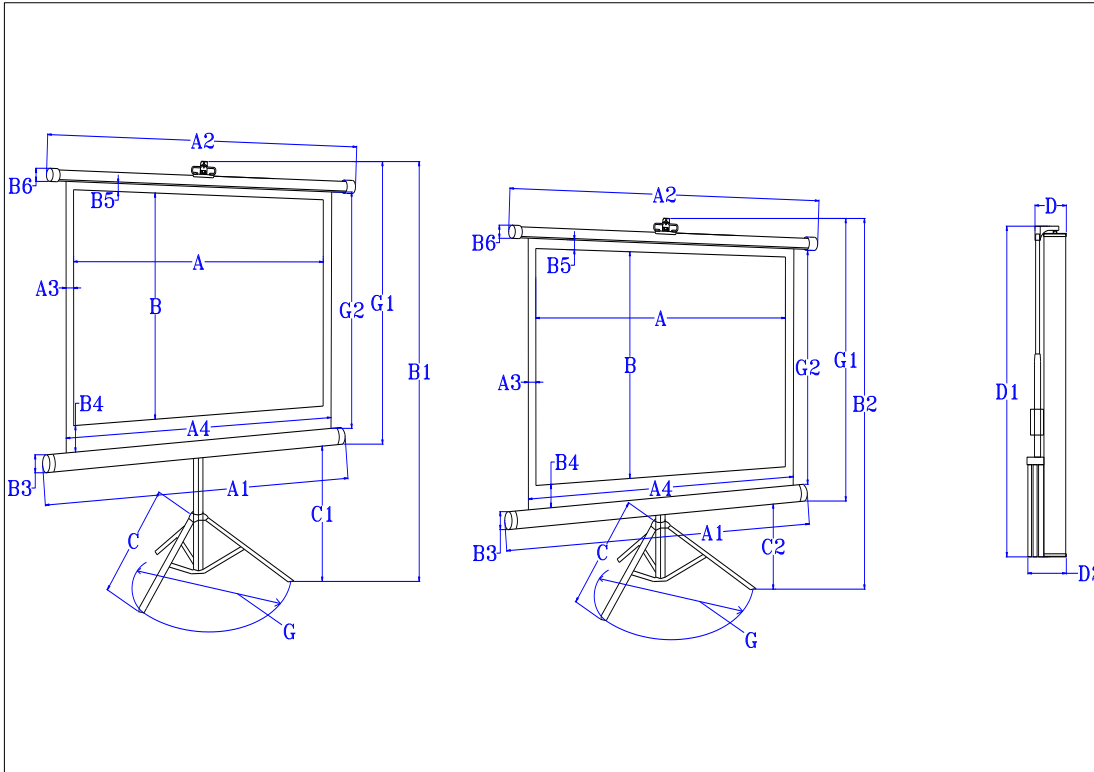
Unit: mm

Model Number	Diagonal Size	View W.(A)	Case L.(A1)	Top Bar Length (A2)	L/R black masking (A3)	Screen W.(A4)	View H.(B)	Top of Screen at Max. H.(B1)	Top of Screen at Min. H.(B2)	B3	Bottom Border (B4)	Top Border (B5)	Top Bar Diameter (B6)	Leg length (C)	Max. Case H. (C1)	Min. Case H.(C2)	D	Case L. Closed (D1)	Case W. Closed (D2)	Leg Diameter (G)	G1	G2
T50UWS1	50"(1:1)	889	1015	1005	20	929	889	1840	1254	70	0	0	27	330	816	230	105	1041	150	600	1024	889
T71NWS1	71"(1:1)	1275	1442	1432	38	1351	1275	2435	2000	70	125	35	27	630	865	430	105	1468	150	1100	1570	1435
T71UWS1	71"(1:1)	1275	1442	1432	38	1351	1275	2435	2000	70	125	35	27	630	865	430	105	1468	150	1100	1570	1435
T85NWS1	85"(1:1)	1527	1696	1686	38	1603	1527	2685	2197	70	70	35	27	630	918	430	105	1722	150	1100	1767	1632
T85UWS1	85"(1:1)	1527	1696	1686	38	1603	1527	2685	2197	70	70	35	27	630	918	430	105	1722	150	1100	1767	1632
T99NWS1	99"(1:1)	1778	1955	1945	38	1854	1778	2885	2500	70	122	35	27	630	815	430	105	1981	150	1100	2070	1935
T99UWS1	99"(1:1)	1778	1955	1945	38	1854	1778	2885	2500	70	122	35	27	630	815	430	105	1981	150	1100	2070	1935
T113NWS1	113"(1:1)	2030	2204	2194	38	2106	2030	3185	2700	70	70	35	27	630	915	430	105	2230	150	1100	2270	2135
T113UWS1	113"(1:1)	2030	2204	2194	38	2106	2030	3185	2700	70	70	35	27	630	915	430	105	2230	150	1100	2270	2135
T119NWS1	119"(1:1)	2137	2305	2295	38	2213	2137	3185	2807	70	70	35	27	630	808	430	105	2331	150	1100	2377	2242
T119UWS1	119"(1:1)	2137	2305	2295	38	2213	2137	3185	2807	70	70	35	27	630	808	430	105	2331	150	1100	2377	2242
T136NWS1	136"(1:1)	2442	2601	2591	30	2502	2442	3585	3132	70	70	35	27	630	883	430	105	2627	150	1100	2702	2547
T136UWS1	136"(1:1)	2442	2601	2591	30	2502	2442	3585	3132	70	70	35	27	630	883	430	105	2627	150	1100	2702	2547
T80UWH	80"(4:3)	1626	1795	1785	38	1702	1219	2435	1889	70	70	35	27	630	976	430	105	1821	150	1100	1459	1324
T84UWH	84"(4:3)	1707	1880	1870	38	1783	1280	2435	2000	70	120	35	27	630	865	430	105	1906	150	1100	1570	1435
T100UWH	100"(4:3)	2032	2204	2194	38	2108	1524	2885	2194	70	70	35	27	630	1121	430	105	2230	150	1100	1764	1629
T120UWH	120"(4:3)	2438	2601	2591	38	2514	1829	3185	2519	70	70	35	27	630	1096	430	105	2627	150	1100	2089	1934
T120UWH1	120"(4:3)	2438	2601	2591	38	2514	1829	3185	2519	70	70	35	27	630	1096	430	105	2627	150	1100	2089	1934
T60UWH	60"(16:9)	1269	1498	1488	38	1345	736	2435	1406	70	70	35	27	630	1459	430	105	1524	150	1100	976	841
T72UWH	72"(16:9)	1600	1763	1753	38	1676	888	2435	1558	70	70	35	27	630	1307	430	105	1789	150	1100	1128	993
T92UWH	92"(16:9)	2037	2204	2194	38	2113	1146	2885	1816	70	70	35	27	630	1499	430	105	2230	150	1100	1386	1251
T100UWH	100"(16:9)	2214	2387	2377	38	2290	1245	2885	1915	70	70	35	27	630	1400	430	105	2413	150	1100	1485	1350
T120UWH	120"(16:9)	2657	2819	2809	38	2733	1494	3585	2184	70	70	35	27	630	1831	430	105	2845	150	1100	1754	1599

Unit: Inch

Model Number	Diagonal Size	View W.(A)	Case L.(A1)	Top Bar Length (A2)	L/R black masking (A3)	Screen W.(A4)	View H.(B)	Top of Screen at Max. H.(B1)	Top of Screen at Min. H.(B2)	B3	Bottom Border (B4)	Top Border (B5)	Top Bar Diameter (B6)	Leg length (C)	Max. Case H. (C1)	Min. Case H.(C2)	D	Case L. Closed (D1)	Case W. Closed (D2)	Leg Diameter (G)	G1	G2
T50UWS1	50"(1:1)	35.0	40.0	39.6	0.8	36.6	35.0	72.4	49.4	2.8	0.0	0.0	1.1	13.0	32.1	9.1	4.1	41.0	5.9	23.6	40.3	35.0
T71NWS1	71"(1:1)	50.2	56.8	56.4	1.5	53.2	50.2	95.9	78.7	2.8	4.9	1.4	1.1	24.8	34.1	16.9	4.1	57.8	5.9	43.3	61.8	56.5
T71UWS1	71"(1:1)	50.2	56.8	56.4	1.5	53.2	50.2	95.9	78.7	2.8	4.9	1.4	1.1	24.8	34.1	16.9	4.1	57.8	5.9	43.3	61.8	56.5
T85NWS1	85"(1:1)	60.1	66.8	66.4	1.5	63.1	60.1	105.7	86.5	2.8	2.8	1.4	1.1	24.8	36.1	16.9	4.1	67.8	5.9	43.3	69.6	64.3
T85UWS1	85"(1:1)	60.1	66.8	66.4	1.5	63.1	60.1	105.7	86.5	2.8	2.8	1.4	1.1	24.8	36.1	16.9	4.1	67.8	5.9	43.3	69.6	64.3
T99NWS1	99"(1:1)	70.0	77.0	76.6	1.5	73.0	70.0	113.6	98.4	2.8	4.8	1.4	1.1	24.8	32.1	16.9	4.1	78.0	5.9	43.3	81.5	76.2
T99UWS1	99"(1:1)	70.0	77.0	76.6	1.5	73.0	70.0	113.6	98.4	2.8	4.8	1.4	1.1	24.8	32.1	16.9	4.1	78.0	5.9	43.3	81.5	76.2
T113NWS1	113"(1:1)	79.9	86.8	86.4	1.5	82.9	79.9	125.4	106.3	2.8	2.8	1.4	1.1	24.8	36.0	16.9	4.1	87.8	5.9	43.3	89.4	84.1
T113UWS1	113"(1:1)	79.9	86.8	86.4	1.5	82.9	79.9	125.4	106.3	2.8	2.8	1.4	1.1	24.8	36.0	16.9	4.1	87.8	5.9	43.3	89.4	84.1
T119NWS1	119"(1:1)	84.1	90.7	90.4	1.5	87.1	84.1	125.4	110.5	2.8	2.8	1.4	1.1	24.8	31.8	16.9	4.1	91.8	5.9	43.3	93.6	88.3
T119UWS1	119"(1:1)	84.1	90.7	90.4	1.5	87.1	84.1	125.4	110.5	2.8	2.8	1.4	1.1	24.8	31.8	16.9	4.1	91.8	5.9	43.3	93.6	88.3
T136NWS1	136"(1:1)	96.1	102.4	102.0	1.2	98.5	96.1	141.1	123.3	2.8	2.8	1.4	1.1	24.8	34.8	16.9	4.1	103.4	5.9	43.3	106.4	100.3
T136UWS1	136"(1:1)	96.1	102.4	102.0	1.2	98.5	96.1	141.1	123.3	2.8	2.8	1.4	1.1	24.8	34.8	16.9	4.1	103.4	5.9	43.3	106.4	100.3
T84UWH	84"(4:3)	67.2	74.0	73.6	1.5	70.2	50.4	95.9	78.7	2.8	4.7	1.4	1.1	24.8	34.1	16.9	4.1	75.0	5.9	43.3	61.8	56.5
T100UWH	100"(4:3)	80.0	86.8	86.4	1.5	83.0	60.0	113.6	86.4	2.8	2.8	1.4	1.1	24.8	44.1	16.9	4.1	87.8	5.9	43.3	69.4	64.1
T120UWH	120"(4:3)	96.0	102.4	102.0	1.5	99.0	72.0	125.4	99.2	2.8	2.8	1.4	1.1	24.8	43.1	16.9	4.1	103.4	5.9	43.3	82.2	76.1
T120UWH1	120"(4:3)	96.0	102.4	102.0	1.5	99.0	72.0	125.4	99.2	2.8	2.8	1.4	1.1	24.8	43.1	16.9	4.1	103.4	5.9	43.3	82.2	76.1
T60UWH	60"(16:9)	50.0	59.0	58.6	1.5	53.0	29.0	95.9	55.4	2.8	2.8	1.4	1.1	24.8	57.4	16.9	4.1	60.0	5.9	43.3	38.4	33.1
T72UWH	72"(16:9)	63.0	69.4	69.0	1.5	66.0	35.0	95.9	61.3	2.8	2.8	1.4	1.1	24.8	51.5	16.9	4.1	70.4	5.9	43.3	44.4	39.1
T92UWH	92"(16:9)	80.2	86.8	86.4	1.5	83.2	45.1	113.6	71.5	2.8	2.8	1.4	1.1	24.8	59.0	16.9	4.1	87.8	5.9	43.3	54.6	49.3
T100UWH	100"(16:9)	87.2	94.0	93.6	1.5	90.2	49.0	113.6	75.4	2.8	2.8	1.4	1.1	24.8	55.1	16.9	4.1	95.0	5.9	43.3	58.5	53.1
T120UWH	120"(16:9)	104.6	111.0	110.6	1.5	107.6	58.8	141.1	86.0	2.8	2.8	1.4	1.1	24.8	72.1	16.9	4.1	112.0	5.9	43.3	69.1	63.0

The listed measurements are for general reference only. Please contact Elite Screens to verify product design and dimensions before attempting to integrate its products with any structural or furniture modification. Although a manufacturer may offer product advice, it may be taken or disregarded at the integrator's discretion. Elite Screens will not be held responsible or be otherwise liable for faulty installations.  
 \*Measurement dimensions are intended as a reference only and subject to change without notice.  
 Note : Data Error may be ±1"



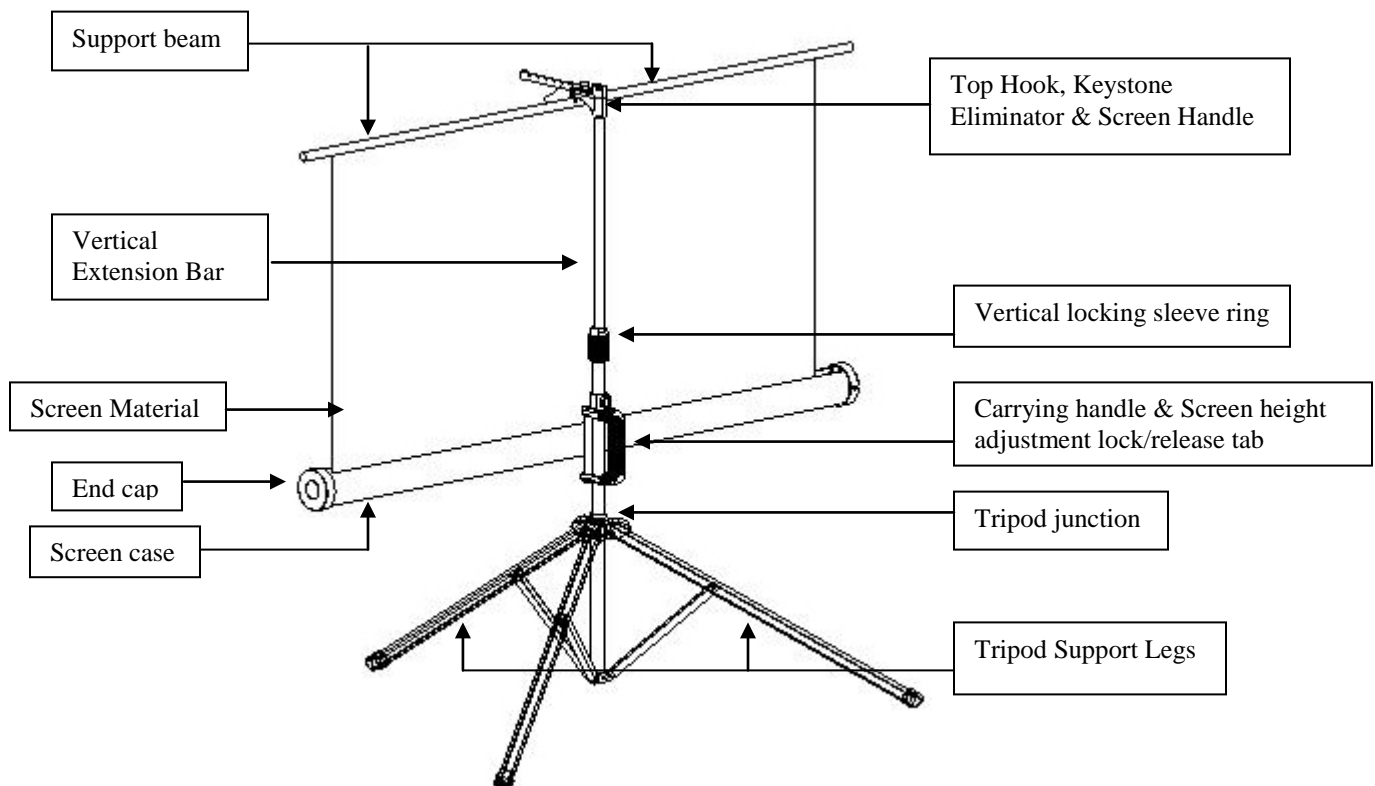


# Tripod Portable Projection Screen

## **Tripod Series / Tripod Pro Series**

### USER'S GUIDE

#### Tripod Screen Parts Identification



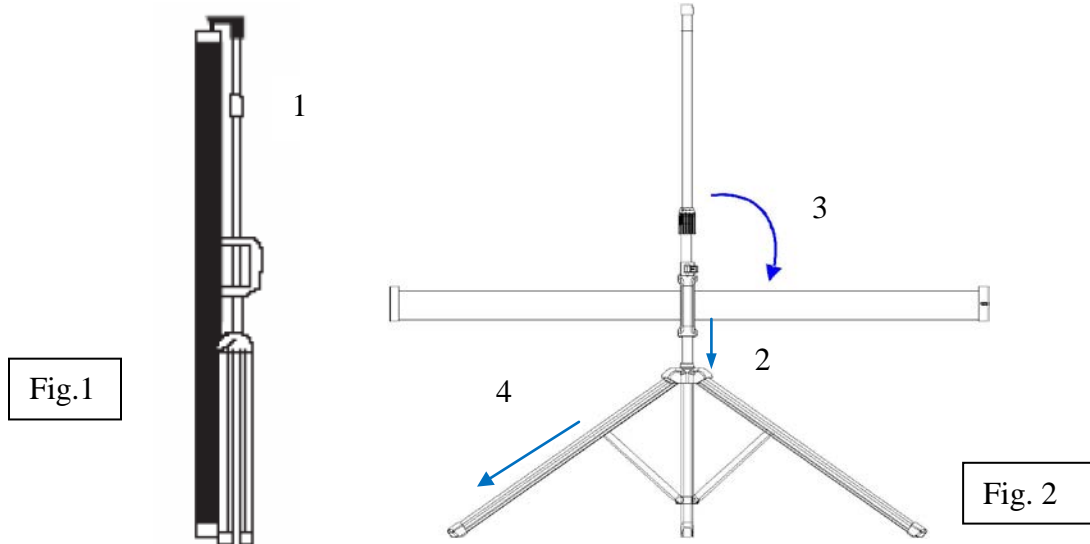
#### Using the Screen

##### **A. Setting up the screen:**

Follow the steps below and Fig. 1 & 2.

1. Place the screen in an upright position (fig.1) with the legs toward the ground.
2. Deploy the Tripod Support legs by pushing down on the Tripod Junction.

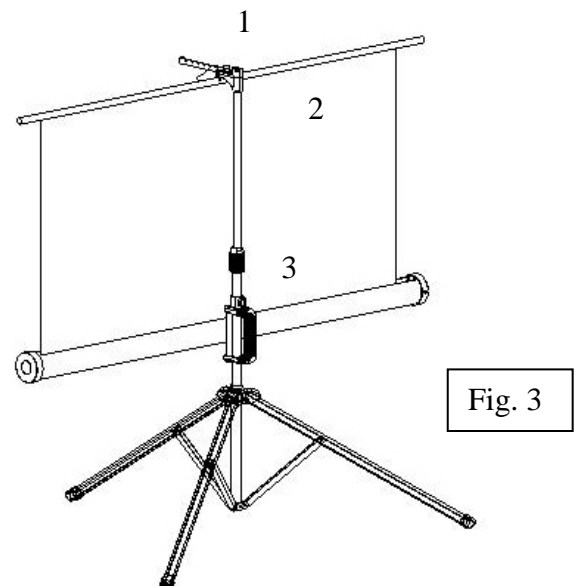
3. Turn the tripod's screen casing in a 90-degree horizontal position so that the screen casing is now parallel to the ground with the screen handle facing the bottom of the top hook.
4. Completely extend the legs as much as possible so they are stable and position them away from objects that may interfere with their balance. **DO NOT** stand the tripod on an unstable platform to avoid an injury should the tripod screen collapse.



### B. Preparing the tripod screen for projection:

Follow the steps below and Fig. 3.

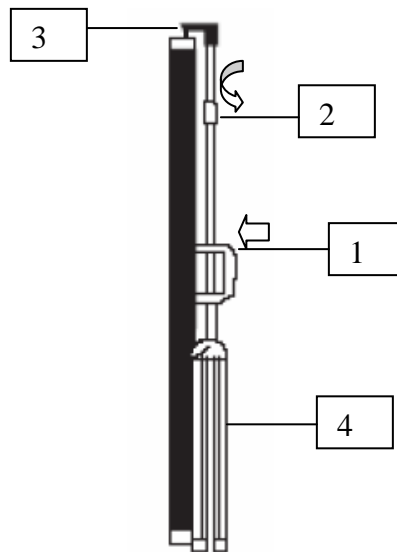
1. Pull the screen handle up vertically and hook the screen handle on the **Top Hook**.  
*\*Note: Use the Keystone Eliminator to prevent "Keystone Effect" from occurring. Keystone Effect is caused when a projector presents its image at a downward angle causing a trapezoid-shaped image to appear on the screen. The Keystone Eliminator is designed to eliminate that effect by sloping the screen forward.*
2. Twist the **Vertical Locking Sleeve Ring counter-clockwise** to unlock the current position of the **Vertical Extension Bar** and raise it as necessary to the desired height.
3. Pull the **Screen Height Adjustment Lock/Release** tab out (to the left) located just above the **Carrying Handle** to raise or lower the bottom of the. Once the desired height has been set, push the tab in to lock the position in place.



### C. Disassembling the screen:

Follow the steps below and Fig. 4.

1. Unlock the **Adjustment Handle** by pulling the locking tab to the **left** and slowly slide the handle all the way down to bring down the position of the screen's case.
2. Hold the **Extension Bar** and twist the **Vertical Locking Sleeve Ring counter-clockwise** to unlock and release the position of the extension bar. Once the extension bar has been brought all the way down, unhook the screen material from the **Top Hook** and slowly retract the screen back into the case.  
*\* Note: It is very important to remember to hold the extension bar first and then unlock the sleeve to prevent the extension bar from slamming and damaging the screen.*
3. Turn the screen's case **vertically clockwise** and insert the **Top Hook's** bottom pin to lock into the screen's end cap hole.
4. Close the tripod legs by pushing them in. Lastly, tighten the **Vertical Locking Sleeve Ring** by twisting it **clockwise**.



**Fig. 4**

#### **Note:**

- To ensure the screen is stable, extend the tripod's legs as much as possible.
- Do not fold the screen or allow any sharp objects to touch the screen's surface.
- Clean the screen surface often when needed.
- Careful use will extend the lifetime of this product.

For more information, technical support or your local Elite Screens contact,  
please visit [www.elitescreens.com](http://www.elitescreens.com)





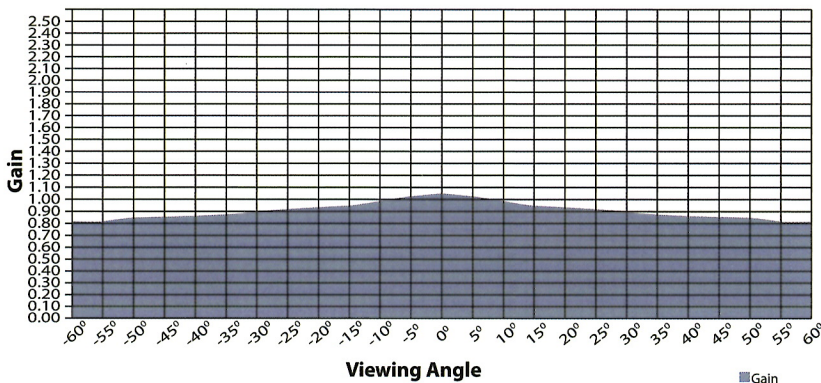
(Shown here on VMAX Dual® Series)

**MaxWhite®** Screen Material is the most versatile screen surface for front projection presentations. This material provides the widest possible viewer angles with perfect diffusion uniformity while giving precise definition, image color reproduction and black & white contrast. Screen Surface has black-backing to avoid light penetration and can be cleaned safely with mild soap and water. Woven screen material is a, multi-layer, cross- array coated with a matte white reflective compound.



On axis 0° Gain: 1.1  
Viewing Cone: 180°

**Elite Screens Series:**  
Manual, Tripod, Spectrum, ezCinema,  
ezCinema Plus, PicoScreen™, VMAX & VMAX Dual®



- Multi-Layer Weave and Textured Surface Coating
- Gain: 1.1
- View Angle: 180° (90° ±LR)
- Mildew Resistant
- Black Backing
- Not compatible with Ultra/Short-throw Projectors
- Screen Surface can be easily cleaned
- Active 3D, 4K Ultra HD, and HDR ready
- GREENGUARD® and GREENGUARD® Gold Certified | UL 2818

