

Brief Operating Instructions

Accessory optics for the Rxn-10 probe

KIO1, KNCO1, KL BIO1, KRSU1, KRBMO, KRBSL



Table of Contents

- 1 About this document..... 5**
 - 1.1 Disclaimer 5
 - 1.2 Warnings 5
 - 1.3 U.S. export compliance..... 5
- 2 Basic safety instructions 6**
 - 2.1 Requirements for the personnel 6
 - 2.2 Designated use 6
 - 2.3 Workplace safety..... 7
 - 2.4 Operational safety 7
 - 2.5 Service safety 8
 - 2.6 Important safeguards..... 8
 - 2.7 Product safety..... 8
- 3 Product description 9**
 - 3.1 Immersion optic (KIO1) 9
 - 3.2 Non-contact optic (KNCO1) 10
 - 3.3 bIO-Optic (KL BIO1) 10
 - 3.4 Bio multi optic (KRBMO) and bio sleeve (KRBSL) 11
 - 3.5 Raman optic system for single use (KRSU1) 13
- 4 Incoming product acceptance and product identification 14**
 - 4.1 Incoming acceptance 14
 - 4.2 Product identification 14
 - 4.3 Scope of delivery..... 14
- 5 Installation 15**
 - 5.1 Installing immersion optics and bIO-Optics..... 15
 - 5.2 Installing the bio multi optic and bio sleeve system..... 16
 - 5.3 Installing non-contact optics..... 22
 - 5.4 Installing the Raman optic system for single use 23
- 6 Commissioning..... 27**
 - 6.1 Receipt of optics 27
 - 6.2 Calibration and verification..... 27
- 7 Operation..... 29**
 - 7.1 bIO-Optic, bio multi optic and bio sleeve system, and Raman optic system for single use 29
 - 7.2 Storing the bio multi optic and the reusable portion of the Raman optic system for single use 29
- 8 Diagnostics and troubleshooting..... 31**

1 About this document

1.1 Disclaimer

These instructions are Brief Operating Instructions; they do not replace the Operating Instructions included in the scope of supply.

1.2 Warnings

Structure of Information	Meaning
<p>⚠ WARNING</p> <p>Causes (/consequences) Consequences of non-compliance (if applicable) ▶ Corrective action</p>	<p>This symbol alerts you to a dangerous situation. Failure to avoid the dangerous situation can result in a fatal or serious injury.</p>
<p>⚠ CAUTION</p> <p>Causes (/consequences) Consequences of non-compliance (if applicable) ▶ Corrective action</p>	<p>This symbol alerts you to a dangerous situation. Failure to avoid this situation can result in minor or more serious injuries.</p>
<p>NOTICE</p> <p>Cause/situation Consequences of non-compliance (if applicable) ▶ Action/note</p>	<p>This symbol alerts you to situations which may result in damage to property.</p>

Table 1. Warnings

1.3 U.S. export compliance

The policy of Endress+Hauser is in strict compliance with U.S. export control laws as detailed in the website of the [Bureau of Industry and Security](#) at the U.S. Department of Commerce.

2 Basic safety instructions

The safety information in this section is specific to the optics that are compatible with the Rxn-10 Raman spectroscopic probe. Refer to the *Rxn-10 Raman spectroscopic probe Operating Instructions* for additional information related to probe and laser safety.

2.1 Requirements for the personnel

- Installation, commissioning, operation, and maintenance of the probe/optics may be carried out only by specially trained technical personnel.
- Technical personnel must be authorized by the plant operator to carry out the specified activities.
- Technical personnel must have read and understood these Operating Instructions and must follow the instructions contained herein.
- The facility must designate a laser safety officer who ensures staff are trained on all Class 3B laser operating and safety procedures.
- Faults at the measuring point may only be rectified by authorized trained personnel. Repairs not described in this document must be carried out only at the manufacturer's site or by the service organization.

2.2 Designated use

The Rxn-10 Raman spectroscopic probe is designed for product and process development as well as manufacturing (when used with the Raman optic system for single use). The probe is compatible with a wide range of interchangeable, commercially available optics (immersion and non-contact) to meet the requirements of different applications.

Recommended applications for the optics include:

Optic	Fields of application
Immersion optic (IO)	<ul style="list-style-type: none"> ▪ Development laboratory ▪ Pharmaceutical: drug substance unit operations, reaction analysis, crystallization, end-point detection, solvent swaps ▪ Chemical: material identification, reaction analysis, polymerization, cross-linking, blending ▪ Food and beverage: blending, purification, natural and synthetic components
Non-contact optic (NCO)	<ul style="list-style-type: none"> ▪ Polymer solids (pellets, films, or powders) ▪ Pharmaceutical drug product manufacturing ▪ Raw material identification ▪ Meat or fish quality ▪ Formulation optimization

Optic	Fields of application
bIO-Optic	<ul style="list-style-type: none"> ▪ Benchtop bioreactors to measure glucose, lactate, amino acids, cell density, titer, and more ▪ Benchtop fermenters to measure glycerol, methanol, ethanol, sorbitol, biomass, and more ▪ Use with Flow assembly CYA680 for select downstream bioprocessing applications
Bio multi optic and bio sleeve	<ul style="list-style-type: none"> ▪ Benchtop bioreactors to measure glucose, lactate, amino acids, cell density, titer, and more ▪ Benchtop fermenters to measure glycerol, methanol, ethanol, sorbitol, biomass, and more ▪ Use with Flow assembly CYA680 for select downstream bioprocessing applications
Raman optic system for single use	<ul style="list-style-type: none"> ▪ Single-use bioreactors to measure glucose, lactate, amino acids, cell density, titer, and more ▪ Single-use fermenters to measure glycerol, methanol, ethanol, sorbitol, biomass, and more

Table 2. Fields of application

The above table lists common applications for the Rxn-10 probe and optics. There are other possible fields of application; however, use of the device for any purpose well outside of the fields of application described here poses a threat to the safety of people and of the entire measuring system and invalidates any warranty.

2.3 Workplace safety

As the user, you are responsible for complying with the following safety conditions:

- Installation guidelines
- Local standards and regulations for electromagnetic compatibility

2.4 Operational safety

Before commissioning the entire measuring point:

- Verify that all connections are correct.
- Ensure that electro-optical cables are undamaged.
- Ensure fluid level is sufficient for probe/optics immersion (if applicable).
- Do not operate damaged products, and protect them against unintentional operation.
- Label damaged products as defective.

During operation:

- If faults cannot be rectified, products must be taken out of service and protected against unintentional operation.
- When working with laser devices, always follow all local laser safety protocols which may include the use of personal protective equipment and limiting device access to authorized users.

Service ratings may include limitations for fittings, flanges, or seals. Installer must understand these limitations and use appropriate hardware and assembly procedures for a pressure-tight and safe joint.

2.5 Service safety

Follow your company's safety instructions when removing a process probe/optic from the process interface for service. Always wear proper protective equipment when servicing the equipment.

2.6 Important safeguards

- Do not use the optics for anything other than their intended use.
- Do not look directly into the laser beam.
- Do not point the laser at a mirrored/shiny surface or a surface that may cause diffuse reflections. The reflected beam is as harmful as the direct beam.
- When not in use, close the shutter on the Rxn-10 probe. If an optic cap is available, place it on the unused optic.
- Always use a laser beam block to avoid inadvertent scatter of laser radiation.

2.7 Product safety

The product is designed to meet all current safety requirements, has been tested, and shipped from the factory in a safe operating condition. The relevant regulations and international standards have been observed. Devices connected to an analyzer must comply with the applicable analyzer safety standards.

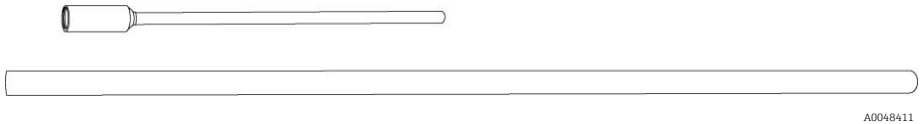
3 Product description

The variety of optics available for the Rxn-10 Raman spectroscopic probe, powered by Kaiser Raman technology, enables flexible sampling options in the laboratory, process development, or single use manufacturing environment. Endress+Hauser offers immersion, bioprocess, and non-contact optics for the analysis of liquids, slurries and solids. Optics are available in multiple lengths and sizes to meet the requirements of different applications. Refer to the sections below for descriptions of the optics types and their use.

- 3.1: Immersion optic
- 3.2: Non-contact optic
- 3.3: bIO-Optic
- 3.4: Bio multi optic and bio sleeve
- 3.5: Raman optic system for single use

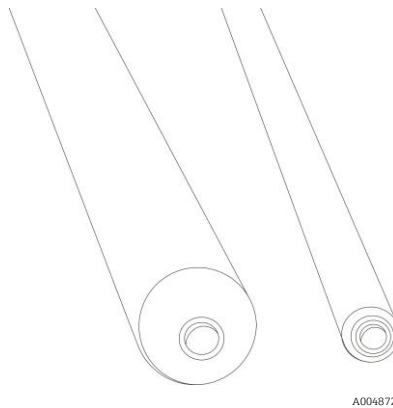
3.1 Immersion optic (KIO1)

The Endress+Hauser immersion optic is suited for use with the Rxn-10 probe in reaction vessels, laboratory reactors, or process streams. It has a fixed focus design and no movable parts, providing long-term measurement stability and superior signal performance. The sealed design is the standard for use with embedded Raman Rxn analyzers.



A0048411

Figure 1. Immersion optics with varying shaft length and diameter



A0048727

Figure 2. Tips of immersion optics with varying diameters

3.2 Non-contact optic (KNCO1)

Paired with the Rxn-10 probe, the Endress+Hauser non-contact optic provides contact-free Raman measurements of samples either directly or through sight glass or translucent packaging. These optics are ideal for use with solids or turbid media or when sample contamination or damage to optical components is a concern.

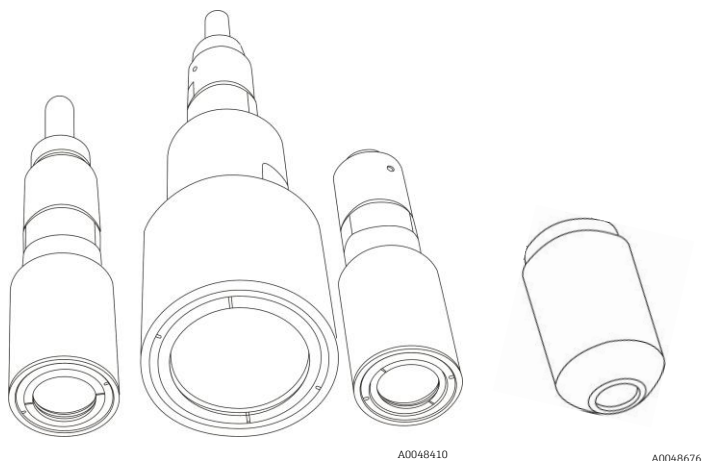
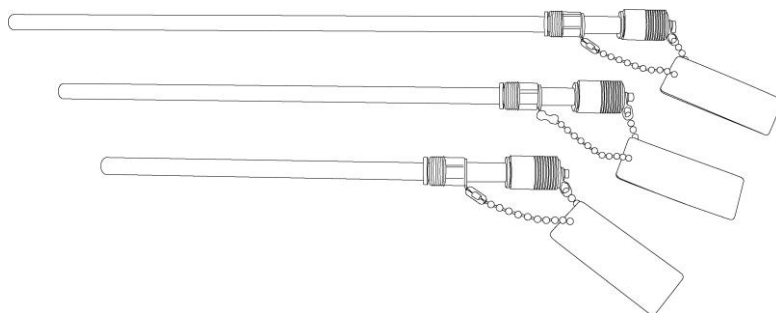


Figure 3. Non-contact optics in varying sizes

3.3 bIO-Optic (KLBI01)

The Endress+Hauser bIO-Optic is a versatile immersion optic used in conjunction with the Rxn-10 probe. It measures multiple, specific bioprocessing components in real-time and is compatible with standard PG13.5 bioreactor ports. The fixed focus design of the bIO-Optic provides long-term measurement stability along with superior signal performance, essential for transferable, high performance Raman-based bioprocess analysis. Available in various industry standard lengths, the bIO-Optic is ideally suited for benchtop bioreactor/fermentor applications requiring headplate entry. The 120 mm version is compatible with Endress+Hauser flow assembly [CYA680](#).



A0048412

Figure 4. *bio-Optics in varying lengths*

NOTICE

The **BIO-Optic** should **NOT** be used with hydrocarbon solvents (including ketones and aromatics).

- ▶ These solvents can degrade probe performance and invalidate the warranty.

3.4 Bio multi optic (KRBMO) and bio sleeve (KRBSL)

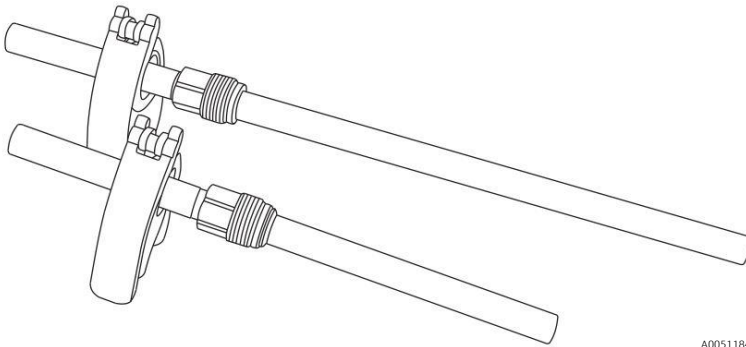
The Endress+Hauser bio multi optic and bio sleeve make up a versatile two part immersion optic system used in conjunction with the Rxn-10 probe. This system measures multiple, specific bioprocessing components in real-time and is compatible with standard PG13.5 bioreactor ports.

The system is comprised of the following parts:

- A reusable bioprocessing multi optic, which has no product contact, and
- The bioprocessing sleeve that interfaces with the bio multi optic and has product contact. The bio sleeve has a lifespan of 10 autoclave cycles when used in conjunction with the bio sleeve desiccator.

The modular design of this sample system allows for calibration of the optic without removing the bio sleeve from the bioreactor/wetted area. Another benefit realized from the modular design is reduced probe service and maintenance because of the simplification of the wetted/sterilized portion. The fixed focus design provides long-term measurement stability and superior signal performance, essential for transferable, high performance Raman-based bioprocess analysis.

The bio multi optic and bio sleeve are available in 120 mm and 220 mm (4.73 in. and 8.67 in.) industry standard lengths. The 120 mm version is compatible with Endress+Hauser flow assembly [CYA680](#). The sample system is ideally suited for benchtop bioreactor/fermentor applications requiring headplate entry.



A0051184

Figure 5. Bio multi optic and bio sleeve system in varying lengths

NOTICE

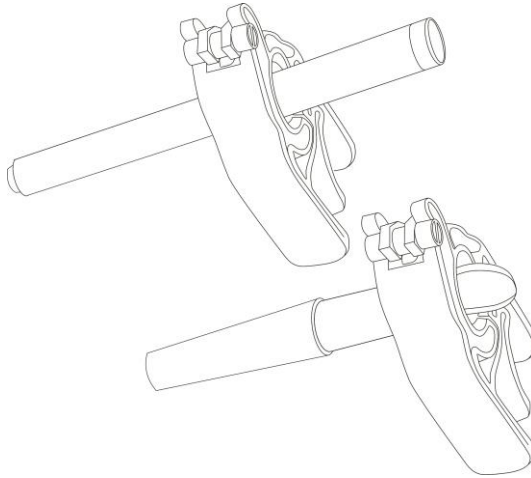
This system should NOT be used with hydrocarbon solvents (including ketones and aromatics).

- ▶ These solvents can degrade probe performance and invalidate the warranty.

3.5 Raman optic system for single use (KRSU1)

The Endress+Hauser Raman optic system for single use was developed according to industry standards for single use sensors and is designed for single use bioprocess applications. The system is used in conjunction with the Rxn-10 probe and is comprised of the following parts:

- The reusable optic, which has no product contact, and
- A disposable fitting, which is installed, tested, and supplied ready to use from the single use vessel vendor.



A0048734

Figure 6. Reusable optic (top) and disposable fitting (bottom)

NOTICE

The Raman optic system for single use should NOT be used with hydrocarbon solvents (including ketones and aromatics).

- ▶ These solvents can degrade probe performance and invalidate the warranty.

4 Incoming product acceptance and product identification

4.1 Incoming acceptance

- Verify that the packaging is undamaged. Notify the supplier of any damage to the packaging. Keep the damaged packaging until the issue has been resolved.
- Verify that the contents are undamaged. Notify the supplier of any damage to the delivery contents. Keep the damaged goods until the issue has been resolved.
- Check that the delivery is complete and nothing is missing. Compare the shipping documents with your order.
- Pack the product for storage and transportation in such a way that it is protected against impact and moisture. The original packaging offers the best protection. Make sure to comply with the permitted ambient conditions found in the *Accessory optics for the Rxn-10 probe Operating Instructions* manual.

If you have any questions, please contact your supplier or your local sales center.

NOTICE

Incorrect transportation can damage the optics.

4.2 Product identification

4.2.1 Label

At a minimum, the optics are labeled with the following information:

- Manufacturer information
- Serial number

Compare the information on the label/tag with the order.

4.2.2 Manufacturer address

Endress+Hauser
371 Parkland Plaza
Ann Arbor, MI 48103 USA

4.3 Scope of delivery

The scope of delivery comprises:

- Selected optic(s)
- *Accessory optics for the Rxn-10 probe Operating Instructions* manual

If you have any questions, please contact your supplier or local sales center.

5 Installation

The installation information in this section is specific to the optics that are compatible with the Rxn-10 Raman spectroscopic probe. Refer to the *Rxn-10 Raman spectroscopic probe Operating Instructions* for additional information related to probe installation.

The Rxn-10 probe is compatible with both immersion optics and non-contact optics. The probe has a torque limiting clamp that secures the immersion optics. The clamp also holds the adapter for non-contact optics.

Before installation, ensure any protective covers are removed from the optics.

When replacing an optic in a probe, use the multi optic calibration accessory or the Raman Calibration Accessory (HCA) to perform an intensity calibration for that probe with the new optic. Refer to the *Accessory optics for the Rxn-10 probe Operating Instructions* to determine the appropriate calibration method for each optic.

5.1 Installing immersion optics and bIO-Optics

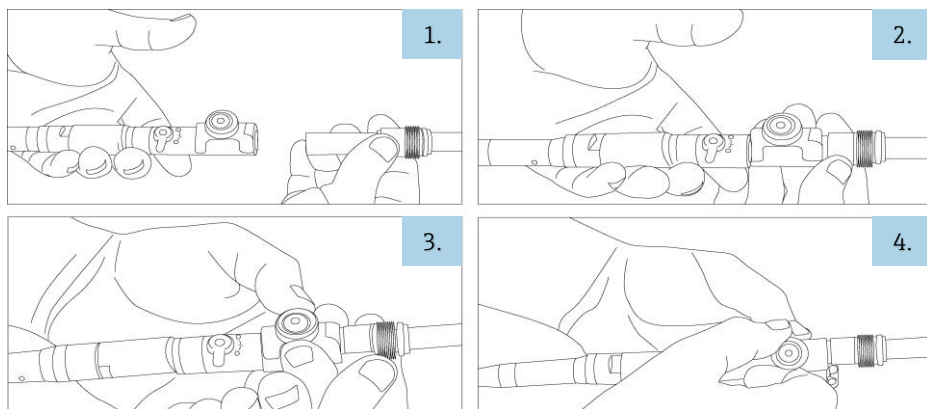
Endress+Hauser immersion optics and bIO-Optics slip into the Rxn-10 probe and are secured by a torque limiting, thumb screw-based clamp. The thumb screw on the Rxn-10 probe should never be fully removed.

WARNING

When installing or removing immersion optics, ensure the laser and emission shutter are in the closed position.

To install an immersion optic:

1. If necessary, loosen the metal thumb screw on the Rxn-10 probe by turning the screw counter-clockwise approximately one turn (do not remove). Then find the probe end of the optic, which is the end that includes the product markings.
2. Insert the probe end of the optic through the end optic clamp.
3. Push the optic back until it stops.
4. Tighten the thumb screw by gently turning it clockwise until there is an audible “click” sound. This indicates the thumb screw has reached the desired torque. Failure to tighten the screw will result in the optic coming loose, potentially damaging the optic.
5. After installing an optic into a probe, use the Raman Calibration Accessory to perform an intensity calibration for the probe with the new optic.



A0048416

Figure 7. Installing an immersion optic (IO) into the Rxn-10 probe

To remove an immersion optic:

Loosen the torque limiting thumb screw by turning it counter-clockwise approximately one turn so that the immersion optic is released from its clamp. Do not remove the screw. Then slide the immersion optic out.

5.2 Installing the bio multi optic and bio sleeve system

Installation of the bio multi optic and bio sleeve system into a bioreactor for data acquisition is comprised of the following steps:

- Installing the bio multi optic into the Rxn-10 probe
- Installing the bio sleeve into the bioreactor
- Sterilizing the bio sleeve/bioreactor combination (typically)
- Installing the Rxn-10 probe with bio multi optic into the bio sleeve/bioreactor

5.2.1 Installing the bio multi optic into the Rxn-10 probe

The Endress+Hauser bio multi optic slips into the Rxn-10 probe and is secured by a torque limiting, thumb screw-based clamp. The thumb screw on the Rxn-10 probe should never be fully removed.

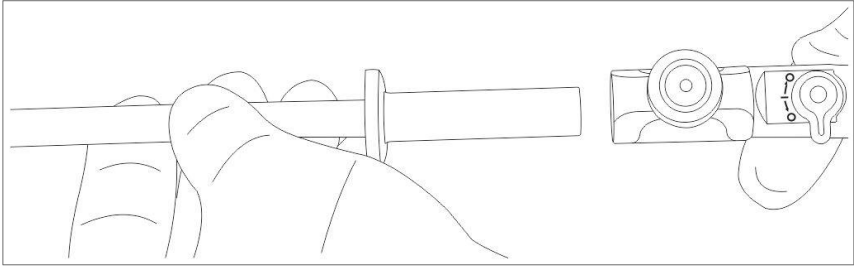
⚠ WARNING

When installing or removing optics, ensure the laser and emission shutter are in the closed position.

To install the optic into the probe:

1. If necessary, loosen the metal thumb screw on the Rxn-10 probe by turning the screw counter-clockwise approximately one turn (do not remove).

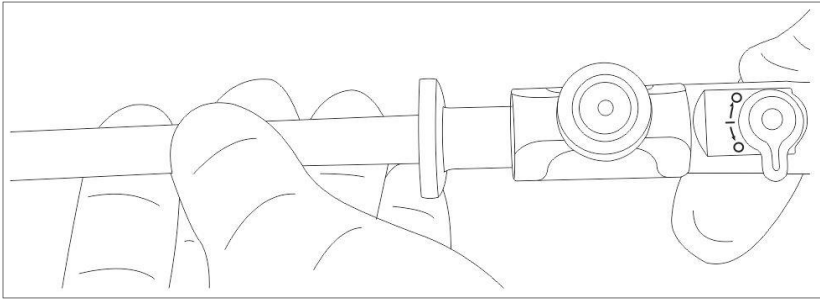
2. Insert the optic through the end optic clamp.



A0051185

Figure 8. Inserting the bio multi optic into the Rxn-10 probe

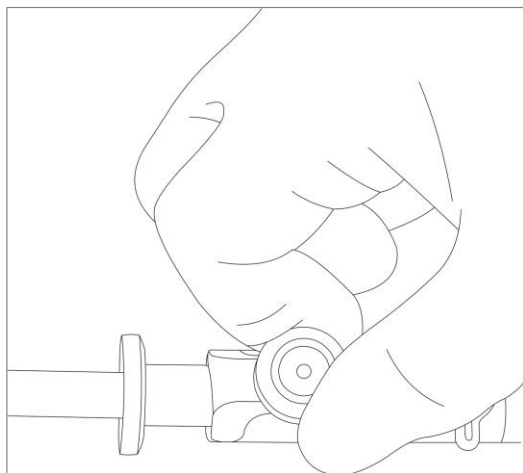
3. Push the optic back until it stops.



A0051186

Figure 9. Final position of bio multi optic in the Rxn-10 probe

4. Tighten the thumb screw by gently turning it clockwise until there is an audible “click” sound. This indicates the thumb screw has reached the desired torque. Failure to tighten the screw will result in the optic coming loose, potentially damaging the optic.



A0051187

Figure 10. Tightening the thumb screw on the Rxn-10 probe

5. After installing an optic into a probe, use the multi optic calibration accessory to perform an intensity calibration for the probe with the new optic. Alternately, the Raman Calibration Accessory (HCA) may be used, but a bio sleeve is required.

To remove the bio multi optic from the Rxn-10 probe:

Loosen the torque limiting thumb screw by turning it counter-clockwise approximately one turn so that the optic is released from its clamp. Do not remove the screw. Then slide the optic out.

5.2.2 Installing the bio sleeve into the bioreactor

The bio sleeve is designed to interface with a PG13.5 threaded port on the bioreactor. To install the bio sleeve into the bioreactor:

1. Align the bio sleeve with the available PG13.5 port.
2. Insert the bio sleeve into the PG13.5 port on the bioreactor.
3. Tighten the PG13.5 nut into the PG13.5 port of bioreactor according to the bioreactor manufacturer's guidelines.

NOTICE

It is critical that there is no interference between the bio sleeve and the internal stirring device.

- ▶ Interference can damage the optic system and may cause cavitation.

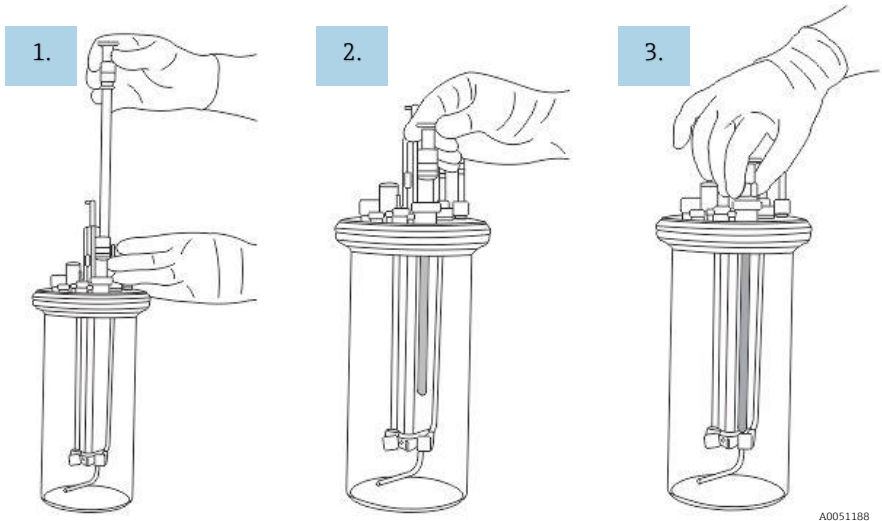


Figure 11. Installing the bio sleeve into the PG13.5 port of the bioreactor

NOTICE


The bioreactor/bio sleeve will typically need to be sterilized prior to use.

► The desiccator must be installed into the bio sleeve prior to autoclave sterilization. Refer to the *Accessory optics for the Rxn-10 probe Operating Instructions* for autoclaving instructions.

5.2.3 Installing the Rxn-10 probe with bio multi optic into the bio sleeve

NOTICE

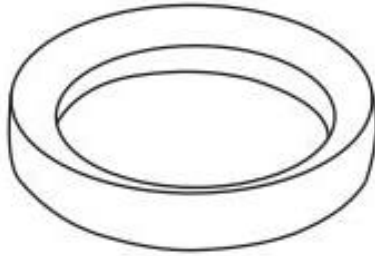
Prior to insertion in the bio sleeve, the Rxn-10 probe with the reusable optic should be calibrated and verified.

► See Section 6.2 →  for calibration and verification instructions.

After the Rxn-10 with bio multi optic is calibrated and the bioreactor with installed bio sleeve is sterilized, the systems need to be joined to take data. Follow the steps below.

1. Obtain the sanitary flange seal.

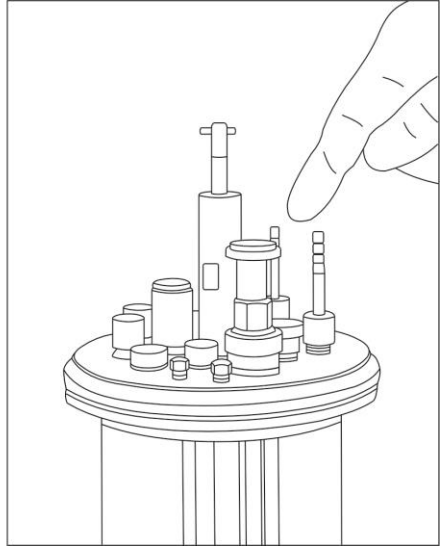
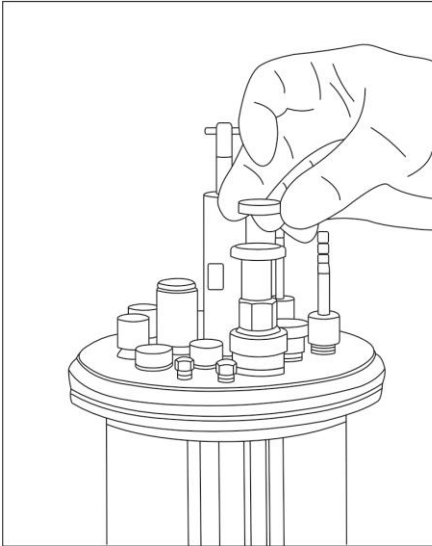
If the sanitary flange seal is already present on the bio sleeve, go to step 3.



A0051189

Figure 12. Sanitary flange seal

2. Place the sanitary flange seal onto the seal gland.

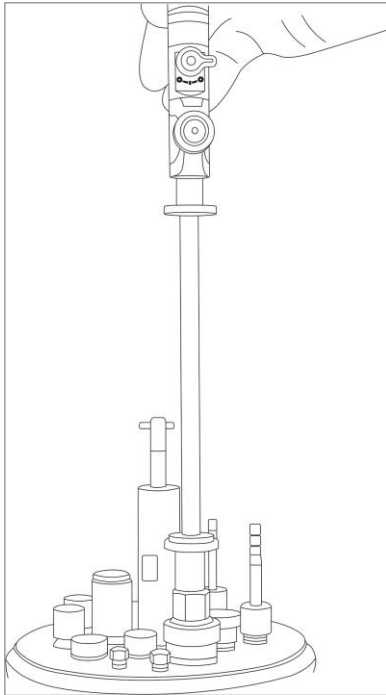


A0051190

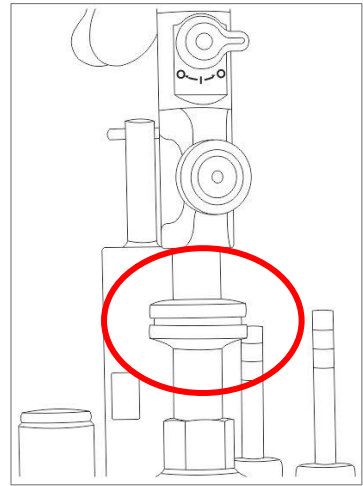
Figure 13. Installing the sanitary flange seal

3. Confirm that the bio multi optic for use is the correct immersion length.

- 4. Insert the bio multi optic into the bio sleeve until the optic rests on the sanitary flange seal.



A0051191

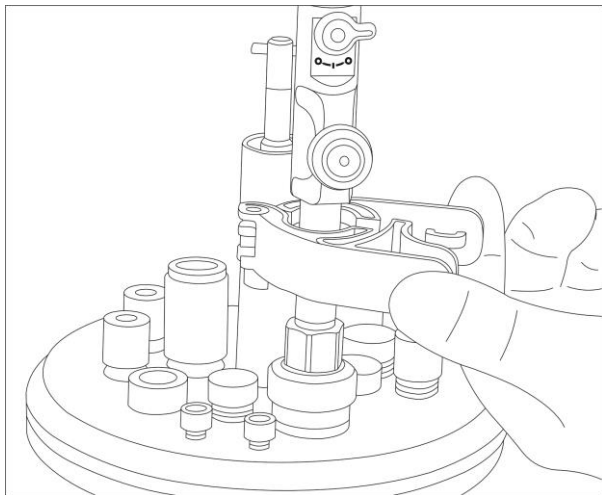


A0051192

Figure 14. Installing the bio multi optic into the bio sleeve (left) until the optic rests on the seal (right)

- 5. Confirm that the sanitary seal is properly seated between the optic and the sleeve.

6. Install the sanitary clamp, making sure it is clamped tightly. There should be two distinct clicks indicating it is clamped correctly.



A0051193

Figure 15. Installing the sanitary clamp

The Rxn-10 probe with bio multi optic is now ready to acquire data with the bio sleeve in the bioreactor.

5.3 Installing non-contact optics

The non-contact optics offered with the Rxn-10 probe are threaded, so a threaded adapter is required to attach the optic to the Rxn-10 probe.

⚠ WARNING

When installing or removing non-contact optics, ensure the laser and emission shutter are in the closed position.

To install a non-contact optic:

1. If necessary, loosen the metal thumb screw on the Rxn-10 probe by turning the screw counter-clockwise approximately one turn (do not remove). Then find the narrow, non-threaded end of the adapter.
2. Insert the narrow end of the adapter through the clamp. Push the adapter back until it stops.
3. Tighten the thumb screw by gently turning it clockwise until there is an audible “click” sound. This indicates the thumb screw has reached the desired torque. Failure to tighten the screw will result in the adapter coming loose.
4. Find the externally threaded end of the non-contact optic.
5. Screw a non-contact optic into the threaded end of the adapter.
6. After installing an optic into a probe, use the Raman Calibration Accessory to perform an intensity calibration for the probe with the new optic.

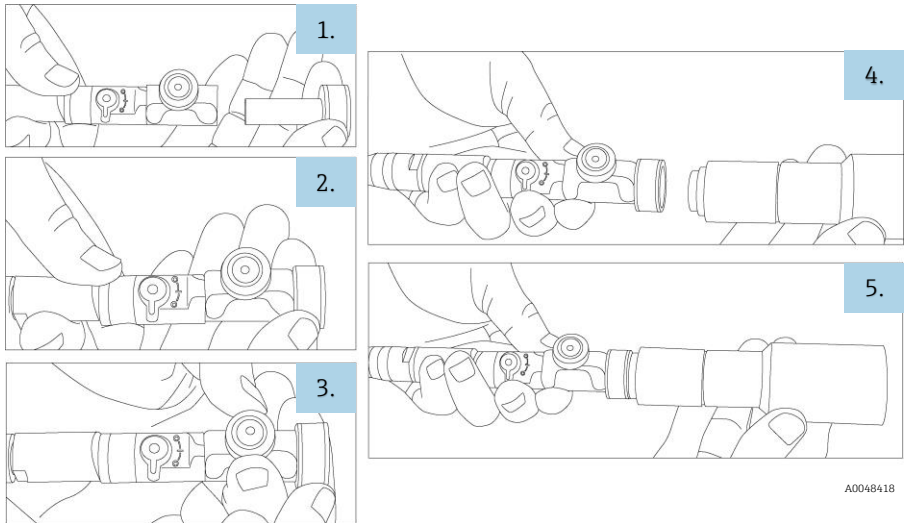


Figure 16. Installing an adapter and non-contact optic into the Rxn-10 probe

To remove a non-contact optic:

Unscrew the non-contact optic from the adapter. If an immersion optic will be used, remove the adapter by turning the torque limiting thumb screw counter-clockwise approximately one turn until the adapter is released from the clamp. Then slide the adapter out.

5.4 Installing the Raman optic system for single use

NOTICE

Prior to insertion in the disposable fitting, the Rxn-10 probe with the reusable optic should be calibrated and verified.

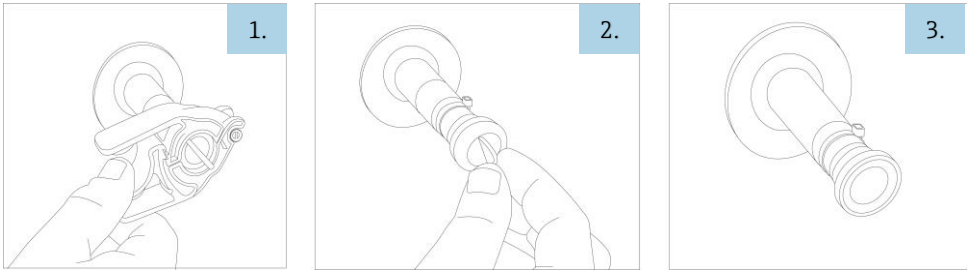
- ▶ See Section 6.2 →  for calibration and verification instructions.

5.4.1 Preparing the disposable fitting

The port shown below is specific to one type of single use bioreactor. The port, fitting, and cap/clamp (if present) may vary depending on the type of single use bioreactor. However, the optic insertion instructions are the same for all types of single use bioreactors.

To prepare the disposable fitting for optic insertion:

1. Depress the release lever on the sanitary clamp and remove the clamp.
2. Remove the sanitary cap from the fitting.
3. Ensure the sanitary o-ring seal is in place on the fitting.



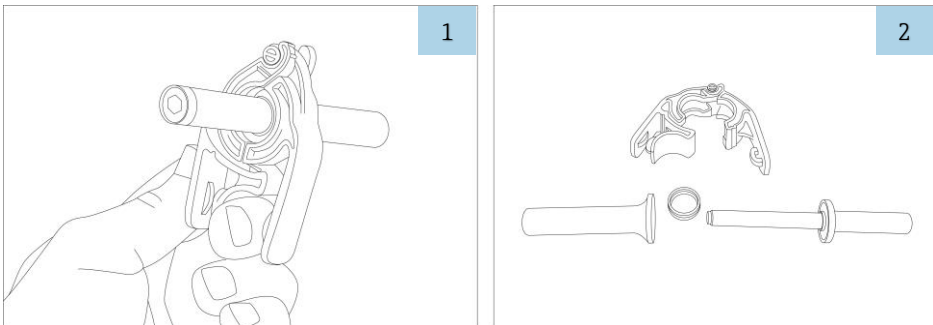
A0048735

Figure 17. Preparing the disposable fitting

5.4.2 Preparing the reusable optic for insertion into the fitting

To prepare the optic for insertion into the fitting:

1. Depress the release lever on the sanitary clamp and remove the clamp.
2. Remove the cap and seal. Store these components in a secure location.



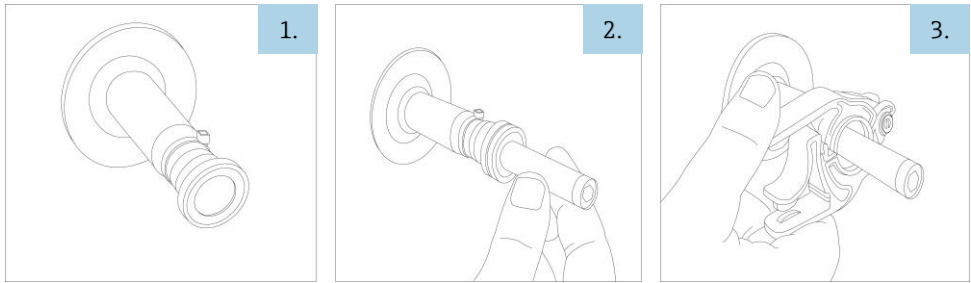
A0048736

Figure 18. Preparing the reusable optic

5.4.3 Inserting the optic in the fitting

To insert the optic in the disposable fitting:

1. Verify the sanitary o-ring seal on the fitting is still in place.
If not present, place a sanitary o-ring seal over the optic such that it is located in the sealing gland area.
2. Insert the optic into the disposable fitting.
3. Install the sanitary clamp, making sure it is clamped tightly.
There should be two distinct clicks indicating it is clamped correctly.



A0048737

Figure 19. Inserting the optic in the fitting

5.4.4 Installing the optic into the Rxn-10 probe

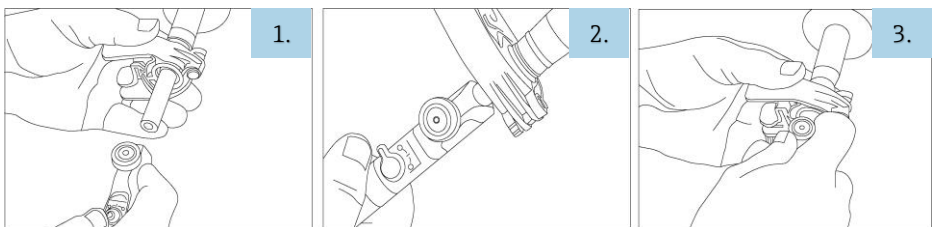
The Endress+Hauser reusable optic slips into the Rxn-10 probe and is secured by a torque limiting, thumb screw-based clamp. The thumb screw on the Rxn-10 probe should never be fully removed.

⚠ WARNING

When installing or removing optics, ensure the laser and emission shutter are in the closed position.

To install the optic into the probe:

1. If necessary, loosen the metal thumb screw on the Rxn-10 probe by turning the screw counter-clockwise approximately one turn (do not remove). Then insert the optic through the end optic clamp.
2. Push the optic back until it stops.
3. Tighten the thumb screw by gently turning it clockwise until there is an audible “click” sound. This indicates the thumb screw has reached the desired torque. Failure to tighten the screw will result in the optic coming loose, potentially damaging the optic.



A0048417

Figure 20. Installing the reusable optic into the Rxn-10 probe

4. After installing an optic into a probe, and before it is connected to the fitting, use the multi optic calibration accessory to perform an intensity calibration for the probe with the new optic and single use calibration adapter. Alternately, the Raman Calibration Accessory (HCA) and single use calibration adapter may be used.


To remove the optic:

Loosen the torque limiting thumb screw by turning it counter-clockwise approximately one turn so that the optic is released from its clamp. Do not remove the screw. Then slide the optic out.

6 Commissioning

The optics for the Rxn-10 probe are delivered ready to connect to the probe. No additional alignment or adjustment to the probe head is required. Follow the instructions below to commission the optics for use in conjunction with the probe.

6.1 Receipt of optics

Perform the steps for incoming product acceptance described in Section 4.1 → .

6.2 Calibration and verification

The probe and the analyzer must be calibrated before use.

6.2.1 Multi optic calibration accessory

After installing the bio multi optic or the Raman optic system for single use into the Rxn-10 probe, use the multi optic calibration accessory to perform an intensity calibration for the probe head with the new optic.


Refer to the *Multi optic calibration kit Operating Instructions* for additional information about the multi optic calibration accessory.

If the multi optic calibration accessory is not available, a Raman Calibration Accessory (HCA) may be used for calibration as follows:

- Bio multi optic: with bio sleeve and 12 mm HCA adapter
- Raman optic system for single use: with the single use calibration adapter and 12 mm HCA adapter

6.2.2 Raman Calibration Accessory

After installing an immersion optic, non-contact optic, or bIO-Optic into the probe head, use the Raman Calibration Accessory (HCA) to perform an intensity calibration for the probe head with the new optic.

If the HCA is used with the Raman optic system for single use, an additional single use calibration adapter is installed onto the optic following the same process as connecting the optic to the fitting (see Section 5.3 → ). The optic/calibration adapter combination is then inserted into an HCA adapter attached to the HCA head.

Refer to the *Raman Calibration Accessory Operating Instructions* for additional information about the HCA and adapters.

6.2.3 Performing calibration and verification

Refer to the applicable Raman Rxn analyzer operating instructions for steps to:

- Perform internal analyzer calibration; may include alignment calibration, full wavelength calibration and/or full laser wavelength calibration depending on status of analyzer
- Perform probe calibration; requires multi optic calibration accessory or HCA with an appropriate optic adapter
- Perform probe verification; verifies the calibration results using a standard reference sample; a bIO Sample Chamber or multi optic verification accessory may be used
- View calibration and verification reports

NOTICE

The multi optic verification accessory should be used for verification of the bio multi optic or Raman optic system for single use. Do NOT immerse the bio multi optic or optic for single use directly into a sample.

- ▶ If the multi optic verification accessory is not available, verification of the bio multi optic or Raman optic system for single use may be performed using a bIO Sample Chamber and an additional bio sleeve (for bio multi optic) or a single use calibration adapter (for single use optic).

The Raman RunTime software will not allow spectra to be collected without passing internal and probe calibrations. Passing the probe verification step is not required but highly recommended.

Raman Rxn analyzer operating instructions are available by searching the Downloads area of the Endress+Hauser web site: <https://endress.com/downloads>

7 Operation

This manual provides information about the optics used with the Endress+Hauser Rxn-10 Raman spectroscopic probe. The Rxn-10 probe is a versatile probe designed for product and process development and is compatible with Endress+Hauser Raman Rxn analyzers operating at 532 nm, 785 nm, or 993 nm. The Rxn-10 probe accepts a variety of interchangeable optics including:

- Immersion optic
- Non-contact optic
- bIO-Optic
- Bio multi optic and bio sleeve
- Raman optic system for single use

The optics are installed into the probe following the instructions in Section 5 → .

Refer to the *Rxn-10 Raman spectroscopic probe Operating Instructions* for operation of the probe with the optics. Standard precautions for laser products should be observed.

Additional use and storage instructions for some optics are provided below.

7.1 bIO-Optic, bio multi optic and bio sleeve system, and Raman optic system for single use

The bIO-Optic, the bio multi optic and bio sleeve system, and the Raman optic system for single use should NOT be used with hydrocarbon solvents (including ketones and aromatics). Doing so can degrade probe performance and invalidate the warranty.

The Raman optic system for single use is NOT intended to be submerged into any liquid without being attached to the disposable fitting. The bio multi optic is NOT intended to be submerged into any liquid without being attached to a bio sleeve.

7.2 Storing the bio multi optic and the reusable portion of the Raman optic system for single use

When storing the bio multi optic or the reusable portion of the Raman optic system for single use, it is important to always keep the optic protected with the cover provided during shipping. Verify the o-ring seal is installed to ensure a clean and dry environment.

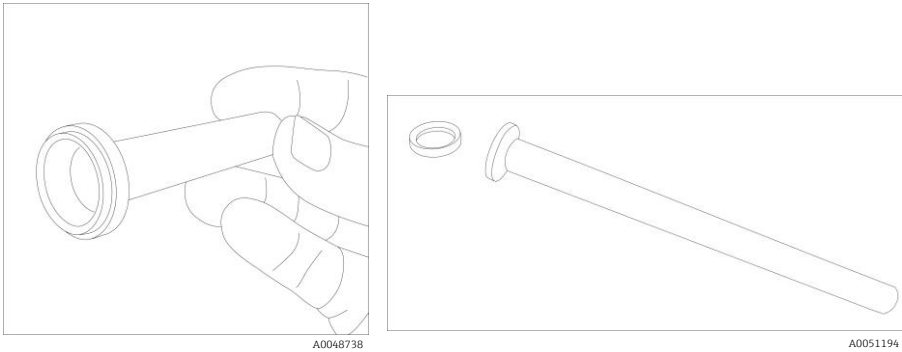


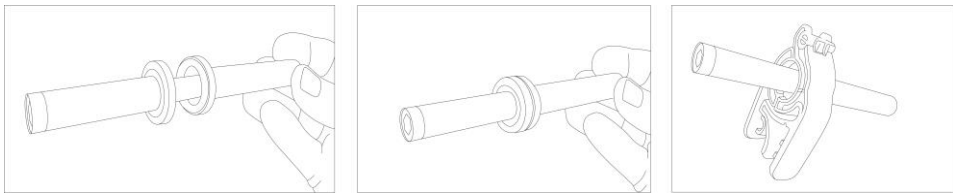
Figure 21. The cover for the reusable optic with o-ring present (left) and o-ring and cover for the bio multi optic (right)

⚠ WARNING

When installing or removing optics, ensure the laser and emission shutter are in the closed position.

To remove the optic and install the optic cover for storage:

1. Loosen the metal thumb screw on the Rxn-10 probe by turning the screw counter-clockwise approximately one turn (do not remove).
1. Slide the Rxn-10 probe head off the bio multi optic or reusable optic.
2. Locate the quick release clamp, the optic cover, and the sanitary seal (o-ring).
3. Slide the optic into the cover, with the o-ring creating a seal between the two pieces.
4. Install the quick release clamp over the optic/cover flange and squeeze the clamp until you hear two distinct clicks to tighten.



A0048739

Figure 22. Installing an optic cover and clamp

8 Diagnostics and troubleshooting

Refer to the *Rxn-10 Raman spectroscopic probe Operating Instructions* to troubleshoot issues with the Rxn-10 probe and accessory optics.

www.addresses.endress.com
