



SENTRON, Fuse switch disconnecter 3NP1, 3-pole, NH000, 160 A, for assembly and installation on Mounting plate, box terminal, Cover level 45 mm

| Model | |
|---|---|
| product designation | 3NP1 fuse switch disconnecter |
| design of the safety monitoring | Without |
| design of the load switch strip form | No |
| type of the driving mechanism motor drive | No |
| General technical data | |
| number of poles | 3 |
| type of device | For assembly and installation on mounting plate |
| size of disconnecting link | 000 |
| size of fuse link | NH000 |
| let-through current with closed switch maximum | 15 kA |
| mechanical service life (operating cycles) typical | 2 000 |
| I ² t value with closed switch maximum | 223 kA ² .s |
| power factor | |
| • at AC-22 B | 0.65 |
| • at AC-23 B | 0.45 |
| • with capacitive load | -0.25 |
| fuse system | LV HRC fuse |
| degree of pollution | 3 |
| Voltage | |
| insulation voltage | |
| • rated value | 690 V |
| • with degree of pollution 3 at AC rated value | 690 V |
| • with degree of pollution 2 at AC rated value | 1 000 V |
| power factor at AC-21 B | 0.95 |
| surge voltage resistance rated value | 8 kV |
| operating voltage | |
| • at AC rated value maximum | 690 V |
| • at DC rated value | 440 V |
| • at DC rated value maximum | 440 V |
| Protection class | |
| protection class IP | |
| • with closed switch with cover or cable lug cover | IP40 |
| • with closed switch without cover or cable lug cover | IP30 |
| • open | IP20 |
| Dissipation | |
| power loss [W] | |
| • with conventional rated thermal current without fuse per pole | 5 W |
| • with conventional rated thermal current without fuse per device | 15 W |

| | |
|--|-------|
| <ul style="list-style-type: none"> • for rated value of the current at AC in hot operating state per pole | 14 W |
| <ul style="list-style-type: none"> • of the fuse per fuse maximum | 9 W |
| operational current | |
| <ul style="list-style-type: none"> • at 35 °C rated value | 160 A |
| <ul style="list-style-type: none"> • at 40 °C rated value | 150 A |
| <ul style="list-style-type: none"> • at 45 °C rated value | 140 A |
| <ul style="list-style-type: none"> • at 50 °C rated value | 130 A |
| <ul style="list-style-type: none"> • at 55 °C rated value | 120 A |
| <ul style="list-style-type: none"> • at AC-21 B at 240 V rated value | 160 A |
| <ul style="list-style-type: none"> • at AC-21 B at 400 V rated value | 160 A |
| <ul style="list-style-type: none"> • at AC-21 B at 500 V rated value | 160 A |
| <ul style="list-style-type: none"> • at AC-21 B at 690 V rated value | 160 A |
| <ul style="list-style-type: none"> • at AC-22 B at 240 V rated value | 160 A |
| <ul style="list-style-type: none"> • at AC-22 B at 400 V rated value | 160 A |
| <ul style="list-style-type: none"> • at AC-22 B at 500 V rated value | 125 A |
| <ul style="list-style-type: none"> • at AC-22 B at 690 V rated value | 50 A |
| <ul style="list-style-type: none"> • at AC-23 B at 690 V rated value | 25 A |
| <ul style="list-style-type: none"> • at AC-23 B at 500 V rated value | 40 A |
| <ul style="list-style-type: none"> • at AC-23 B at 400 V rated value | 160 A |
| <ul style="list-style-type: none"> • at AC-23 B at 240 V rated value | 160 A |
| <ul style="list-style-type: none"> • at DC-21 B at 120 V rated value | 160 A |
| <ul style="list-style-type: none"> • at DC-21 B at 240 V rated value | 160 A |
| <ul style="list-style-type: none"> • at DC-21 B at 440 V rated value | 100 A |
| <ul style="list-style-type: none"> • at DC-22 B at 120 V rated value | 100 A |
| <ul style="list-style-type: none"> • at DC-22 B at 240 V rated value | 100 A |
| <ul style="list-style-type: none"> • at DC-22 B at 440 V rated value | 50 A |
| <ul style="list-style-type: none"> • at DC-23 B at 120 V rated value | 80 A |
| <ul style="list-style-type: none"> • at DC-23 B at 240 V rated value | 80 A |
| <ul style="list-style-type: none"> • at DC-23 B at 440 V rated value | 25 A |
| let-through current with high-speed activation maximum permissible | 10 kA |
| Main circuit | |
| operational current | |
| <ul style="list-style-type: none"> • rated value | 125 A |
| <ul style="list-style-type: none"> • with capacitive load at 400 V rated value | 72 A |
| <ul style="list-style-type: none"> • with capacitive load at 500 V rated value | 55 A |
| Auxiliary circuit | |
| number of CO contacts for auxiliary contacts | 0 |
| number of NC contacts for auxiliary contacts | 0 |
| number of NO contacts for auxiliary contacts | 0 |
| Suitability | |
| suitability for use | |
| <ul style="list-style-type: none"> • main switch | No |
| <ul style="list-style-type: none"> • switch disconnecter | Yes |
| <ul style="list-style-type: none"> • EMERGENCY OFF switch | No |
| <ul style="list-style-type: none"> • safety switch | Yes |
| <ul style="list-style-type: none"> • maintenance/repair switch | Yes |
| Product details | |
| product component | |
| <ul style="list-style-type: none"> • undervoltage release | No |
| <ul style="list-style-type: none"> • undervoltage release with leading contact | No |
| product feature sealable | Yes |
| product extension auxiliary switch | Yes |
| product extension optional | |
| <ul style="list-style-type: none"> • locking capability | Yes |
| <ul style="list-style-type: none"> • phase failure monitoring | Yes |
| <ul style="list-style-type: none"> • fuse monitoring | Yes |
| <ul style="list-style-type: none"> • voltage trigger | No |
| <ul style="list-style-type: none"> • overvoltage protection monitoring | Yes |
| Product function | |

| | |
|--|---|
| product function overvoltage protection monitoring | No |
| Connections | |
| arrangement of electrical connectors for main current circuit | other |
| connectable conductor cross-section for main contacts | |
| <ul style="list-style-type: none"> • solid or stranded minimum • solid or stranded maximum • finely stranded with core end processing minimum • finely stranded with core end processing maximum • stranded minimum • stranded maximum | 1.5 mm ² 50 mm ² 1.5 mm ² 35 mm ² 1.5 mm ² 50 mm ² |
| tightening torque with screw-type terminals | |
| <ul style="list-style-type: none"> • minimum • maximum | 3.5 N·m 4 N·m |
| type of connectable conductor cross-sections of the laminated conductors maximum | 8 x 8 mm |
| type of connection technology | Box terminal |

| | |
|---|---------------------|
| Mechanical Design | |
| height | 141.7 mm |
| width | 88.8 mm |
| depth | 74.1 mm |
| fastening method | mounting plate |
| fastening method | |
| <ul style="list-style-type: none"> • floor mounting • rail mounting | Yes No |
| mounting position | horizontal/vertical |
| net weight | 0.47 kg |

| | |
|--|-----------------|
| Environmental conditions | |
| ambient temperature during operation | |
| <ul style="list-style-type: none"> • minimum • maximum | -25 °C 55 °C |
| ambient temperature during storage | |
| <ul style="list-style-type: none"> • minimum • maximum | -50 °C 80 °C |

| | |
|---|---|
| Certificates | |
| reference code according to IEC 81346-2 | Q |

General Product Approval



[Confirmation](#)



[Miscellaneous](#)



| | | |
|----------------------------------|--------------------------|--------------------------|
| Declaration of Conformity | Test Certificates | Marine / Shipping |
|----------------------------------|--------------------------|--------------------------|



[Special Test Certificate](#)

[Type Test Certificates/Test Report](#)



| | |
|--------------|--------------------|
| other | Environment |
|--------------|--------------------|

[Confirmation](#)

[Miscellaneous](#)

[Environmental Confirmations](#)

Further information

Siemens has decided to exit the Russian market (see here).
<https://press.siemens.com/global/en/pressrelease/siemens-wind-down-russian-business>

Siemens is working on the renewal of the current EAC certificates.

Please contact your local Siemens office on the status of validity of the EAC certification if you intend to import or offer to supply these products to an

EAC relevant market (other than the sanctioned EAEU member states Russia or Belarus).

Information on the packaging

<https://support.industry.siemens.com/cs/ww/en/view/109813875>

Information- and Downloadcenter (Catalogs, Brochures,...)

<http://www.siemens.com/lowvoltage/catalogs>

Industry Mall (Online ordering system)

<http://mall.industry.siemens.com/mall/en/en/Catalog/product?mlfb=3NP1123-1CA20>

Service&Support (Manuals, Certificates, Characteristics, FAQs,...)

<https://support.industry.siemens.com/cs/ww/en/ps/3NP1123-1CA20>

Image database (product images, 2D dimension drawings, 3D models, device circuit diagrams, ...)

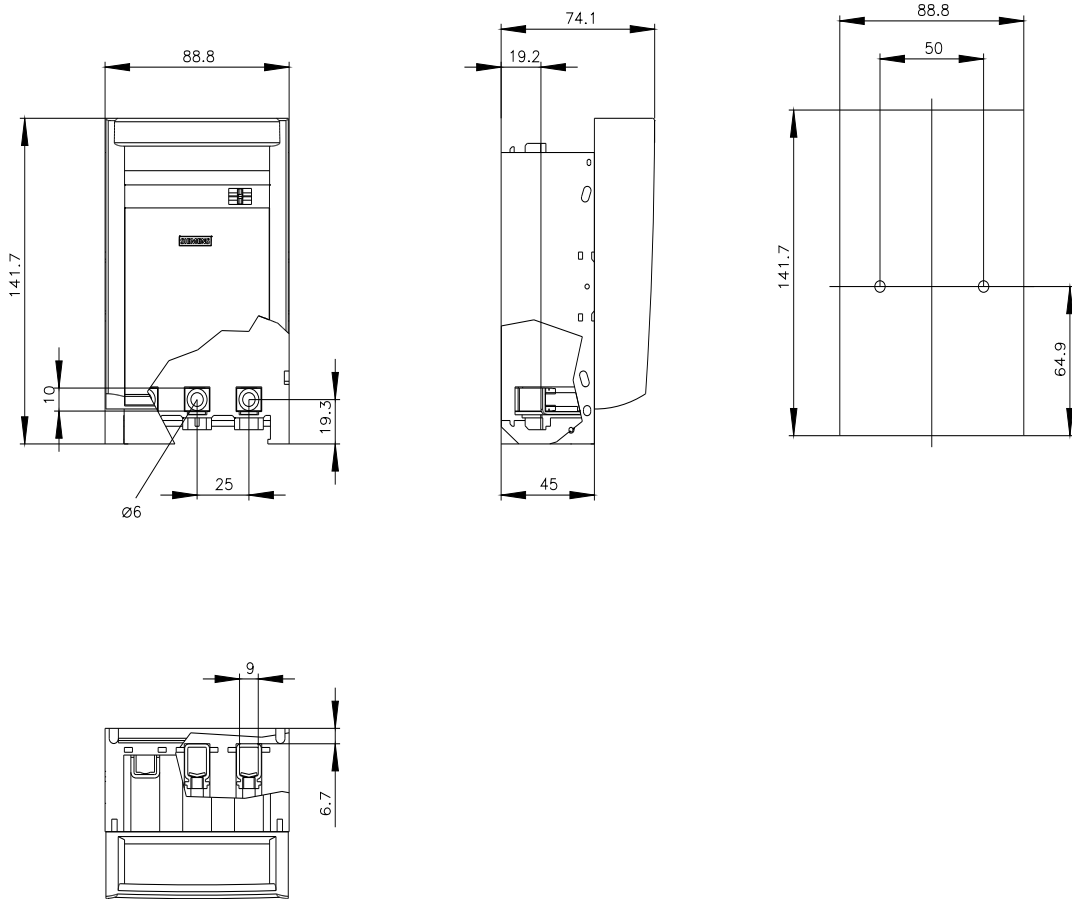
http://www.automation.siemens.com/bilddb/cax_en.aspx?mlfb=3NP1123-1CA20

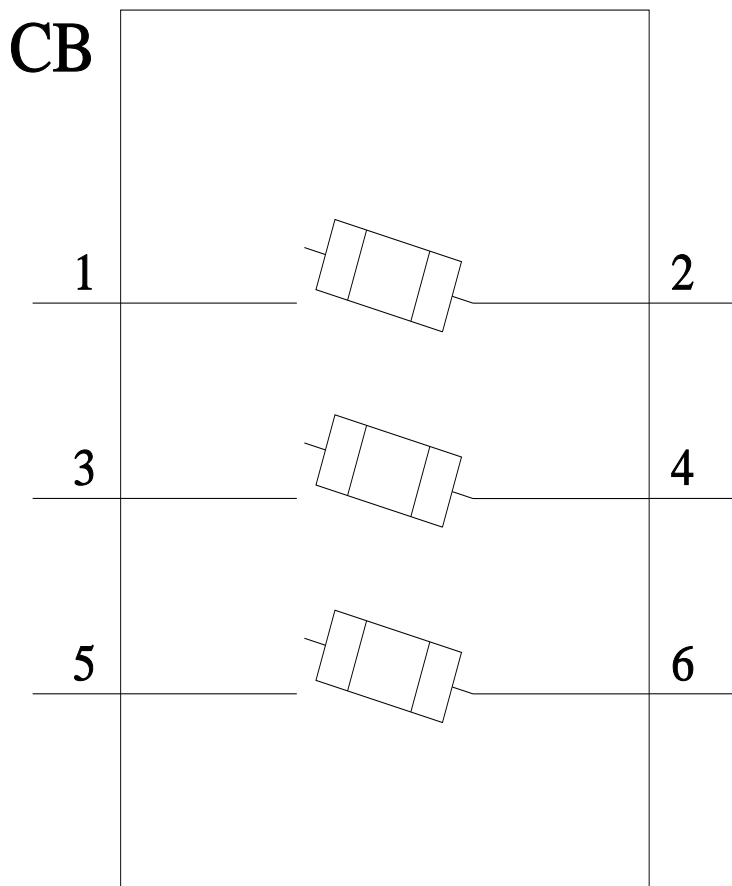
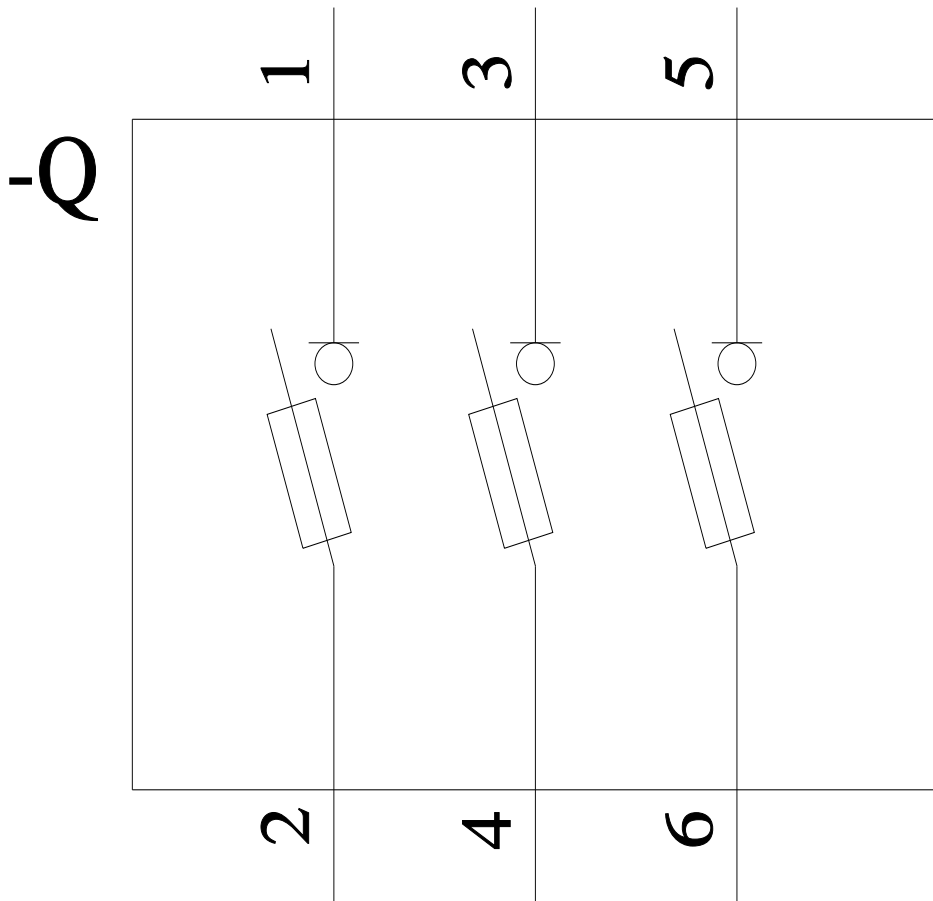
CAX-Online-Generator

<http://www.siemens.com/cax>

Tender specifications

<http://www.siemens.com/specifications>





last modified:

8/26/2022 

