



PORTLAND

Piazzetta  design

# PORTLAND

Gas burning fireplace with handmade majolica surround.

SURROUND WEIGHT: 35 kg

GAS BURNING (NATURAL GAS OR LPG) IG 50

INLET: in grey enamelled steel

FIREBOX: in Aluker®

GLASS: ceramic heat resistant up to 750°C

FUNCTION CONTROL: remote control

CERAMIC LOGS: standard supply

HEATING: convection and radiation

CEILING FLUE GAS OUTLET:

concentric pipe Ø 10/15 cm

WALL FLUE GAS OUTLET:

concentric pipe Ø 10/15 cm

FIREBOX HEAT OUTPUT: 10 kW (Natural gas)

9.5 kW (LPG)

THERMAL EFFICIENCY: 74% (Natural gas)

74% (LPG)

CONSUMPTION AT RATED HEAT OUTPUT:

0,95 m<sup>3</sup>/h (Natural gas)

720 g/h (LPG)

WEIGHT: 125 kg

RATED HEAT OUTPUT: 8.3 kW (Natural gas)

7.3 kW (LPG)

TYPE-EXAMINATION: EC certification E0780

OPTIONAL ACCESSORIES:

- river pebles
- height regulation kit

GAS BURNING (NATURAL GAS OR LPG) IG 50 B

INLET: in grey enamelled steel

FIREBOX: in Aluker®

GLASS: ceramic heat resistant up to 750°C

FUNCTION CONTROL: remote control

CERAMIC LOGS: standard supply

HEATING: convection

and radiation

CEILING FLUE GAS OUTLET:

concentric pipe Ø 10/15 cm

WALL FLUE GAS OUTLET:

concentric pipe Ø 10/15 cm

FIREBOX HEAT OUTPUT: 9.5 kW (Natural gas)

6.8 kW (LPG)

THERMAL EFFICIENCY: 80% (Natural gas)

75% (LPG)

CONSUMPTION AT RATED HEAT OUTPUT:

0,91 m<sup>3</sup>/h (Natural gas)

510 g/h (LPG)

WEIGHT: 119 kg

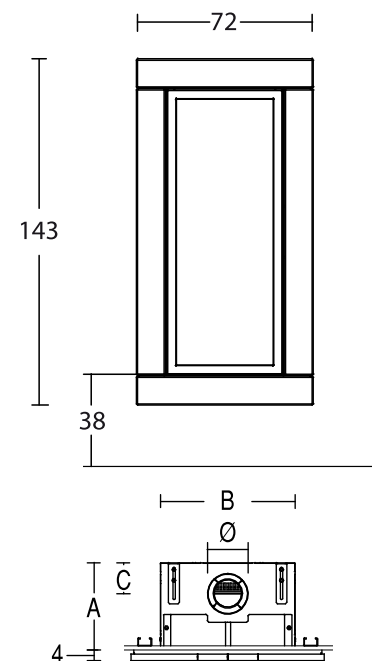
RATED HEAT OUTPUT: 8.3 kW (Natural gas)

7.3 kW (LPG)

TYPE-EXAMINATION: EC certification E0780

OPTIONAL ACCESSORIES:

- river pebles
- height regulation kit



DIMENSIONI:

	IG50	IG50B
A	32	37,5
B	50	68
C	11	19
Ø	15	15

Measurements expressed in cm