

SHUTTLE

Piazzetta  design



# SHUTTLE

Piazzetta  DESIGN

Gas fireplace with handmade majolica surround; hearth riser and trims in shot-peened steel.

SURROUND WEIGHT: 54 kg

GAS BURNING (NATURAL GAS OR LPG) IG 70

INLET: in grey enamelled steel

FIREBOX: in Aluker®

GLASS: ceramic heat resistant up to 750°C

FUNCTION CONTROL: remote control

CERAMIC LOGS: standard supply

HEATING: convection and radiation

FLUE GAS OUTLET: concentric pipe Ø 10/15 cm

FIREBOX HEAT OUTPUT: 8,3 kW (Natural gas)

8,5 kW (LPG)

THERMAL EFFICIENCY: 80% (Natural gas)

75% (LPG)

CONSUMPTION AT RATED HEAT OUTPUT:

0,79 m<sup>3</sup>/h (Natural gas)

640 g/h (LPG)

WEIGHT: 75 kg

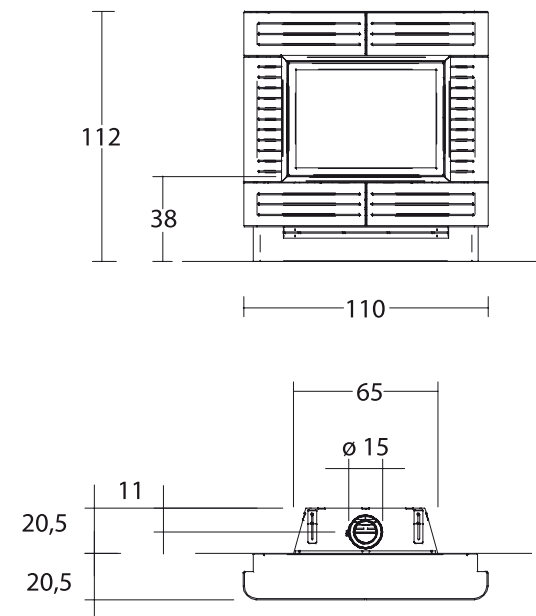
RATED HEAT OUTPUT: 6 kW (Natural gas)

5,7 kW (LPG)

TYPE-EXAMINATION: EC certification E0780

OPTIONAL ACCESSORIES:

- river pebles
- height regulation kit



Measurements expressed in cm

[www.piazzettdesign.com](http://www.piazzettdesign.com)